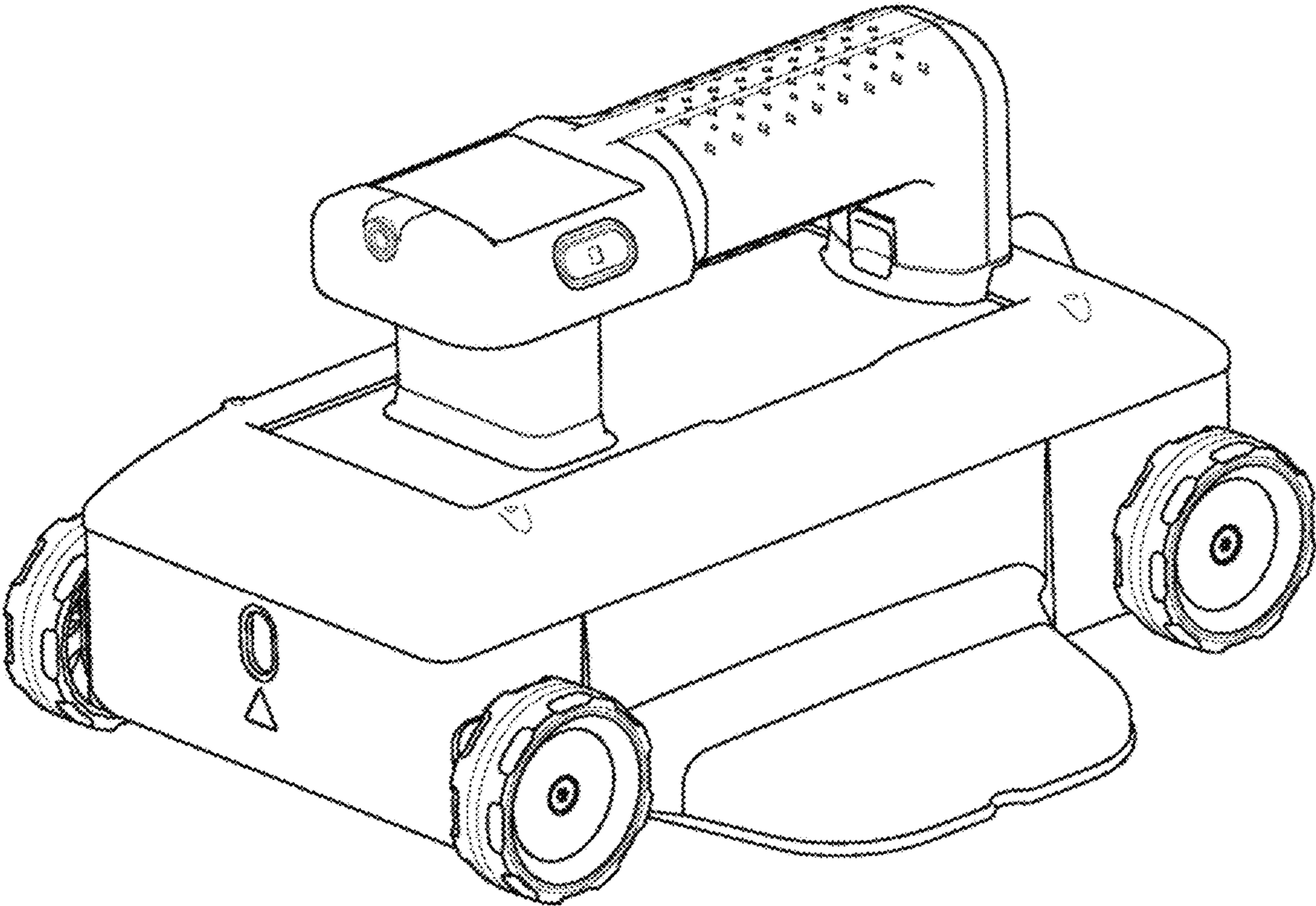
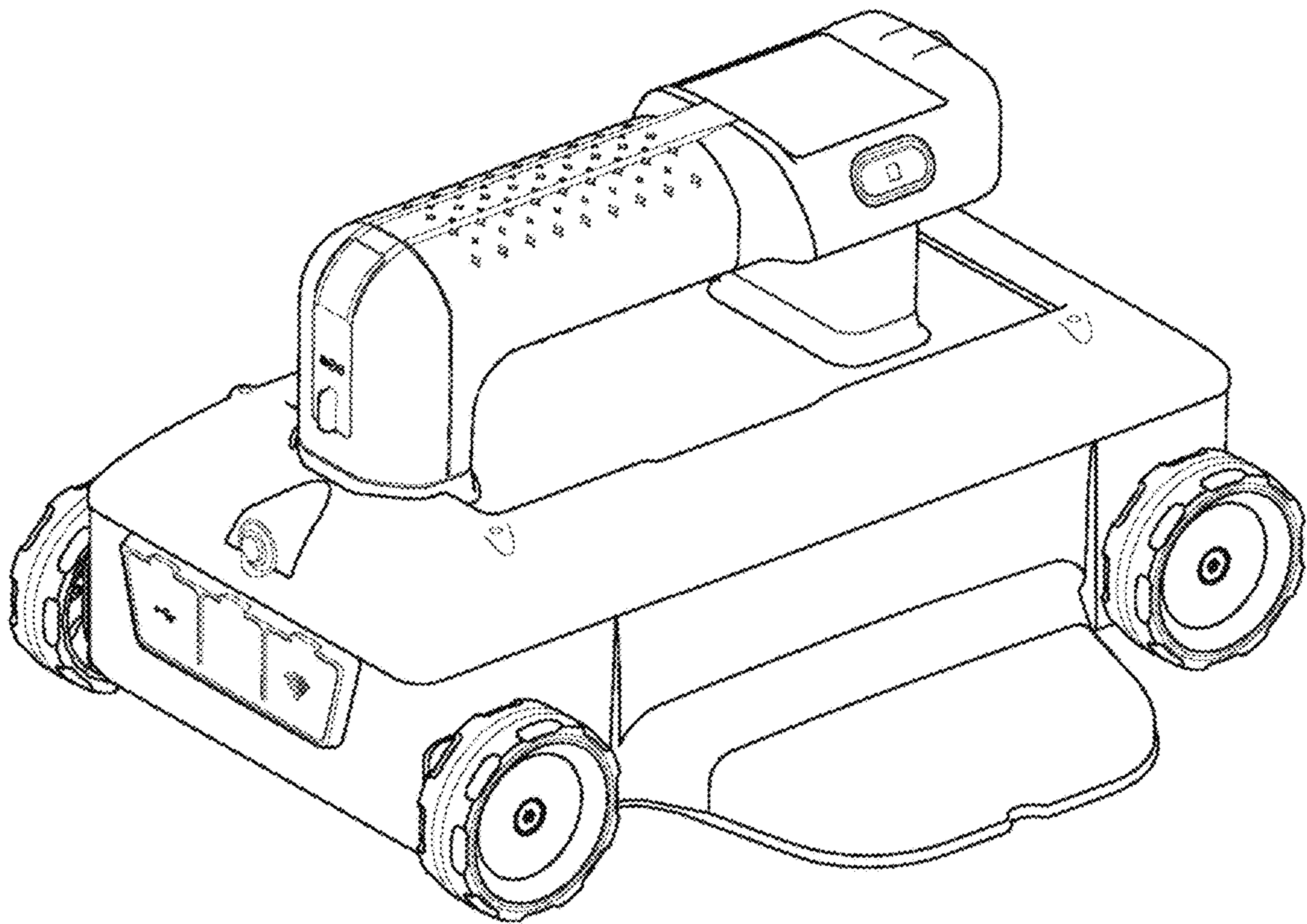


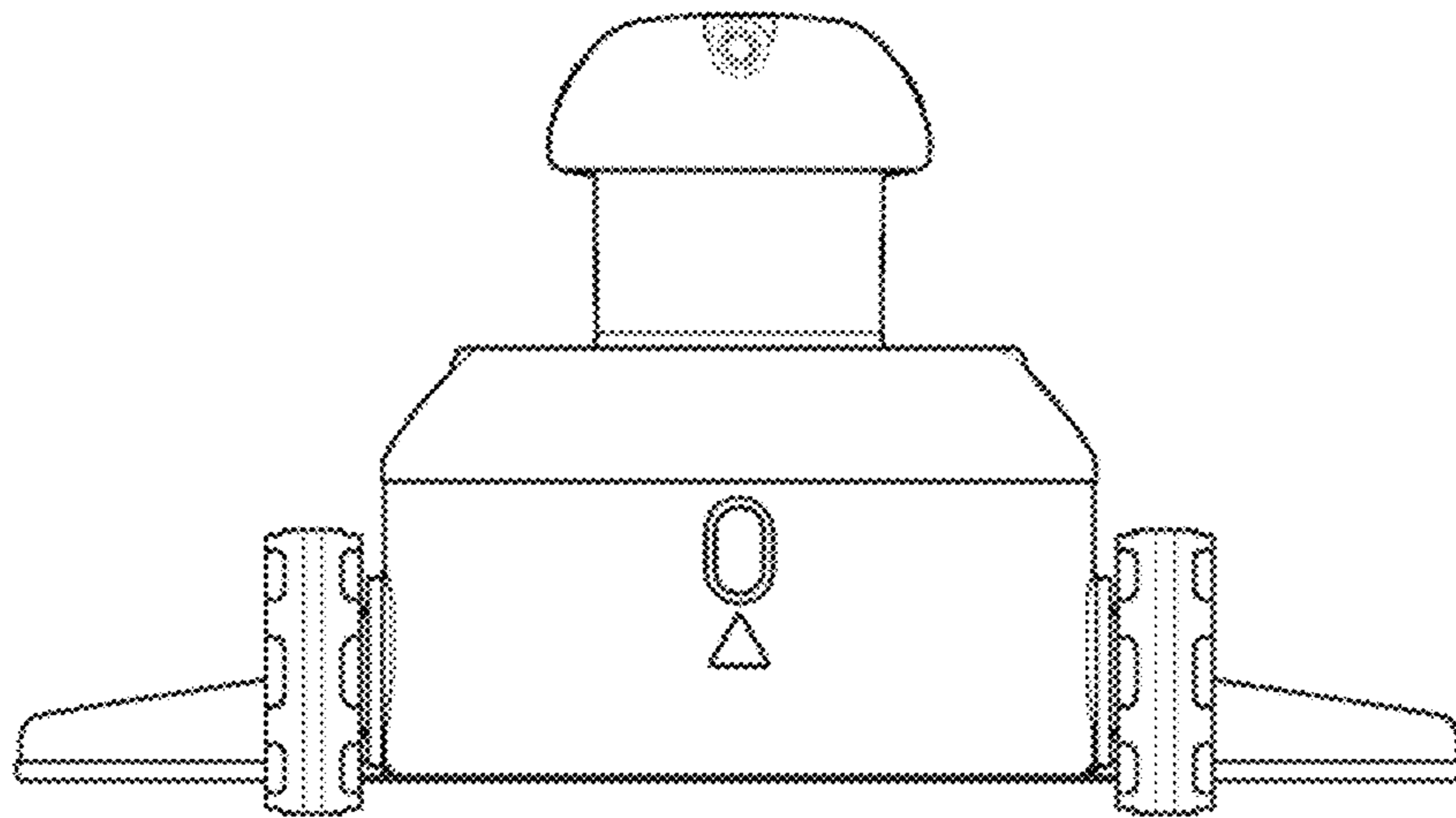
1.1



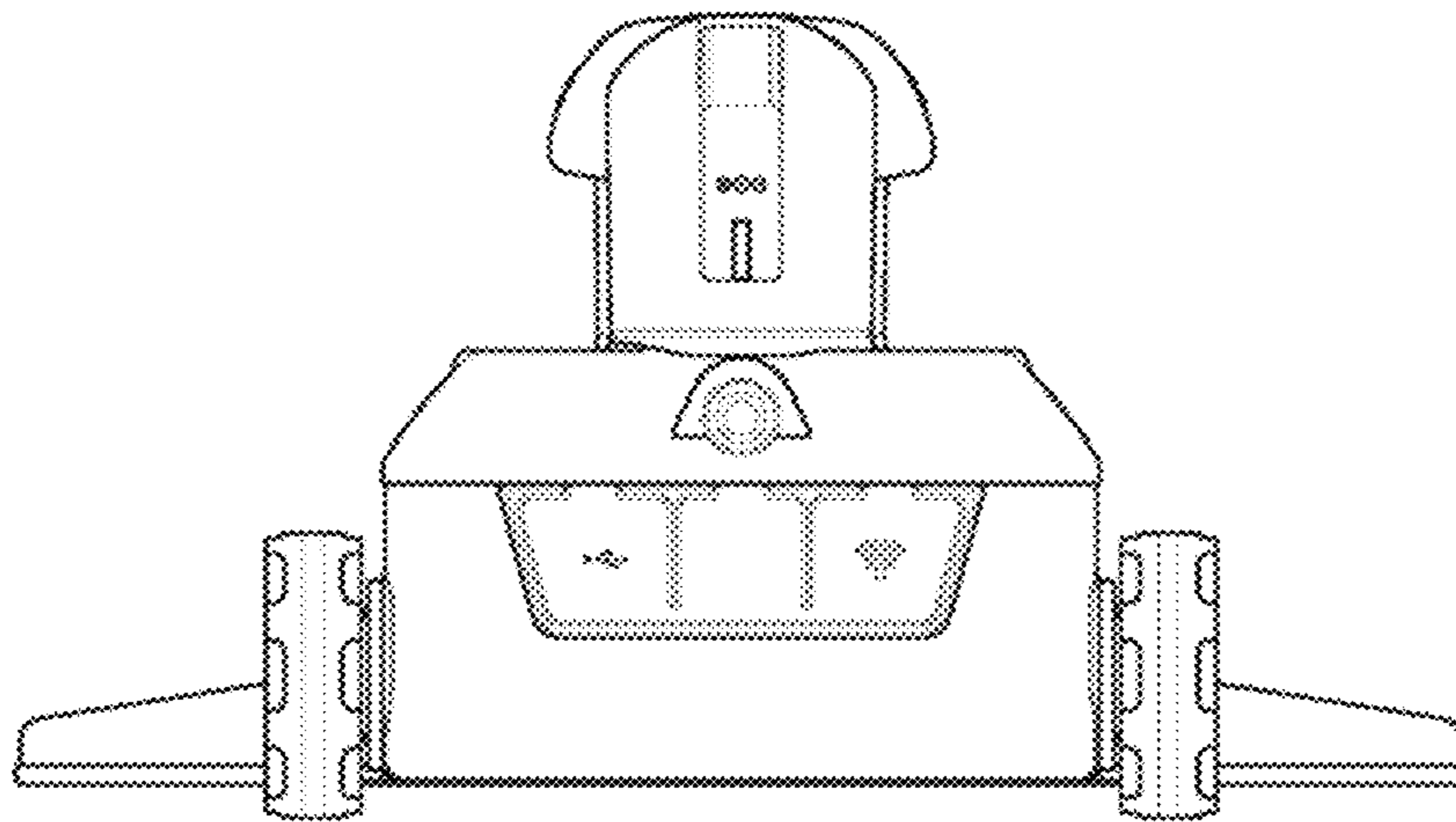
1.2



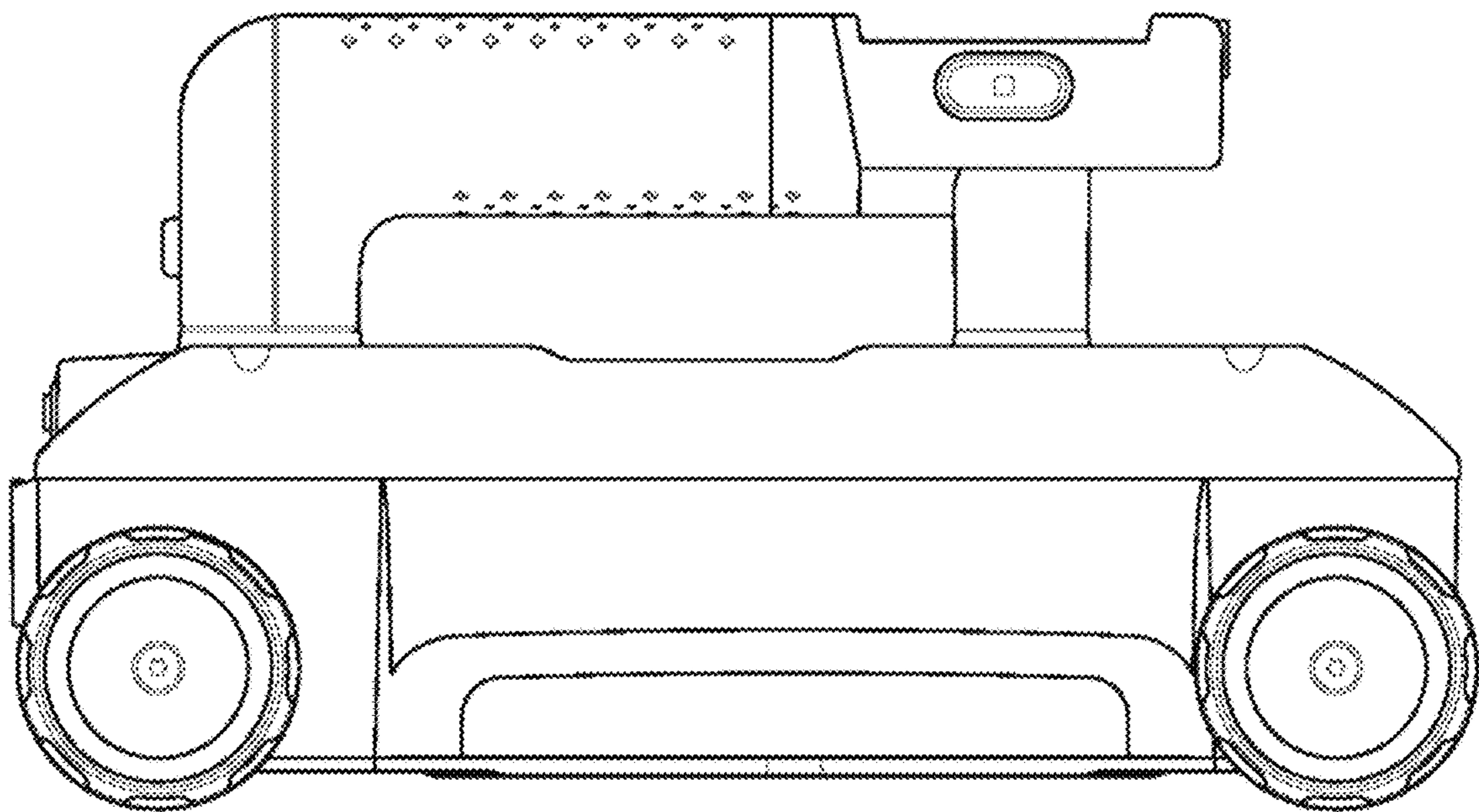
1.3



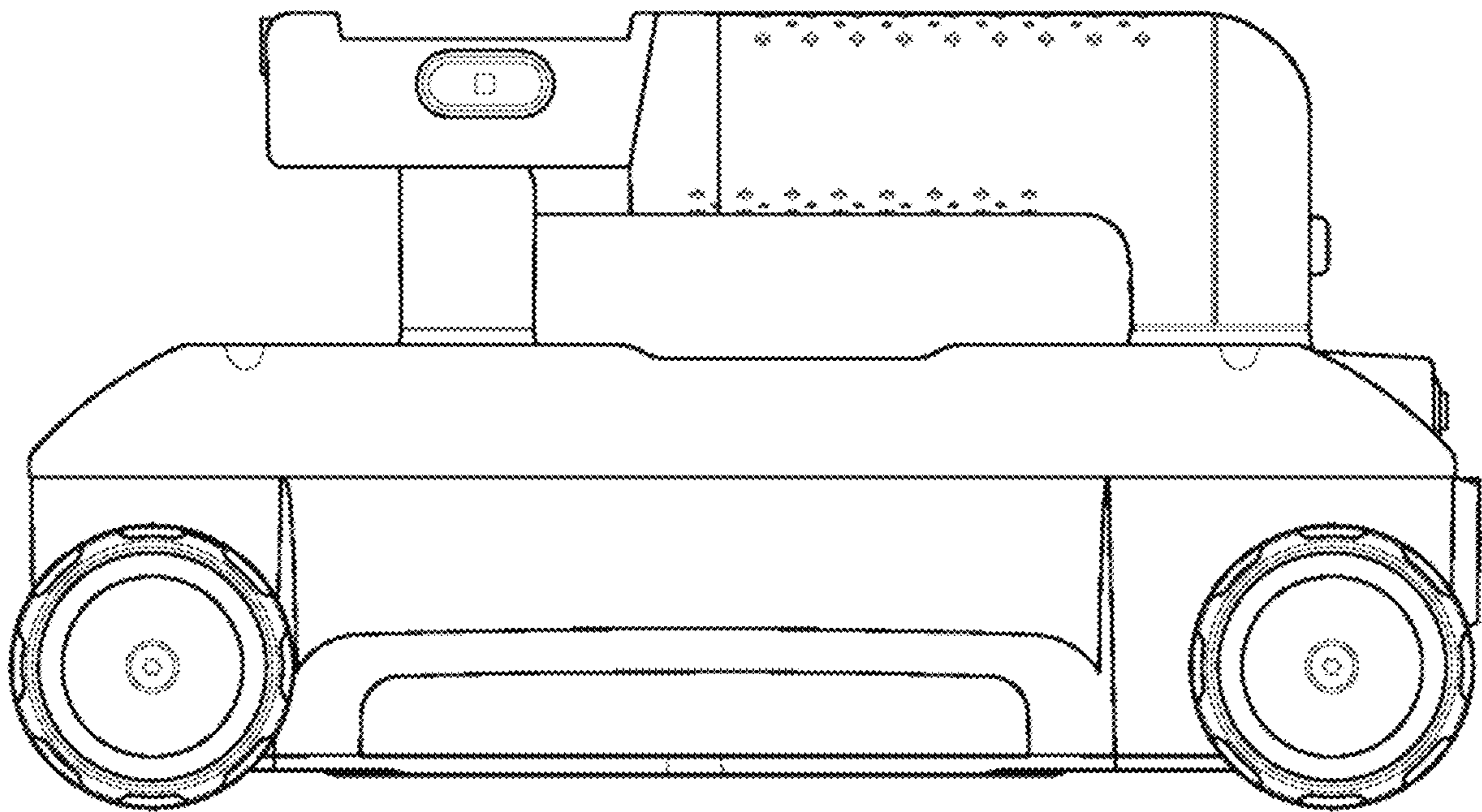
1.4



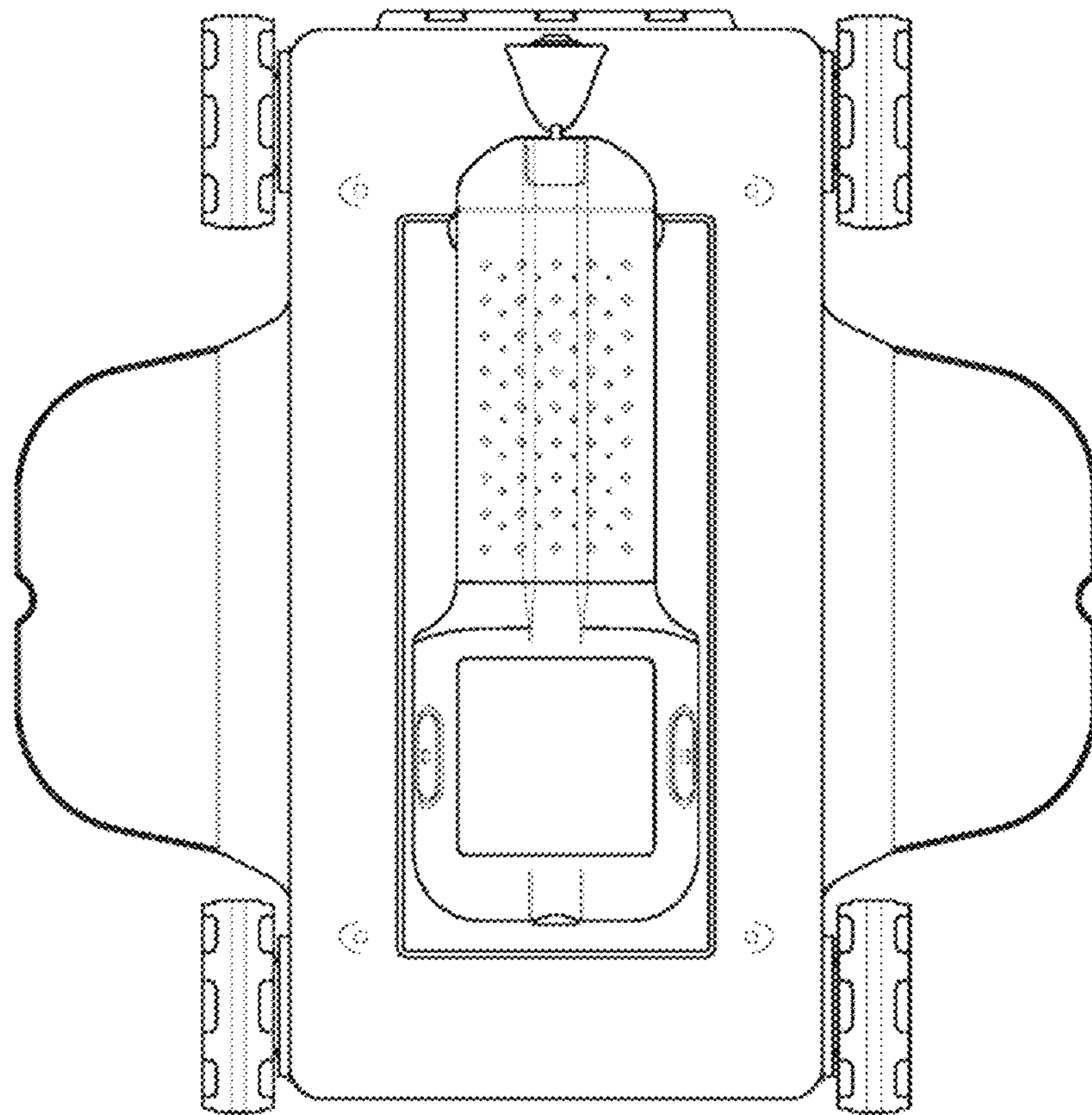
1.5



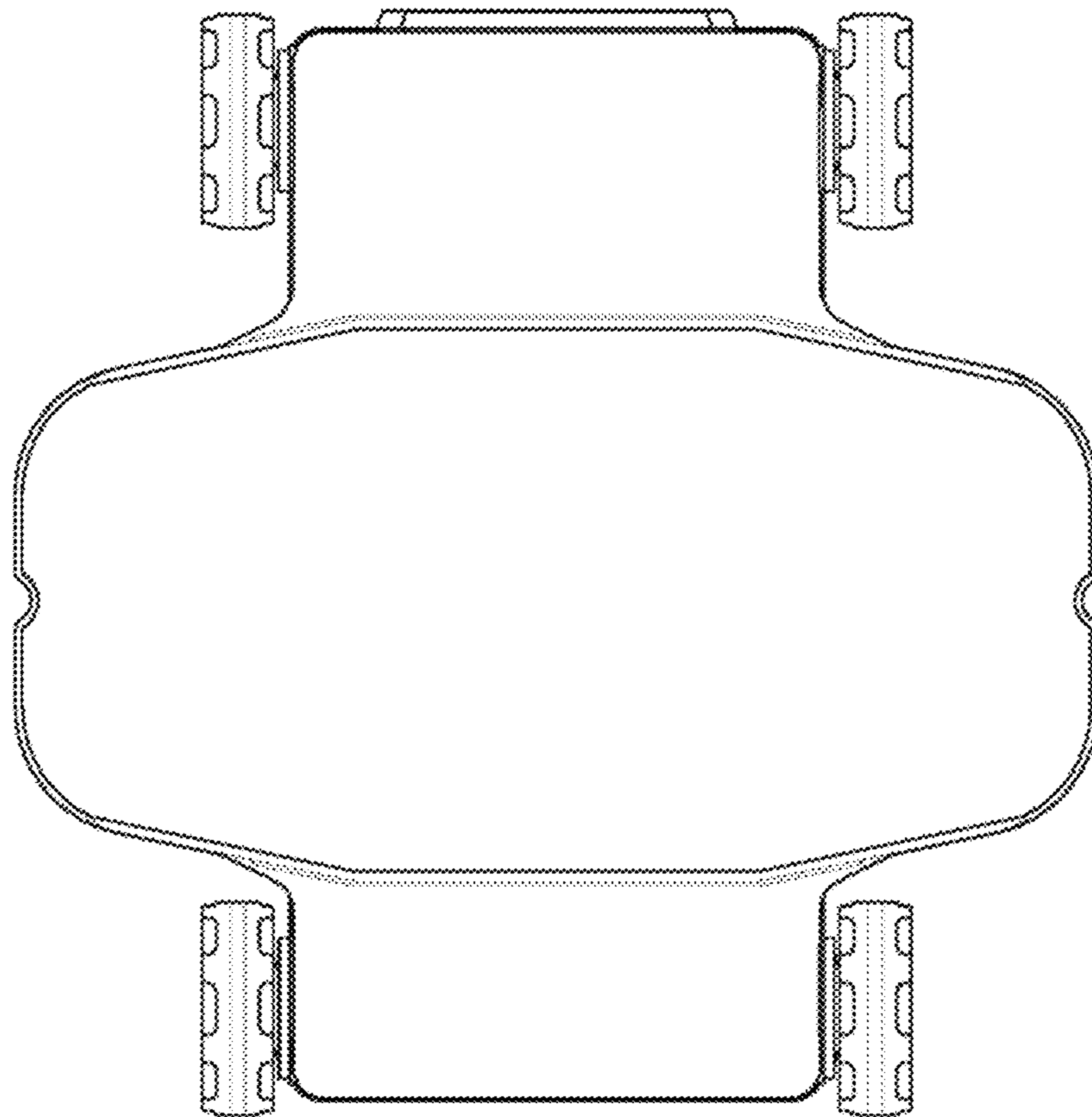
1.6



1.7



1.8



UNITED STATES PATENT AND TRADEMARK OFFICE
CERTIFICATE OF CORRECTION

PATENT NO. : D921,498 S
APPLICATION NO. : 35/508914
DATED : June 8, 2021
INVENTOR(S) : Ralph Mennicke et al.

Page 1 of 1

It is certified that error appears in the above-identified patent and that said Letters Patent is hereby corrected as shown below:

On the Title Page

Item (30), add:
-- (30) Foreign Application Priority Data
Feb. 20, 2019 (CH) 144548 --

Signed and Sealed this
Seventeenth Day of August, 2021



Drew Hirshfeld
*Performing the Functions and Duties of the
Under Secretary of Commerce for Intellectual Property and
Director of the United States Patent and Trademark Office*