



US00D921497S

(12) **United States Design Patent**
Zhan et al.

(10) **Patent No.:** **US D921,497 S**

(45) **Date of Patent:** **** Jun. 8, 2021**

(54) **INSPECTION SYSTEM**

D834,724 S * 11/2018 Mathers D24/232
D888,705 S * 6/2020 Saito D14/307
D909,605 S * 2/2021 Mathers D24/232

(71) Applicant: **Baker Hughes Oilfield Operations LLC**, Houston, TX (US)

(72) Inventors: **Yanmin Zhan**, Shanghai (CN); **Najie Jiao**, Shanghai (CN); **Sanmao Xiong**, Xi'an (CN); **Wenhan Fu**, Shanghai (CN); **Xiaoyu Jiang**, Shanghai (CN)

(73) Assignee: **BAKER HUGHES OILFIELD OPERATIONS LLC**, Houston, TX (US)

(**) Term: **15 Years**

(21) Appl. No.: **29/690,204**

(22) Filed: **May 6, 2019**

(51) **LOC (13) Cl.** **10-04**

(52) **U.S. Cl.**
USPC **D10/46; D10/75; D10/81; D10/102; D24/186**

(58) **Field of Classification Search**
USPC D10/46, 49, 75, 81, 102; D13/163; D14/302, 307, 388, 900, 902; D24/185, D24/186, 232, 233, 234
CPC G01N 21/95684; G01N 21/95607
See application file for complete search history.

(56) **References Cited**

U.S. PATENT DOCUMENTS

D556,914 S * 12/2007 Okamoto D24/233
D775,365 S * 12/2016 Mathers D24/232

OTHER PUBLICATIONS

“High Performance X-Ray Inspection Solution”, Baker Hughes a GE Company, Inspection Technologies, Sales Brochure—Micromex and Nanomex, 2019, 1-8.
Electronics Testing Solutions—NDT for Semiconductors, PCBs and More, High-performance premium nanofocus and microfocus inspection for electronics.; <https://www.bakerhughesds.com/industrial-x-ray-ct-scanners/phoenix-micromex-neo-nanomex-neo>, Waygate Technologies, 2021.

* cited by examiner

Primary Examiner — Antoine Duval Davis

(74) *Attorney, Agent, or Firm* — Mintz Levin Cohn Ferris Glovsky and Popeo, PC; Lisa Adams

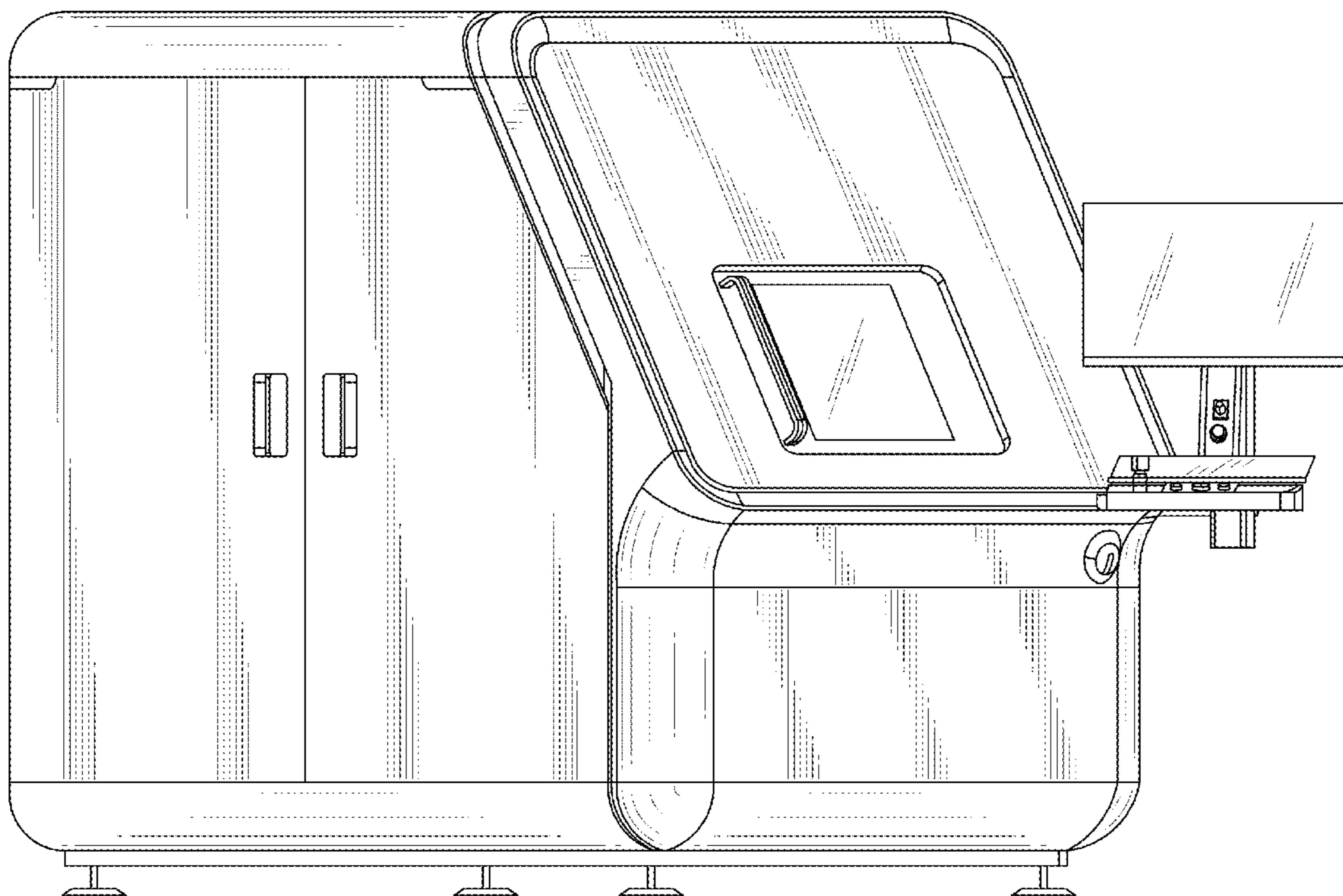
(57) **CLAIM**

The ornamental design for an inspection system, as shown and described.

DESCRIPTION

FIG. 1 is a front view of an inspection system;
FIG. 2 is a side view thereof;
FIG. 3 is another side view thereof;
FIG. 4 is a top view thereof;
FIG. 5 is a bottom view thereof;
FIG. 6 is a front perspective view thereof;
FIG. 7 is a back perspective view thereof; and,
FIG. 8 is another front perspective view thereof.

1 Claim, 8 Drawing Sheets



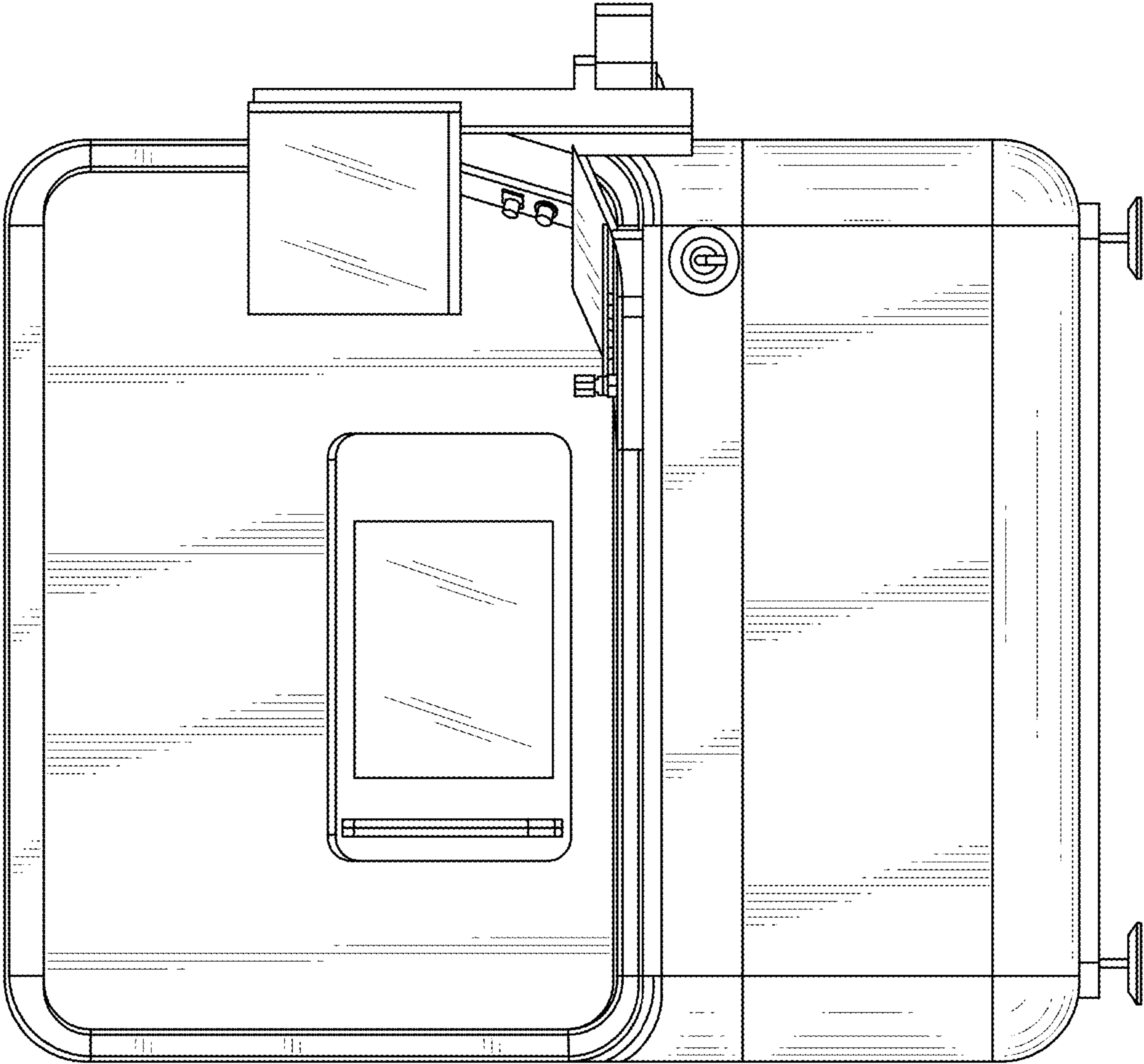


FIG. 1

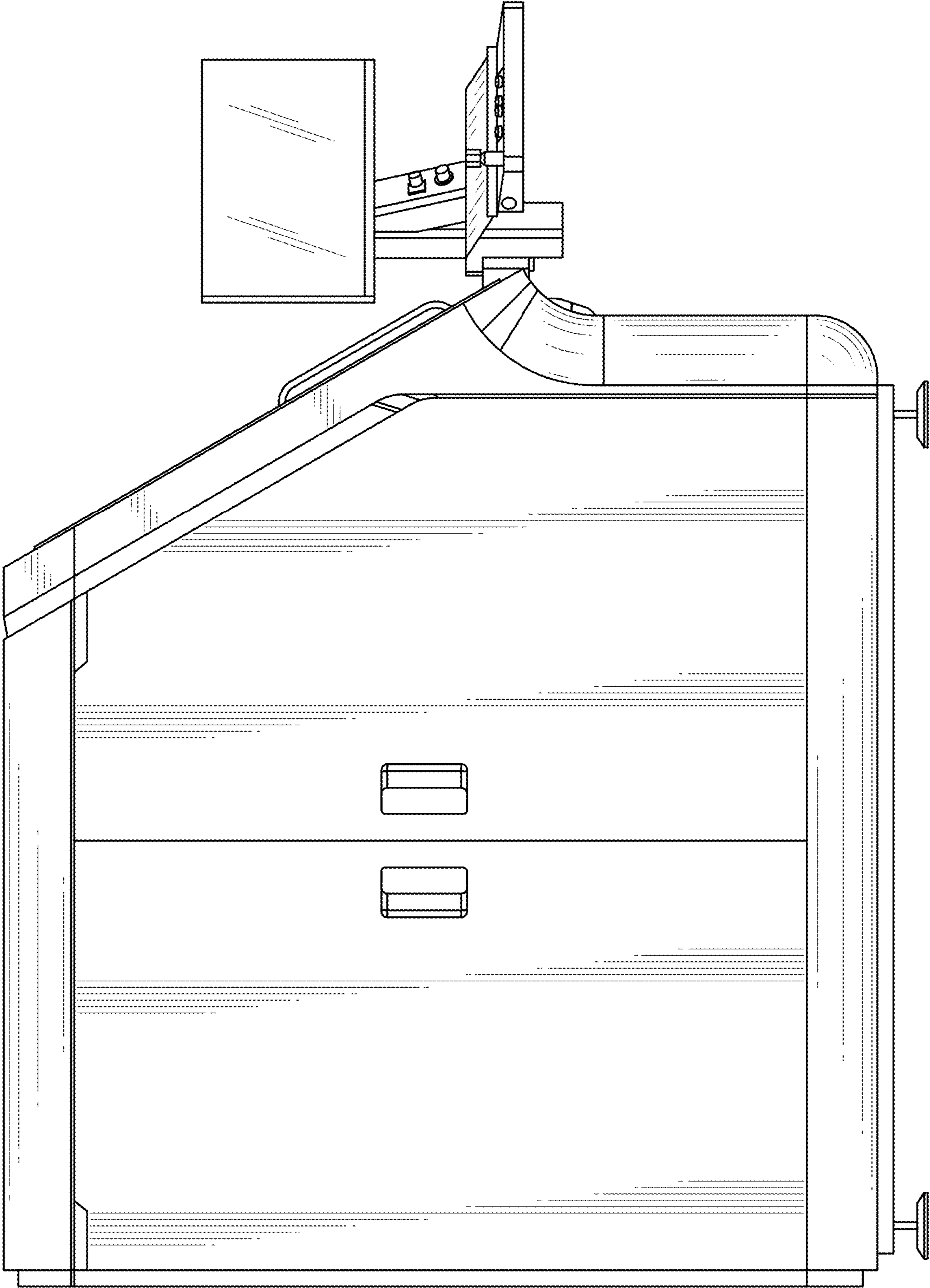


FIG. 2

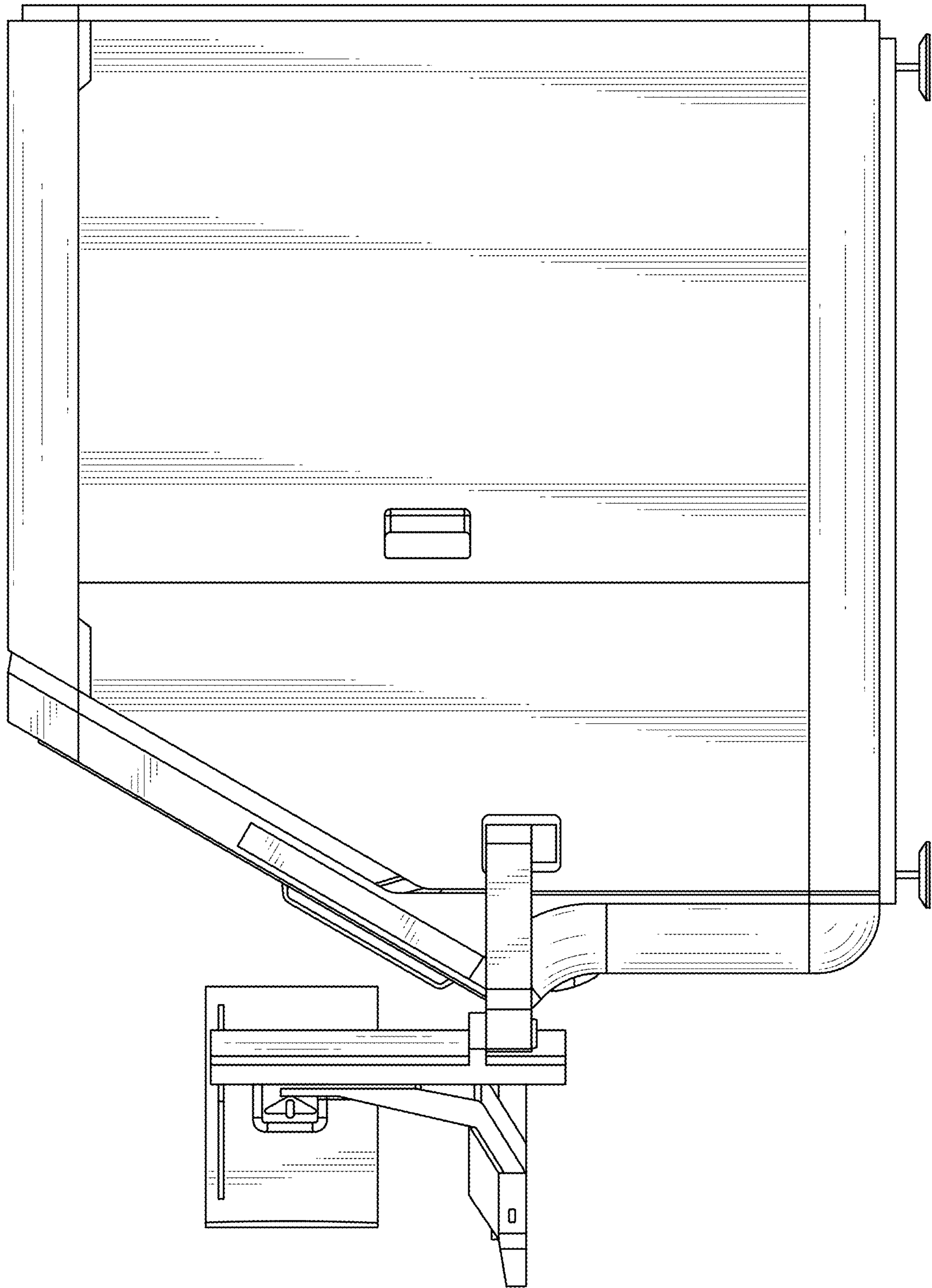


FIG. 3

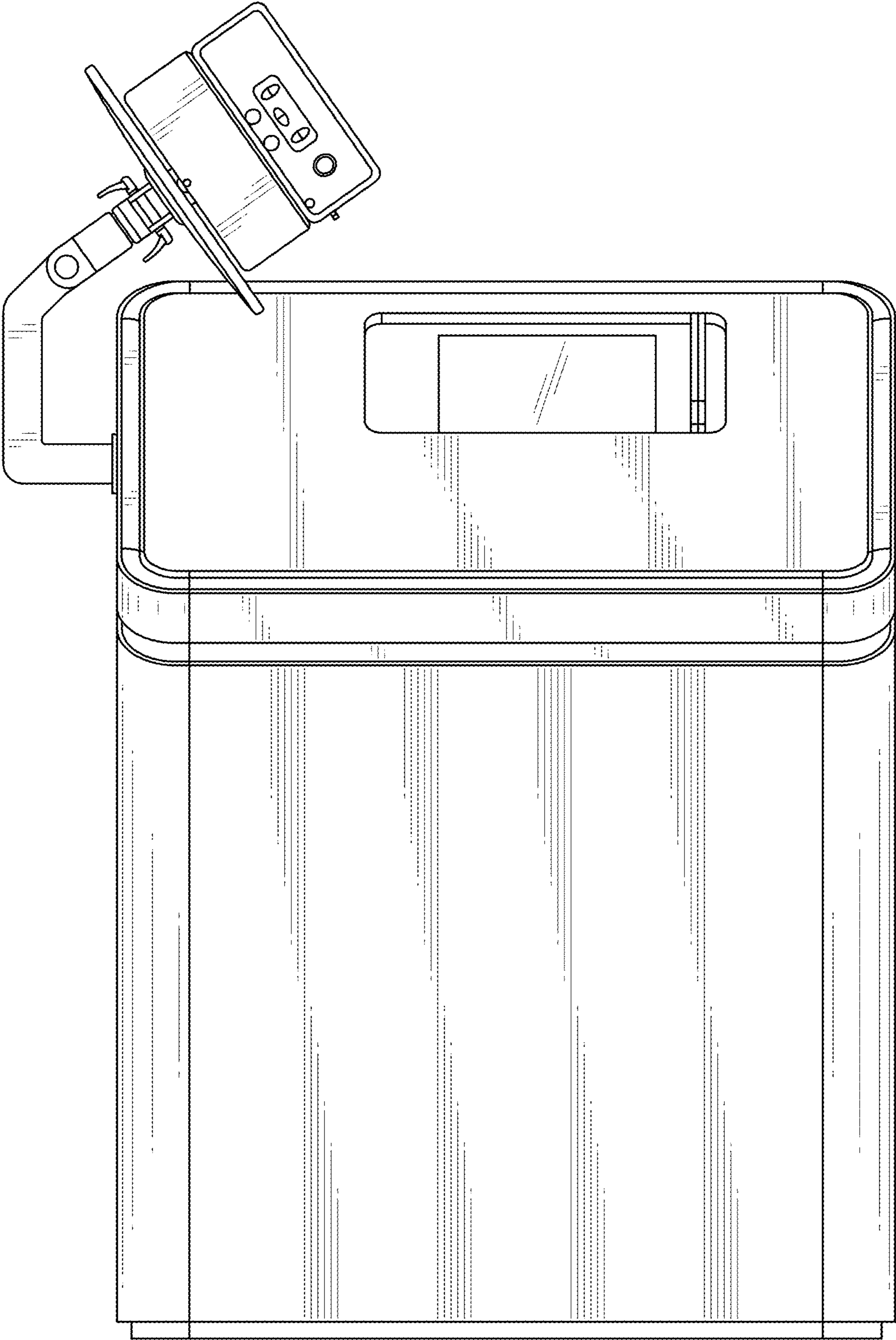


FIG. 4

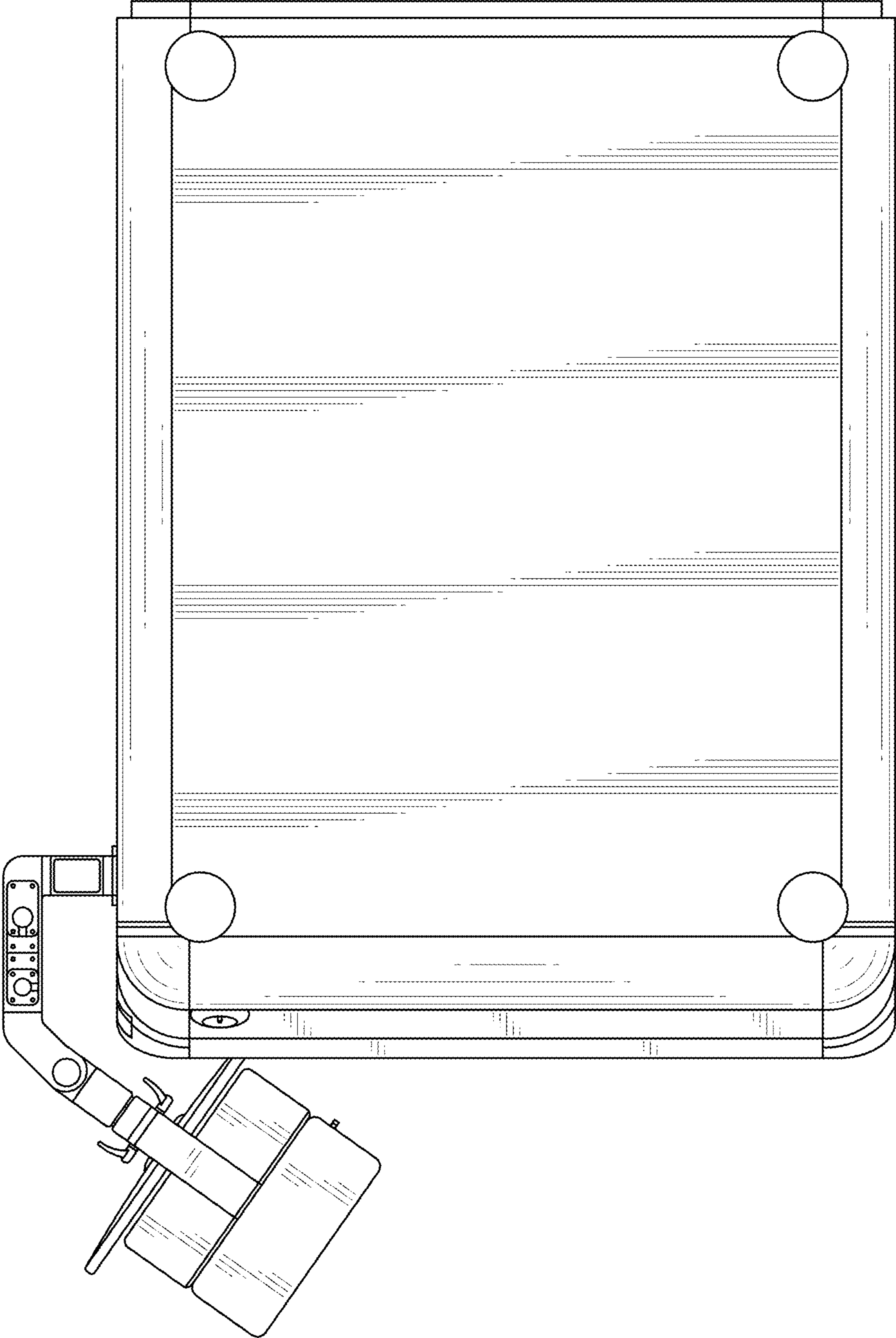


FIG. 5

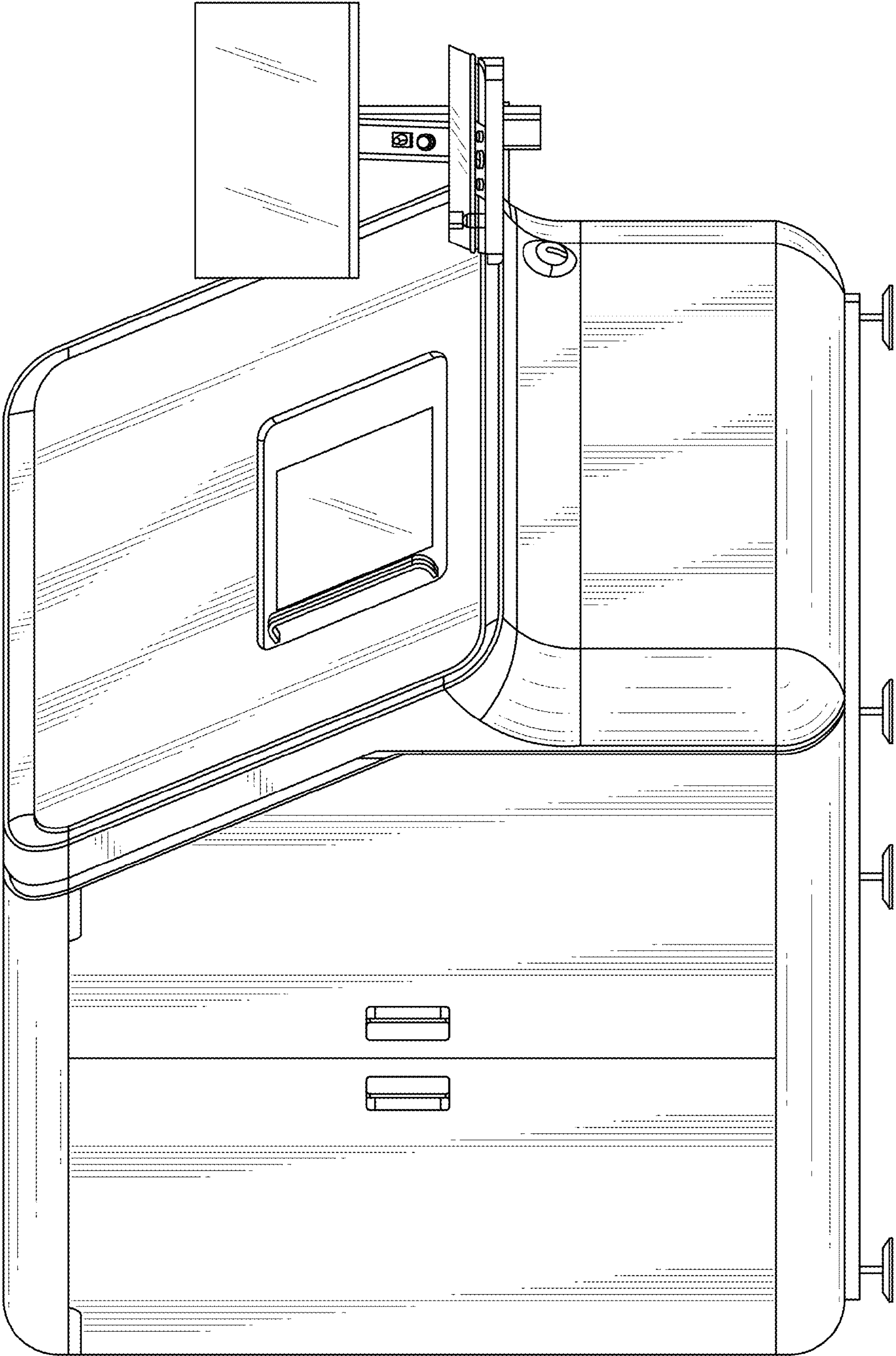


FIG. 6

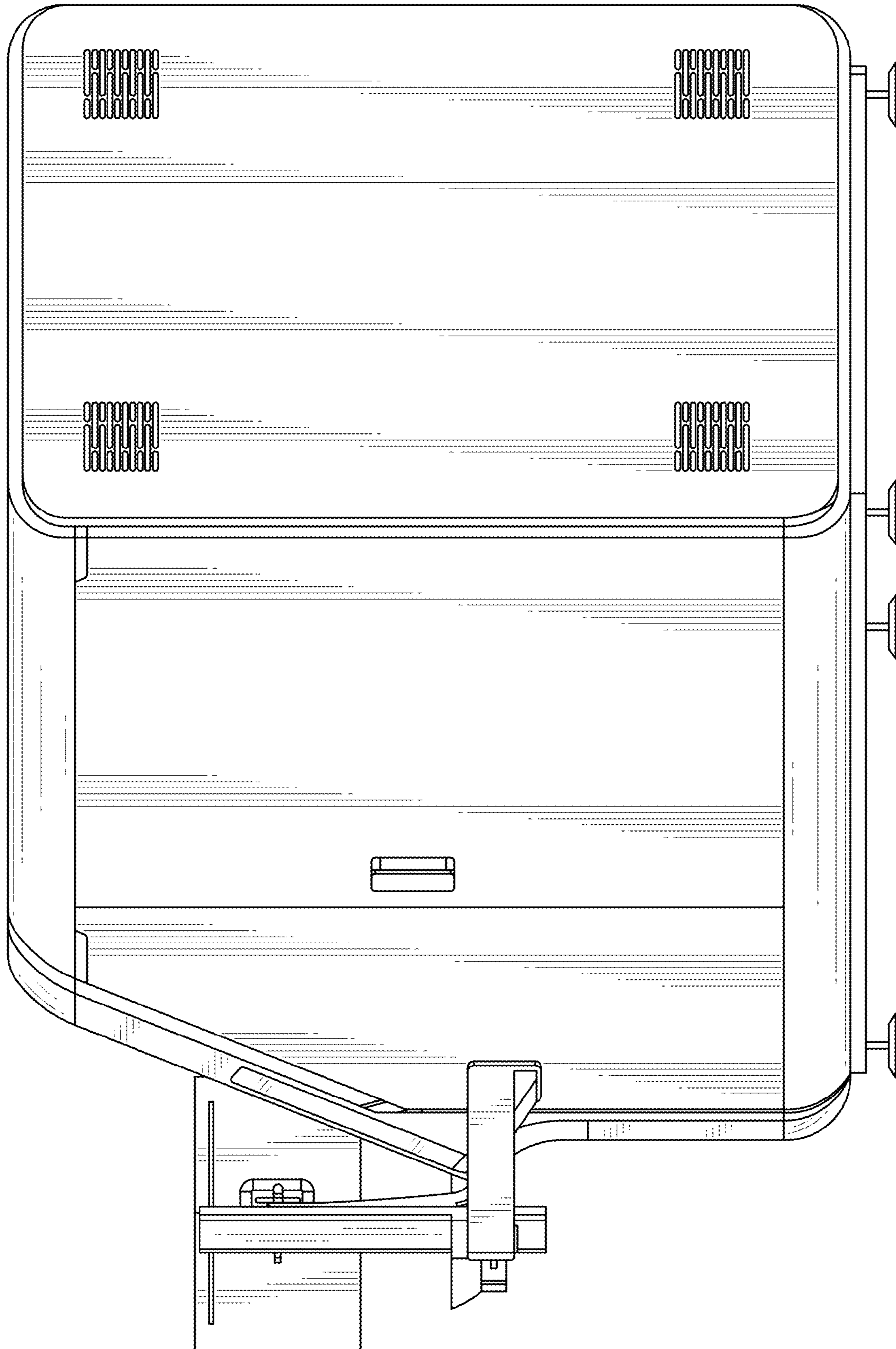


FIG. 7

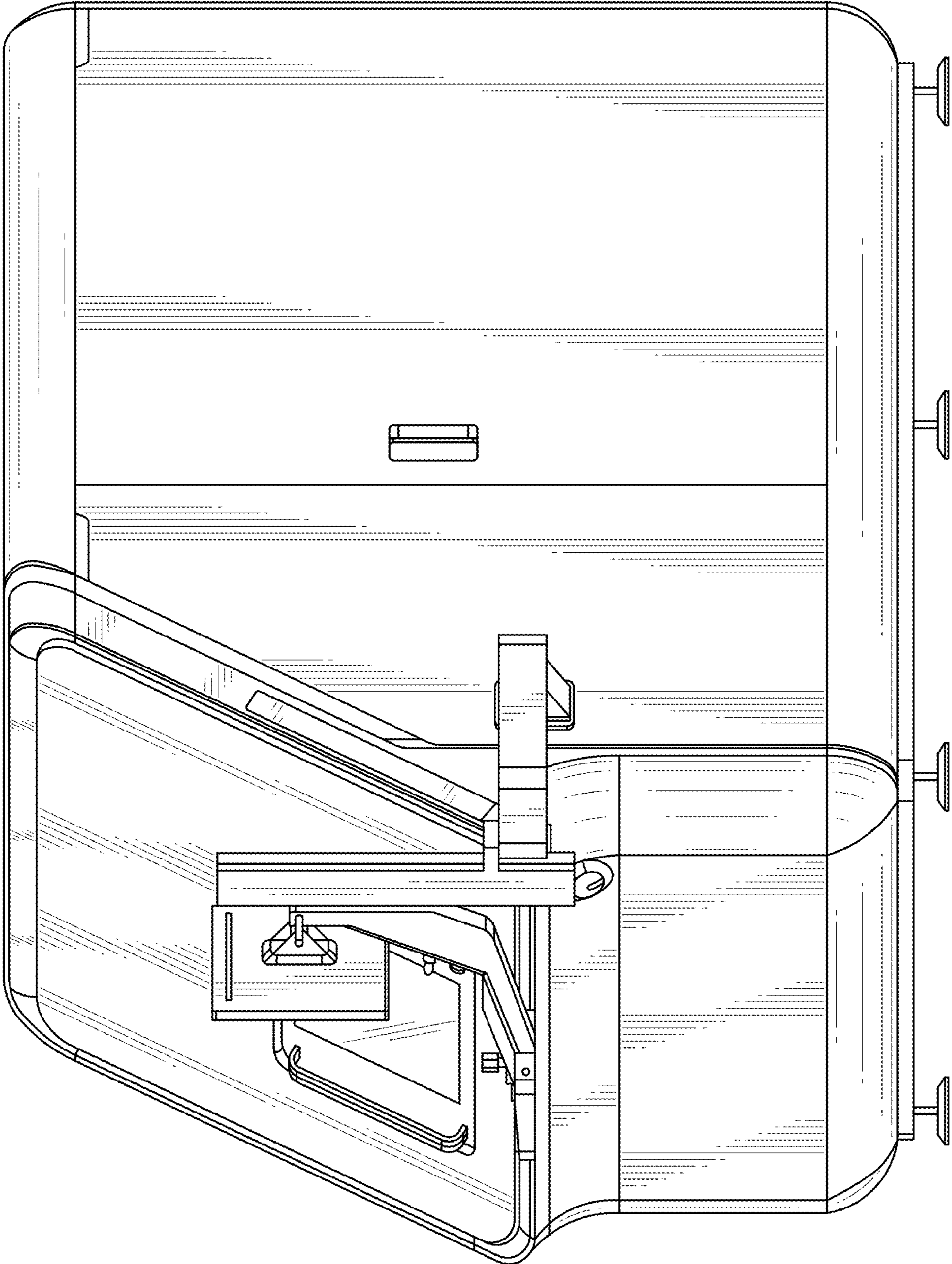


FIG. 8