



US00D921496S

(12) **United States Design Patent**
Behling

(10) **Patent No.:** **US D921,496 S**

(45) **Date of Patent:** **** Jun. 8, 2021**

(54) **WATCH**

(71) Applicant: **LVMH Swiss Manufactures SA**, La
Chaux-de-Fonds (CH)

(72) Inventor: **Christoph Behling**, London (GB)

(**) Term: **15 Years**

(21) Appl. No.: **35/508,777**

(22) Filed: **Sep. 13, 2019**

(80) **Hague Agreement Data**

Int. Filing Date: **Sep. 13, 2019**

Int. Reg. No.: **DM/206242**

Int. Reg. Date: **Sep. 13, 2019**

Int. Reg. Pub. Date: **Mar. 13, 2020**

(30) **Foreign Application Priority Data**

Mar. 14, 2019 (CH) 144576

(51) **LOC (13) Cl.** **10-02**

(52) **U.S. Cl.**
USPC **D10/39**

(58) **Field of Classification Search**

USPC D10/39, 126

CPC G04B 37/22

See application file for complete search history.

(56) **References Cited**

U.S. PATENT DOCUMENTS

D648,230 S * 11/2011 Inoue D10/39

D708,075 S * 7/2014 Mille D10/39

D724,962 S *	3/2015	Vaptzarof	D10/39
D756,245 S *	5/2016	Mille	D10/39
D762,127 S *	7/2016	Jeannet	D10/39
D797,578 S *	9/2017	Modolo	D10/39
D803,703 S *	11/2017	Perret	D10/39
D834,956 S *	12/2018	D'Amore	D10/39
D847,665 S *	5/2019	Behling	D10/39
D858,316 S *	9/2019	Behling	D10/39
D876,967 S *	3/2020	Raffy	D10/39
D879,623 S *	3/2020	Behling	D10/38
D879,624 S *	3/2020	Behling	D10/38
D879,641 S *	3/2020	Behling	D10/126
D904,904 S *	12/2020	Chabloz	D10/39
2017/0031321 A1 *	2/2017	Buttet	G04B 37/22

FOREIGN PATENT DOCUMENTS

WO DM/099168 6/2018

* cited by examiner

Primary Examiner — George D. Kirschbaum

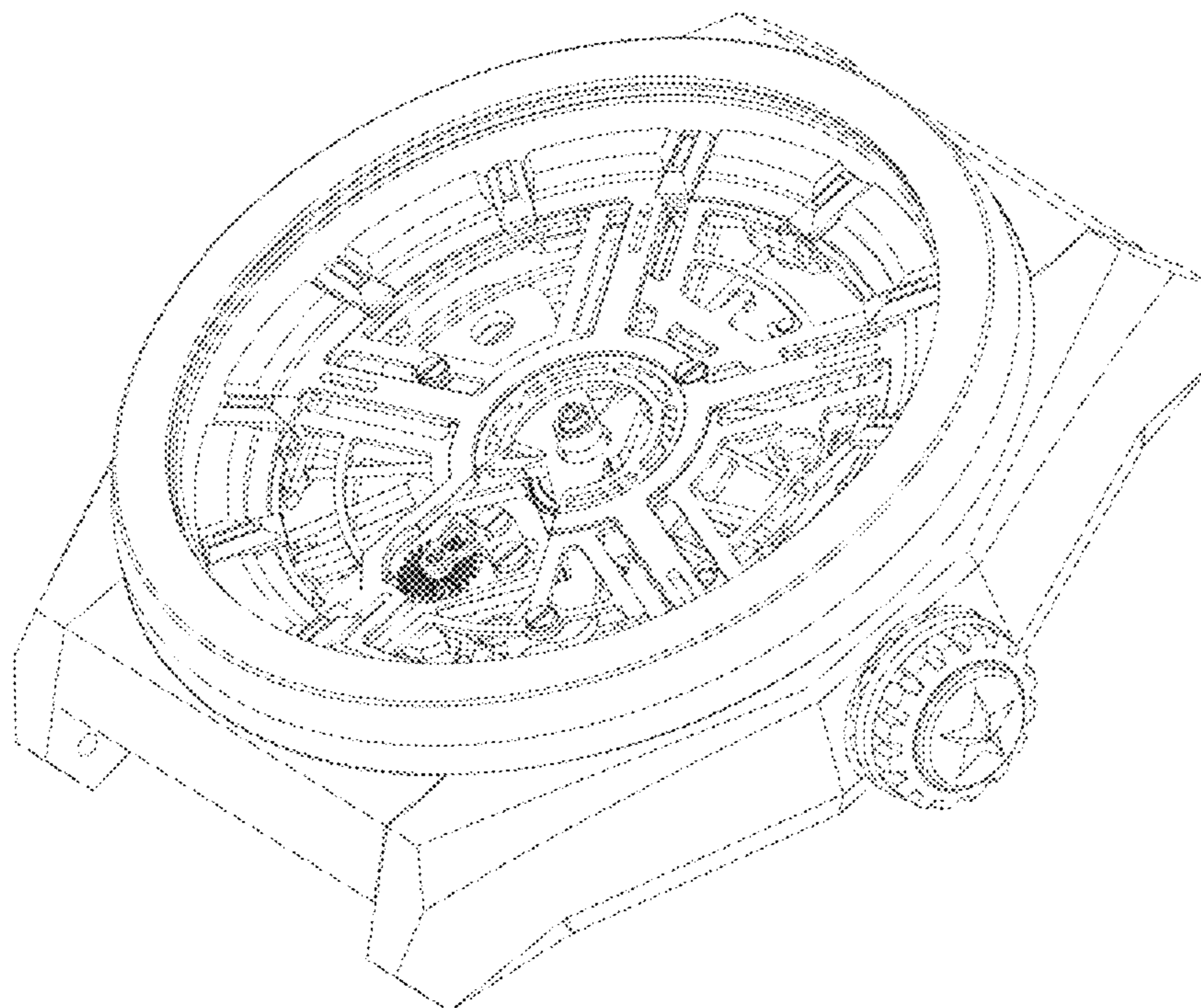
(57) **CLAIM**

The ornamental design for a watch, as shown and described.

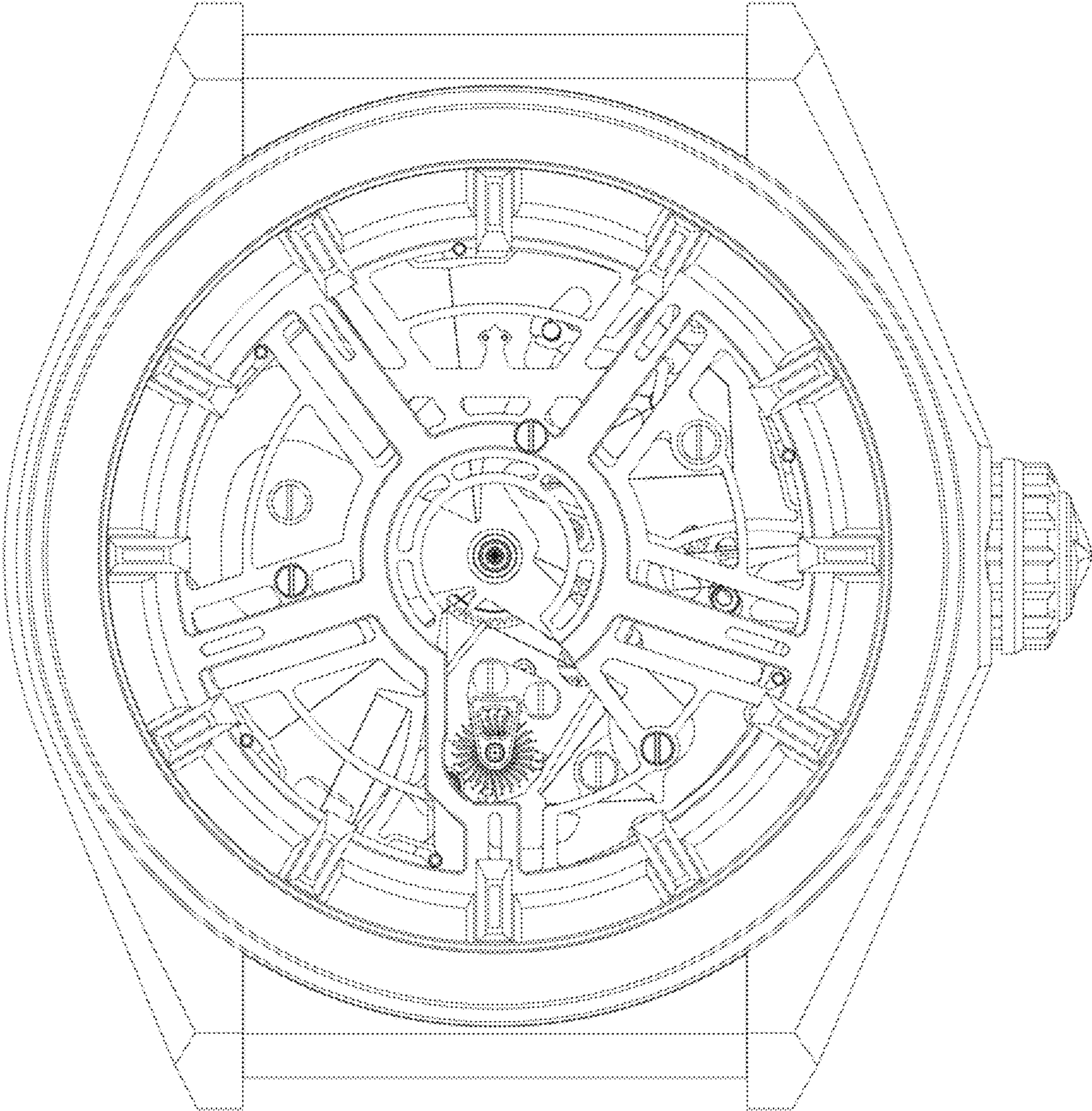
DESCRIPTION

- 1.1 is a front view of a watch showing the new design;
- 1.2 is a rear view thereof;
- 1.3 is a perspective view thereof;
- 1.4 is a right side view thereof;
- 1.5 is a left side view thereof;
- 1.6 is a bottom view thereof; and
- 1.7 is a top view thereof.

1 Claim, 7 Drawing Sheets



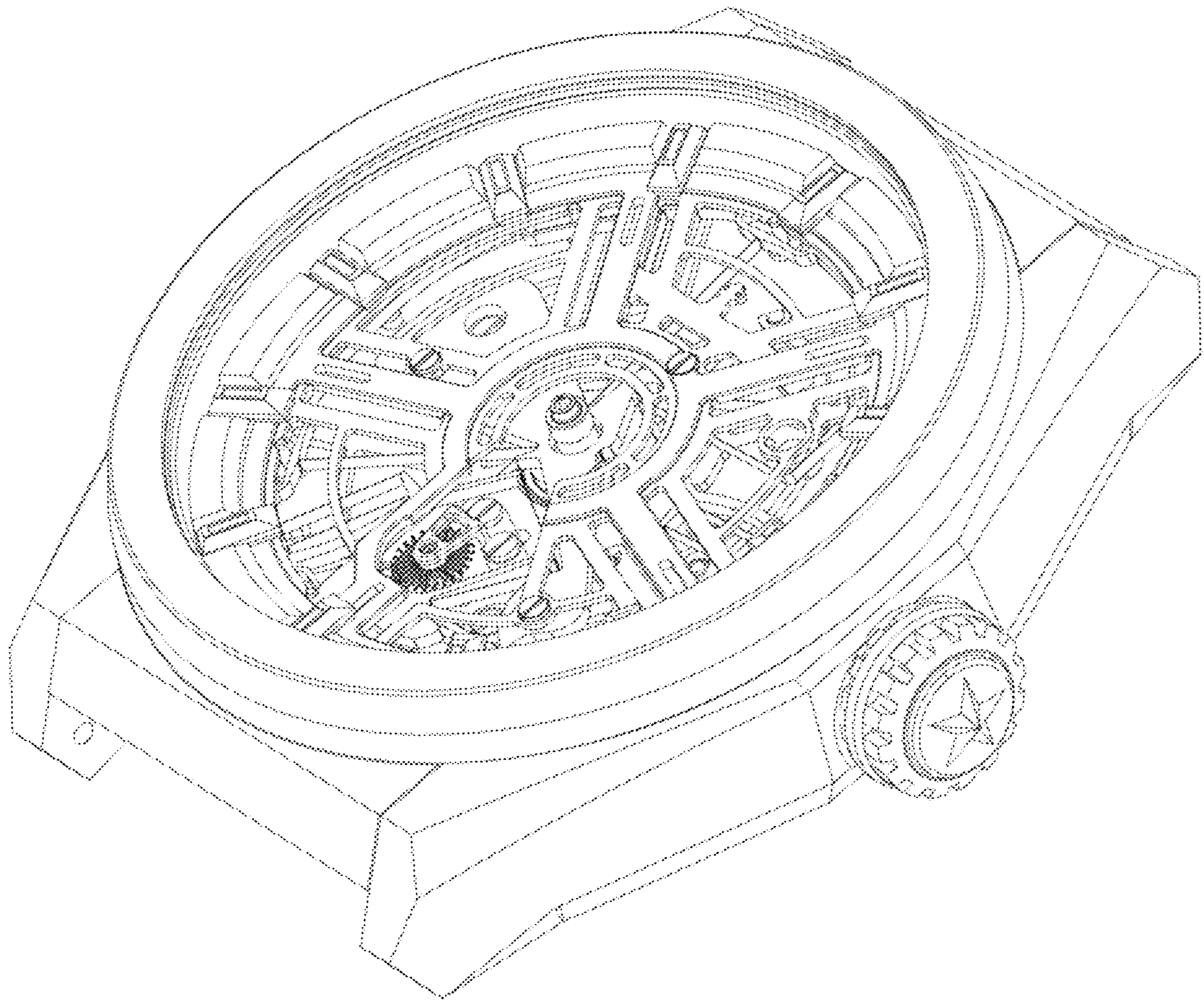
1.1



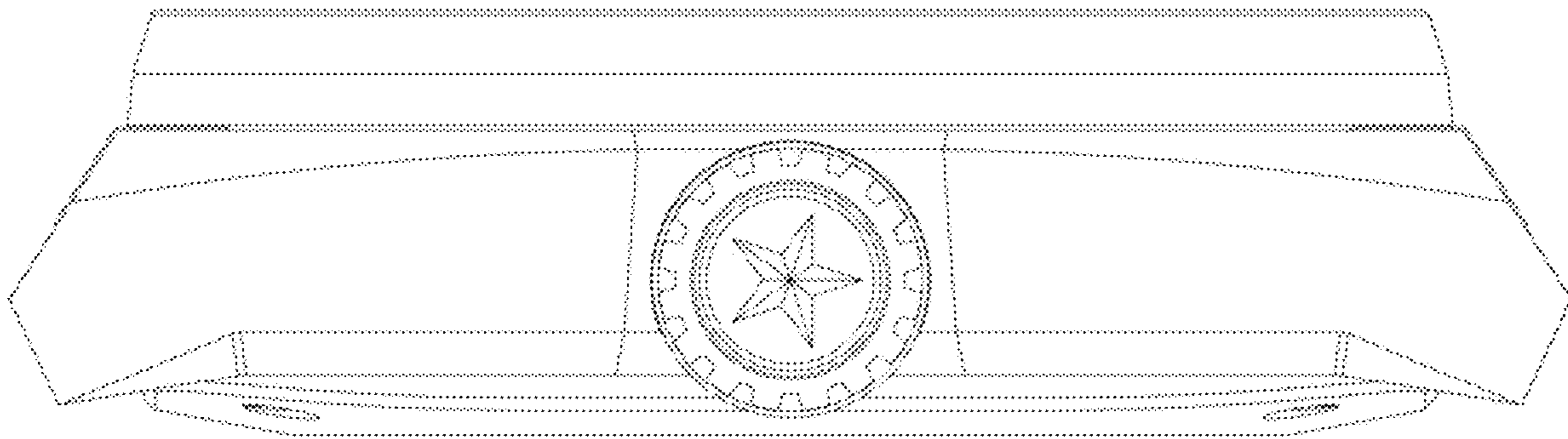
1.2



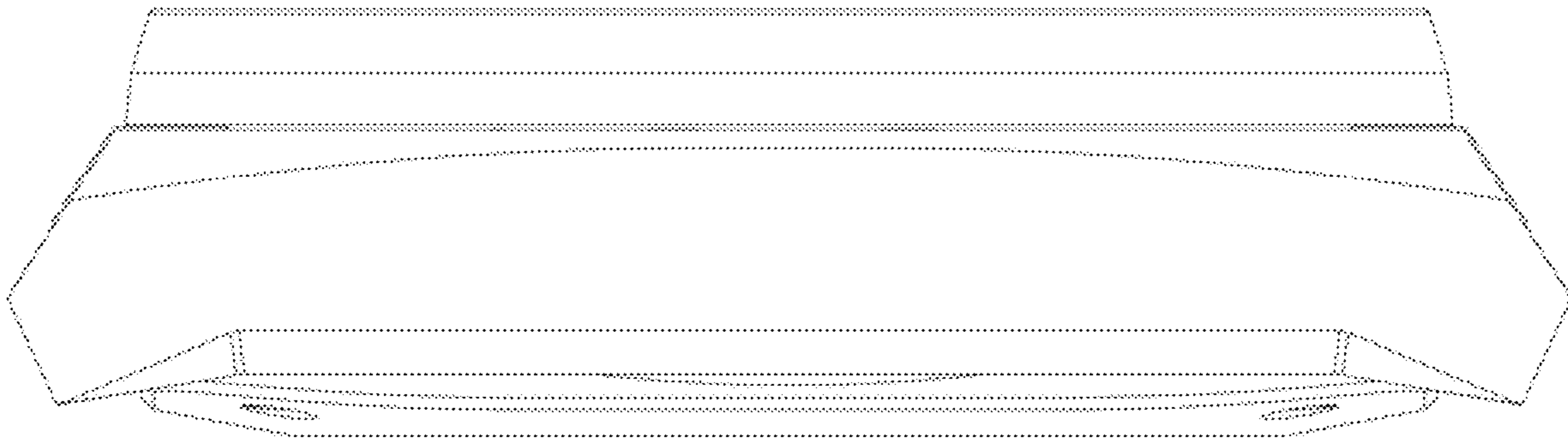
1.3



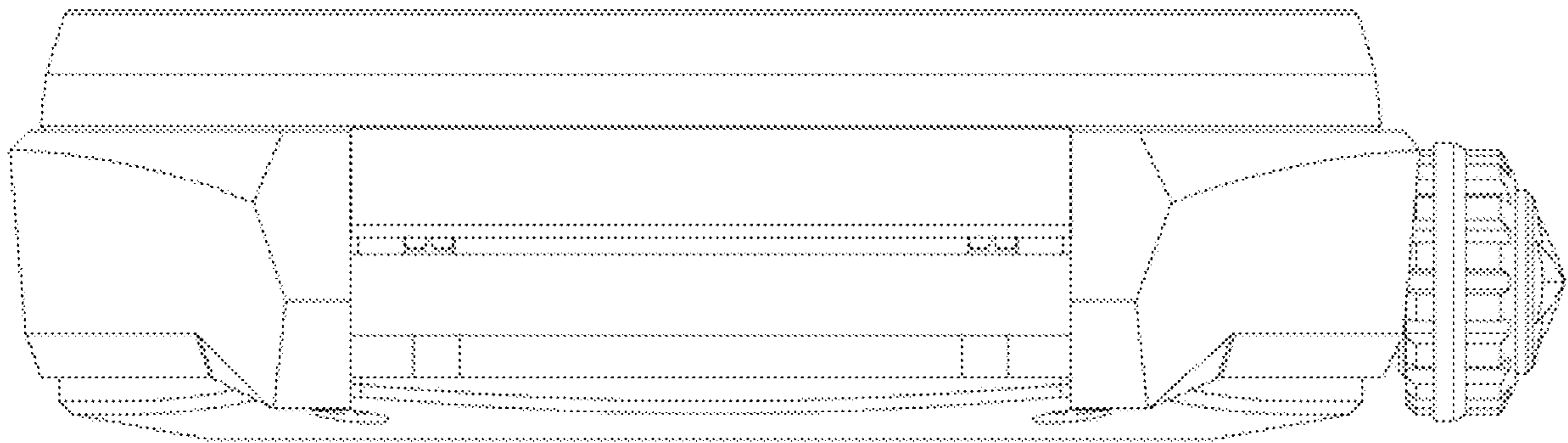
1.4



1.5



1.6



1.7

