



US00D921493S

(12) **United States Design Patent**
Chesnet et al.

(10) **Patent No.:** **US D921,493 S**
(45) **Date of Patent:** **** Jun. 8, 2021**

(54) **PACKAGE**

DESCRIPTION

(71) Applicant: **WestRock Packaging Systems, LLC**,
Atlanta, GA (US)
(72) Inventors: **Lauren N. Chesnet**, Henrico, VA (US);
Matthew E. Zacherle, Chesterfield, VA (US)
(73) Assignee: **WESTROCK PACKAGING SYSTEMS, LLC**, Atlanta, GA (US)
(**) Term: **15 Years**
(21) Appl. No.: **29/685,198**
(22) Filed: **Mar. 27, 2019**
(51) **LOC (13) Cl.** **09-03**
(52) **U.S. Cl.**
USPC **D9/752; D9/756**
(58) **Field of Classification Search**
USPC D9/737, 751, 753, 755, 756, 517, 432,
D9/433, 752; D7/600, 600.1, 601, 602,
(Continued)

(56) **References Cited**

U.S. PATENT DOCUMENTS

2,723,027 A 11/1955 Guyer
2,811,250 A 10/1957 Arneson
(Continued)

FOREIGN PATENT DOCUMENTS

EP 1012062 B1 10/2002
GB 2206101 B 3/1991
JP 2018-111526 A 7/2018

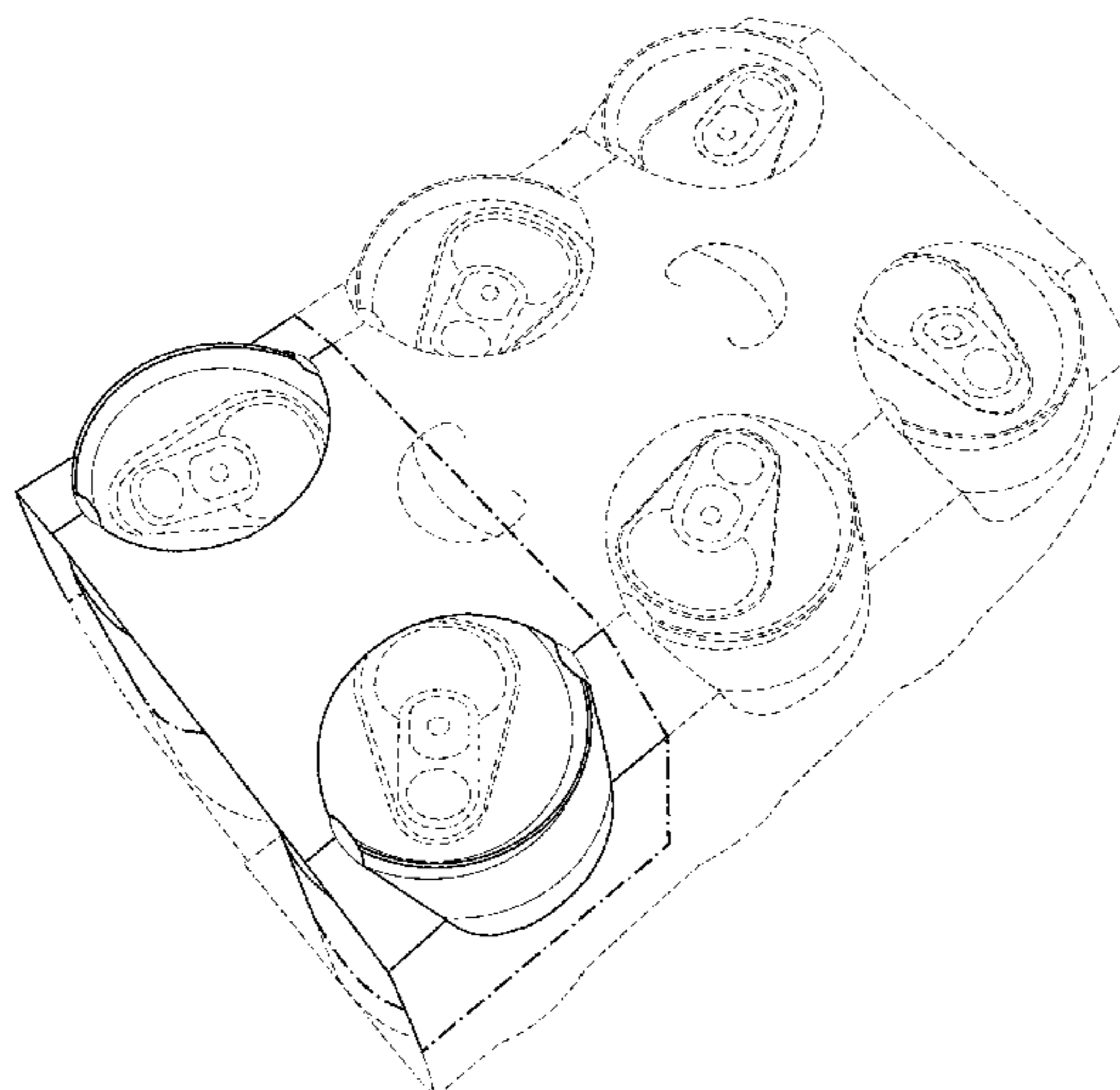
Primary Examiner — W. A. Teddy Falloway
(74) *Attorney, Agent, or Firm* — Brian J. Goldberg

(57) **CLAIM**

What is claimed is the ornamental design for a package, as shown and described.

FIG. 1 is a perspective view of a package, including a carton and articles held therein, of a first embodiment according to the disclosure;
FIG. 2 is a top plan view of the package of FIG. 1;
FIG. 3 is a first side elevation view of the package of FIG. 1;
FIG. 4 is a second side elevation view of the package of FIG. 1;
FIG. 5 is a front elevation view of the package of FIG. 1;
FIG. 6 is a rear elevation view of the package of FIG. 1;
FIG. 7 is a bottom plan view of the package of FIG. 1;
FIG. 8 is a perspective view of a package, including a carton and articles held therein, of a second embodiment according to the disclosure;
FIG. 9 is a top plan view of the package of FIG. 8;
FIG. 10 is a first side elevation view of the package of FIG. 8;
FIG. 11 is a second side elevation view of the package of FIG. 8;
FIG. 12 is a front elevation view of the package of FIG. 8;
FIG. 13 is a rear elevation view of the package of FIG. 8;
FIG. 14 is a bottom plan view of the package of FIG. 8;
FIG. 15 is a perspective view of a package, including a carton and articles held therein, of a third embodiment according to the disclosure;
FIG. 16 is a top plan view of the package of FIG. 15;
FIG. 17 is a first side elevation view of the package of FIG. 15;
FIG. 18 is a second side elevation view of the package of FIG. 15;
FIG. 19 is a front elevation view of the package of FIG. 15;
FIG. 20 is a rear elevation view of the package of FIG. 15;
and,
FIG. 21 is a bottom plan view of the package of FIG. 15.
The dash-dash broken lines showing articles held in the carton and parts thereof represent environmental structure. All other dash-dash broken lines illustrate portions of the package. The dash-dot broken lines represent the bounds of the claim. The broken lines form no part of the claimed design.

1 Claim, 21 Drawing Sheets



US D921,493 S

(58) **Field of Classification Search**

USPC D7/701, 619.1, 622; D3/307-315;
 220/557, 62, 771; 229/117.13, 120.26,
 229/120.14, 117.09, 199, 117.14, 117.12,
 229/117.16, 103.3, 122.3, 166; 206/549,
 206/162, 167, 169, 170, 174, 175, 427,
 206/434, 430, 431; 493/88, 122, 128,
 493/162
 CPC .. B65D 2571/0066; B65D 2571/00487; B65D
 71/0022; B65D 2571/00388; B65D
 2571/00524; B65D 2571/0037; B65D
 2571/00382; B65D 71/004; B65D 5/20;
 B65D 5/4266; B65D 5/443; B65D
 5/4608; B65D 5/48002; B65D
 2571/00351; B65D 5/462; B65D 5/481;
 B65D 5/484; B65D 5/4208; B65D
 5/0227; B65D 5/2014; B65D 5/42; B65D
 5/02; B65D 25/04; B65D 5/54; B65D
 75/00; B65D 71/58; B65D 71/54; B65D
 71/40; B65D 77/22; B31B 2100/00;
 B31B 2120/00; B31B 50/26; B31B
 2241/001; B31B 50/00; B31B 50/86;
 B31B 2120/20; B31B 1/26; B31B 1/86;
 B31B 1/62; B31B 1/06; A63F 3/00261;
 Y10S 229/934; A45C 11/20

See application file for complete search history.

(56) **References Cited**

U.S. PATENT DOCUMENTS

2,946,621 A * 7/1960 Williamson B65D 71/48
 294/87.2
 3,163,321 A * 12/1964 Weiss B65D 71/26
 206/196
 3,194,478 A * 7/1965 Weiss B65D 71/16
 206/196
 3,248,036 A * 4/1966 Weiss B65D 71/38
 206/196
 3,519,127 A 7/1970 Wood
 3,688,969 A * 9/1972 Gabarez B65D 71/40
 229/161

3,942,631 A * 3/1976 Sutherland B65D 71/0048
 206/738
 4,256,226 A 3/1981 Stone
 D265,057 S * 6/1982 Wood 206/153
 4,374,562 A 2/1983 Oliff
 4,533,047 A 8/1985 Calvert
 5,167,325 A * 12/1992 Sykora B65D 71/0055
 206/140
 5,360,104 A 11/1994 Sutherland
 5,415,278 A * 5/1995 Sutherland B65D 71/46
 206/148
 5,503,267 A * 4/1996 Sutherland B65D 71/48
 206/148
 5,520,283 A 5/1996 Sutherland
 5,595,292 A 1/1997 Bates
 D406,752 S * 3/1999 Marsh D9/713
 6,015,043 A * 1/2000 Sandberg B65D 5/5009
 206/446
 8,096,413 B2 * 1/2012 Coltri De Paula B65D 71/42
 206/153
 D671,402 S * 11/2012 Charles D9/423
 8,443,968 B2 5/2013 De Paula
 9,174,784 B2 * 11/2015 Bakx B65D 71/14
 9,422,092 B2 8/2016 Merzeau
 9,422,093 B2 * 8/2016 Merzeau B65D 71/20
 9,821,939 B2 * 11/2017 Blin B65D 71/48
 10,343,829 B2 * 7/2019 Zacherle B65D 71/18
 2004/0206639 A1 * 10/2004 Karlsson B65D 71/42
 206/170
 2007/0000794 A1 * 1/2007 Requena B65D 71/46
 206/139
 2007/0029212 A1 * 2/2007 Smalley B65D 71/18
 206/175
 2008/0073420 A1 3/2008 Walling et al.
 2014/0097112 A1 * 4/2014 Holley, Jr. B65D 71/42
 206/427
 2015/0291328 A1 * 10/2015 Blin B65D 71/20
 206/141
 2015/0291329 A1 * 10/2015 Kastanek B65D 71/42
 206/427
 2020/0010255 A1 * 1/2020 Zacherle B65D 71/42
 2020/0079564 A1 * 3/2020 Ford B65B 17/025
 2020/0189819 A1 * 6/2020 McCree B31B 50/52
 2020/0223612 A1 * 7/2020 Swenson B65D 75/02

* cited by examiner

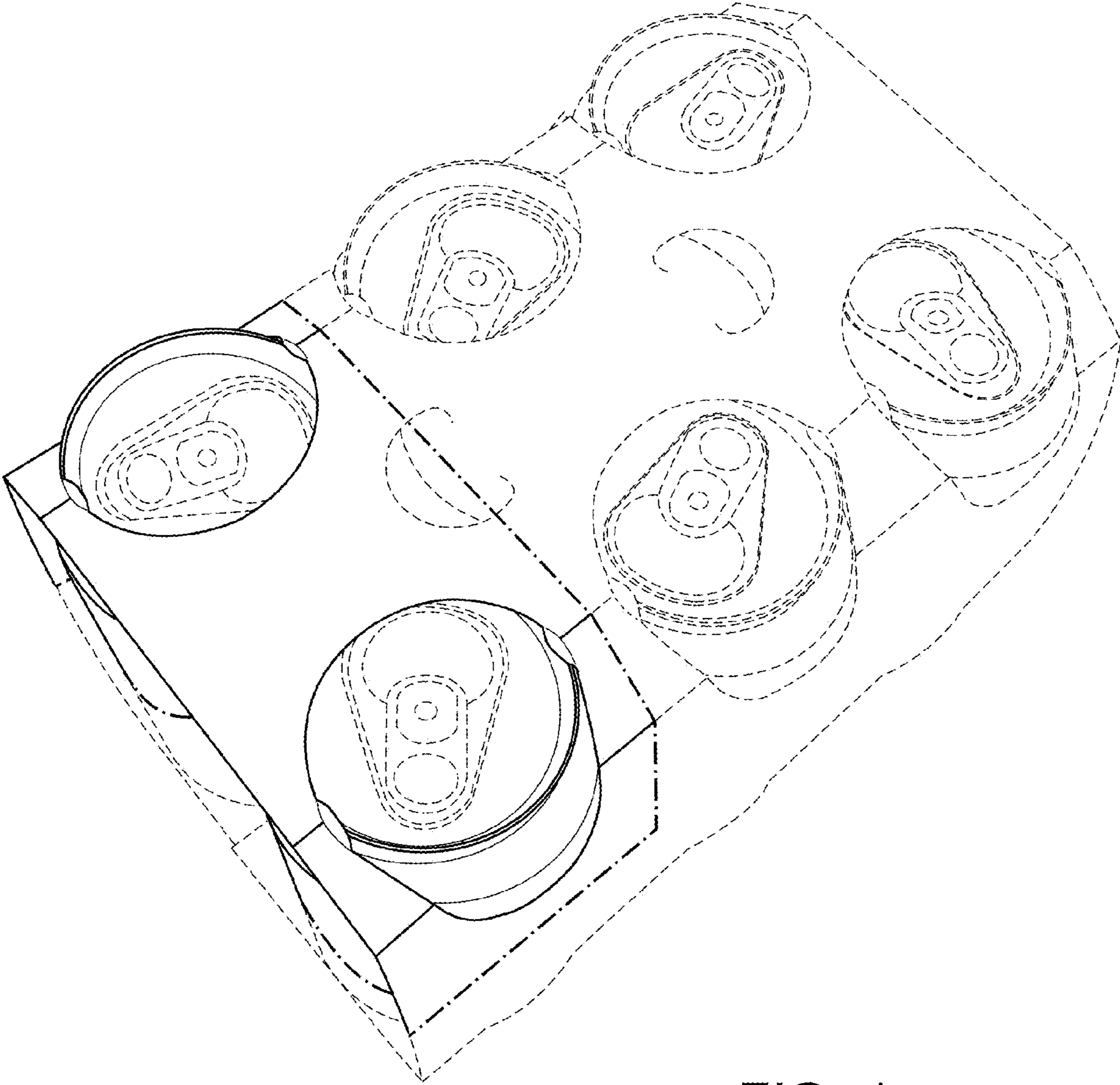


FIG. 1

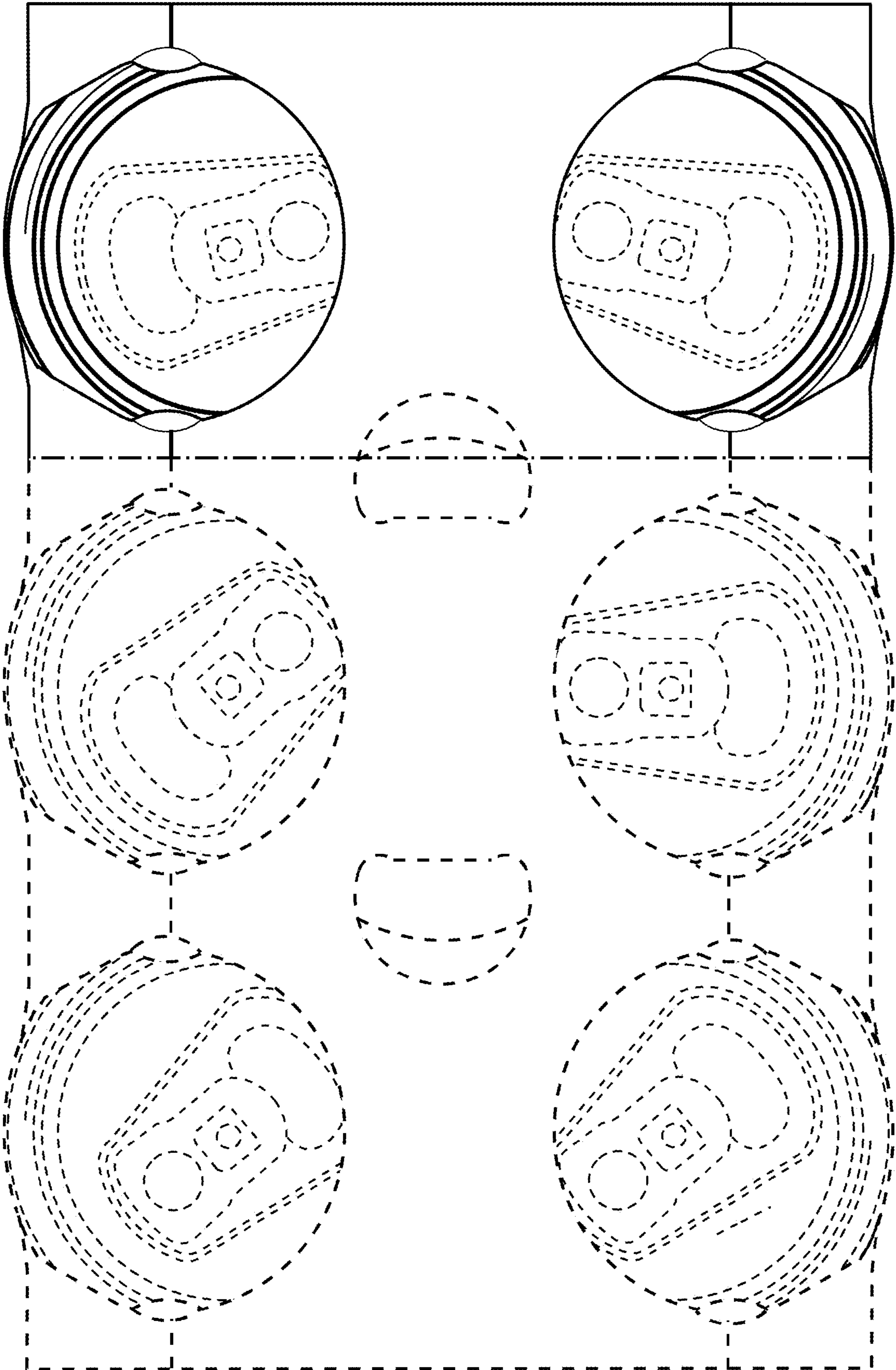


FIG. 2

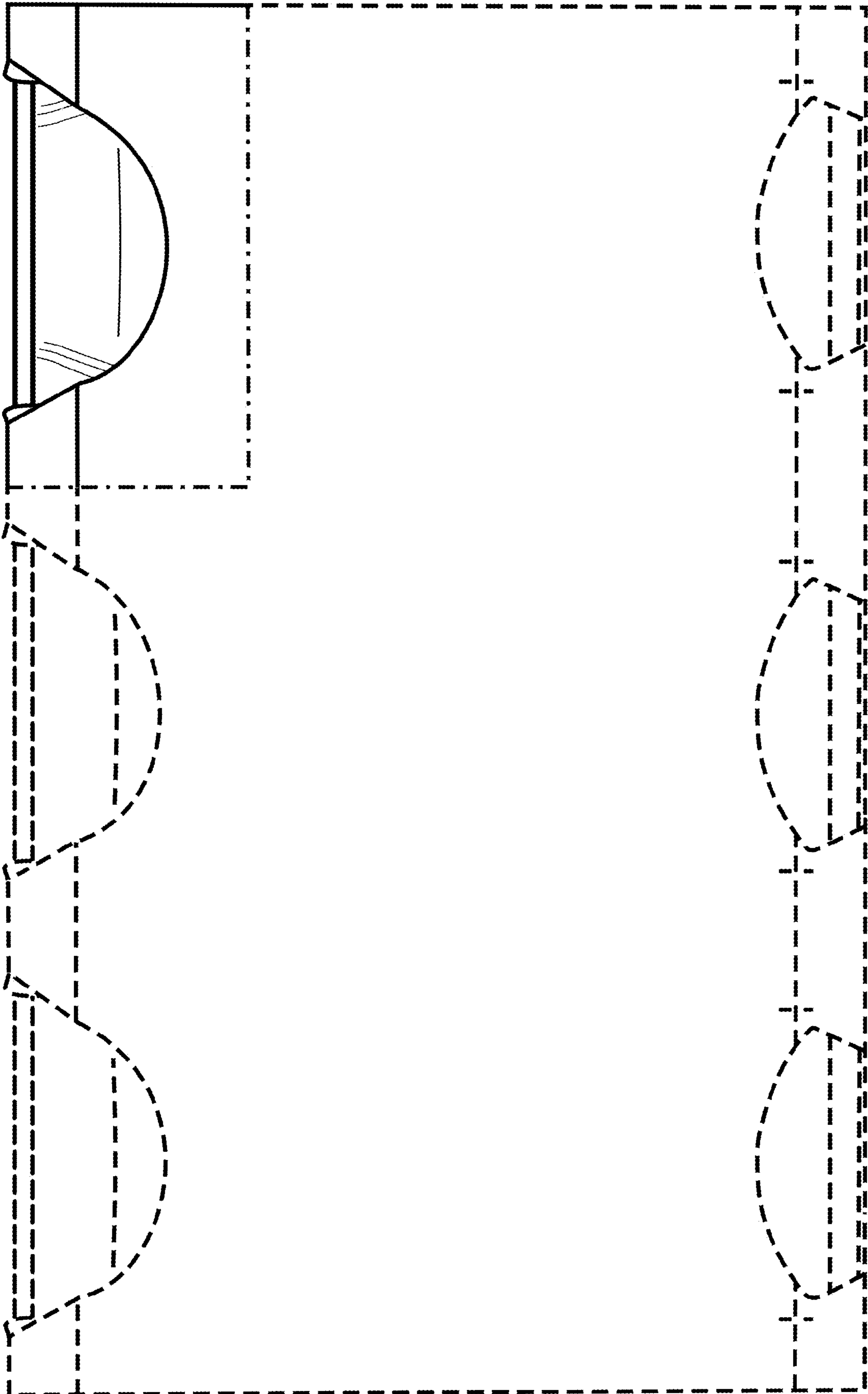


FIG. 3

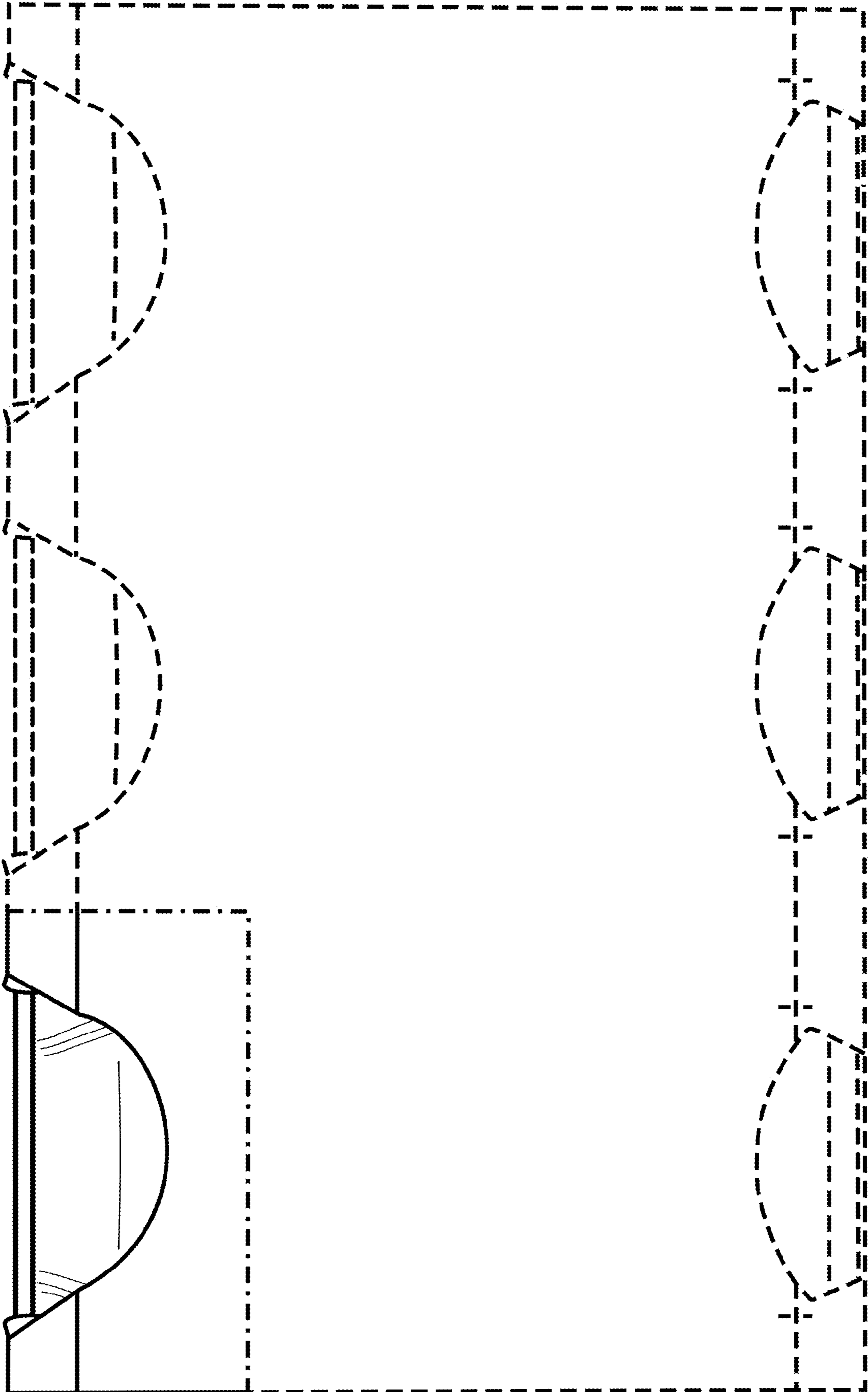


FIG. 4

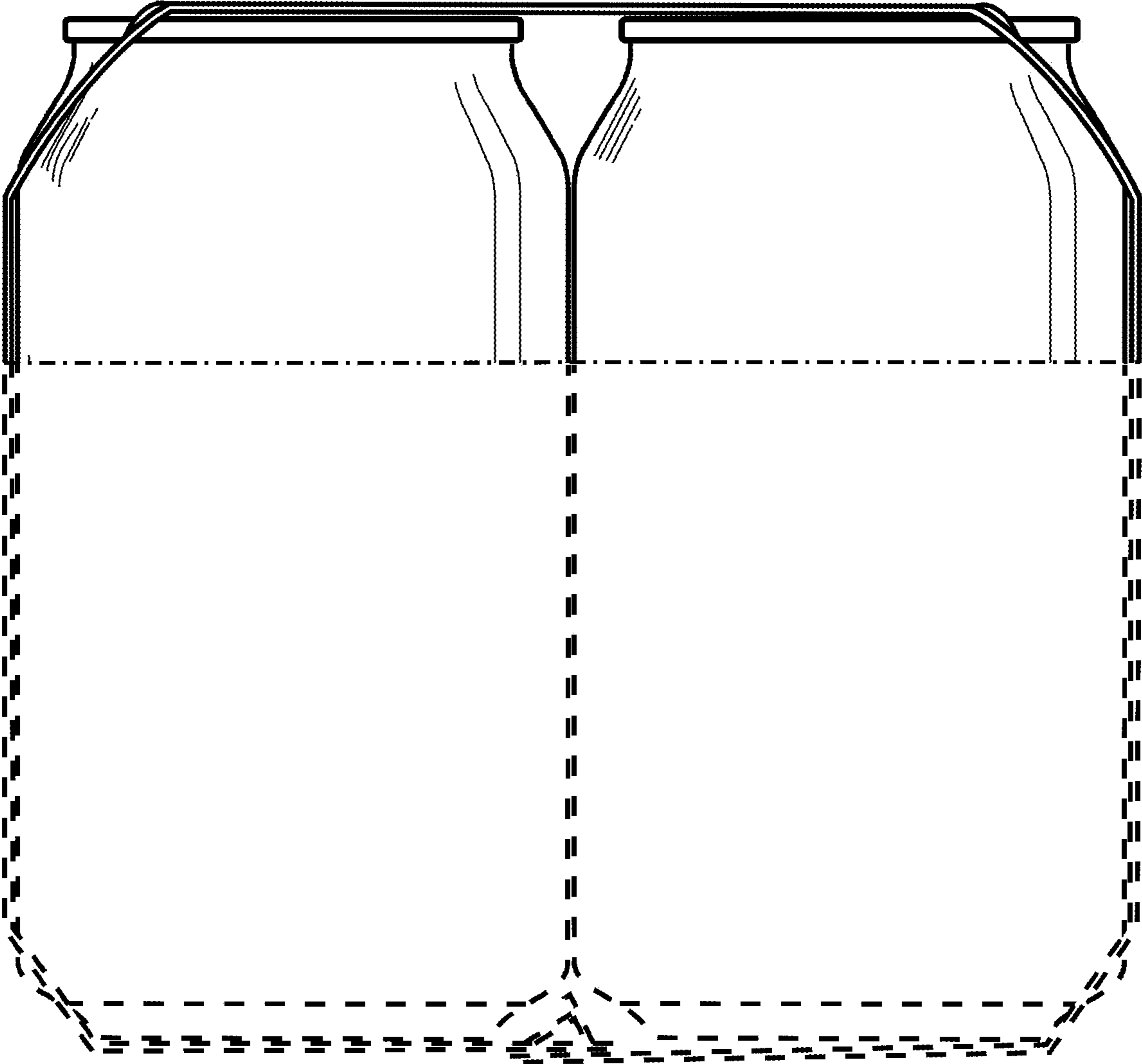


FIG. 5

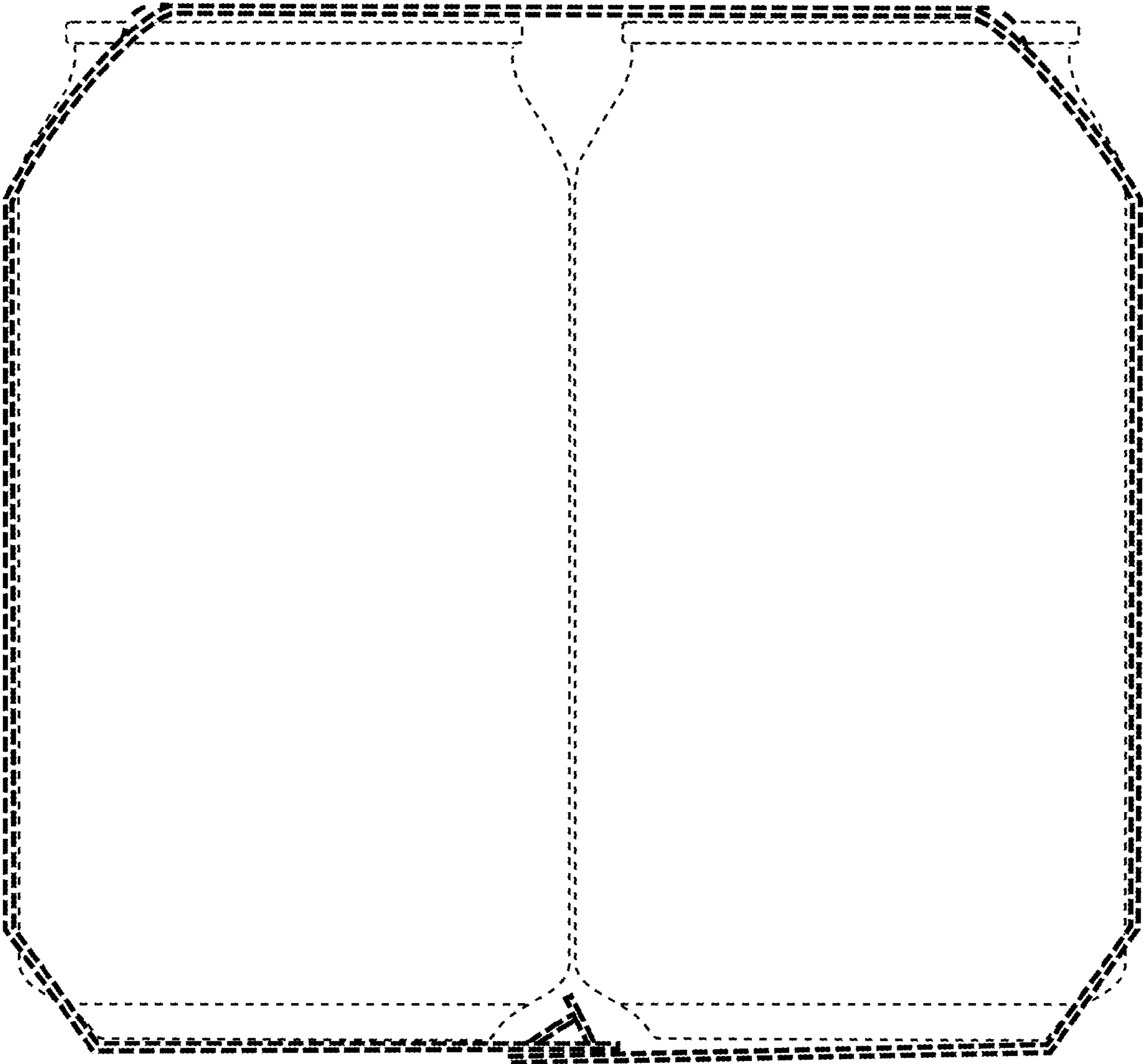


FIG. 6

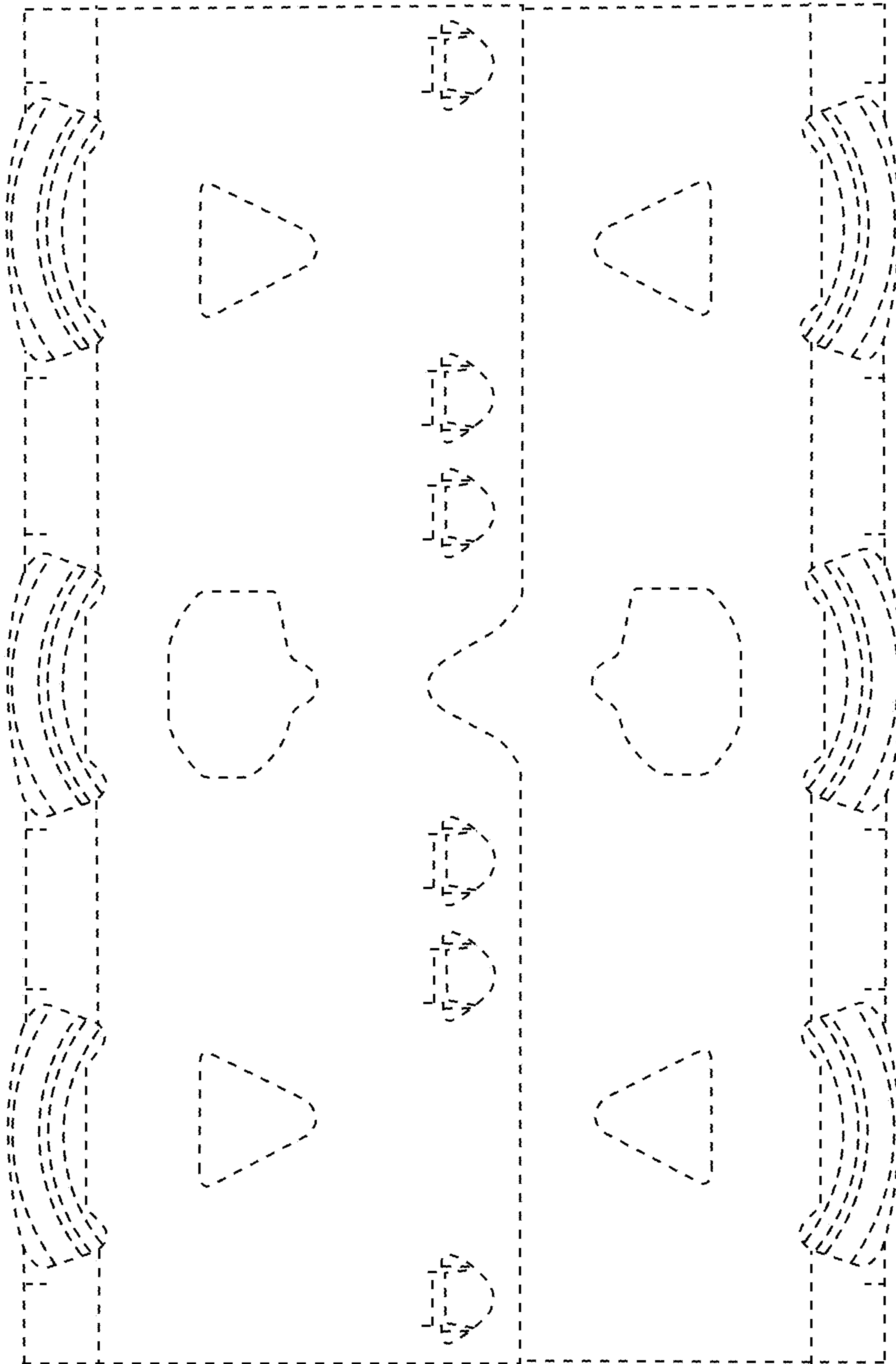


FIG.7

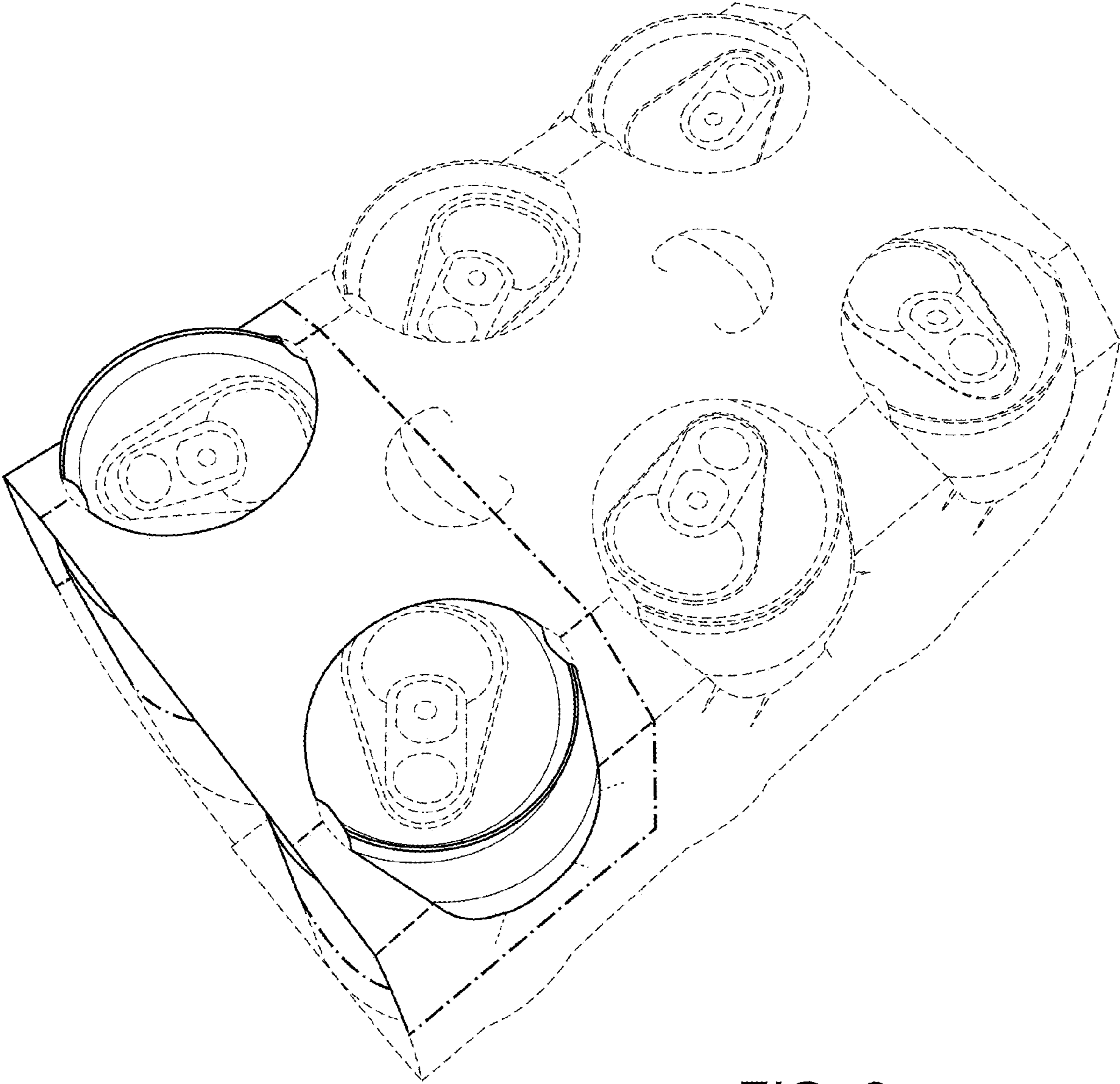


FIG. 8

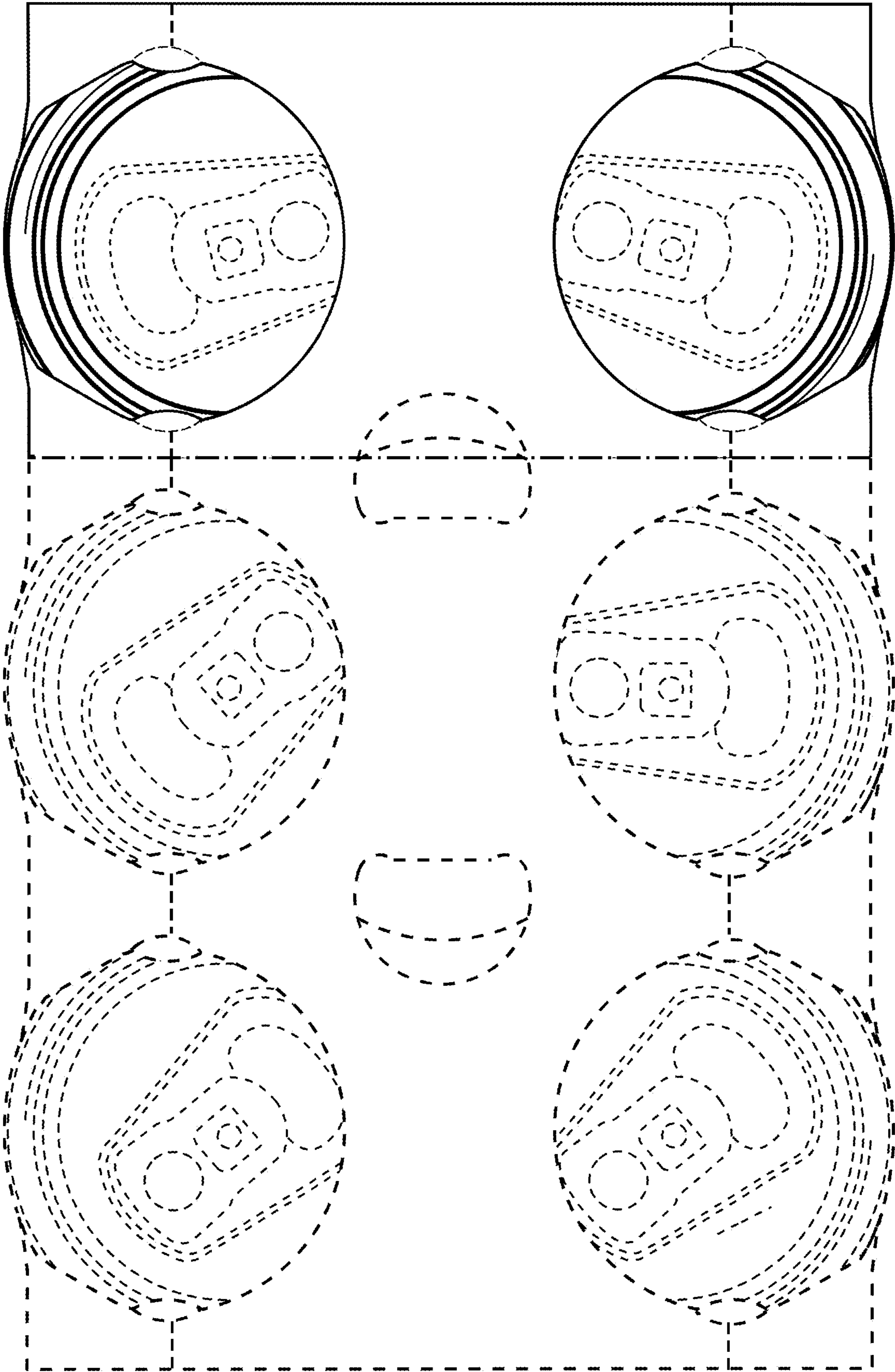


FIG. 9

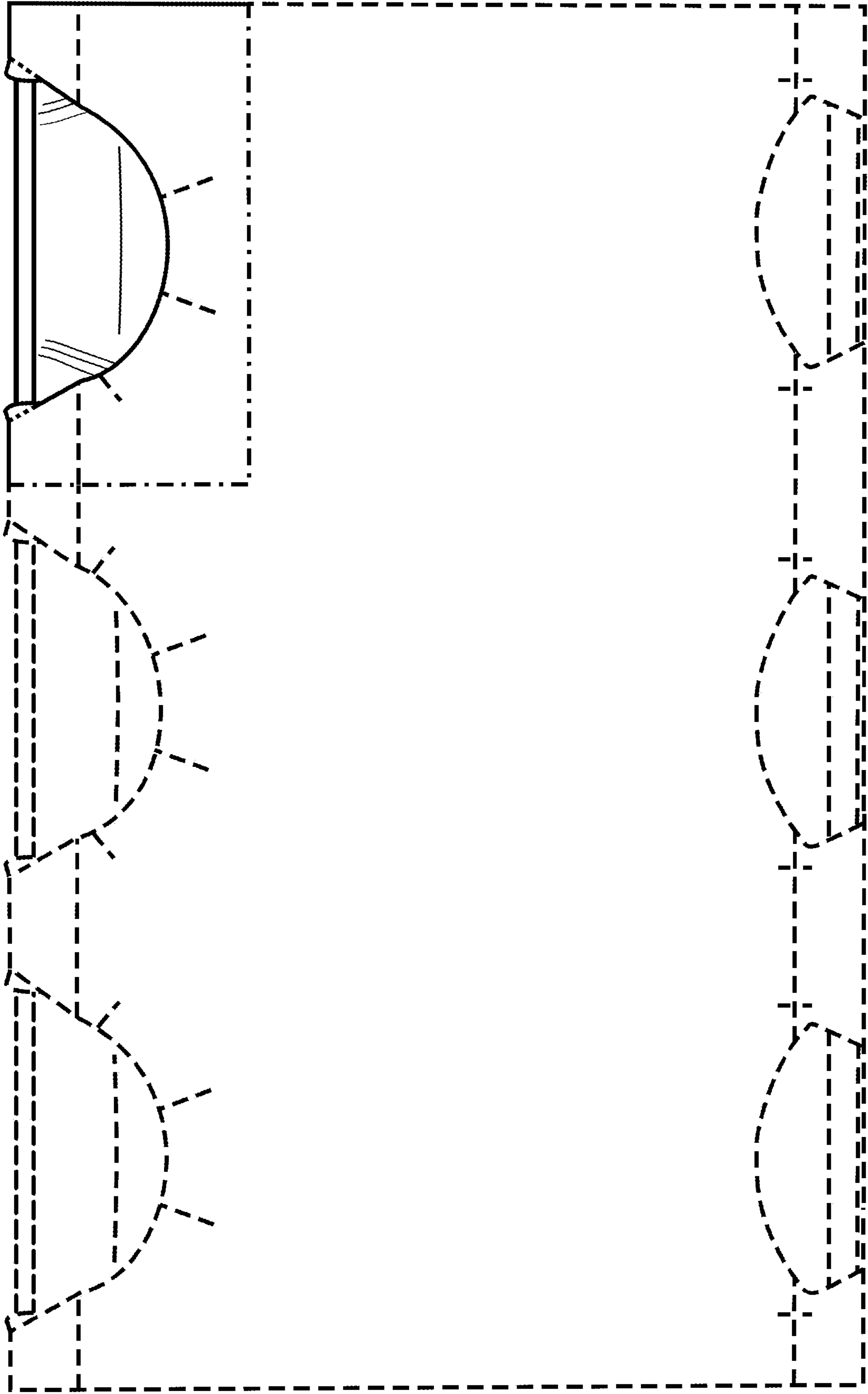


FIG. 10

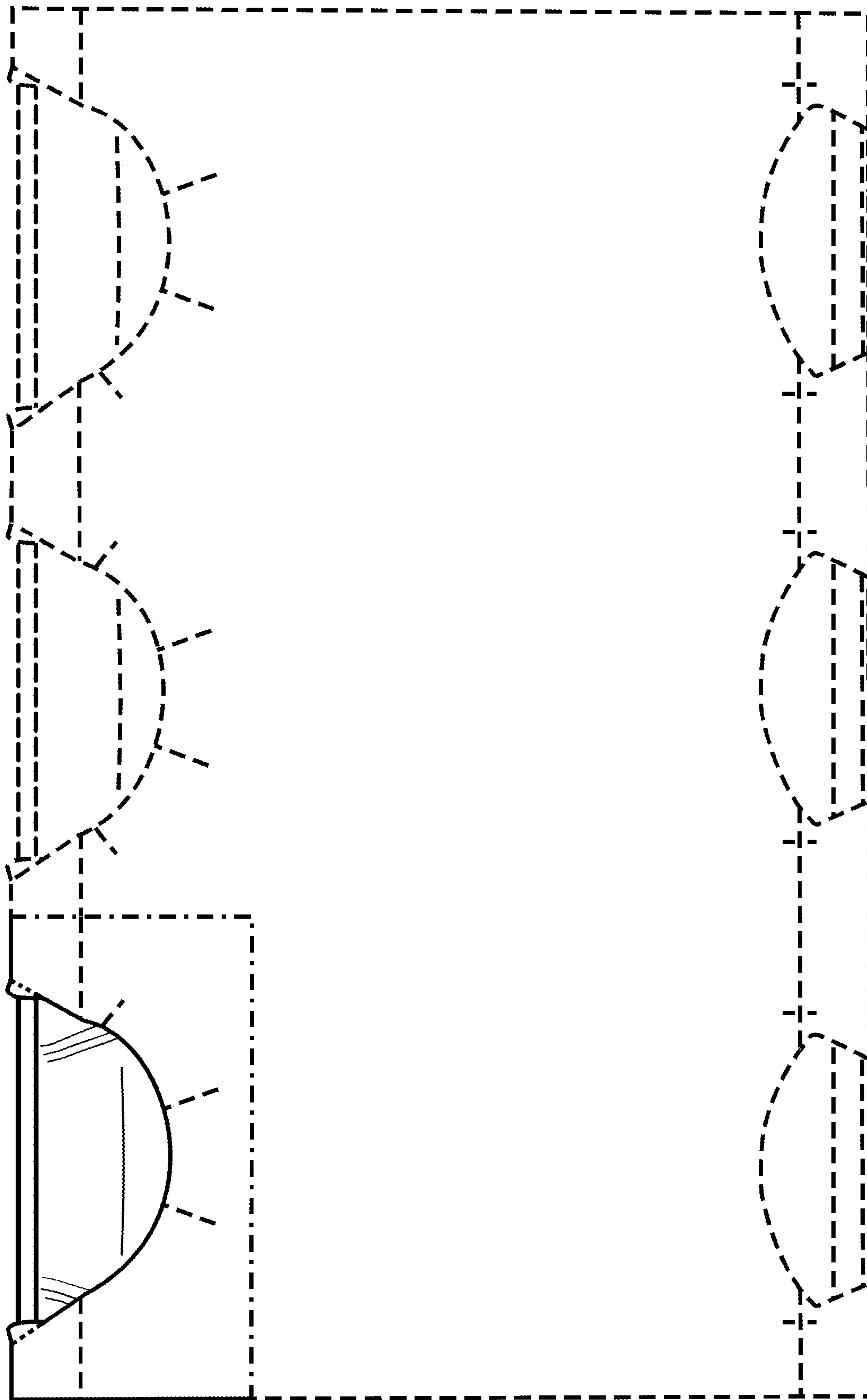


FIG.11

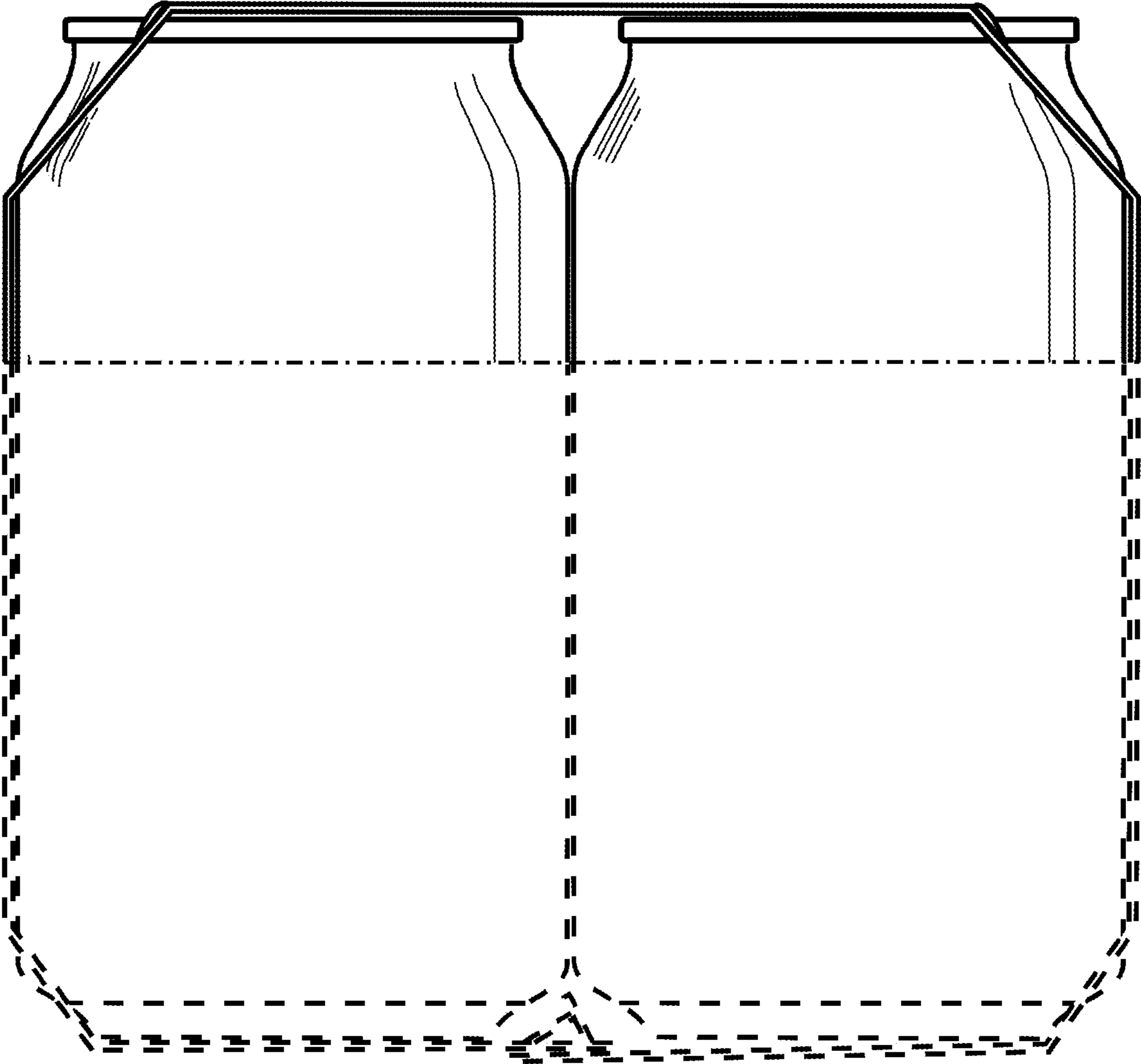


FIG. 12

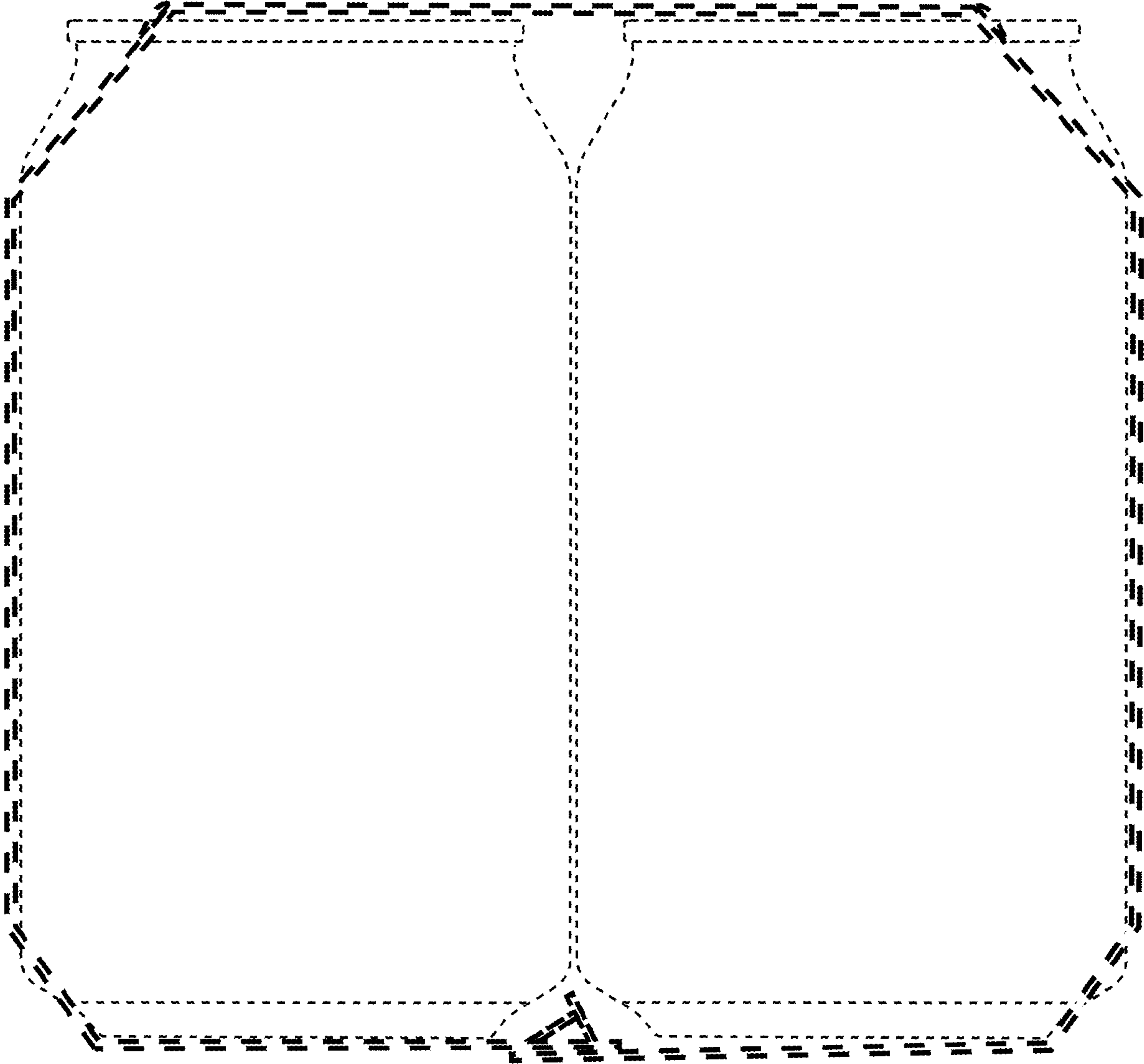


FIG. 13

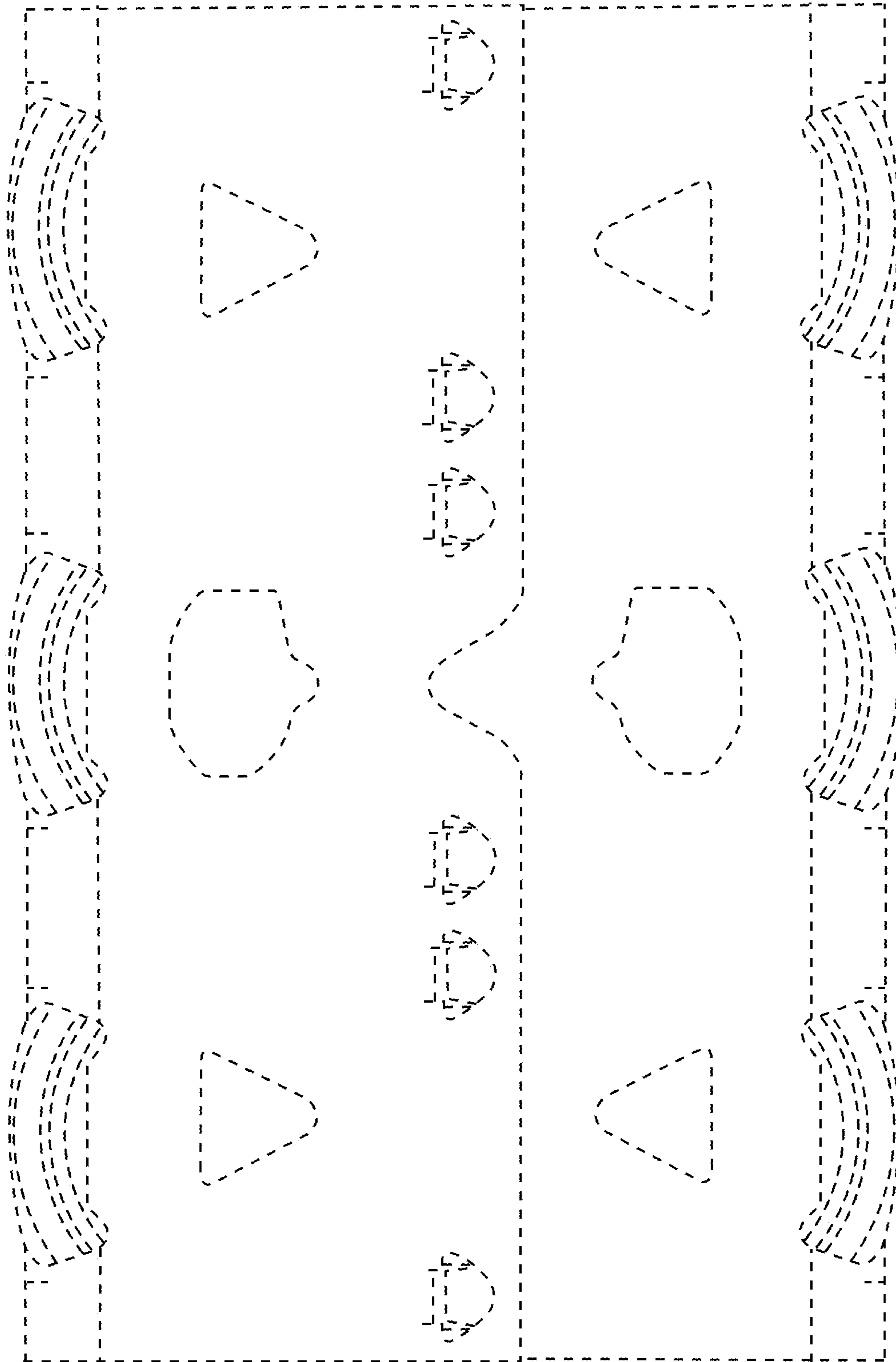


FIG.14

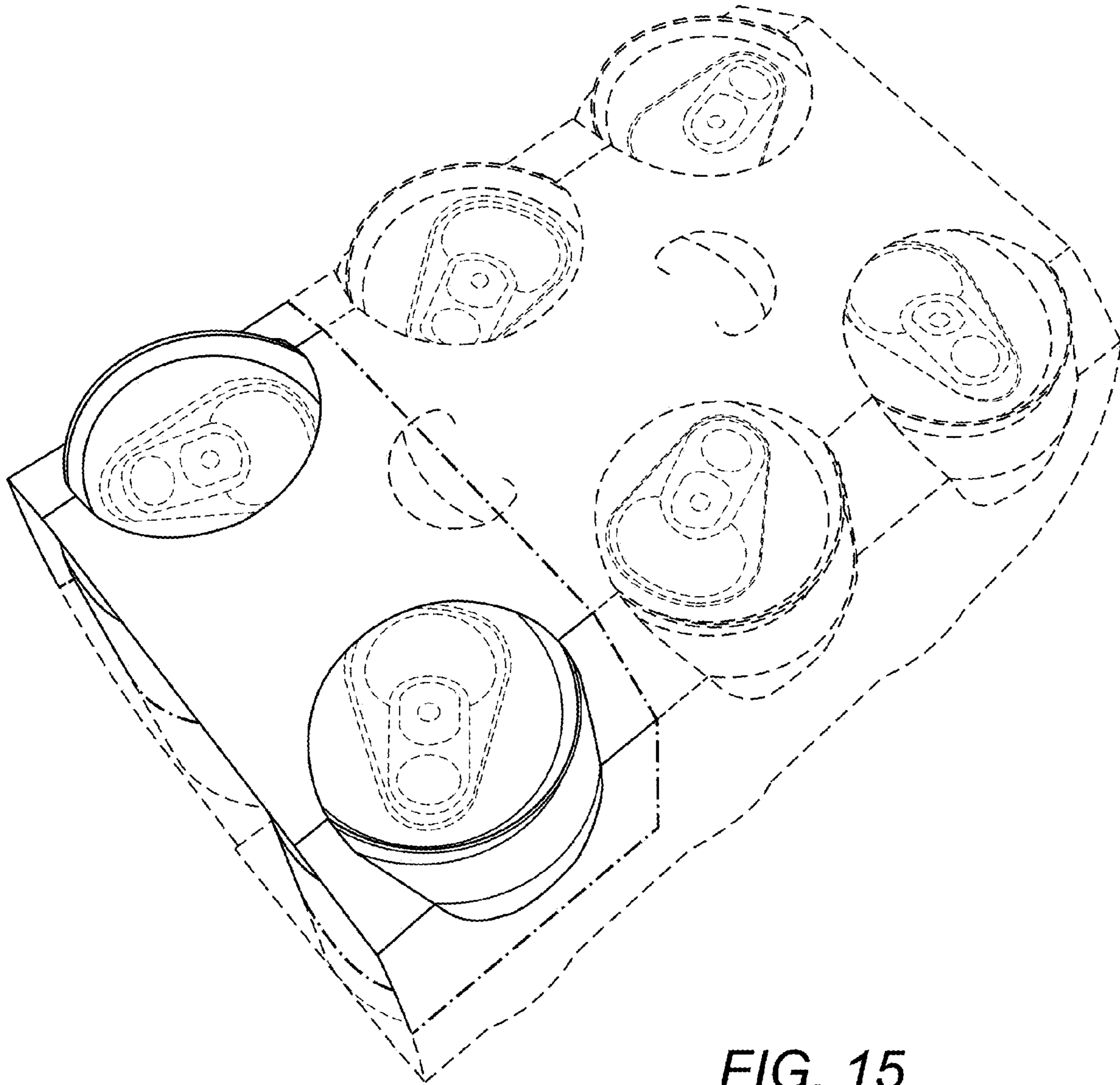


FIG. 15

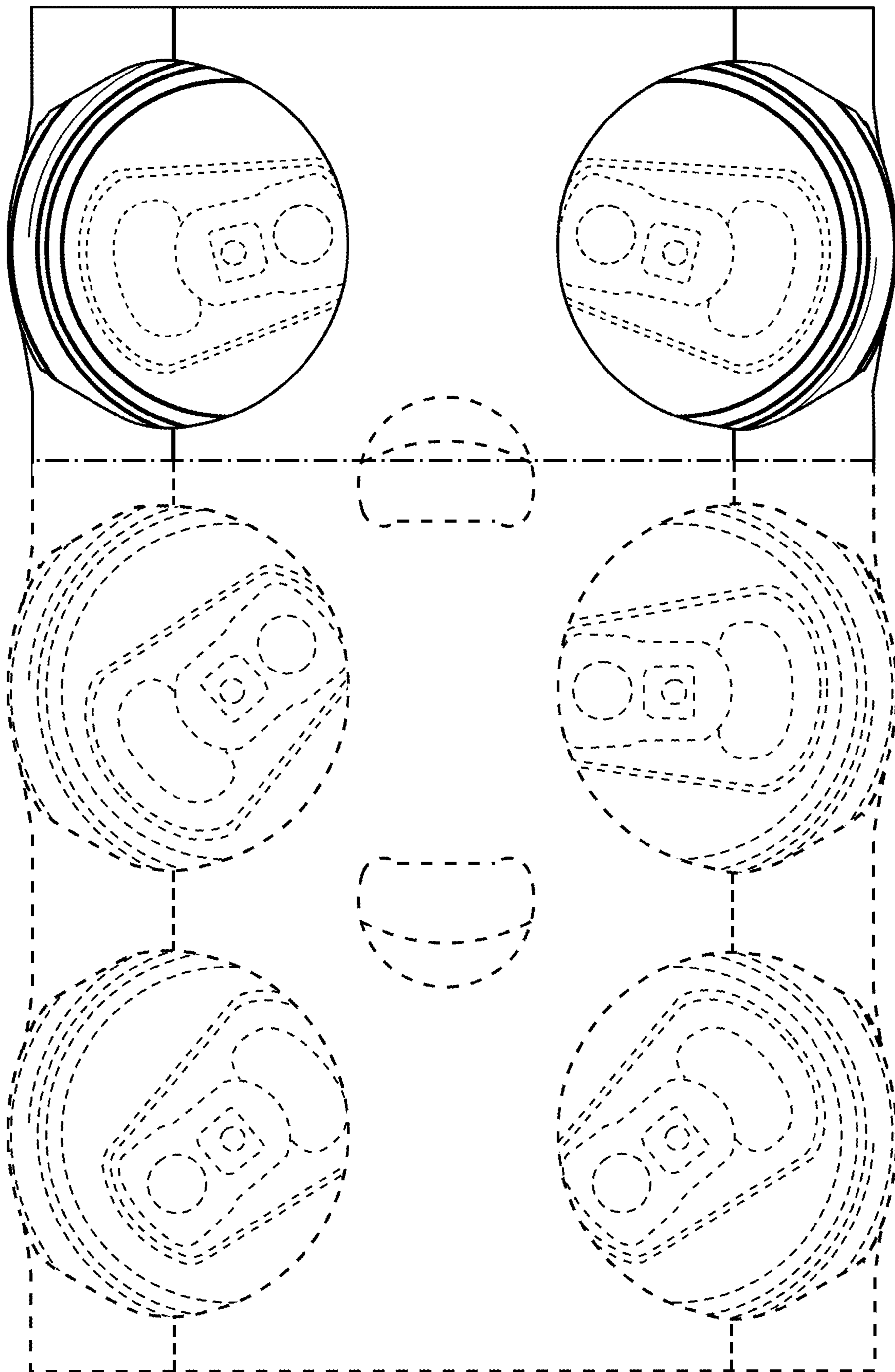


FIG. 16

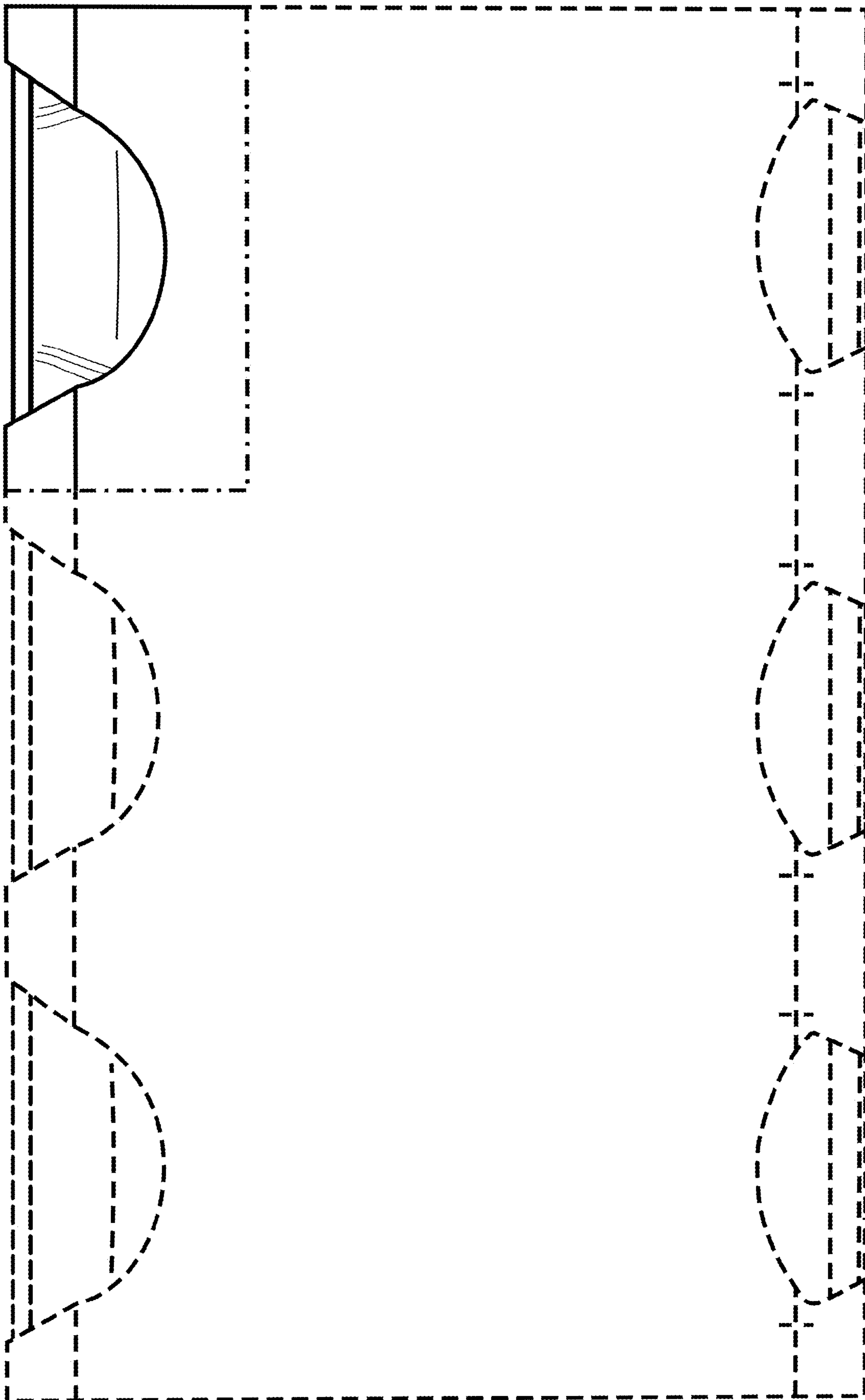


FIG. 17

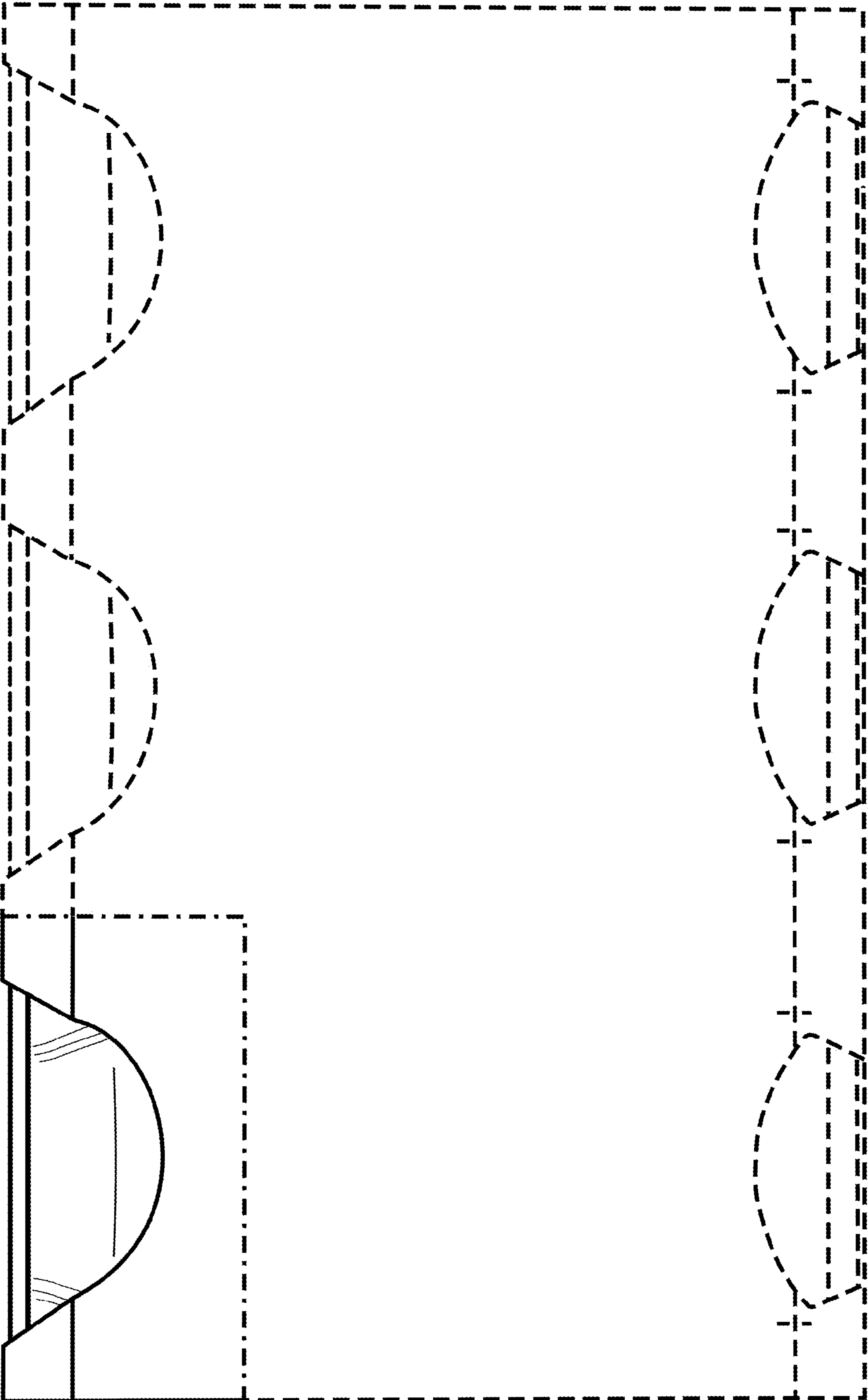


FIG. 18

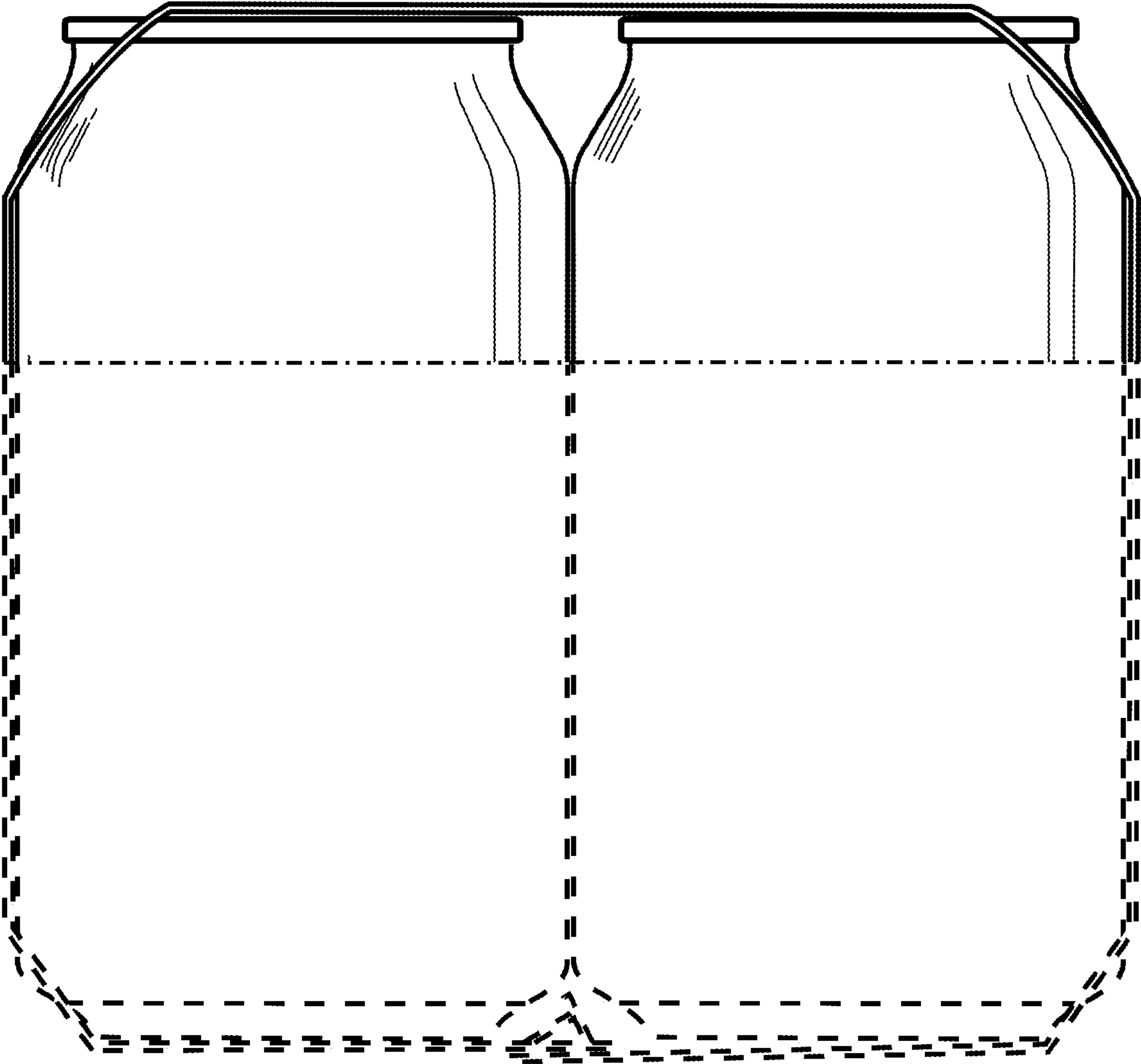


FIG. 19

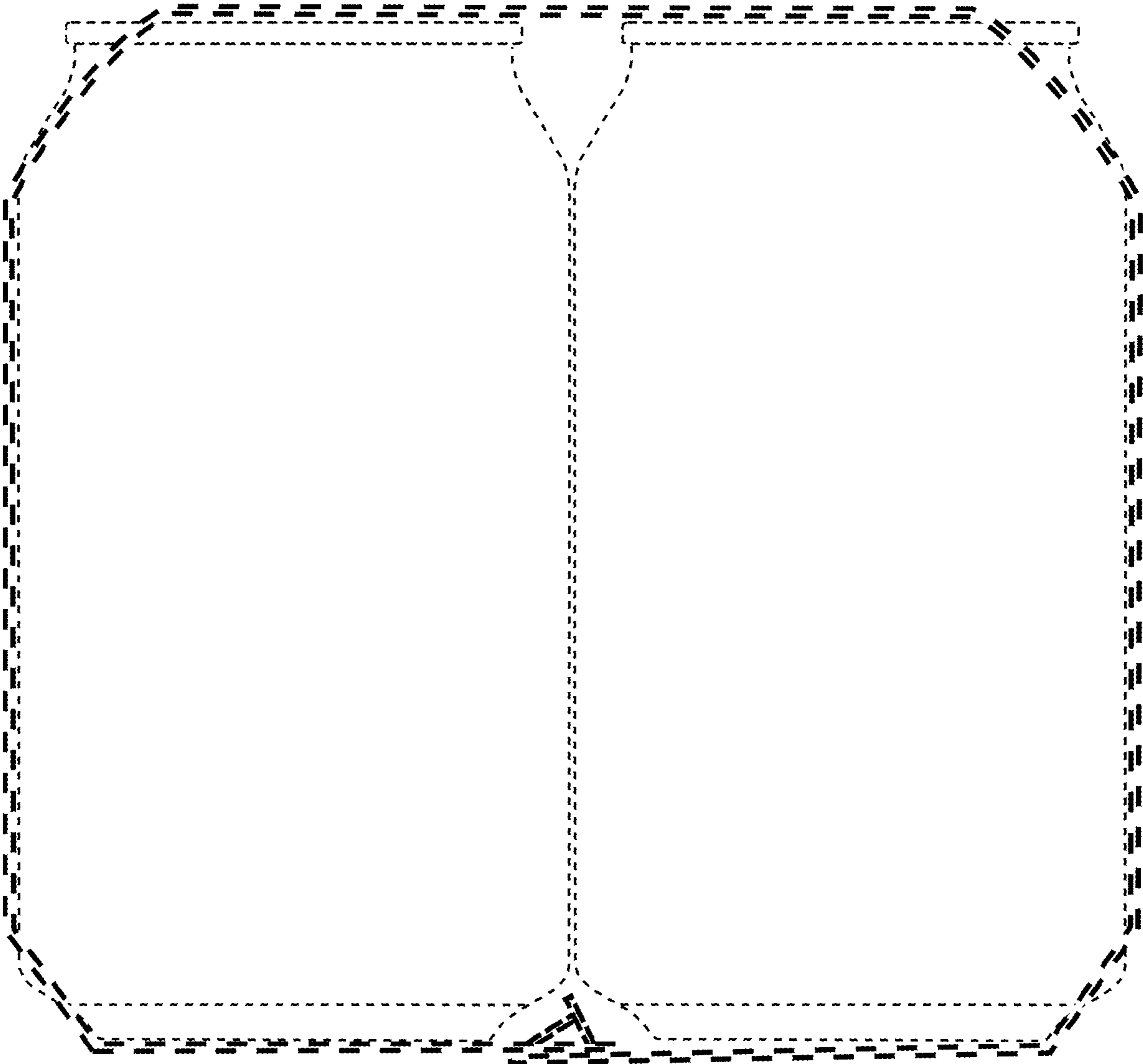


FIG. 20

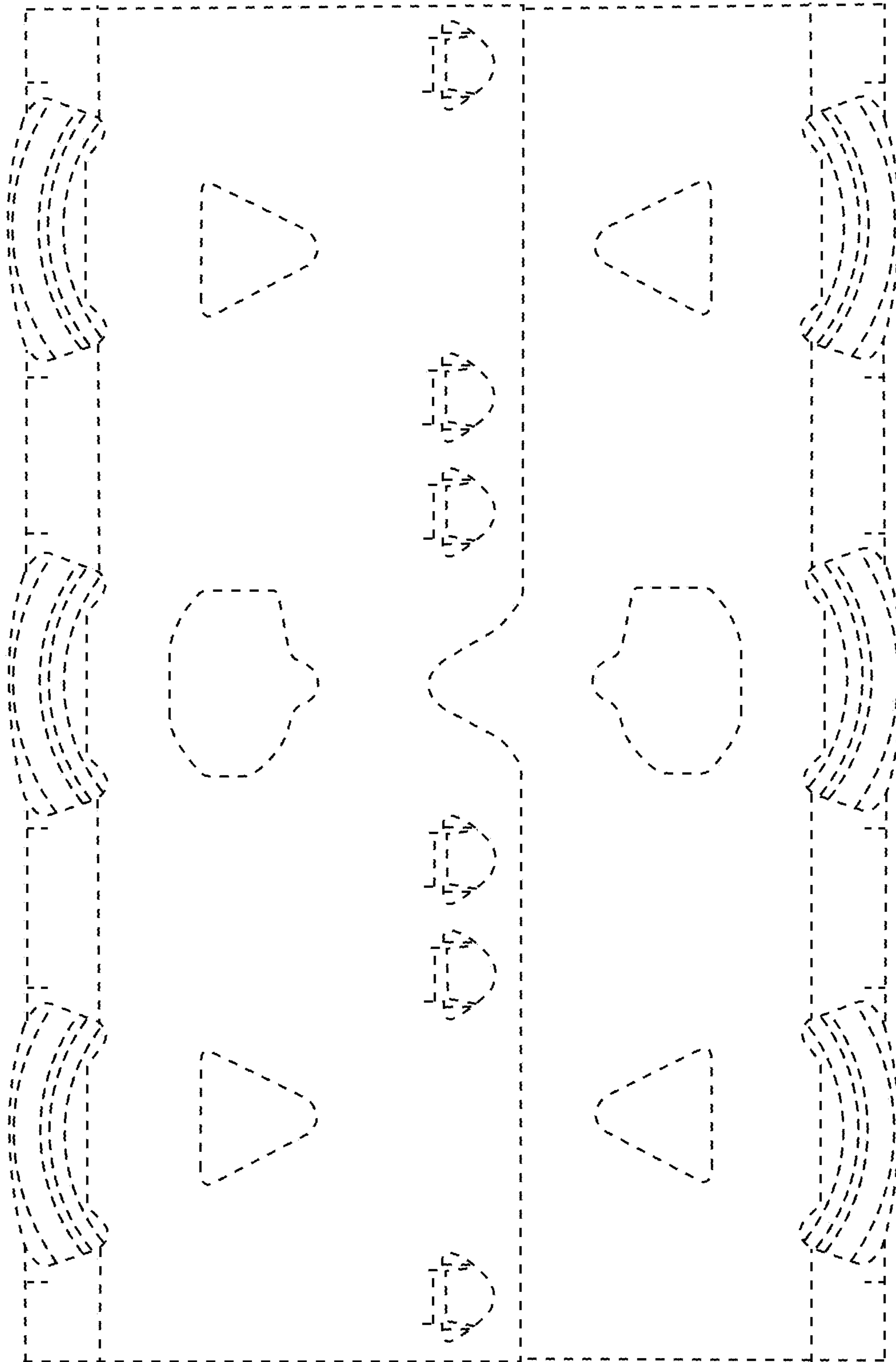


FIG.21