



US00D921489S

(12) **United States Design Patent**  
**Futral et al.**

(10) **Patent No.: US D921,489 S**  
(45) **Date of Patent: \*\* \*Jun. 8, 2021**

- (54) **DUAL GRIP CONTAINER**
- (71) Applicant: **RING CONTAINER TECHNOLOGIES, LLC**, Oakland, TN (US)
- (72) Inventors: **Daniel M. Futral**, Somerville, TN (US); **Theodore Guss**, Crystal Lake, IL (US); **Paul Vincent Kelley**, Arlington, TN (US)
- (73) Assignee: **RING CONTAINER TECHNOLOGIES, LLC**, Oakland, TN (US)
- (\*) Notice: This patent is subject to a terminal disclaimer.
- (\*\*) Term: **15 Years**
- (21) Appl. No.: **29/669,629**
- (22) Filed: **Nov. 9, 2018**
- (51) **LOC (13) Cl.** ..... **09-01**
- (52) **U.S. Cl.**  
USPC ..... **D9/543; D9/530**
- (58) **Field of Classification Search**  
USPC ..... D9/522, 523, 527, 528, 529, 542, 543, D9/558, 571, 574, 575, 530, 560, 563; D3/202; D7/622, 601  
CPC ..... B65D 1/0223; B65D 2501/0081; B65D 2543/00296; B65D 23/102; B65D 2543/00092  
See application file for complete search history.

- (56) **References Cited**  
U.S. PATENT DOCUMENTS  
D339,291 S \* 9/1993 Leigner ..... D9/542  
D370,850 S \* 6/1996 Beaver ..... D9/543  
D423,366 S \* 4/2000 Gans ..... D9/560  
D426,161 S \* 6/2000 Hesthave ..... D9/560

- D426,164 S \* 6/2000 Gans ..... D9/560
- D426,469 S \* 6/2000 Mankowski ..... D9/560
- D455,656 S \* 4/2002 Gans ..... D9/560
- D462,012 S \* 8/2002 Manderfield, Jr. .... D9/560
- D473,142 S \* 4/2003 Beaver ..... D9/530
- D480,312 S \* 10/2003 Mungur ..... D9/538
- D480,974 S \* 10/2003 Blank ..... D9/543
- D507,184 S \* 7/2005 Beaver ..... D9/530
- D541,662 S \* 5/2007 Little ..... D9/522
- H2204 H \* 10/2007 Smay ..... D9/560
- D586,222 S \* 2/2009 Little ..... D9/543
- D586,223 S \* 2/2009 Little ..... D9/543
- D588,008 S \* 3/2009 Flanagan-Kent ..... D9/543
- D591,600 S \* 5/2009 Dorn ..... D9/543
- D623,954 S \* 9/2010 Hawry ..... D9/522
- D641,246 S \* 7/2011 Maas ..... D9/543
- D726,020 S \* 4/2015 Rathbone ..... D9/543
- D760,085 S \* 6/2016 Su ..... D9/543
- D760,088 S \* 6/2016 Kaye ..... D9/516

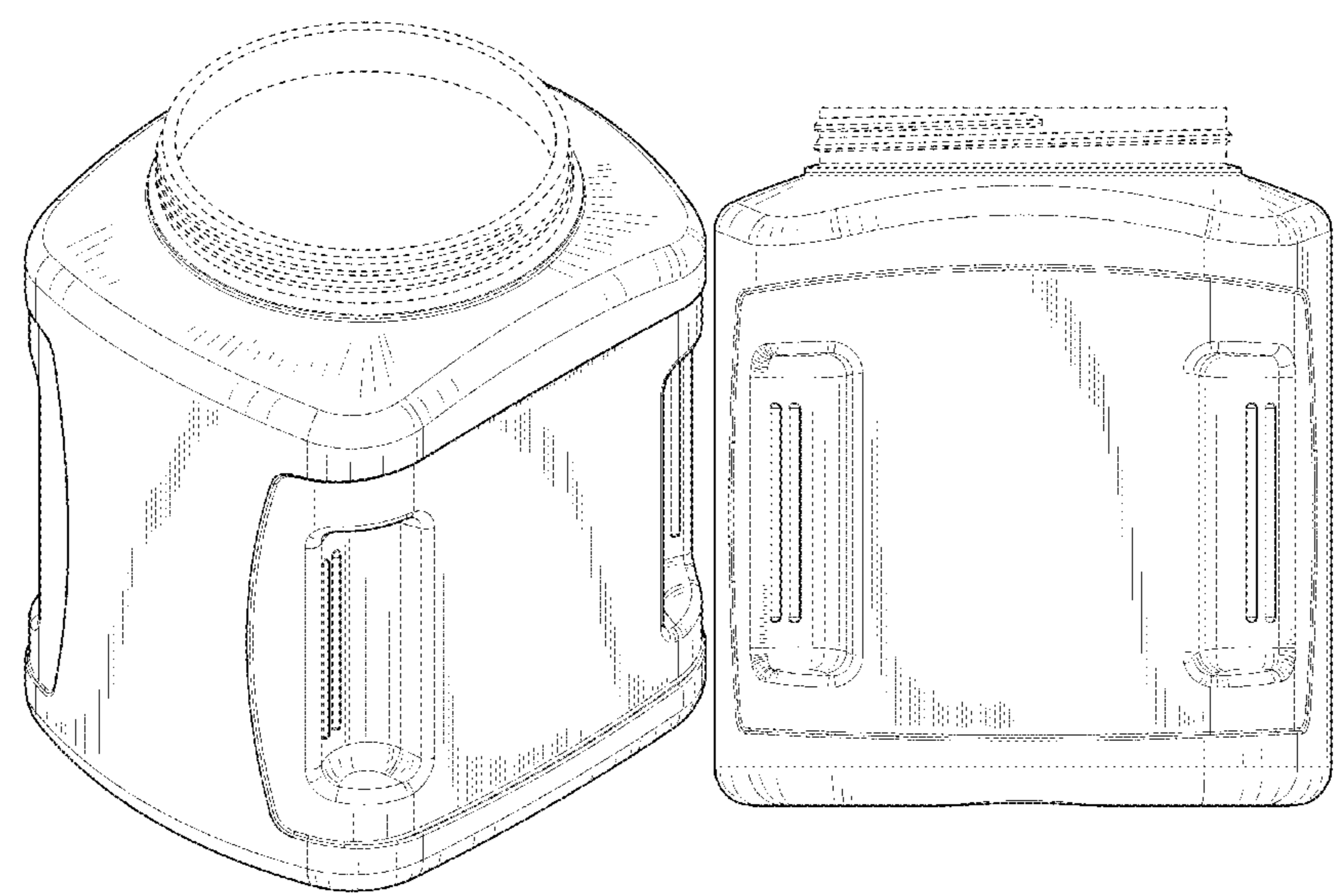
(Continued)

*Primary Examiner* — W. A. Teddy Falloway  
*Assistant Examiner* — Rani J Abdallah  
(74) *Attorney, Agent, or Firm* — Sorell, Lenna & Schmidt, LLP

(57) **CLAIM**  
The ornamental design for a dual grip container, as shown and described.

**DESCRIPTION**  
FIG. 1 is an isometric view of a dual grip container; FIG. 2 is a front view of the dual grip container, the back view being identical thereto; FIG. 3 is a left side view of the dual grip container, the right side view being identical thereto; FIG. 4 is a top view of the dual grip container; and, FIG. 5 is a bottom view of the dual grip container. The broken lines showing top inner, top outer, and bottom surfaces illustrate portions of the dual grip container or environmental structure and form no part of the claimed design.

**1 Claim, 5 Drawing Sheets**



(56)

**References Cited**

U.S. PATENT DOCUMENTS

D782,315 S *	3/2017	Mooney .....	D9/516
D788,592 S *	6/2017	Shaver .....	D9/542
D829,558 S *	10/2018	Rothfos .....	D9/560
D855,473 S *	8/2019	Liu .....	D9/563
D856,153 S *	8/2019	Liu .....	D9/563
2019/0248535 A1 *	8/2019	Liu .....	B65D 1/46
2020/0148419 A1 *	5/2020	Futral .....	B65D 23/102

\* cited by examiner

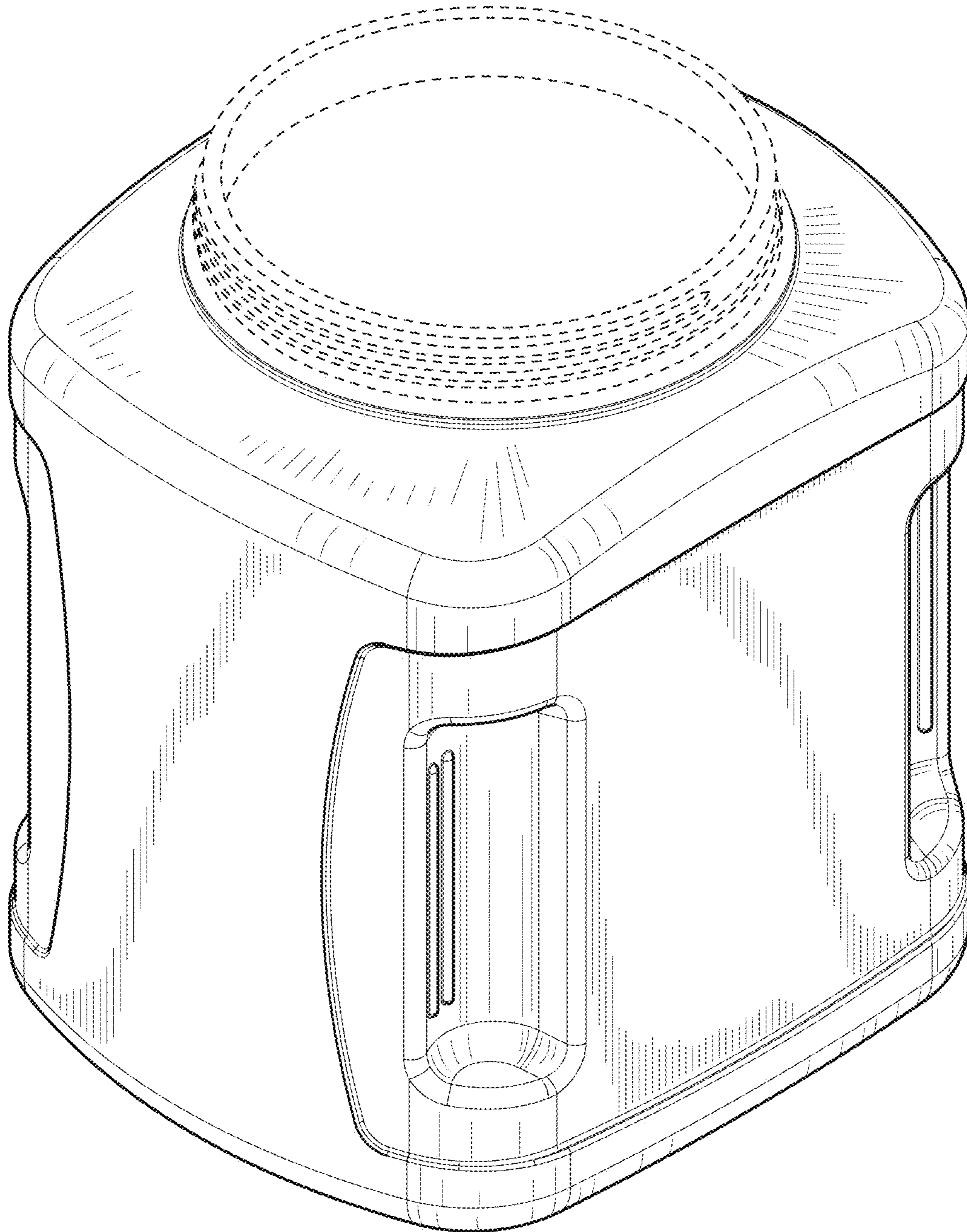


FIG. 1

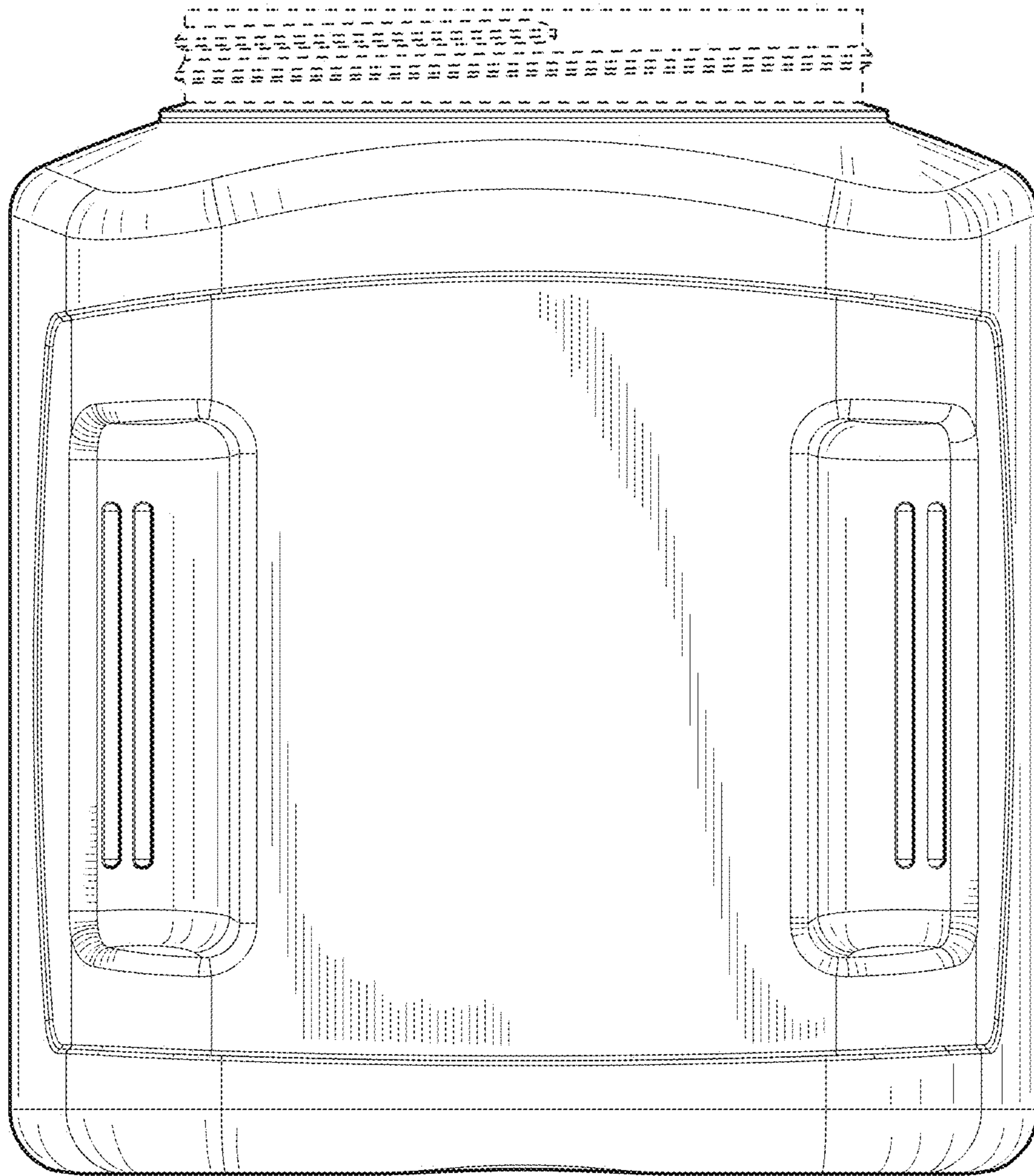


FIG. 2

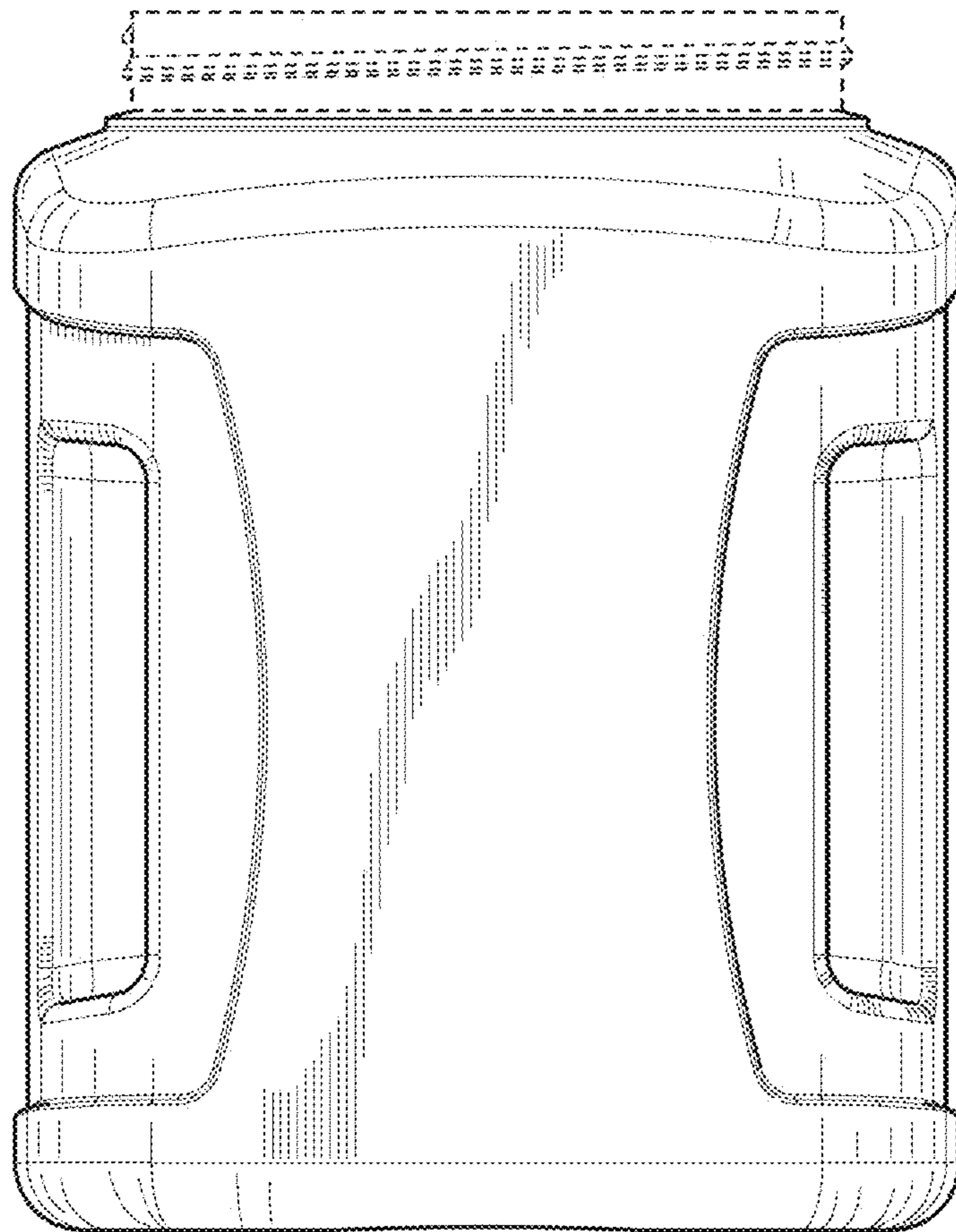


FIG. 3

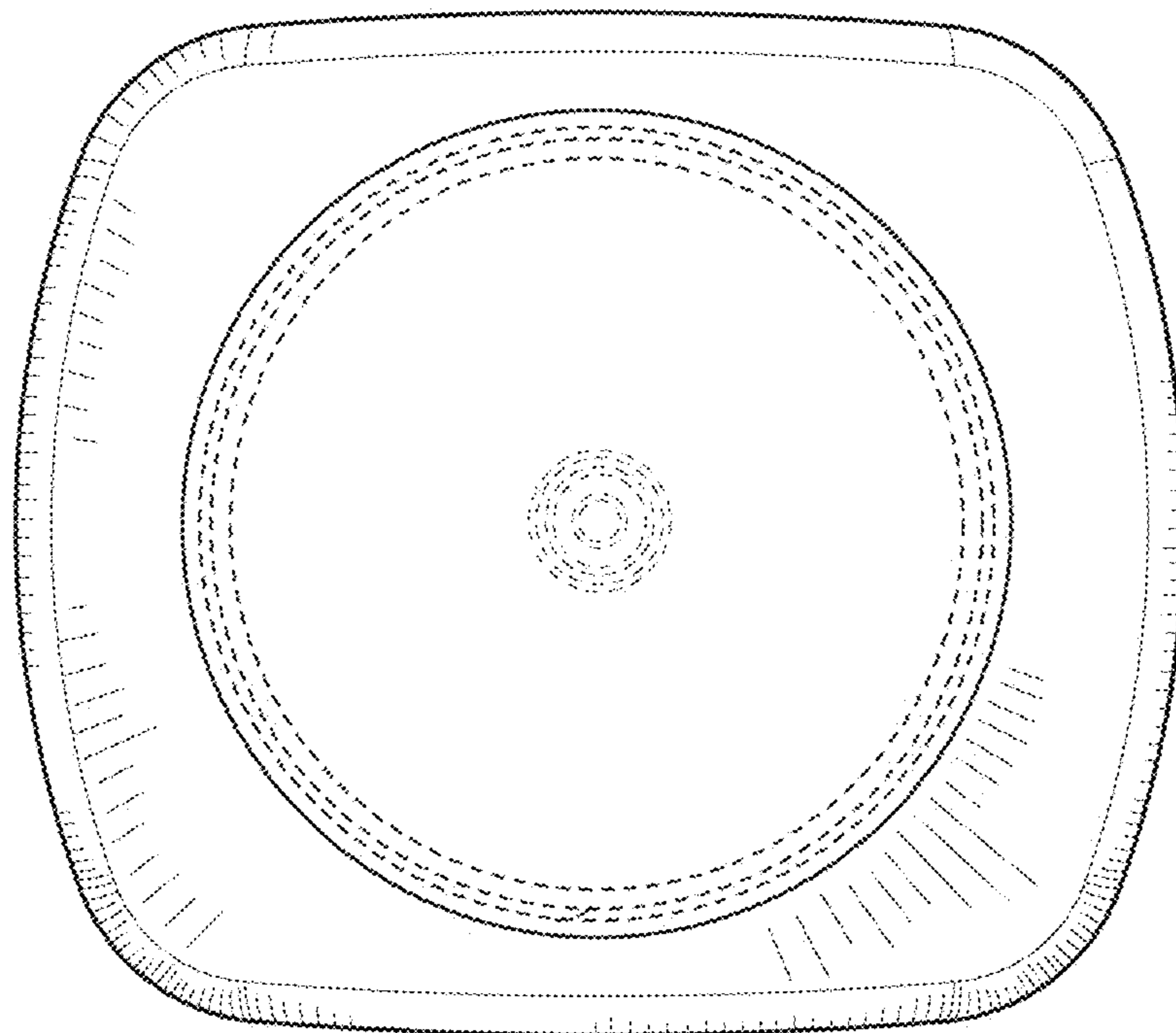


FIG. 4

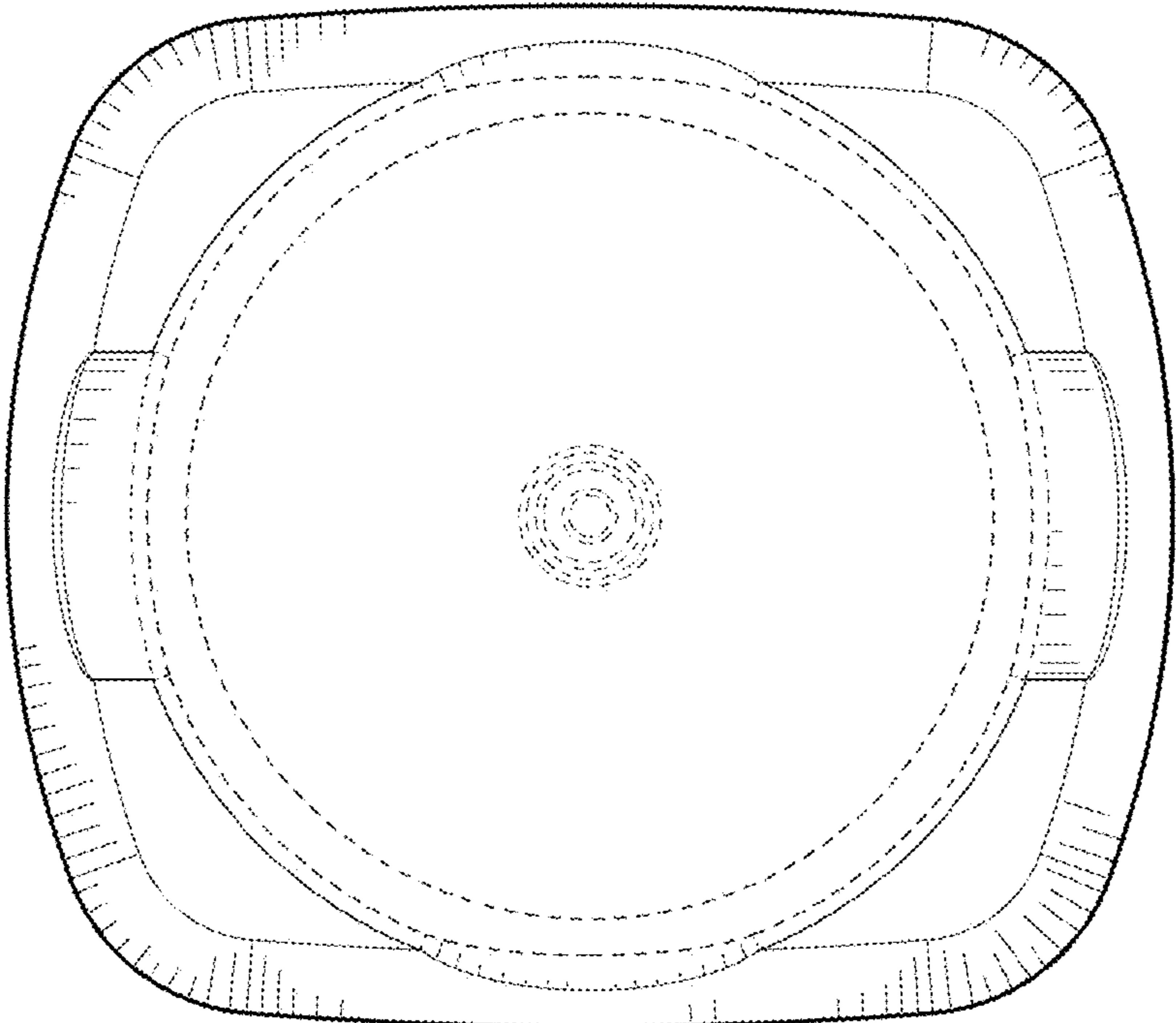


FIG. 5