



US00D921486S

(12) **United States Design Patent** (10) **Patent No.:** **US D921,486 S**
Van Den Bergh et al. (45) **Date of Patent:** **** Jun. 8, 2021**

(54) **SPRAY HEAD**

(71) Applicant: **The Procter & Gamble Company,**
Cincinnati, OH (US)

(72) Inventors: **Pieter Dirk Jenny Maria Van Den Bergh,** St. Martens Latem (BE);
Richard Hagee, Cincinnati, OH (US);
Mark Armstrong, London (GB)

(73) Assignee: **The Procter & Gamble Company,**
Cincinnati, OH (US)

(**) Term: **15 Years**

(21) Appl. No.: **29/695,721**

(22) Filed: **Jun. 21, 2019**

(30) **Foreign Application Priority Data**

Dec. 21, 2018 (WO) 970003723

(51) **LOC (13) Cl.** **09-07**

(52) **U.S. Cl.**
USPC **D9/448**

(58) **Field of Classification Search**
USPC D9/434, 435, 438-441, 443-454, 499,
D9/503-505, 682, 685, 686; D7/300.1,
D7/387, 391, 392, 392.1, 393, 394, 396.1,
D7/396.2, 506, 507, 510, 511, 533, 534,
D7/900; D3/202, 203.2, 294, 318;
D28/91, 91.1

CPC .. A61J 1/00; A61J 1/1412; B65D 1/00; B65D
1/02; B65D 1/10; B65D 1/46; B65D
5/46; B65D 41/00; B65D 41/38; B65D
41/56; B65D 41/62; B65D 47/00; B65D
47/06; B65D 47/08; B65D 2251/00;
B65D 2543/00046; B65D 2543/00092;
B65D 2543/00296

See application file for complete search history.

(56) **References Cited**

U.S. PATENT DOCUMENTS

D205,731 S	9/1966	Levy
D205,798 S	9/1966	Parcels
D259,182 S	5/1981	Polkingharn
5,341,965 A	8/1994	Maas
D376,318 S	12/1996	Hildebrand
D421,718 S	3/2000	Bodker
D446,721 S	8/2001	Kimble
D454,306 S	3/2002	Sweeton

(Continued)

FOREIGN PATENT DOCUMENTS

WO 2018134632 A1 7/2018

OTHER PUBLICATIONS

All Office Actions, U.S. Appl. No. 29/695,722.

(Continued)

Primary Examiner — Wendy L Arminio

(74) *Attorney, Agent, or Firm* — Melissa Krasovec

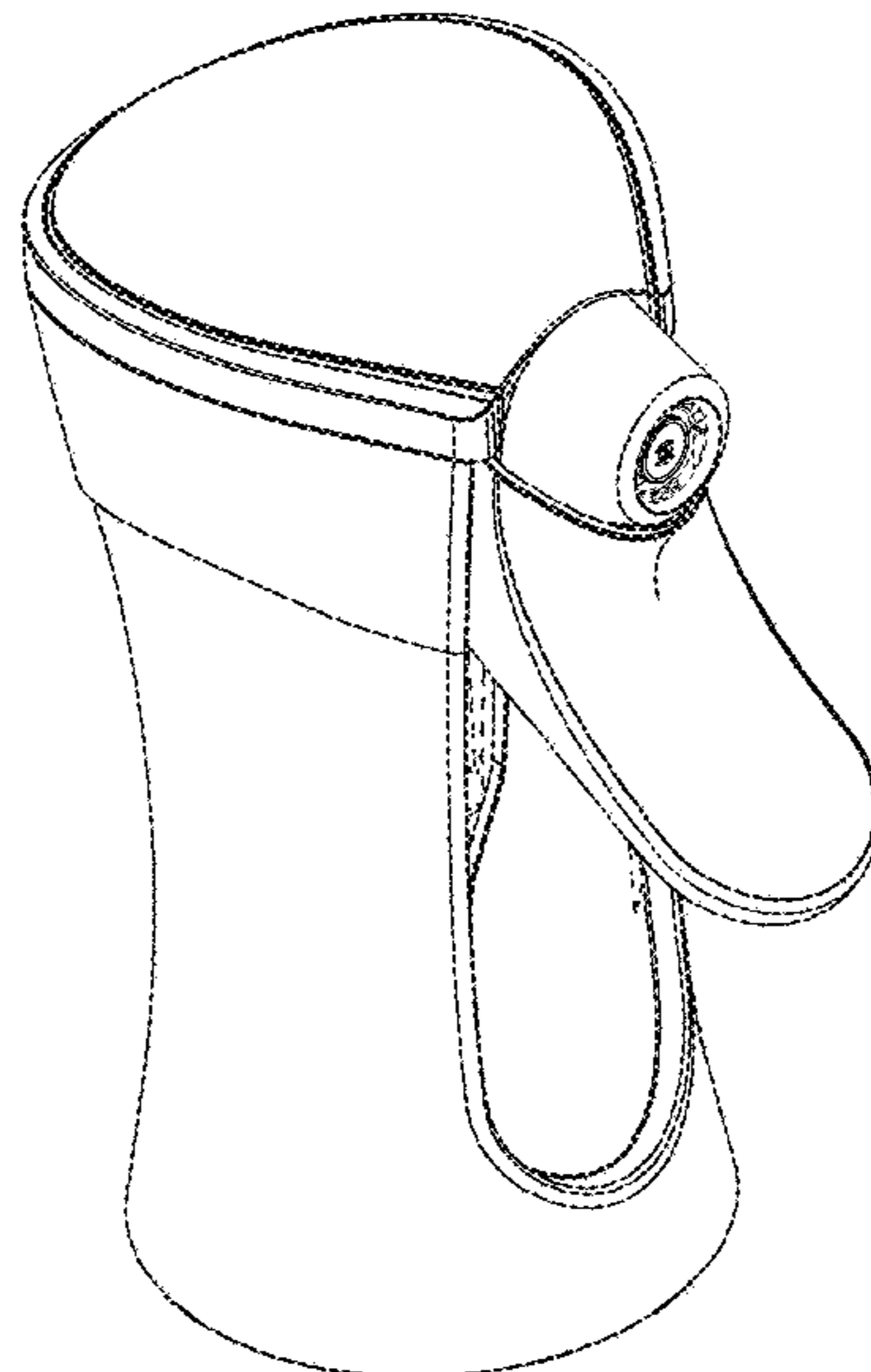
(57) **CLAIM**

The ornamental design for a spray head, as shown and described.

DESCRIPTION

FIG. 1 is a perspective view of a spray head;
FIG. 2 is a front view of the spray head shown in FIG. 1;
FIG. 3 is a back view of the spray head shown in FIG. 1;
FIG. 4 is a right side view of the spray head shown in FIG. 1;
FIG. 5 is a left side view of the spray head shown in FIG. 1;
FIG. 6 is a top view of the spray head shown in FIG. 1; and,
FIG. 7 is a bottom view of the spray head shown in FIG. 1.
The broken lines depict portions of the spray head that form no part of the claimed design.

1 Claim, 7 Drawing Sheets



(56)

References Cited

U.S. PATENT DOCUMENTS

D454,778 S * 3/2002 Siebert D9/434
 D468,194 S * 1/2003 Siebert D9/434
 D532,299 S 11/2006 Kuo
 D534,077 S 12/2006 Paas
 D539,143 S 3/2007 Arminak
 D558,590 S 1/2008 Cowan-hughes
 D570,214 S 6/2008 Foster
 D582,272 S * 12/2008 Cichy D9/448
 D583,677 S 12/2008 Harrison
 D588,456 S 3/2009 Dejong
 D589,795 S 4/2009 Sweeton
 D591,612 S 5/2009 Ames
 D595,575 S * 7/2009 Cichy D9/448
 D597,847 S 8/2009 Floyd
 D617,193 S 6/2010 Casey
 D622,143 S 8/2010 Hildebrand
 D646,575 S 10/2011 Davis
 D654,371 S 2/2012 Geeraert
 D660,150 S * 5/2012 Fournet D9/443
 D661,187 S 6/2012 Baranowski
 D672,240 S 12/2012 Baranowski
 D674,695 S * 1/2013 Thurin D9/448
 D674,706 S 1/2013 Birdwell
 D679,193 S 4/2013 Scott
 D698,660 S 2/2014 Maas
 D704,067 S 5/2014 Scott
 D705,651 S 5/2014 Neumann
 D736,640 S 8/2015 Ozamis
 D742,231 S 11/2015 Auth
 D746,135 S * 12/2015 Lind D9/448
 D755,046 S 5/2016 Bramwell
 D759,491 S 6/2016 Mazur
 D761,650 S * 7/2016 Hoeke D9/448
 D788,595 S 6/2017 Bontorno
 D788,596 S 6/2017 Bontorno
 D788,597 S 6/2017 Bontorno

D794,469 S 8/2017 Yen
 D807,752 S 1/2018 Koelsche
 D820,001 S 6/2018 Cannamela
 D821,212 S 6/2018 Cannamela
 D821,213 S 6/2018 Mazzei
 D821,214 S 6/2018 Mazur
 D821,882 S 7/2018 Cannamela
 D821,883 S 7/2018 Cannamela
 D822,486 S 7/2018 Clarke
 D822,493 S 7/2018 Cannamela
 D823,023 S 7/2018 Cannamela
 D830,194 S 10/2018 Maas
 10,328,447 B1 * 6/2019 Vandenberg B05B 11/3057
 D852,624 S 7/2019 Audet
 D866,325 S * 11/2019 Tu D9/448
 D867,135 S * 11/2019 Tu D9/448
 D867,136 S * 11/2019 Tu D9/448
 D871,912 S 1/2020 Mcgann
 D873,137 S * 1/2020 Takizawa D9/448
 D873,663 S * 1/2020 Browell D9/448
 D875,526 S * 2/2020 Bos D9/448
 D878,206 S * 3/2020 Natersky D9/448
 D883,795 S 5/2020 Yourist
 2003/0000961 A1 1/2003 Klima
 2005/0173560 A1 8/2005 Bitowft et al.
 2005/0233915 A1 10/2005 Smith
 2011/0108583 A1 5/2011 Sell
 2012/0048959 A1 3/2012 Maas
 2013/0140333 A1 6/2013 Sell
 2013/0153607 A1 6/2013 Sell
 2019/0232311 A1 * 8/2019 Hoefte B05B 15/14

OTHER PUBLICATIONS

All Office Actions, U.S. Appl. No. 29/695,723.
 All Office Actions, U.S. Appl. No. 29/695,724.
 All Office Actions; U.S. Appl. No. 29/695,718.
 All Office Actions; U.S. Appl. No. 29/695,719.

* cited by examiner

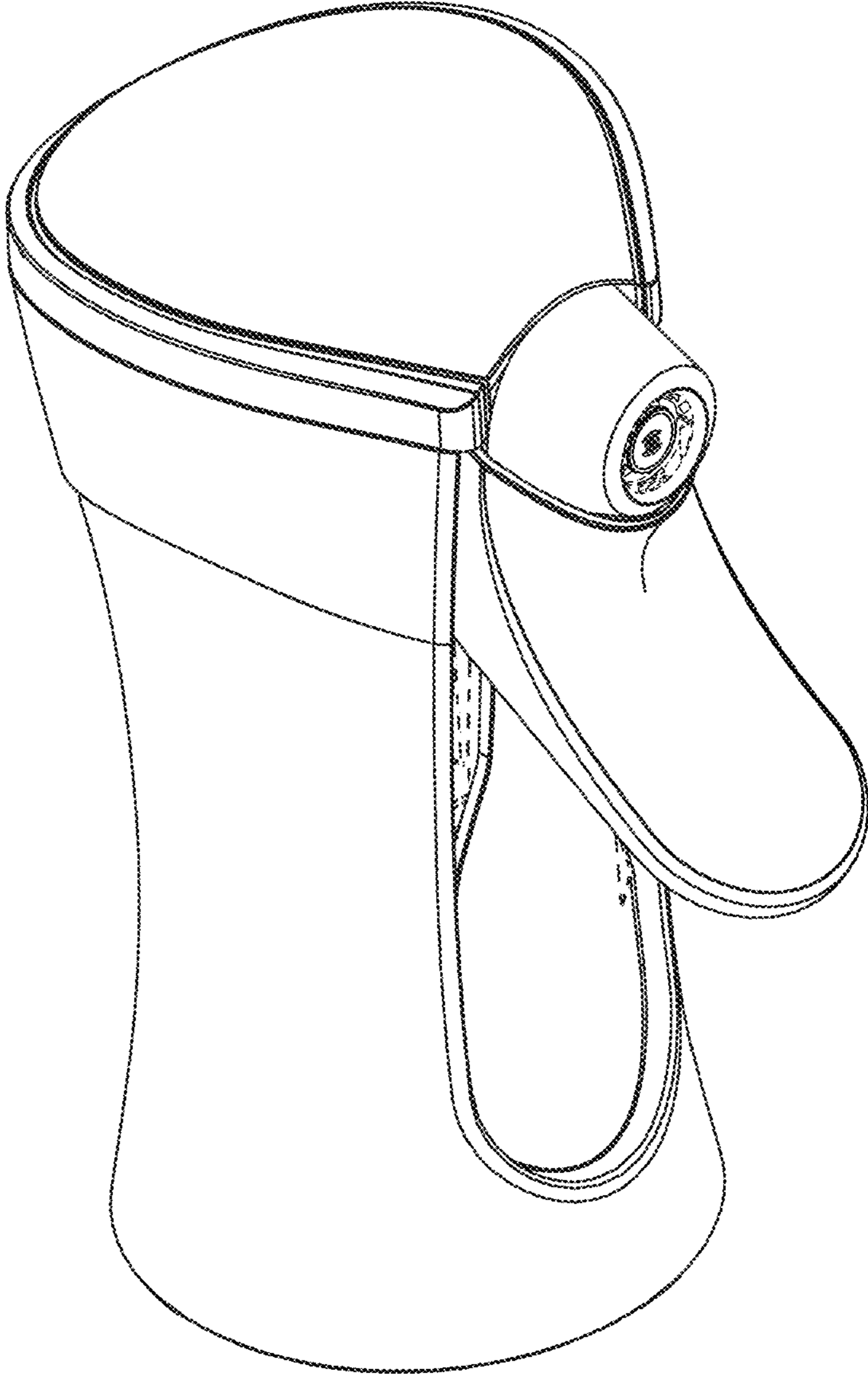


FIG. 1

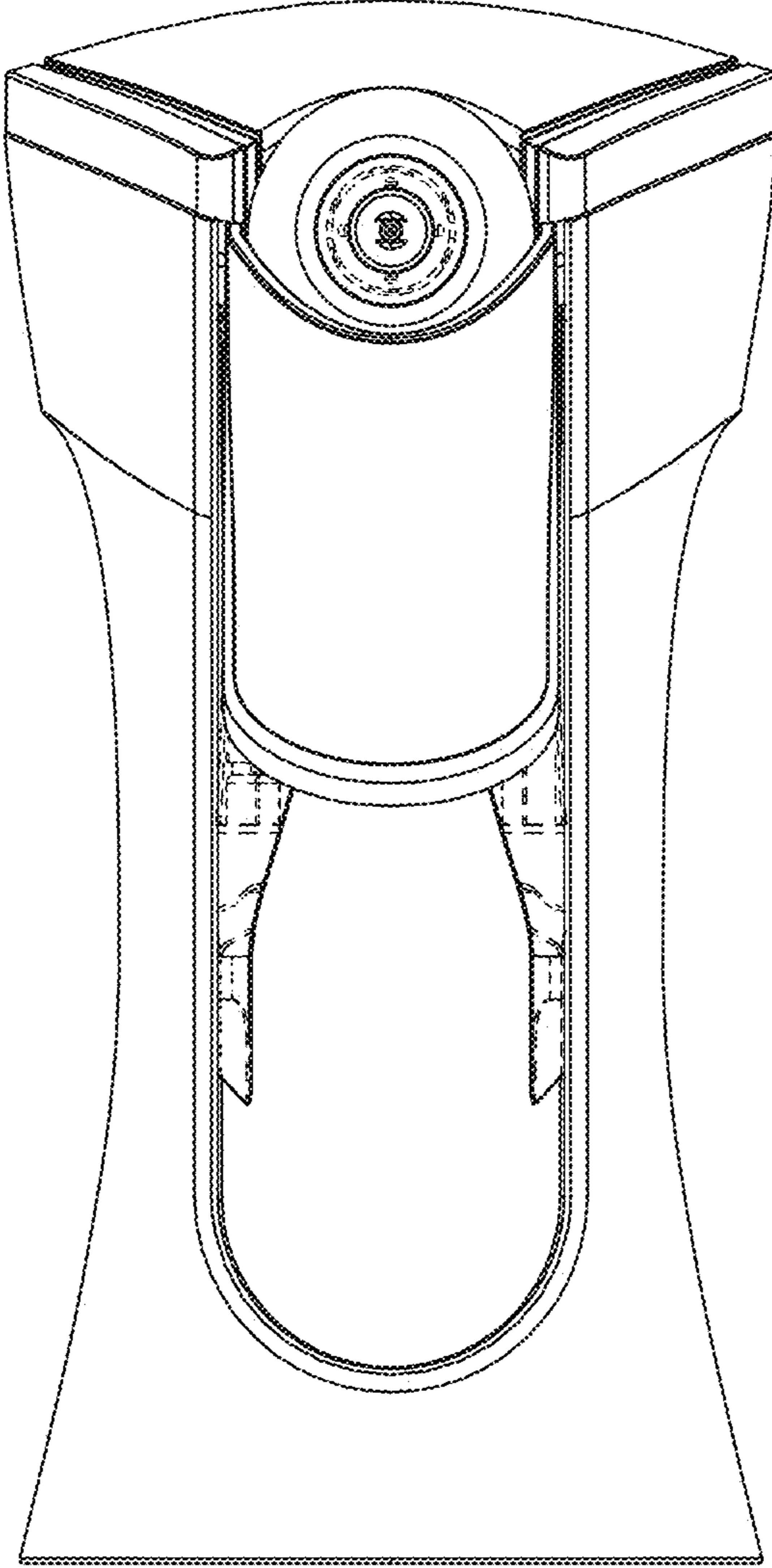


FIG. 2

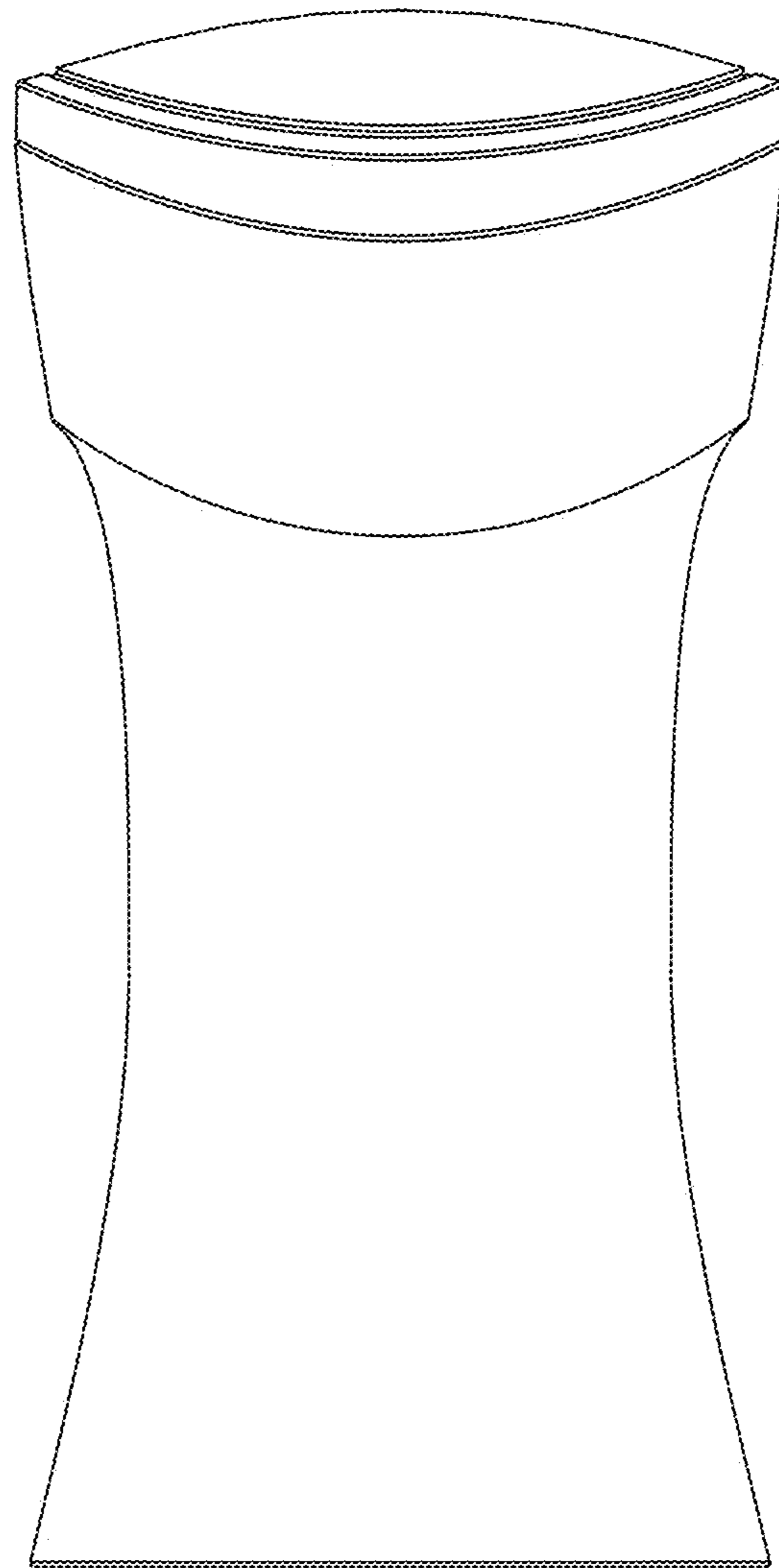


FIG. 3

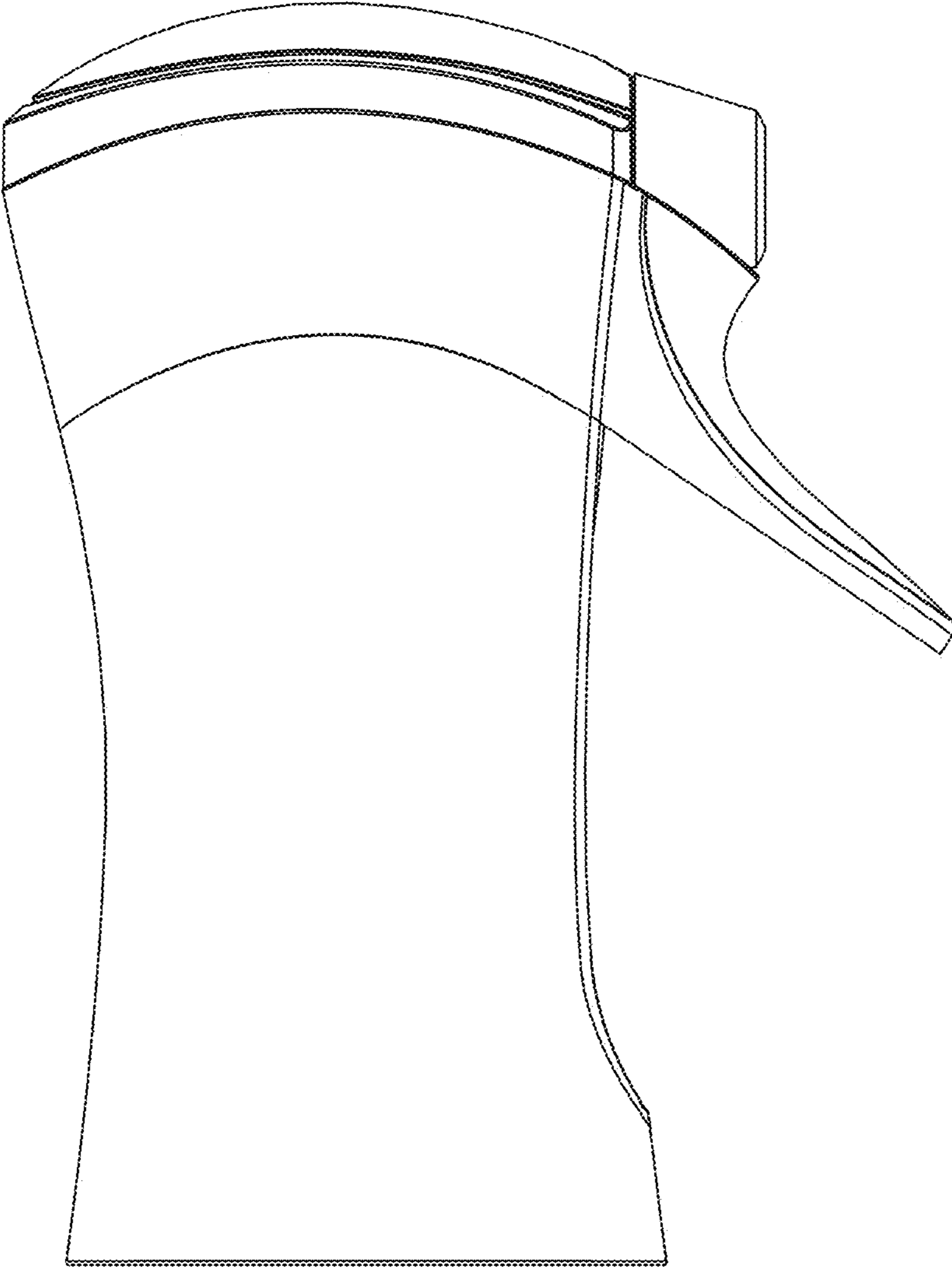


FIG. 4

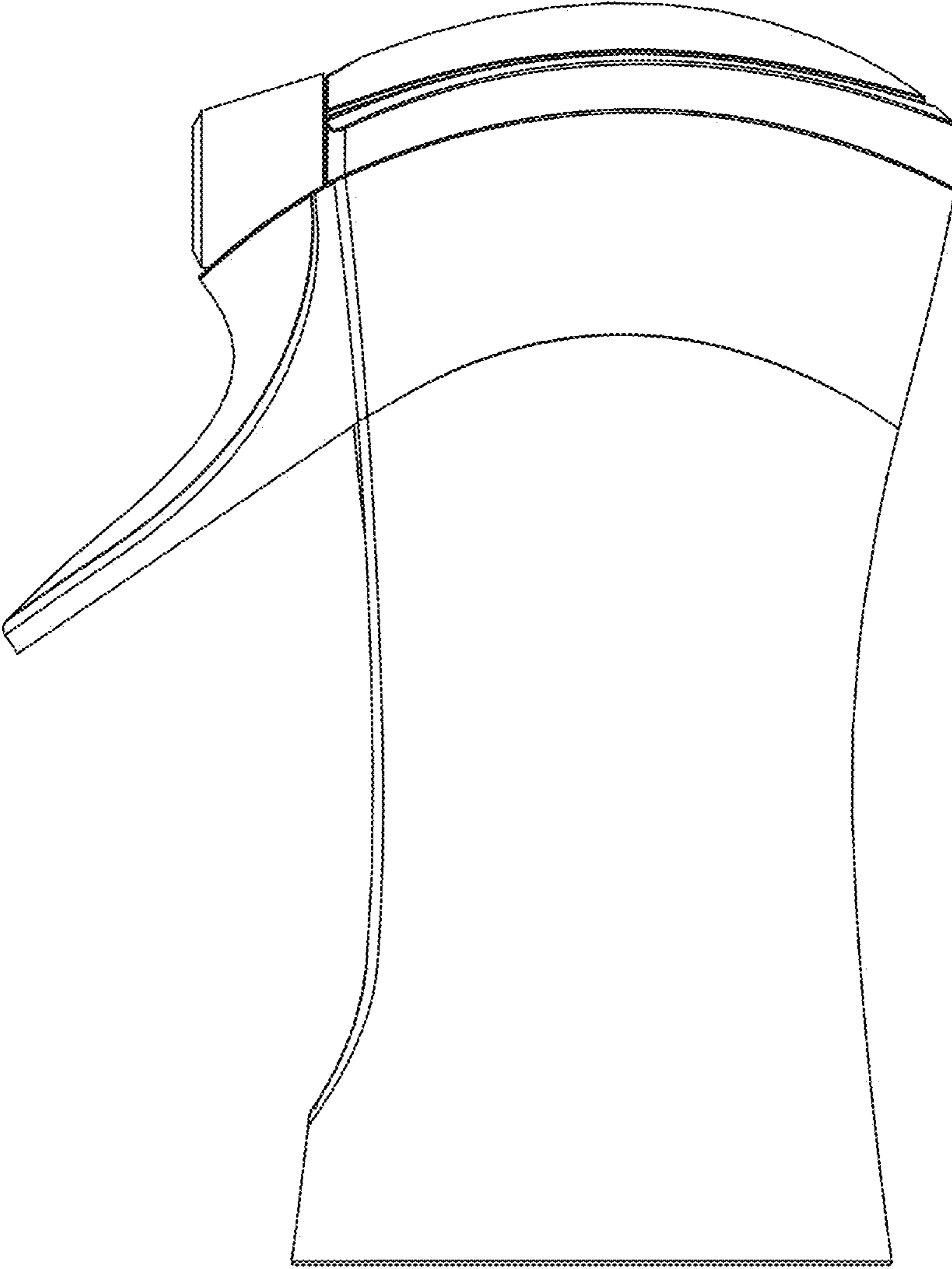


FIG. 5

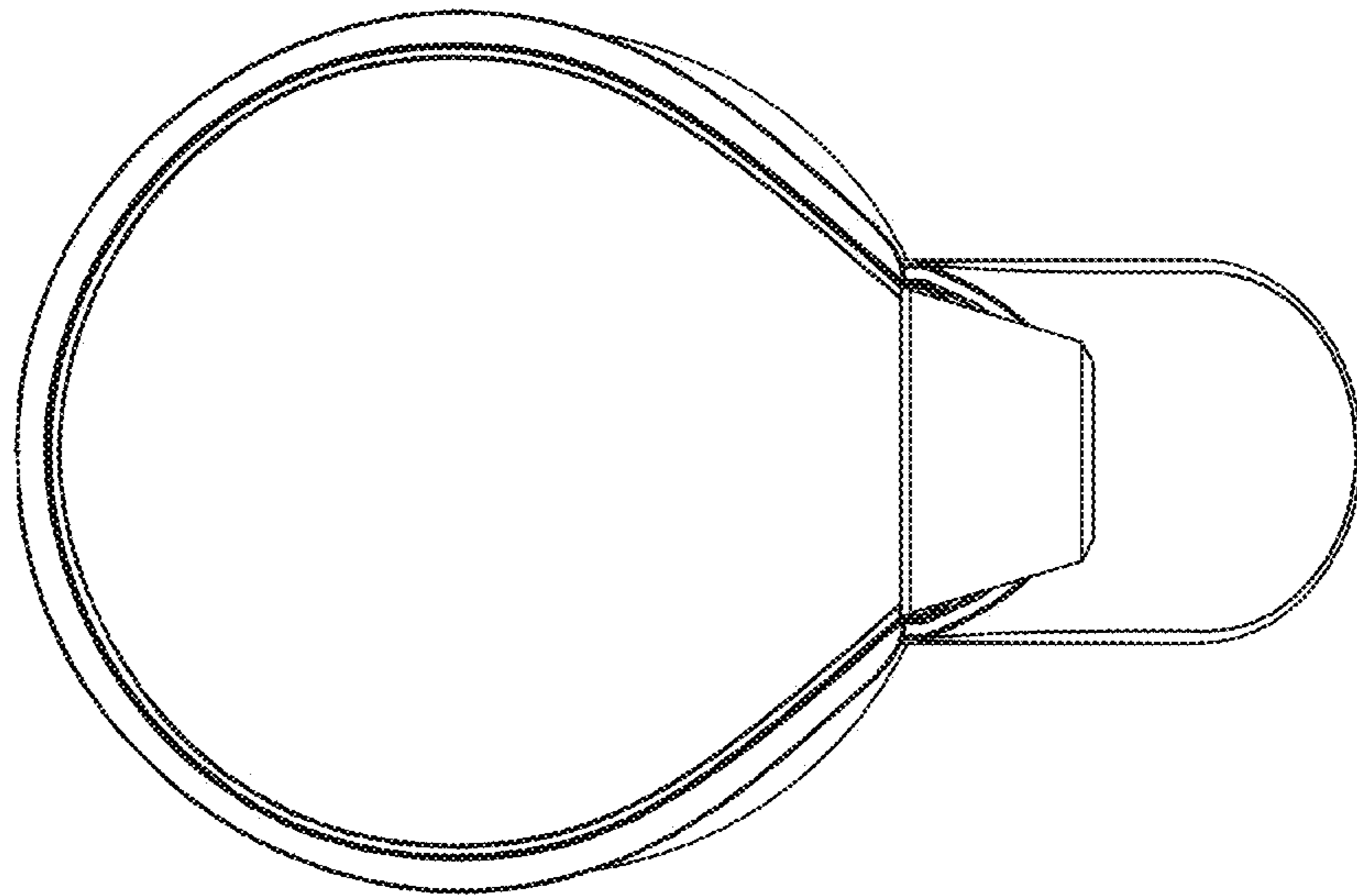


FIG. 6

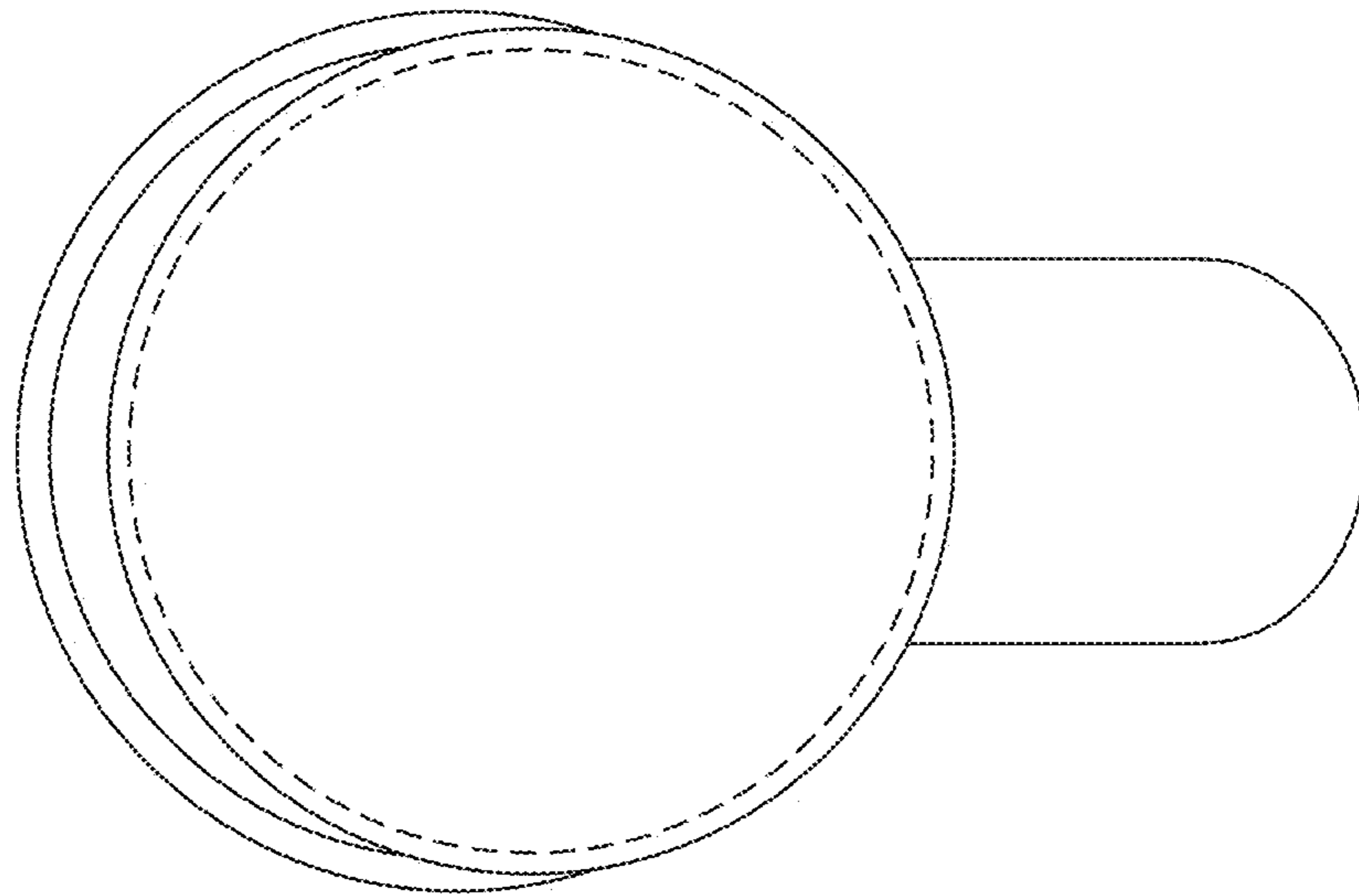


FIG. 7