



US00D921485S

(12) **United States Design Patent**  
**Woodruff**

(10) **Patent No.:** **US D921,485 S**

(45) **Date of Patent:** **\*\* Jun. 8, 2021**

(54) **BOTTLE CAP**

(71) Applicant: **Jeremy Woodruff**, Enid, OK (US)

(72) Inventor: **Jeremy Woodruff**, Enid, OK (US)

(\*\*) Term: **15 Years**

(21) Appl. No.: **29/693,373**

(22) Filed: **Jun. 2, 2019**

(51) **LOC (13) Cl.** ..... **09-07**

(52) **U.S. Cl.**  
USPC ..... **D9/436; D7/392.1; D7/643**

(58) **Field of Classification Search**  
USPC ..... D3/201, 202; D7/387, 391, 392.1, 394,  
D7/397, 401.1, 401.2, 642, 643, 649, 650,  
D7/653, 396.2, 509-511, 538, 900;  
D9/434, 435, 436, 439, 440, 442, 443,  
D9/446-450, 499, 686

CPC .... B65D 51/24; B65D 51/242; B65D 1/0207;  
B65D 1/0246; B65D 41/04; B65D 41/06;  
B65D 53/02; F41B 13/08

See application file for complete search history.

(56) **References Cited**

**U.S. PATENT DOCUMENTS**

|               |         |           |       |             |
|---------------|---------|-----------|-------|-------------|
| D48,994 S *   | 5/1916  | Sutter    | ..... | D9/436      |
| 1,917,670 A * | 7/1933  | Spiller   | ..... | B65D 51/242 |
|               |         |           |       | 222/105     |
| D116,066 S *  | 8/1939  | Twomey    | ..... | D9/436      |
| D183,883 S *  | 11/1958 | Gordon    | ..... | D7/643      |
| D191,387 S *  | 9/1961  | Hansen    | ..... | D9/436      |
| D203,710 S *  | 2/1966  | Woodard   | ..... | D9/450      |
| D302,793 S *  | 8/1989  | Yamaguchi | ..... | D9/436      |
| D339,036 S *  | 9/1993  | McDaniel  | ..... | D7/643      |
| D491,420 S *  | 6/2004  | Shibata   | ..... | D7/653      |
| D499,023 S *  | 11/2004 | Amos      | ..... | D10/101     |
| D621,232 S *  | 8/2010  | Lion      | ..... | D7/653      |
| D631,285 S *  | 1/2011  | Smiedt    | ..... | D7/392.1    |
| D715,143 S *  | 10/2014 | Hewitt    | ..... | D9/436      |

|                   |         |              |       |             |
|-------------------|---------|--------------|-------|-------------|
| D715,646 S *      | 10/2014 | Fraser       | ..... | D9/436      |
| D758,791 S *      | 6/2016  | Hanna        | ..... | D7/392.1    |
| D762,472 S *      | 8/2016  | Tahmas       | ..... | D9/436      |
| D779,937 S *      | 2/2017  | Lane         | ..... | D9/436      |
| D797,525 S *      | 9/2017  | Garza, Jr.   | ..... | D7/653      |
| D799,280 S *      | 10/2017 | Shalev       | ..... | D7/653      |
| D811,877 S *      | 3/2018  | Yu           | ..... | D9/436      |
| D818,775 S *      | 5/2018  | Woodruff     | ..... | D7/510      |
| D823,110 S *      | 7/2018  | Koe          | ..... | D9/436      |
| D825,330 S *      | 8/2018  | Tahmas       | ..... | D9/436      |
| D865,442 S *      | 11/2019 | Hunter       | ..... | D7/396.2    |
| D874,883 S *      | 2/2020  | Blessinger   | ..... | D7/653      |
| D885,123 S *      | 5/2020  | Vollmer, Jr. | ..... | D7/392.1    |
| 2018/0148239 A1 * | 5/2018  | Woodruff     | ..... | B65D 1/0207 |
| 2018/0170634 A1 * | 6/2018  | Woodruff     | ..... | F41B 13/10  |

**OTHER PUBLICATIONS**

Utensil Lid: Site Visited [Aug. 14, 2020] [Online]. Available from Internet URL: <https://www.zulily.com/p/blue-clear-utensil-lid-three-container-storage-set-443316-87896182.html>.\*

\* cited by examiner

*Primary Examiner* — Catherine S Posthauer

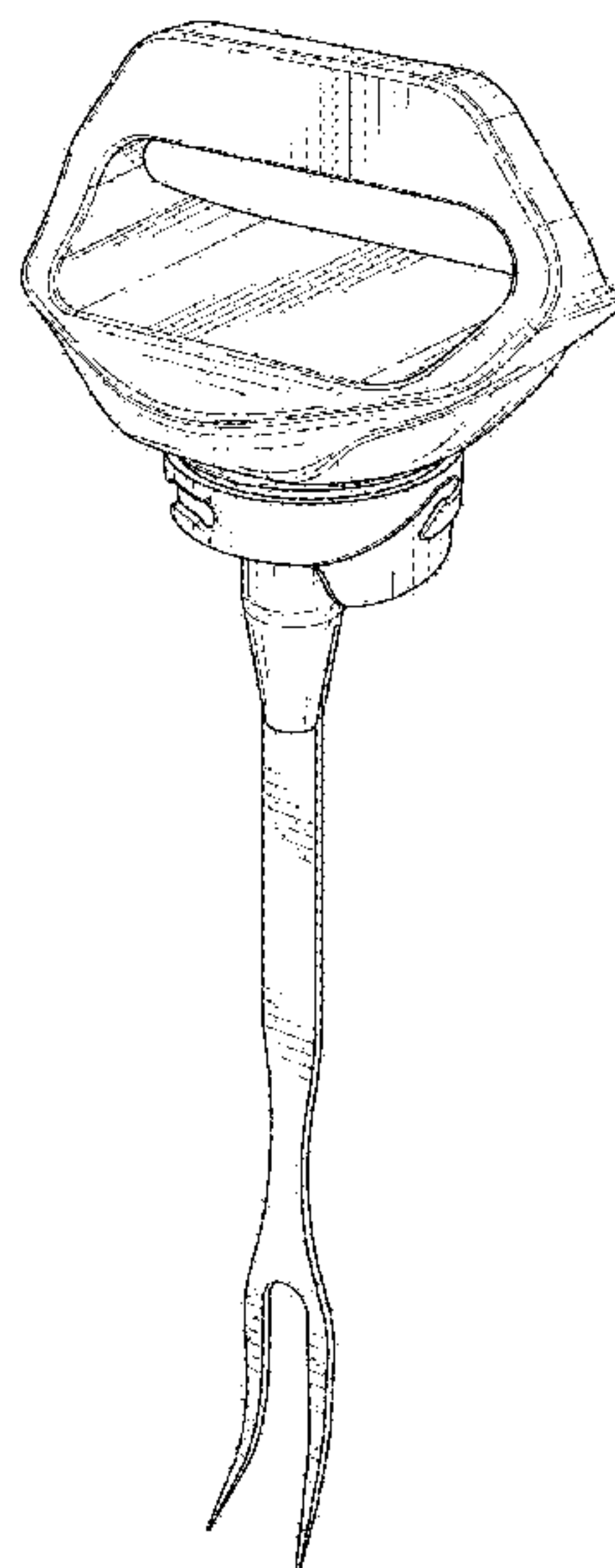
(57) **CLAIM**

The ornamental design for a bottle cap, as shown and described.

**DESCRIPTION**

FIG. 1 is a top, front, right perspective view of a bottle cap showing our new design;  
FIG. 2 is a front view thereof;  
FIG. 3 is a rear view thereof;  
FIG. 4 is a right side view thereof;  
FIG. 5 is a left side view thereof;  
FIG. 6 is a top view thereof;  
FIG. 7 is a bottom view thereof; and,  
FIG. 8 is a bottom, rear, left perspective view thereof.

**1 Claim, 7 Drawing Sheets**



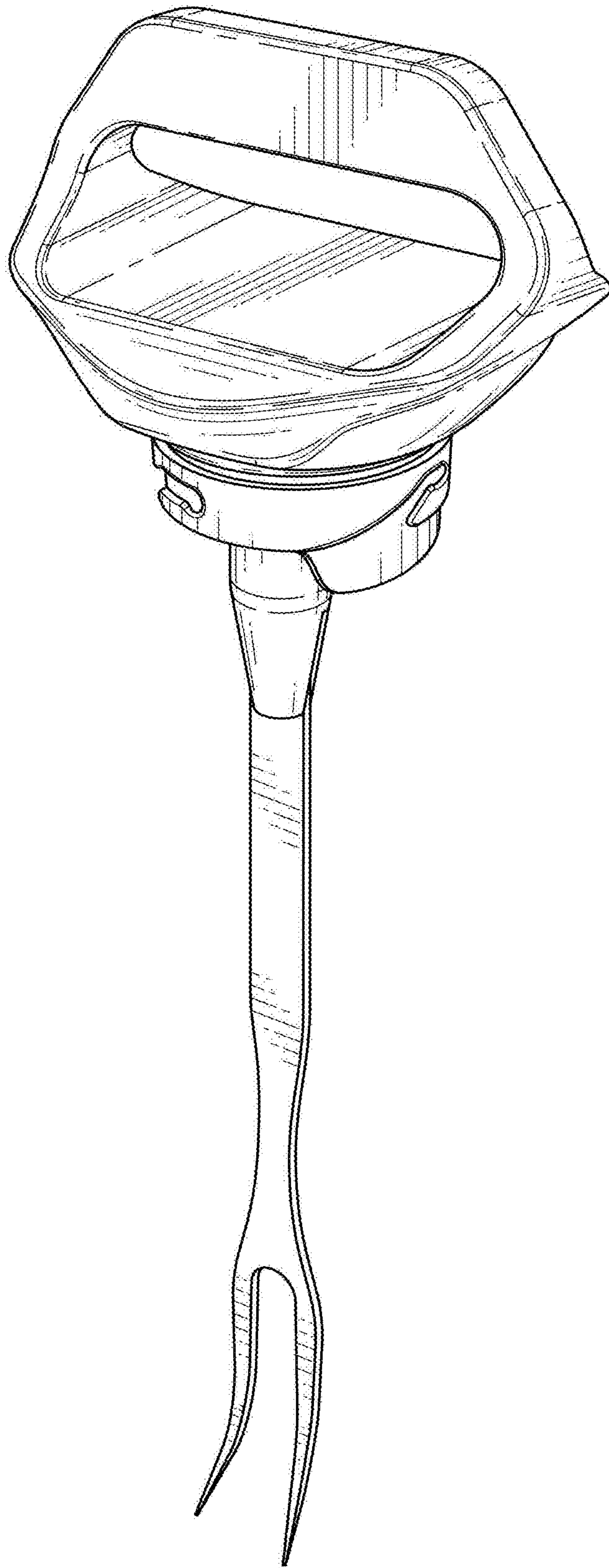


FIG. 1

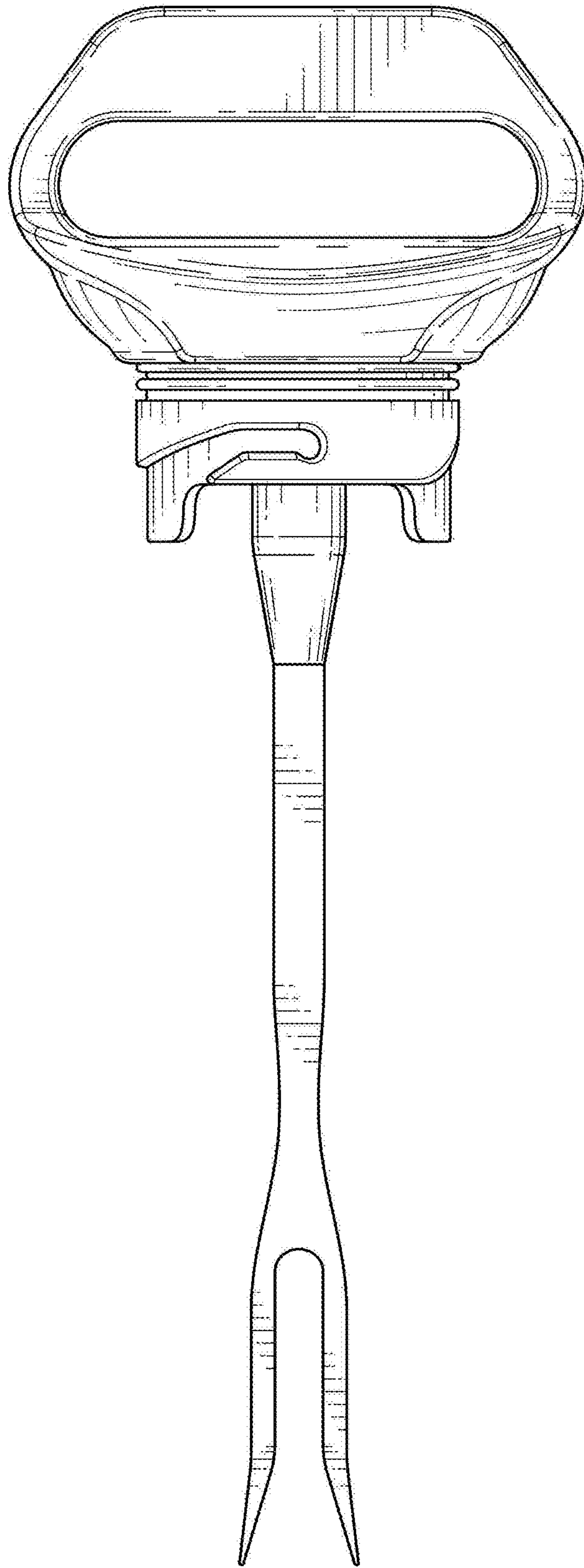


FIG. 2

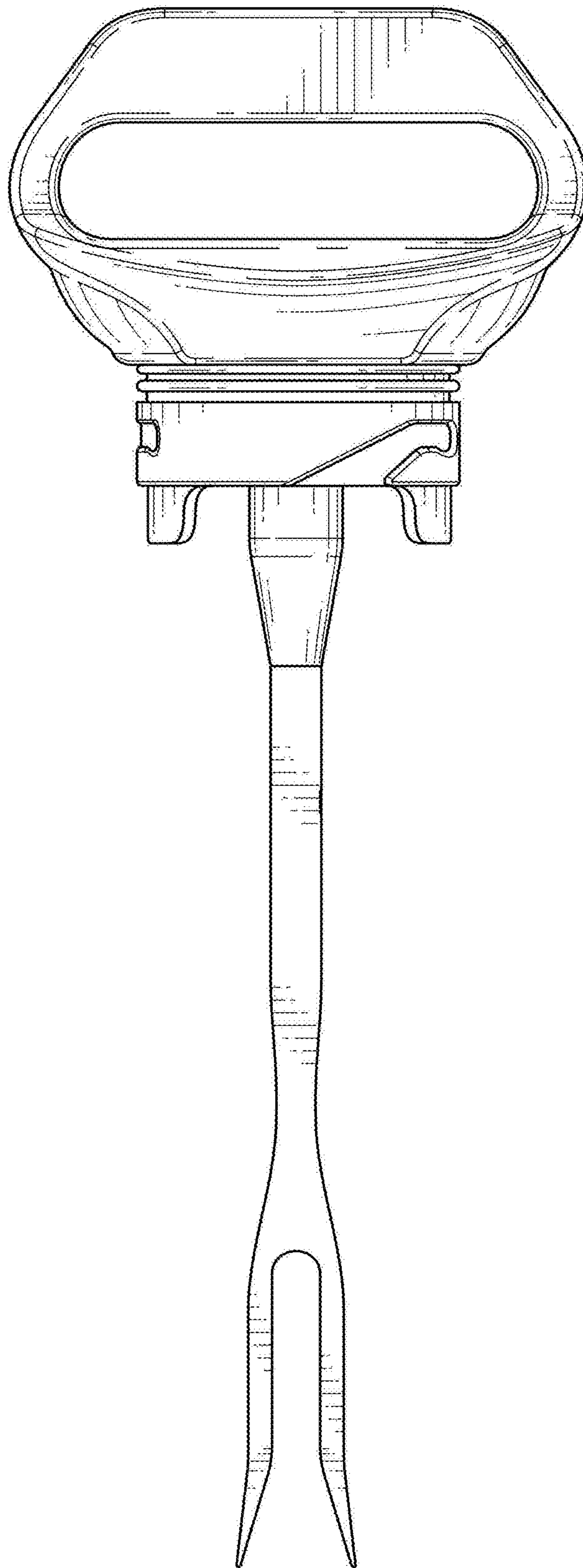


FIG. 3



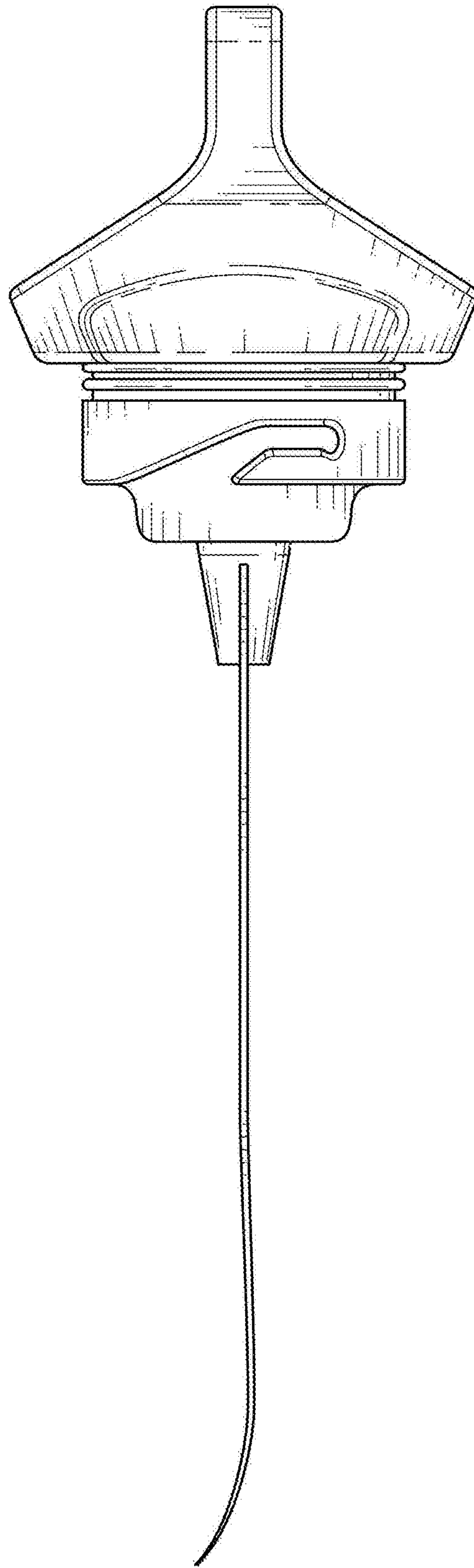


FIG. 4

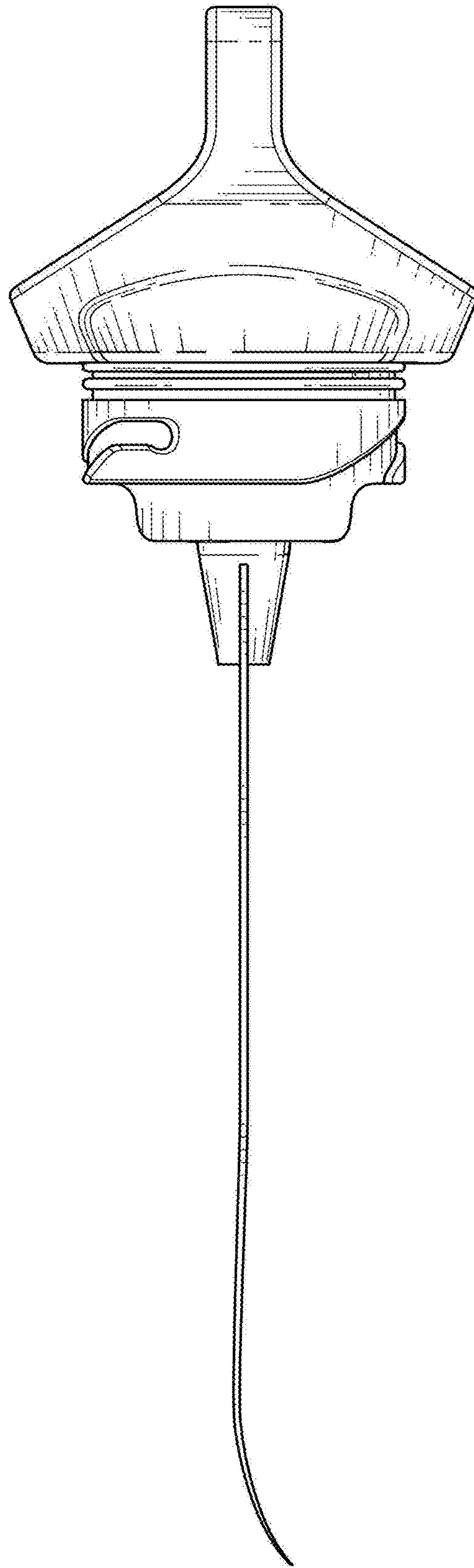


FIG. 5

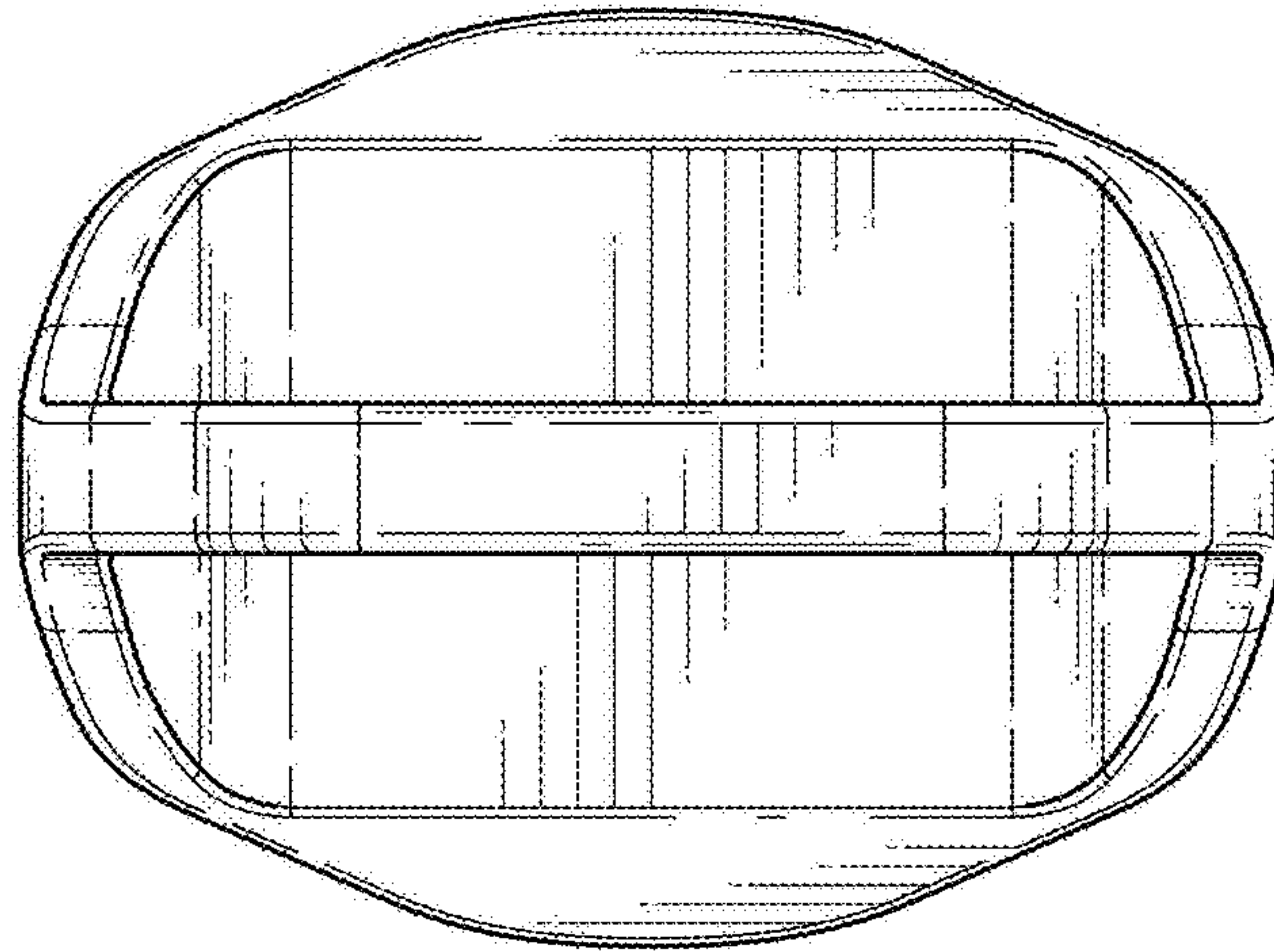


FIG. 6

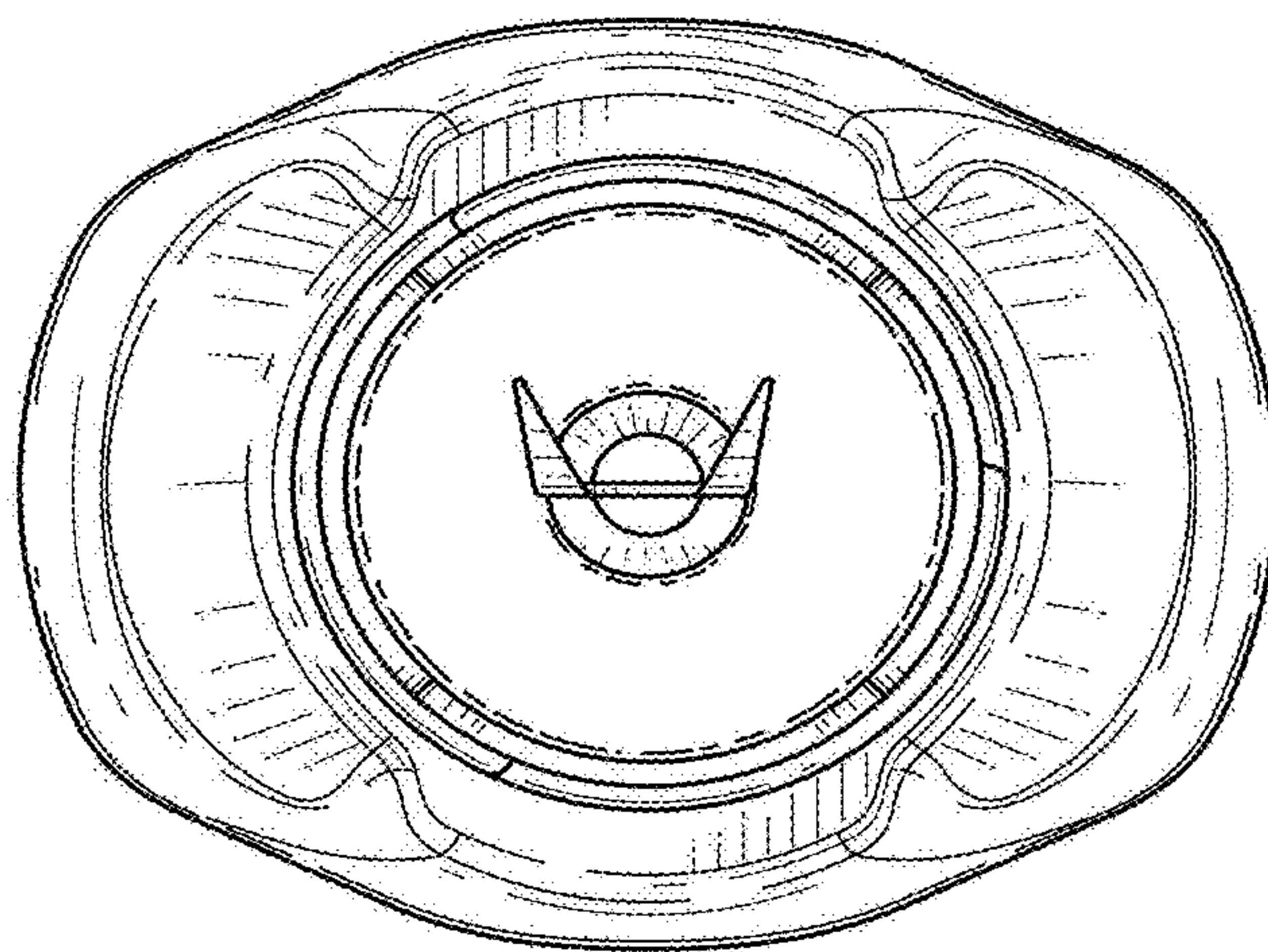


FIG. 7

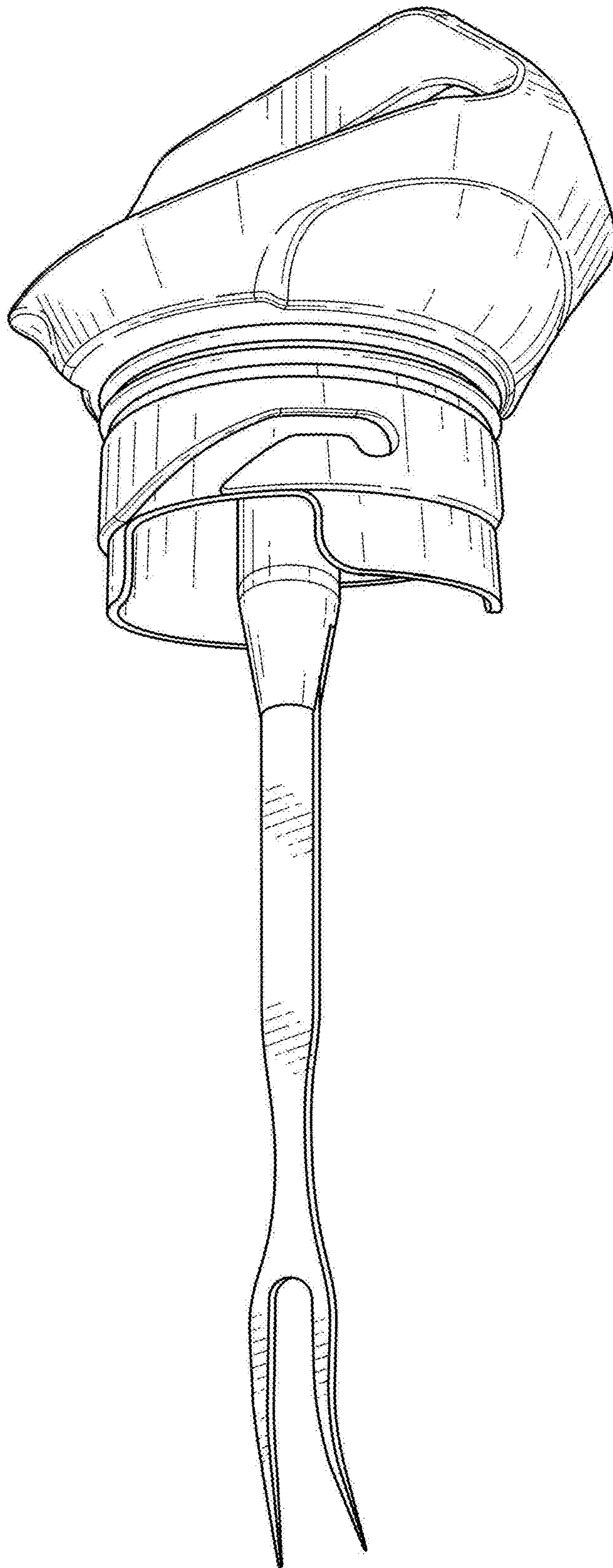


FIG. 8