



US00D921480S

(12) **United States Design Patent**
Marotti et al.

(10) **Patent No.:** **US D921,480 S**
(45) **Date of Patent:** **** *Jun. 8, 2021**

(54) **PACKAGE FOR ORAL CARE PRODUCTS**

DESCRIPTION

- (71) Applicant: **The Procter & Gamble Company**, Cincinnati, OH (US)
- (72) Inventors: **Martin Jay Marotti**, Carmel, IN (US);
Andrew Martin Joseph Gauvin, Pittsford, NY (US)
- (73) Assignee: **The Procter & Gamble Company**, Cincinnati, OH (US)
- (*) Notice: This patent is subject to a terminal disclaimer.
- (**) Term: **15 Years**
- (21) Appl. No.: **29/606,540**
- (22) Filed: **Jun. 6, 2017**
- (51) **LOC (13) Cl.** **09-03**
- (52) **U.S. Cl.**
USPC **D9/418**
- (58) **Field of Classification Search**
USPC D9/414, 415, 416, 417, 418, 419, 420,
D9/430, 431, 432, 433, 445, 447, 449,
D9/456; 206/443, 589
(Continued)

(56) **References Cited**

U.S. PATENT DOCUMENTS

- D96,552 S * 8/1935 Houghton, Jr. D11/143
 - D125,781 S * 3/1941 Nagle D9/418
- (Continued)

Primary Examiner — Sandra Snapp
Assistant Examiner — Mehri Bajoul

(74) *Attorney, Agent, or Firm* — Parker D. McCrary;
Jason Jeffrey Camp; David Viesturs Upite

(57) **CLAIM**

The ornamental design for package for oral care products, as shown and described.

FIG. 1 is a perspective view of package for oral care products, showing our design according to the first embodiment;

FIG. 2 is a front view thereof;

FIG. 3 is a back view thereof;

FIG. 4 is a left view thereof;

FIG. 5 is a right view thereof;

FIG. 6 is a top view thereof;

FIG. 7 is a bottom view thereof;

FIG. 8 is a perspective view of package for oral care products, showing our design according to the second embodiment;

FIG. 9 is a front view thereof;

FIG. 10 is a back view thereof;

FIG. 11 is a left view thereof;

FIG. 12 is a right view thereof;

FIG. 13 is a top view thereof;

FIG. 14 is a bottom view thereof;

FIG. 15 is a perspective view of package for oral care products, showing our design according to the third embodiment;

FIG. 16 is a front view thereof;

FIG. 17 is a back view thereof;

FIG. 18 is a left view thereof;

FIG. 19 is a right view thereof;

FIG. 20 is a top view thereof;

FIG. 21 is a bottom view thereof;

FIG. 22 is a perspective view of package for oral care products, showing our design according to the fourth embodiment;

FIG. 23 is a front view thereof;

FIG. 24 is a back view thereof;

FIG. 25 is a left view thereof;

FIG. 26 is a right view thereof;

FIG. 27 is a top view thereof;

FIG. 28 is a bottom view thereof;

FIG. 29 is a perspective view of package for oral care products, showing our design according to the fifth embodiment;

FIG. 30 is a front view thereof;

FIG. 31 is a back view thereof;

FIG. 32 is a left view thereof;

(Continued)

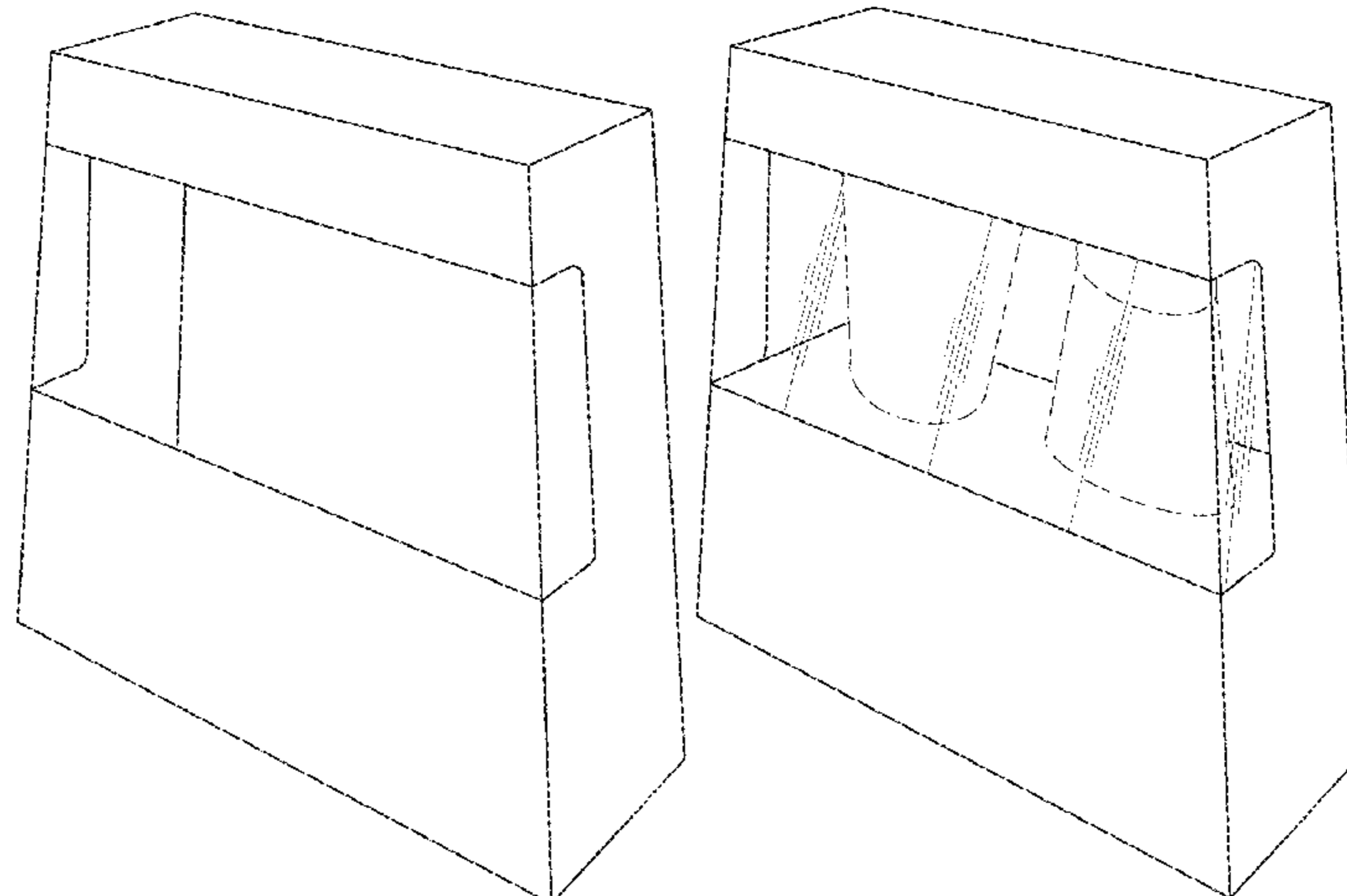


FIG. 33 is a right view thereof;
 FIG. 34 is a top view thereof;
 FIG. 35 is a bottom view thereof;
 FIG. 36 is a perspective view of package for oral care products, showing our design according to the sixth embodiment;
 FIG. 37 is a front view thereof;
 FIG. 38 is a back view thereof;
 FIG. 39 is a left view thereof;
 FIG. 40 is a right view thereof;
 FIG. 41 is a top view thereof; and,
 FIG. 42 is a bottom view thereof.
 The broken lines shown in the drawings depict portions of the package for oral care products that form no part of the claimed design.

1 Claim, 24 Drawing Sheets

(58) **Field of Classification Search**

CPC B65D 5/4204; B65D 5/18
 See application file for complete search history.

(56) **References Cited**

U.S. PATENT DOCUMENTS

2,700,456 A * 1/1955 Gillam B65D 5/5038
 206/777
 D244,511 S * 5/1977 Frisbey D9/432
 D278,125 S * 3/1985 Benham D9/418
 5,813,523 A 9/1998 Gnadt
 5,823,393 A * 10/1998 Hafstrom B65D 5/72
 222/130
 D467,798 S * 12/2002 Cohon D9/418
 D469,692 S * 2/2003 Meeker D9/431
 D498,138 S * 11/2004 Bibi D9/415
 D535,193 S * 1/2007 Rutledge D9/721
 D536,612 S * 2/2007 Geurts D9/432
 D556,566 S * 12/2007 Steele, IV D9/418
 D579,724 S * 11/2008 McMurphy D7/545
 D602,353 S * 10/2009 Anderson D9/432
 D616,299 S * 5/2010 Mayo D9/418
 D617,185 S * 6/2010 Wager D9/431
 D617,636 S * 6/2010 Vanhoutte D9/420
 D620,352 S * 7/2010 Liipola D9/432
 D626,831 S * 11/2010 Nicholas D9/432
 D627,634 S * 11/2010 Chung D9/423
 D633,787 S * 3/2011 Vinseiro D9/431
 D649,067 S * 11/2011 Birdwell D9/418

D657,238 S * 4/2012 Neufeldt D9/431
 D679,950 S * 4/2013 Cooper D7/538
 8,607,987 B2 12/2013 Oja
 D702,546 S * 4/2014 McAdam D9/418
 D715,138 S * 10/2014 Akana D9/418
 D719,440 S * 12/2014 Matloff D9/418
 D727,732 S * 4/2015 Petty D9/415
 D738,202 S * 9/2015 Stone D9/418
 D762,113 S * 7/2016 Mayer D9/418
 D774,891 S * 12/2016 Mayer D9/418
 D774,893 S * 12/2016 Mayer D9/418
 D774,895 S * 12/2016 Mayer D9/418
 D774,896 S * 12/2016 Mayer D9/418
 D774,897 S * 12/2016 Mayer D9/418
 D774,898 S * 12/2016 Mayer D9/418
 D776,522 S * 1/2017 Mayer D9/418
 D782,297 S * 3/2017 Vaske D9/418
 D783,395 S * 4/2017 Wang D9/418
 D786,663 S * 5/2017 Mayer D9/418
 D787,313 S * 5/2017 Mayer D9/418
 D787,314 S * 5/2017 Sill D9/418
 D787,315 S * 5/2017 Sill D9/418
 D787,316 S * 5/2017 Sill D9/418
 D787,929 S * 5/2017 Sill D9/418
 D787,933 S * 5/2017 Sill D9/418
 D795,687 S * 8/2017 Pollock D9/418
 D795,696 S * 8/2017 Pitera D9/499
 D798,141 S * 9/2017 Miller D9/418
 D799,317 S * 10/2017 Sill D9/418
 D799,955 S * 10/2017 Sill D9/418
 D800,546 S * 10/2017 Sill D9/418
 D800,547 S * 10/2017 Sill D9/418
 D800,548 S * 10/2017 Sill D9/418
 D816,479 S * 5/2018 Sill D9/418
 D816,480 S * 5/2018 Sill D9/418
 D816,481 S * 5/2018 Sill D9/418
 9,975,664 B2 * 5/2018 Fath B65B 5/024
 D833,868 S * 11/2018 Marotti D9/434
 D846,379 S * 4/2019 Sill D9/418
 D846,981 S * 4/2019 Sill D9/418
 D856,797 S * 8/2019 Sill D9/418
 D866,313 S * 11/2019 Marotti D9/418
 D866,314 S * 11/2019 Marotti D9/418
 D867,125 S * 11/2019 Sill D9/418
 D879,603 S * 3/2020 Sill D9/418
 2005/0025864 A1 * 2/2005 Gordon A23L 35/00
 426/231
 2005/0051461 A1 * 3/2005 Bryant B65D 5/2047
 206/769
 2009/0236351 A1 * 9/2009 Chu B65D 5/4208
 220/751
 2010/0264058 A1 * 10/2010 Krause B65D 5/4204
 206/745

* cited by examiner

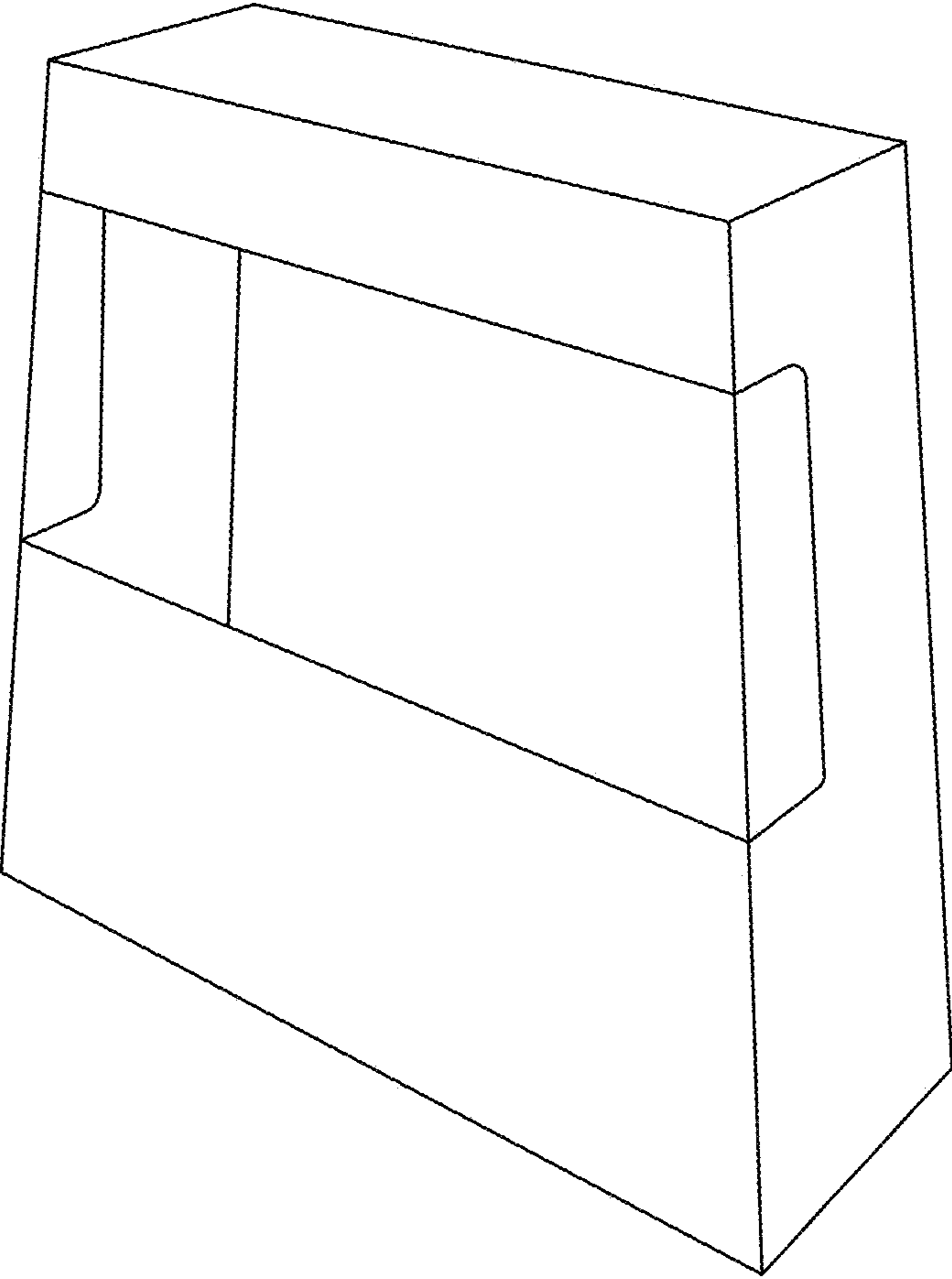


FIG.1

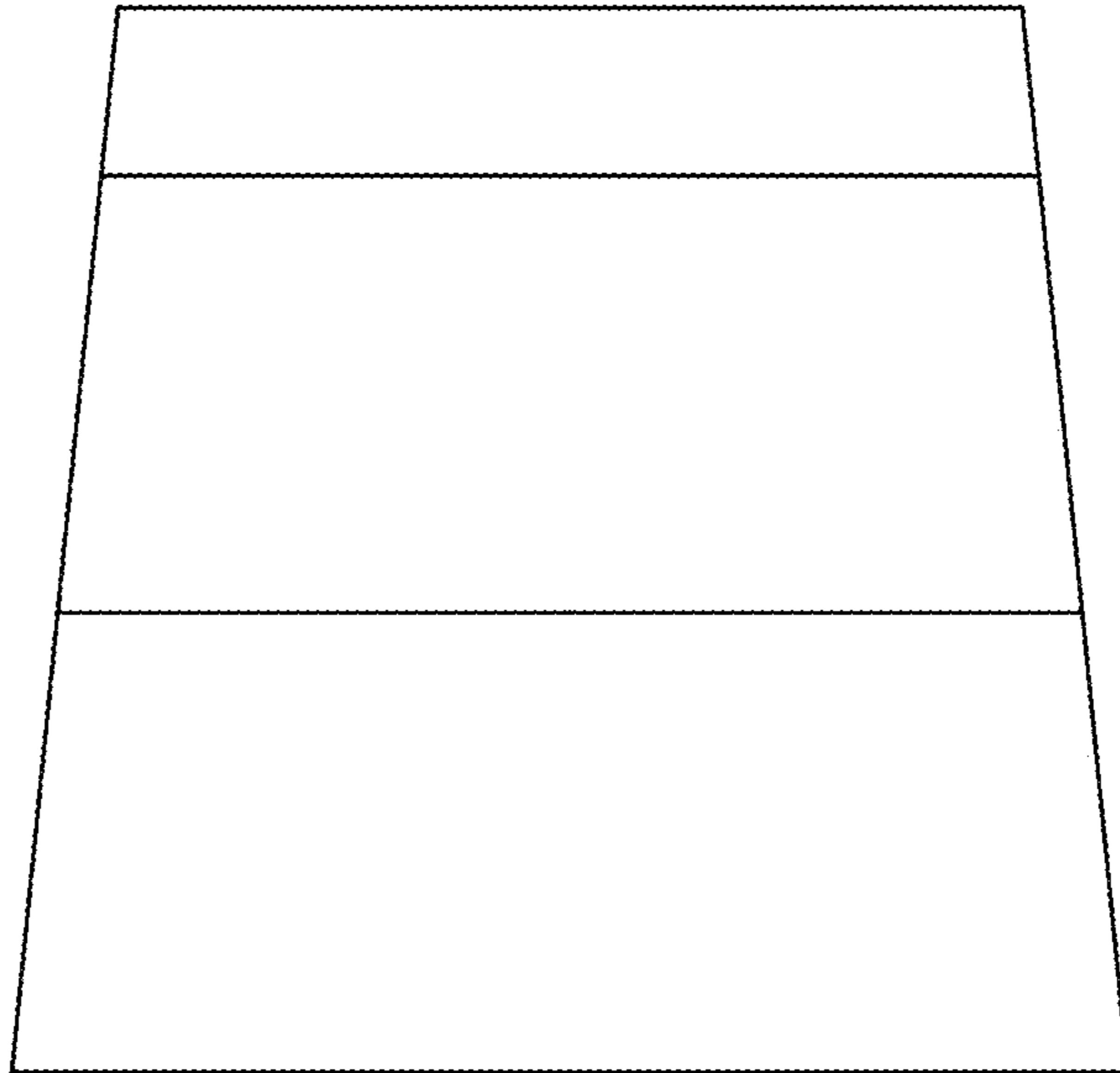


FIG. 2

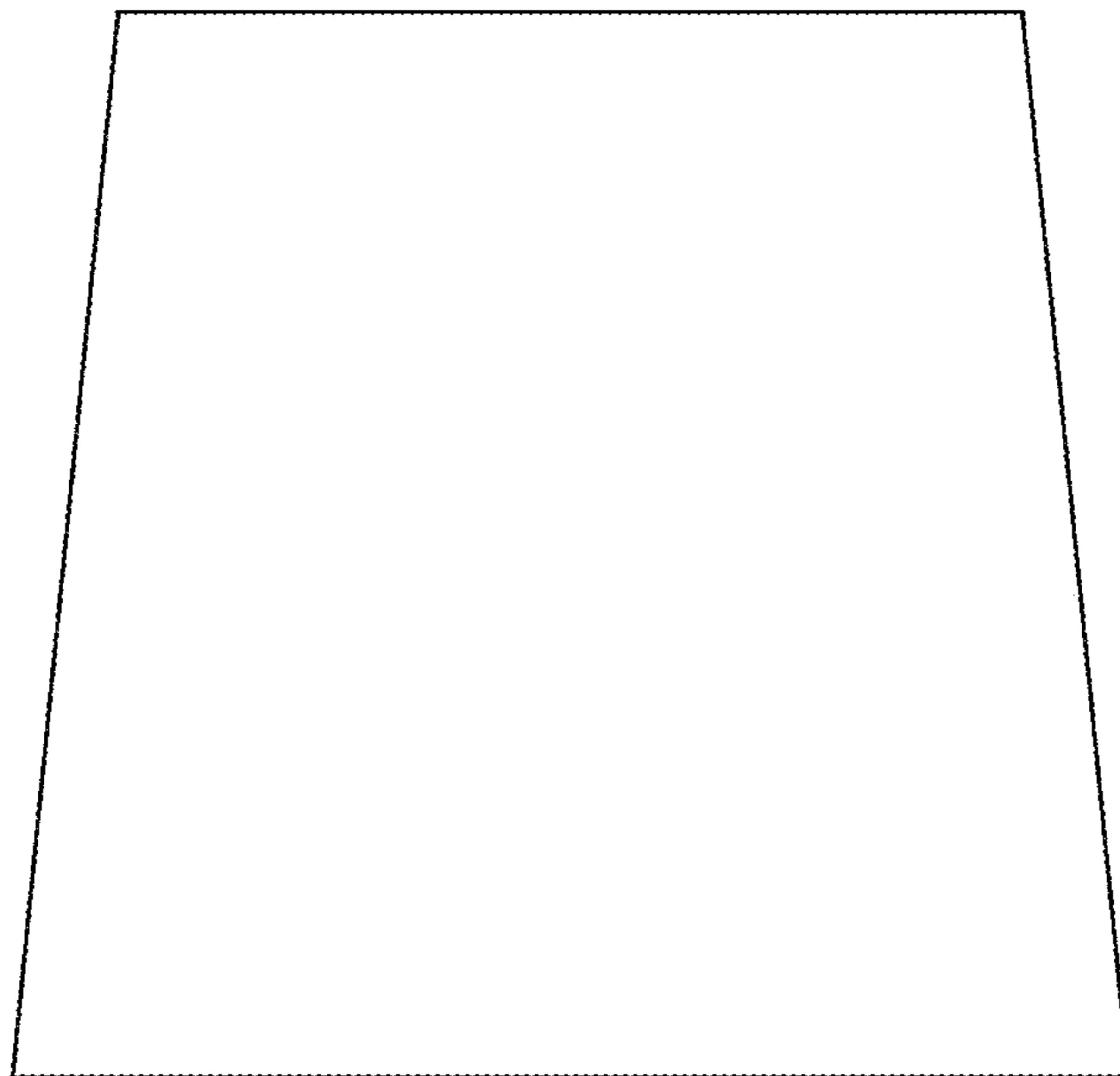


FIG. 3

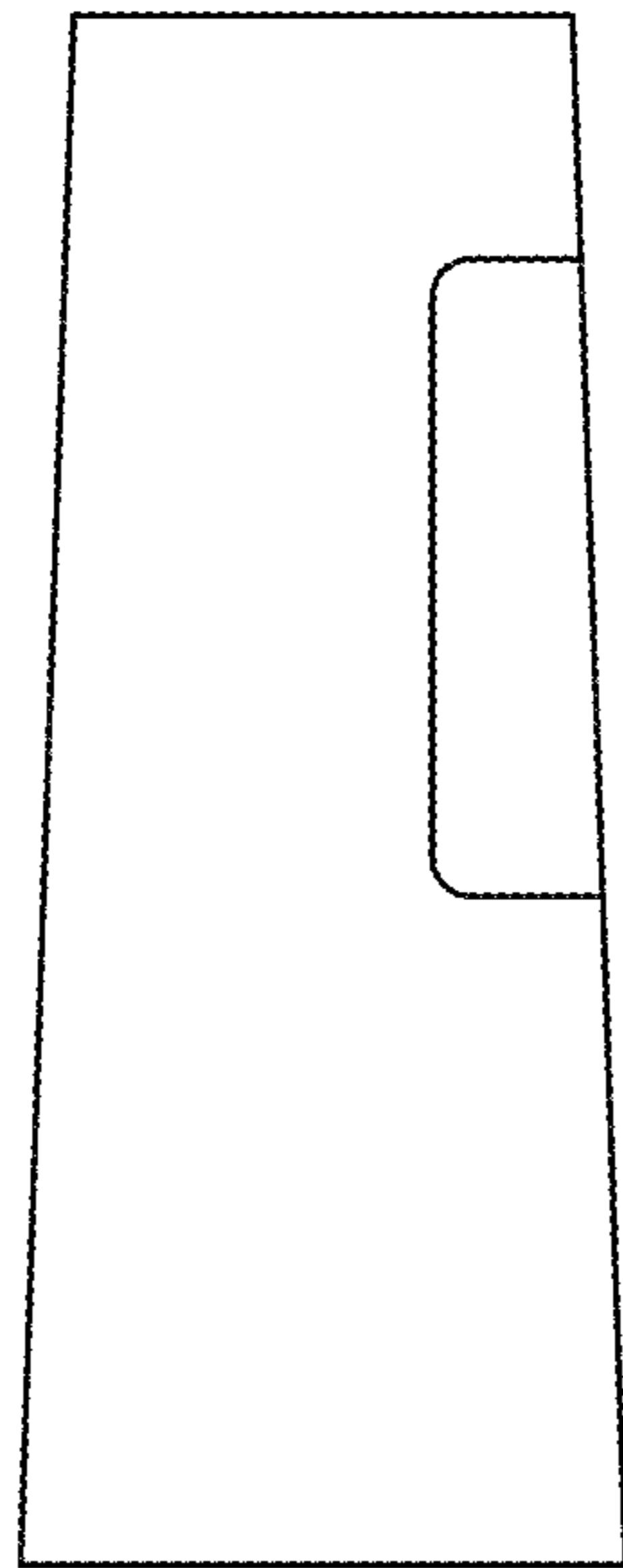


FIG. 4

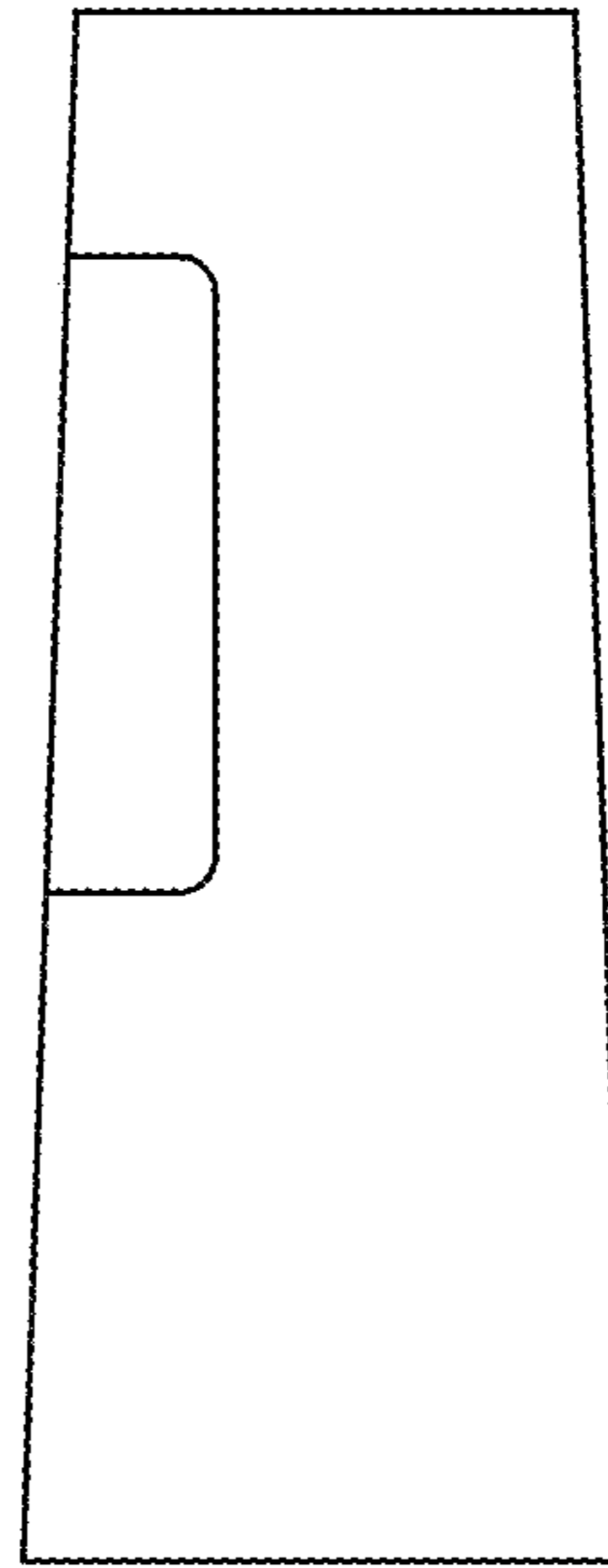


FIG. 5



FIG. 6



FIG. 7

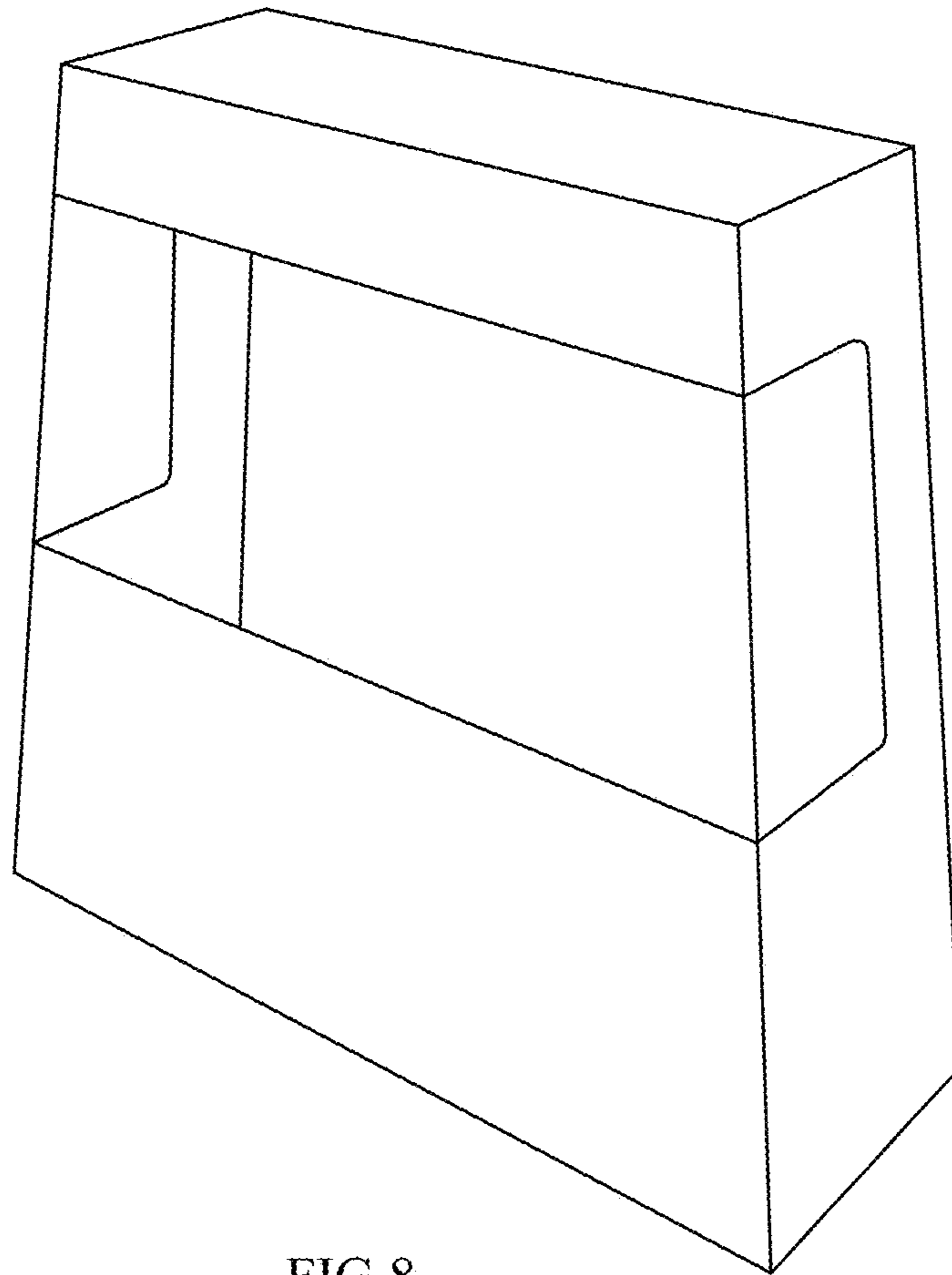


FIG.8

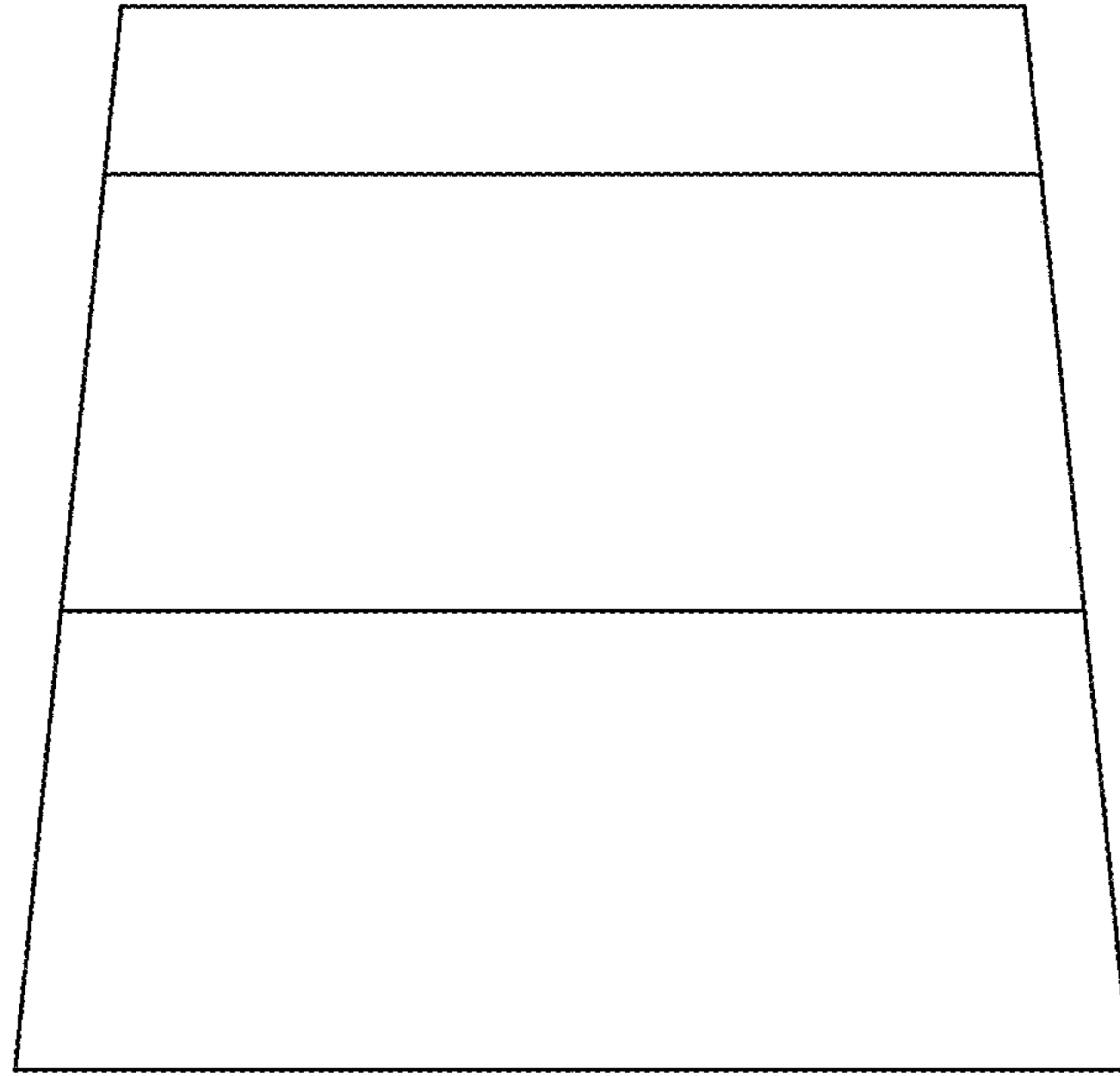


FIG.9

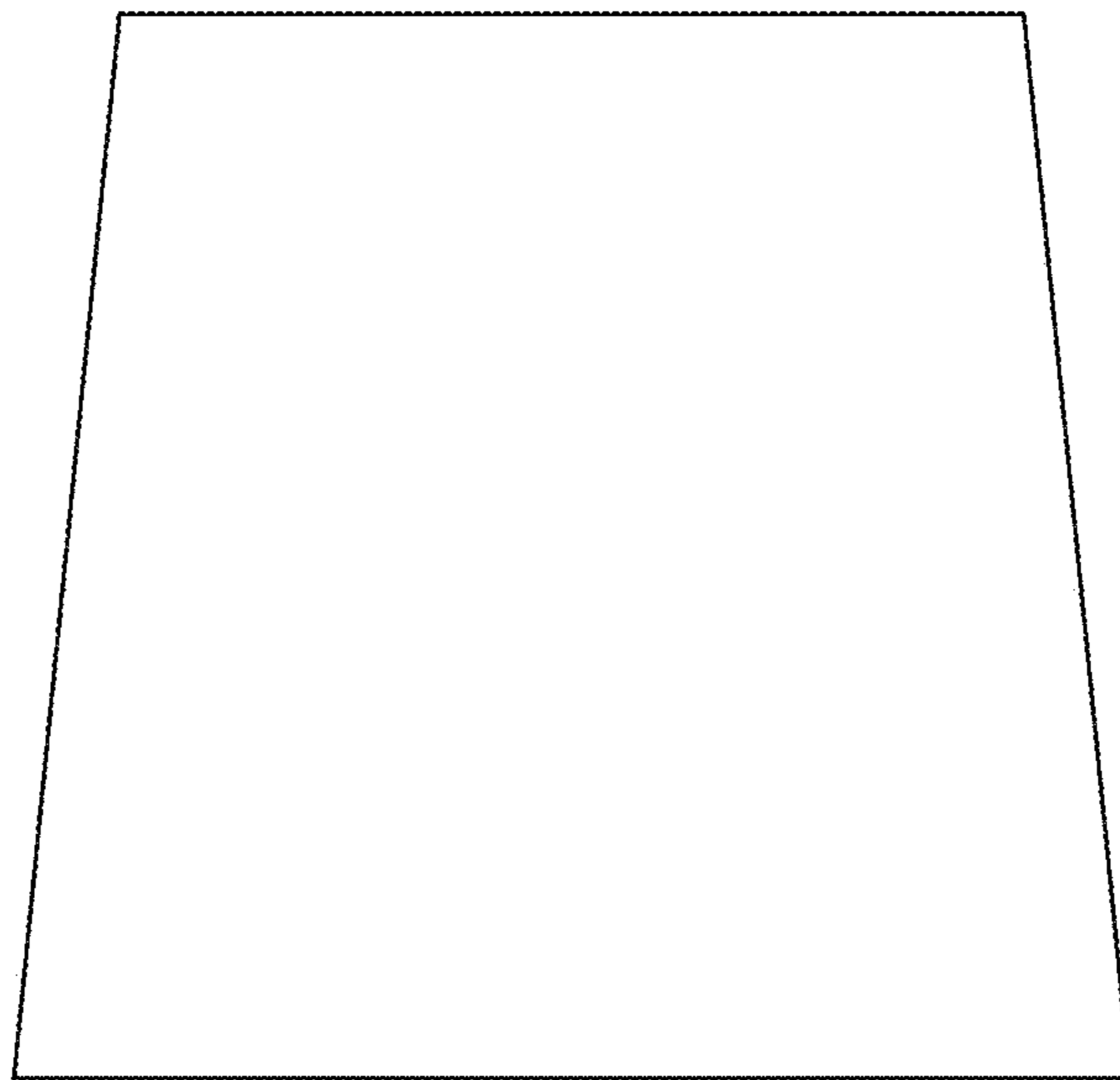


FIG.10

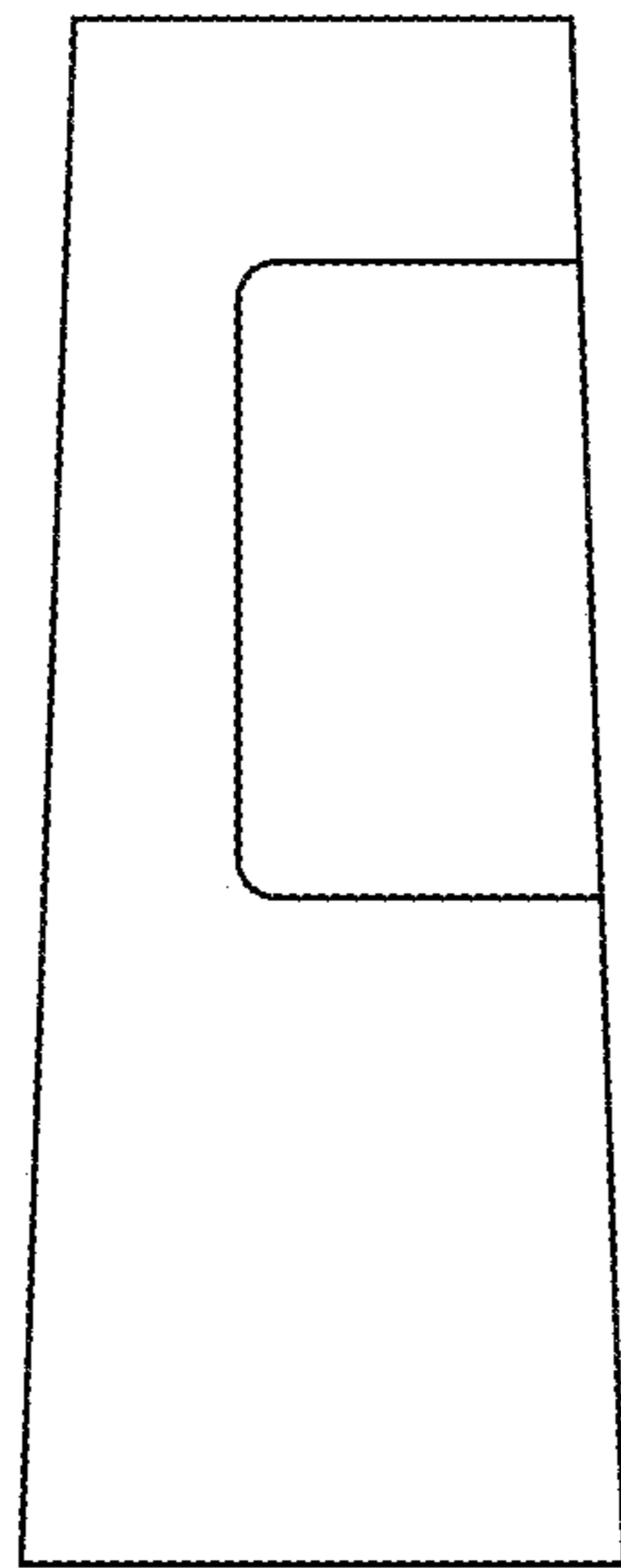


FIG. 11

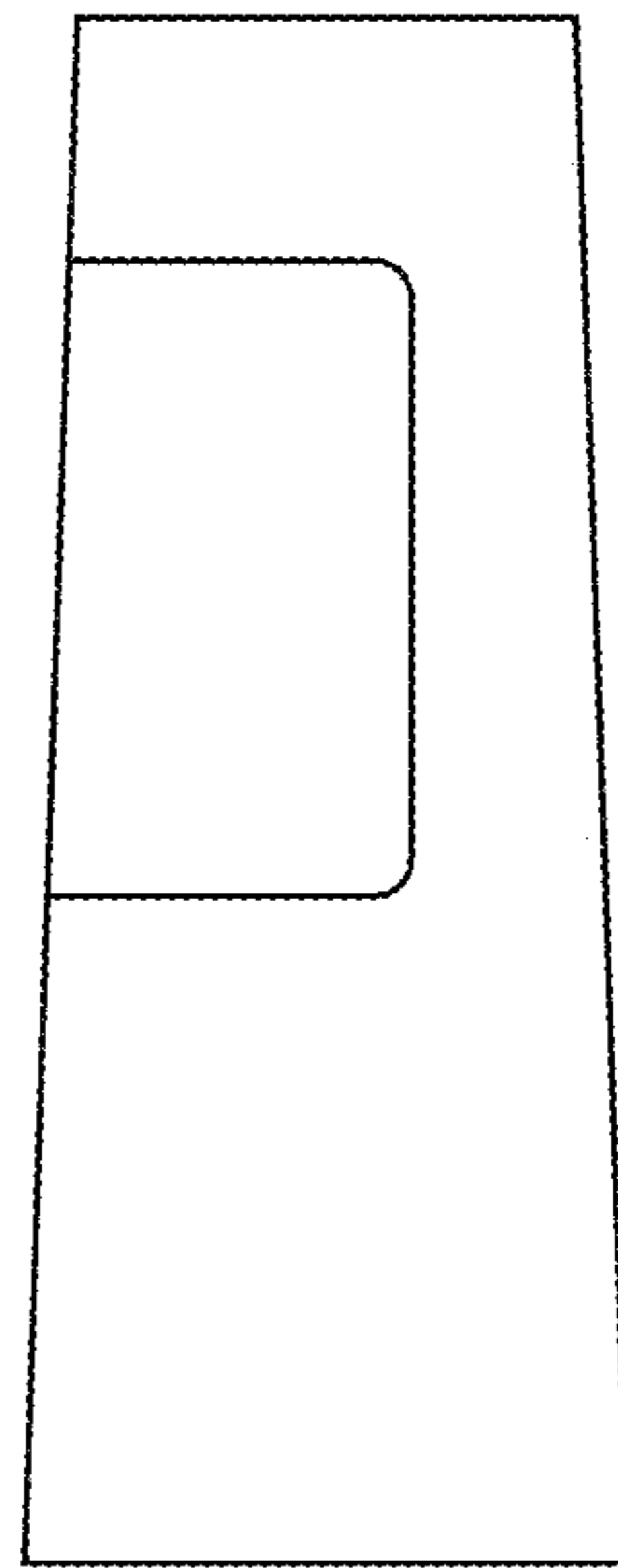


FIG. 12



FIG. 13



FIG. 14

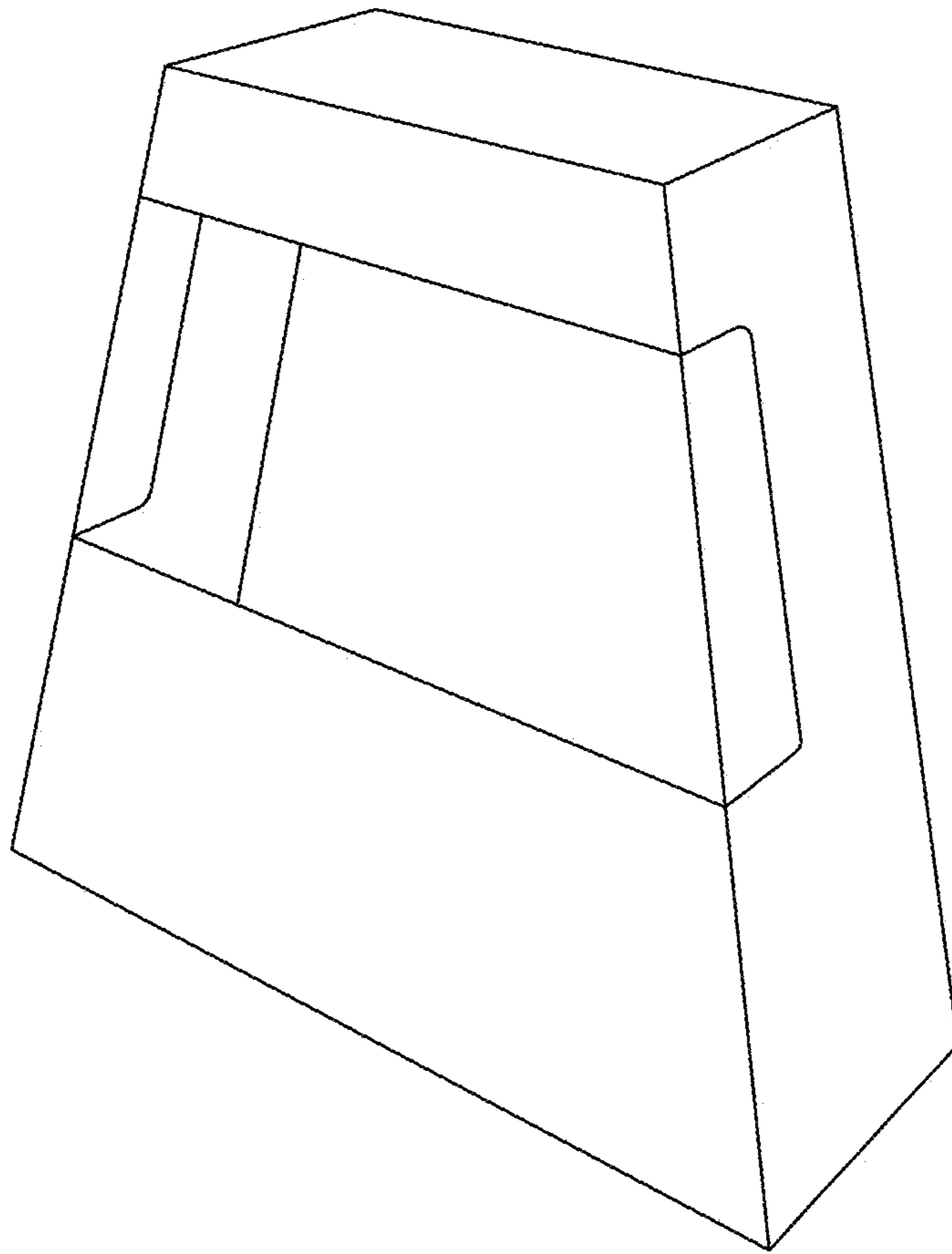


FIG.15

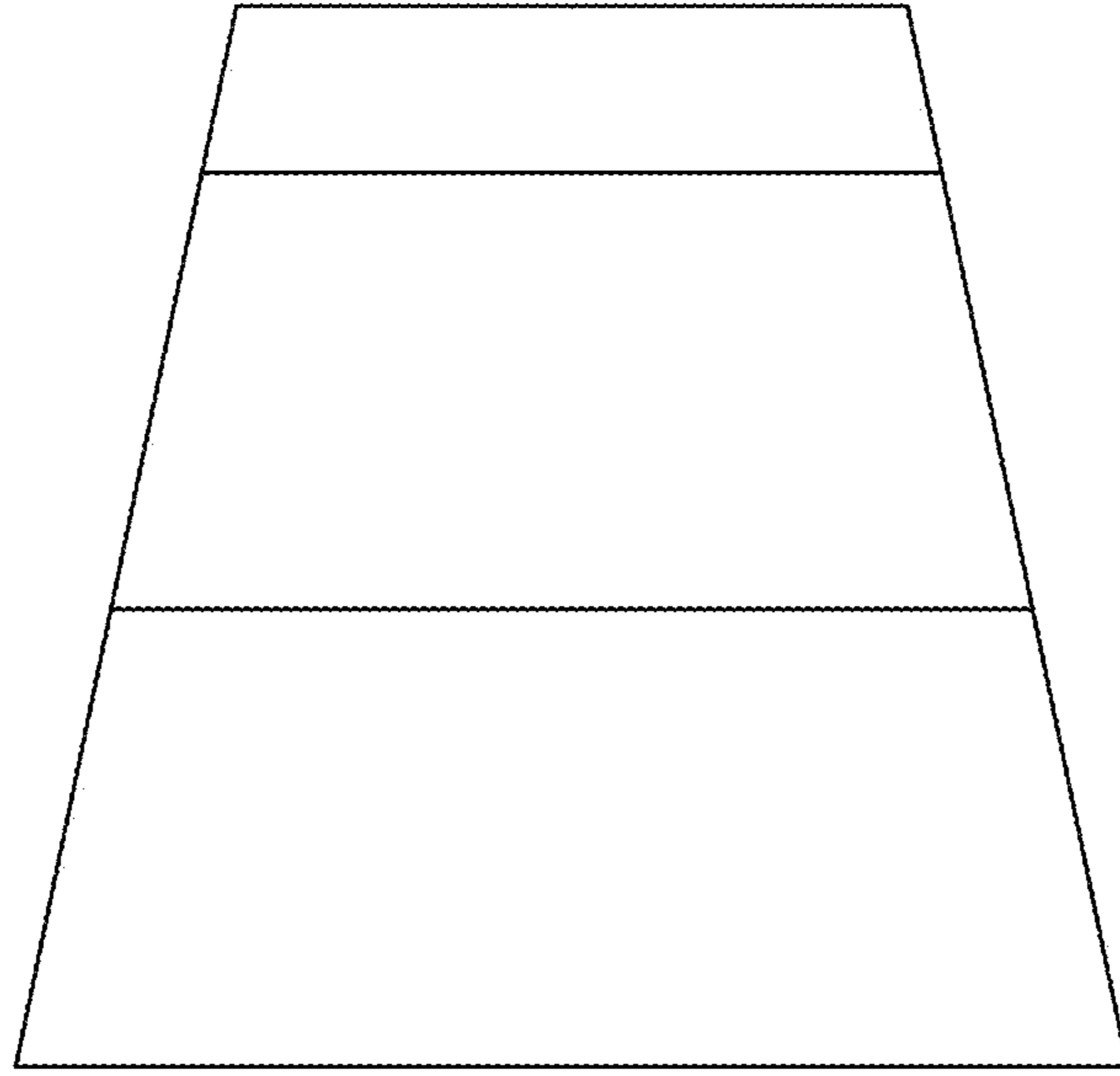


FIG. 16

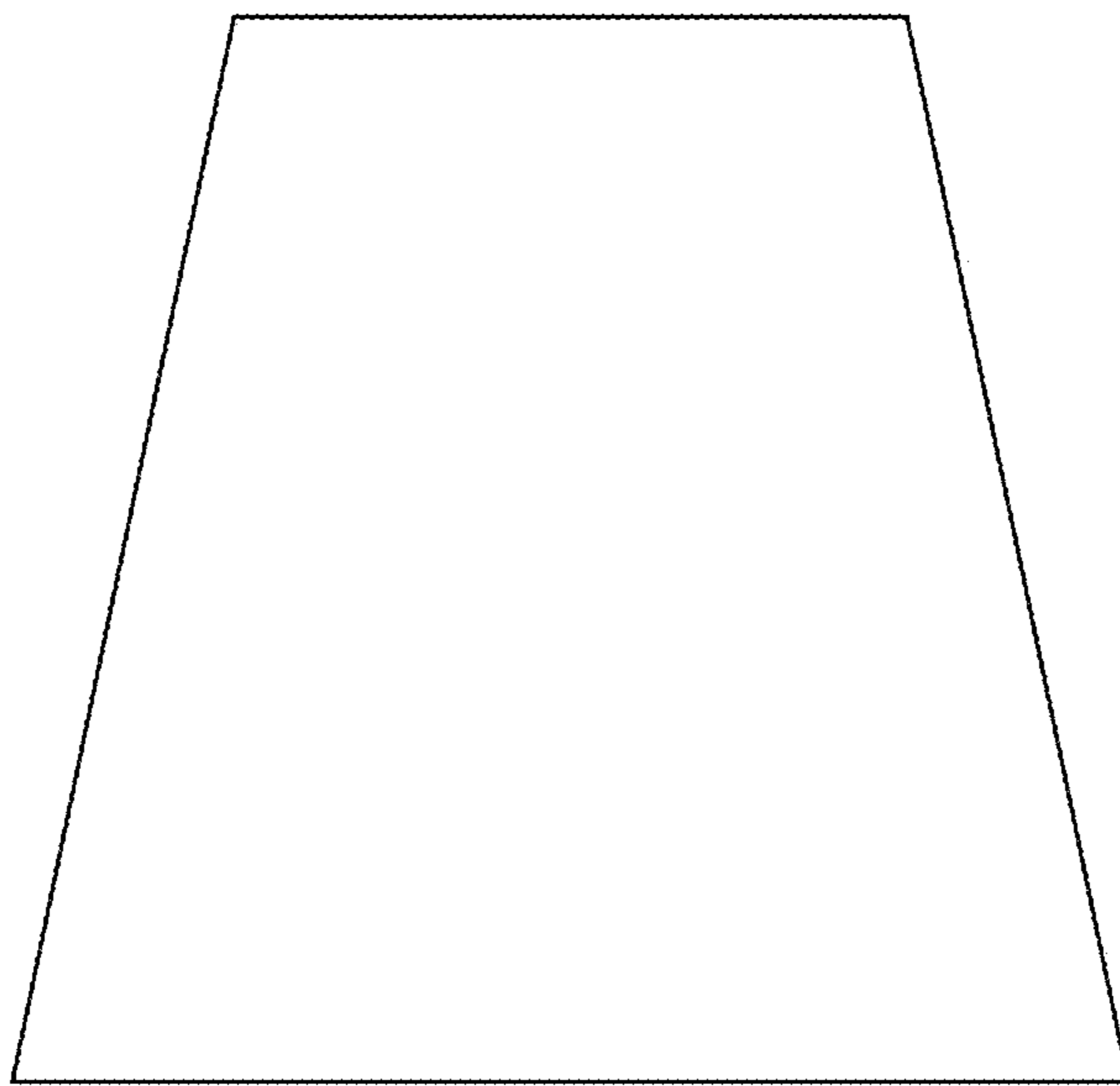


FIG. 17

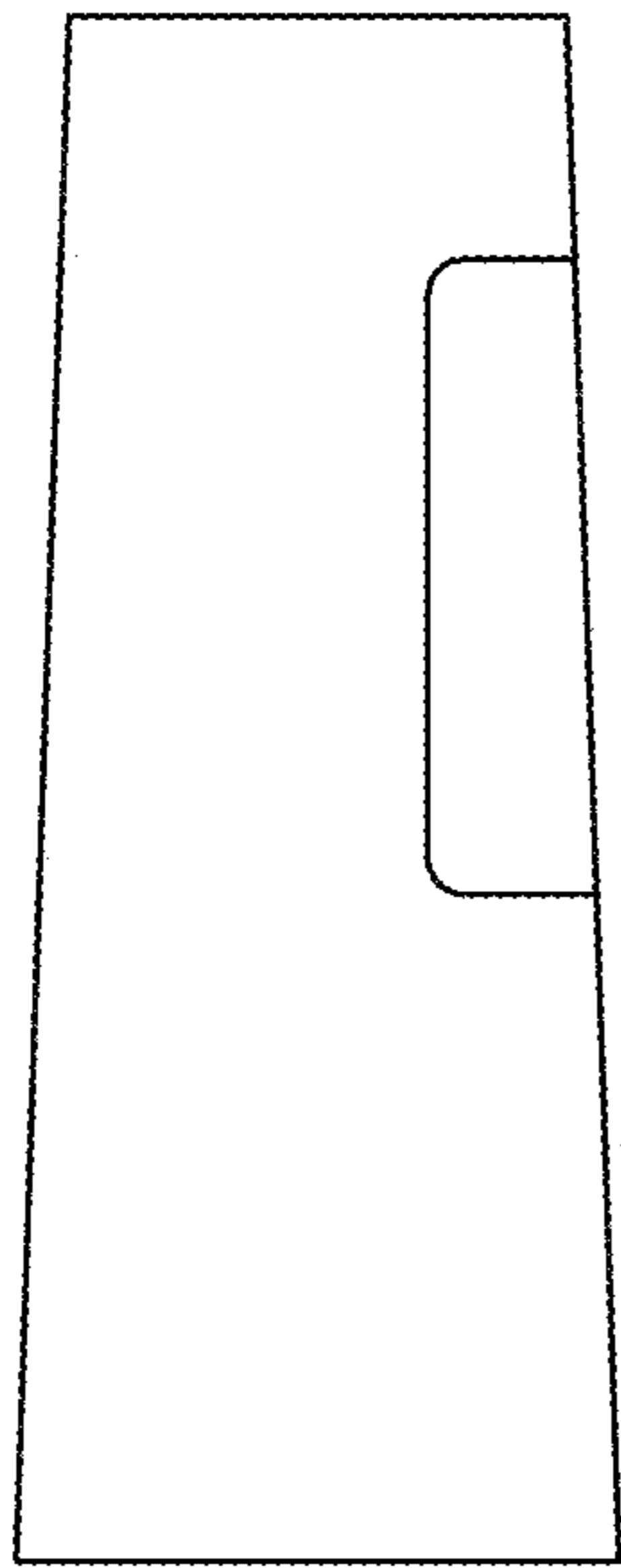


FIG.18

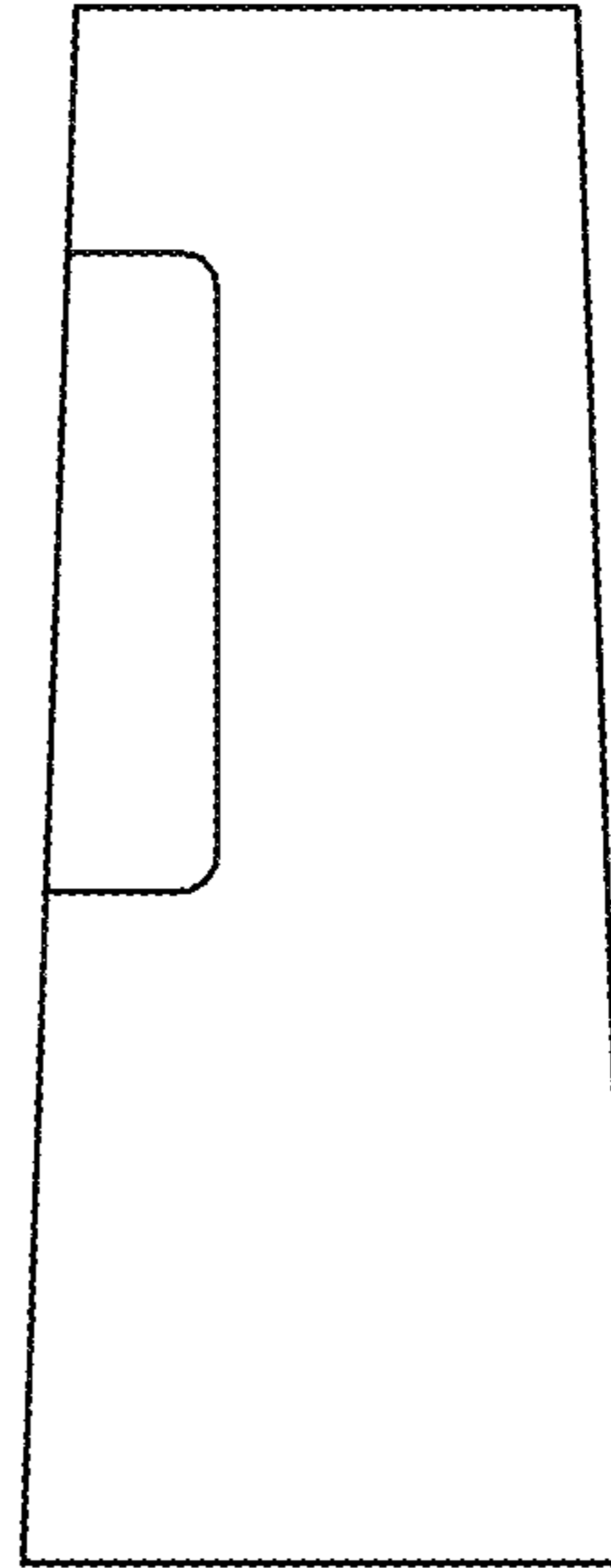


FIG.19

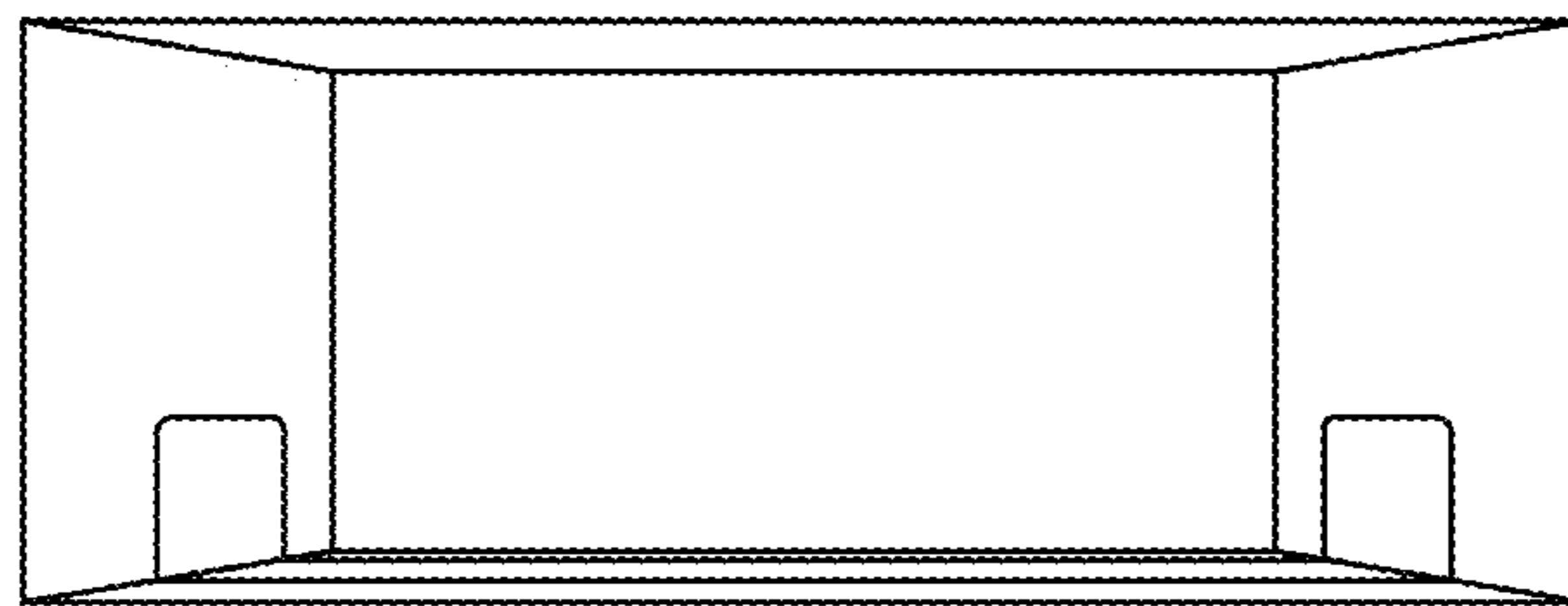


FIG.20



FIG.21

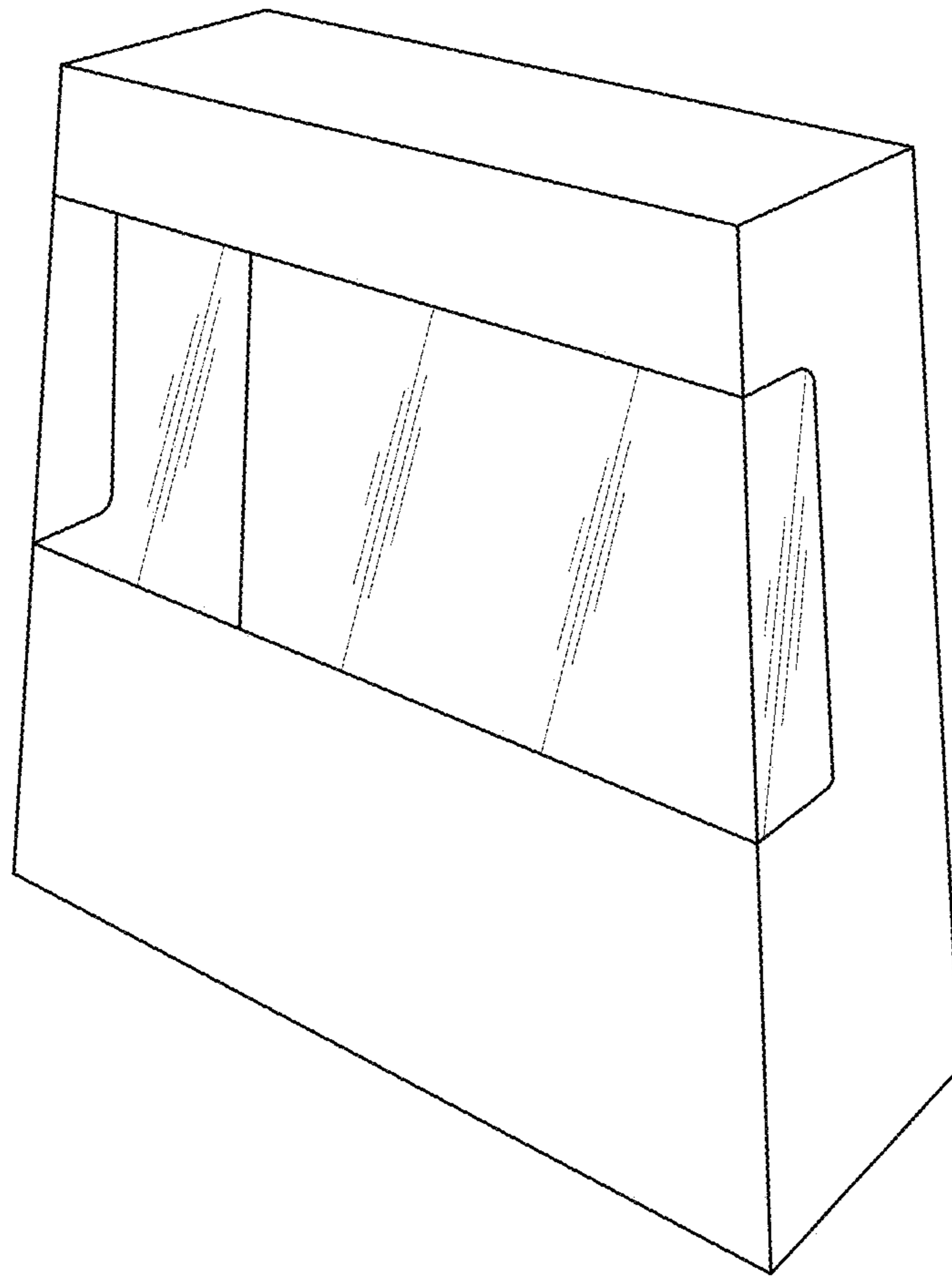


FIG.22

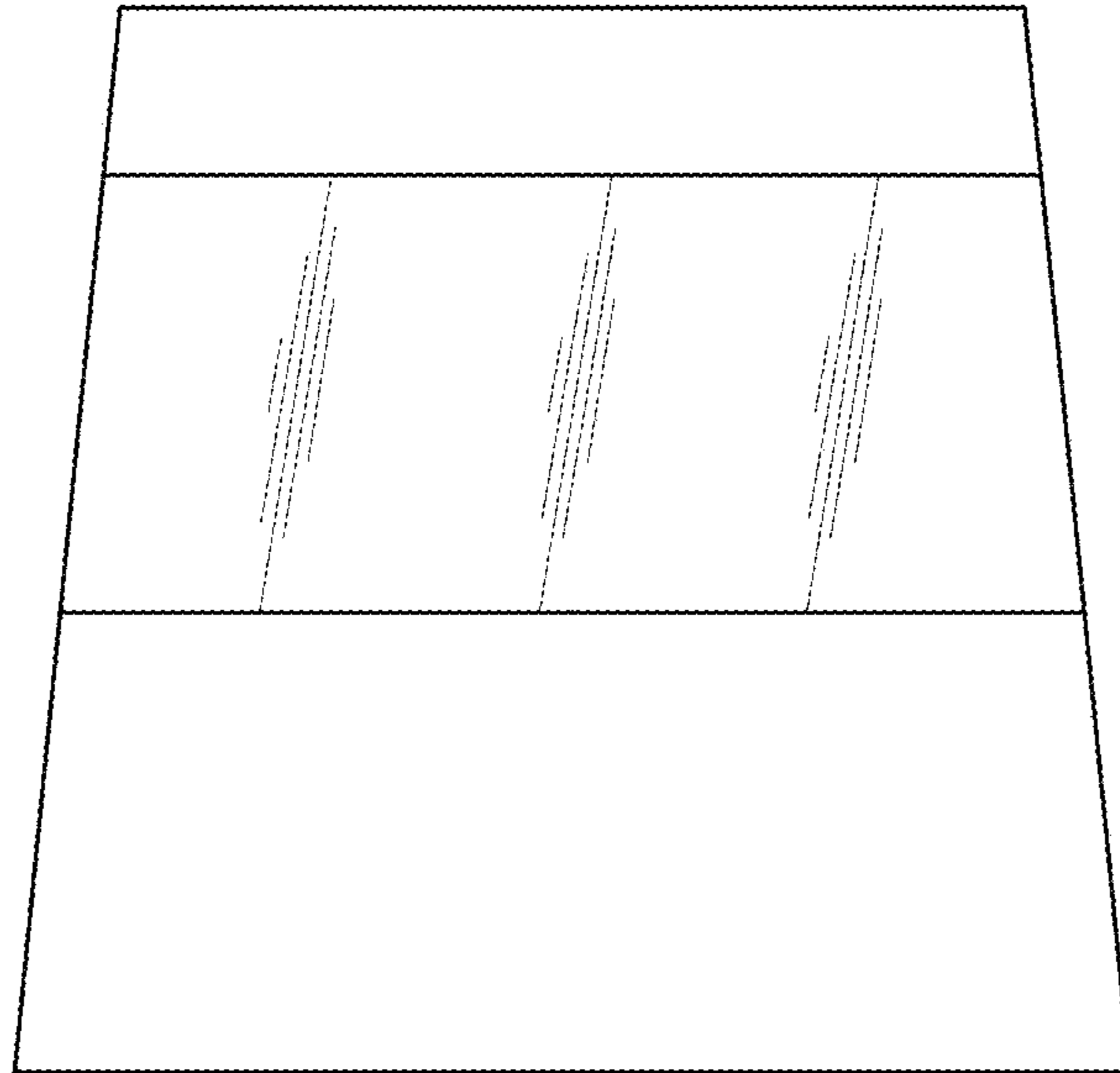


FIG.23

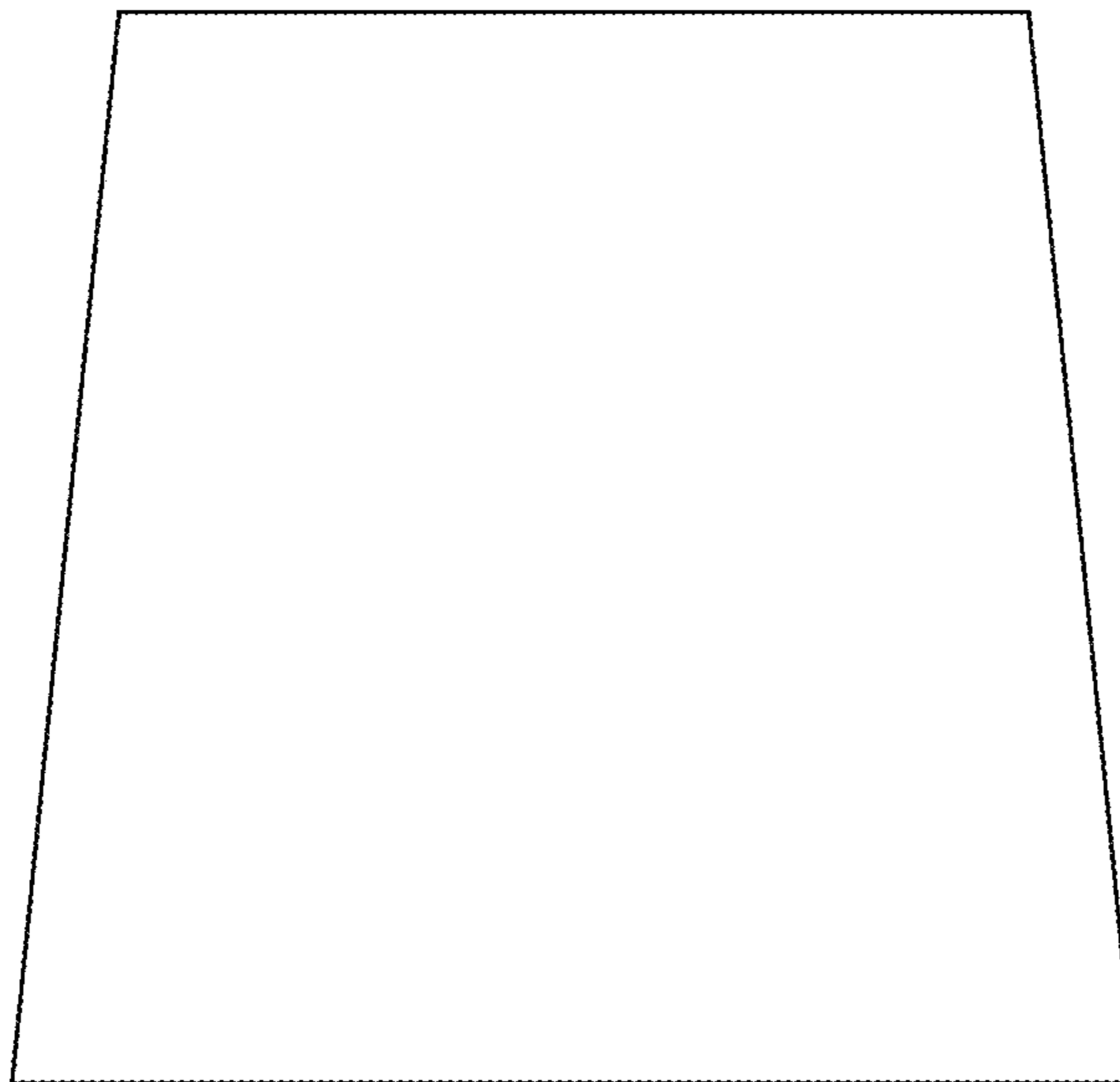


FIG.24

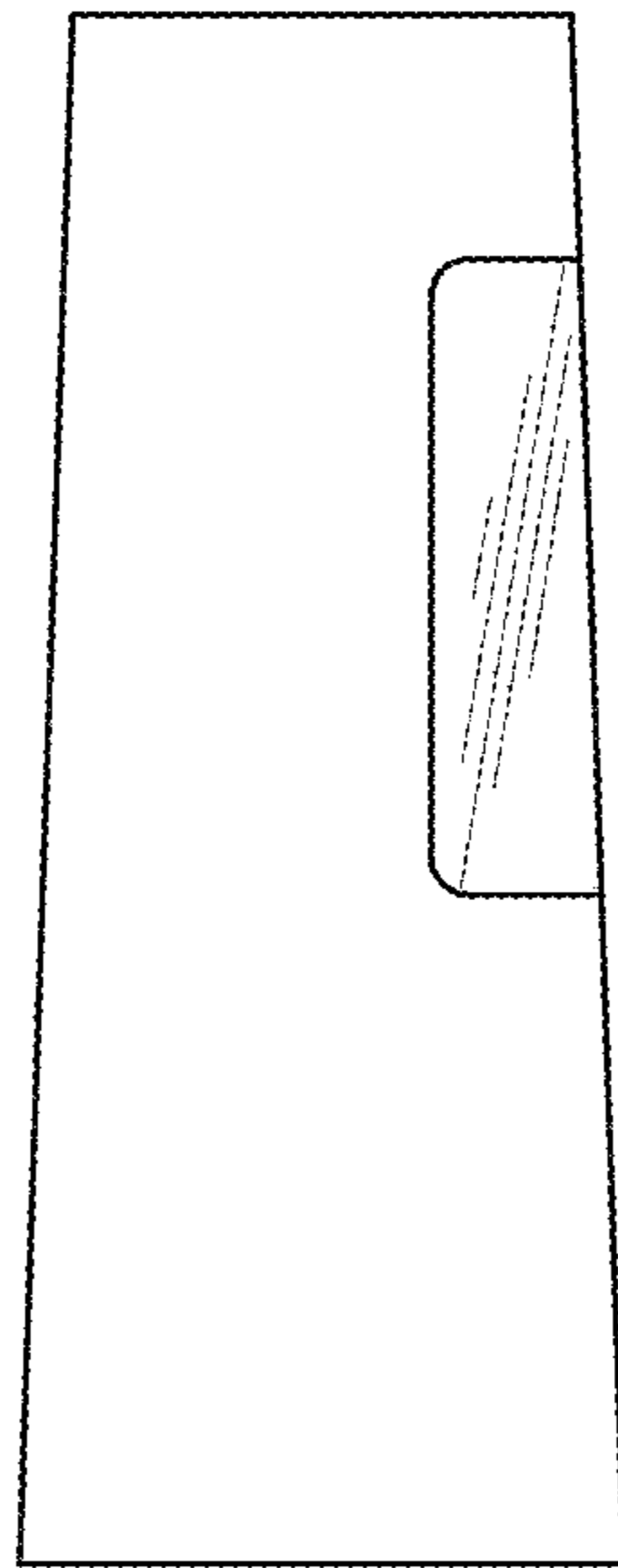


FIG.25

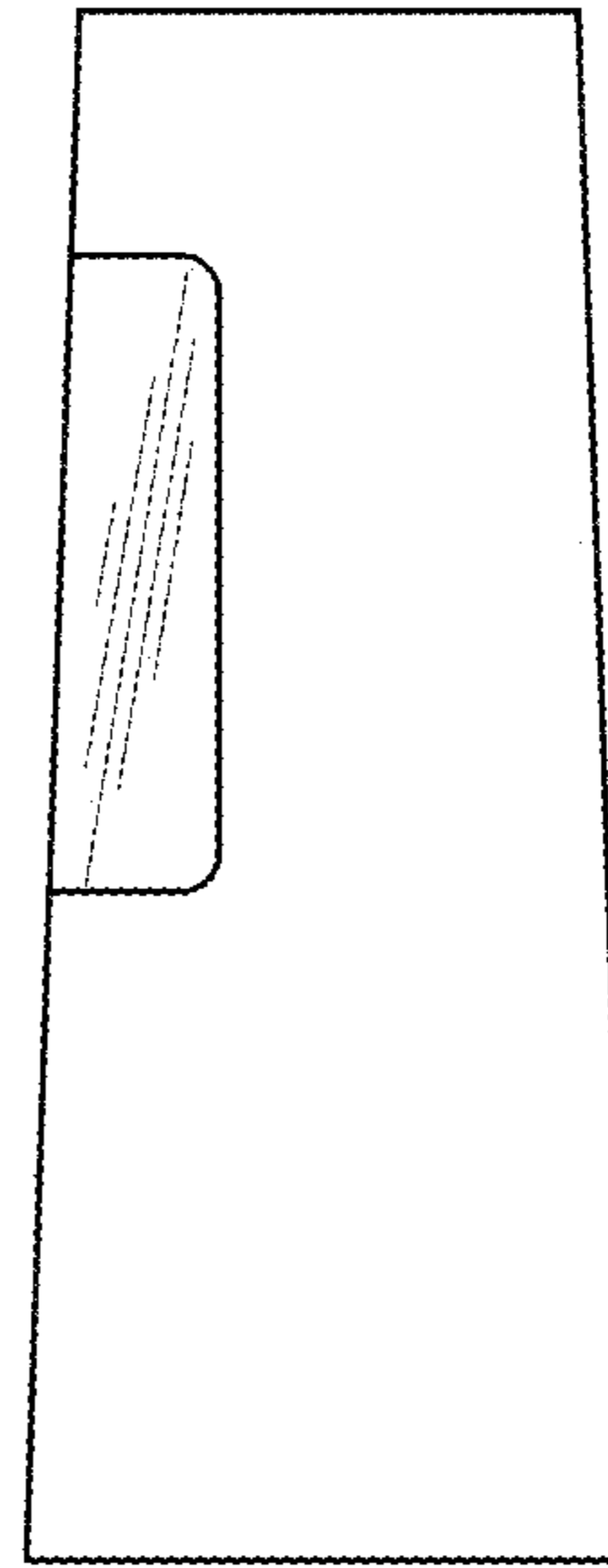


FIG.26



FIG.27



FIG.28

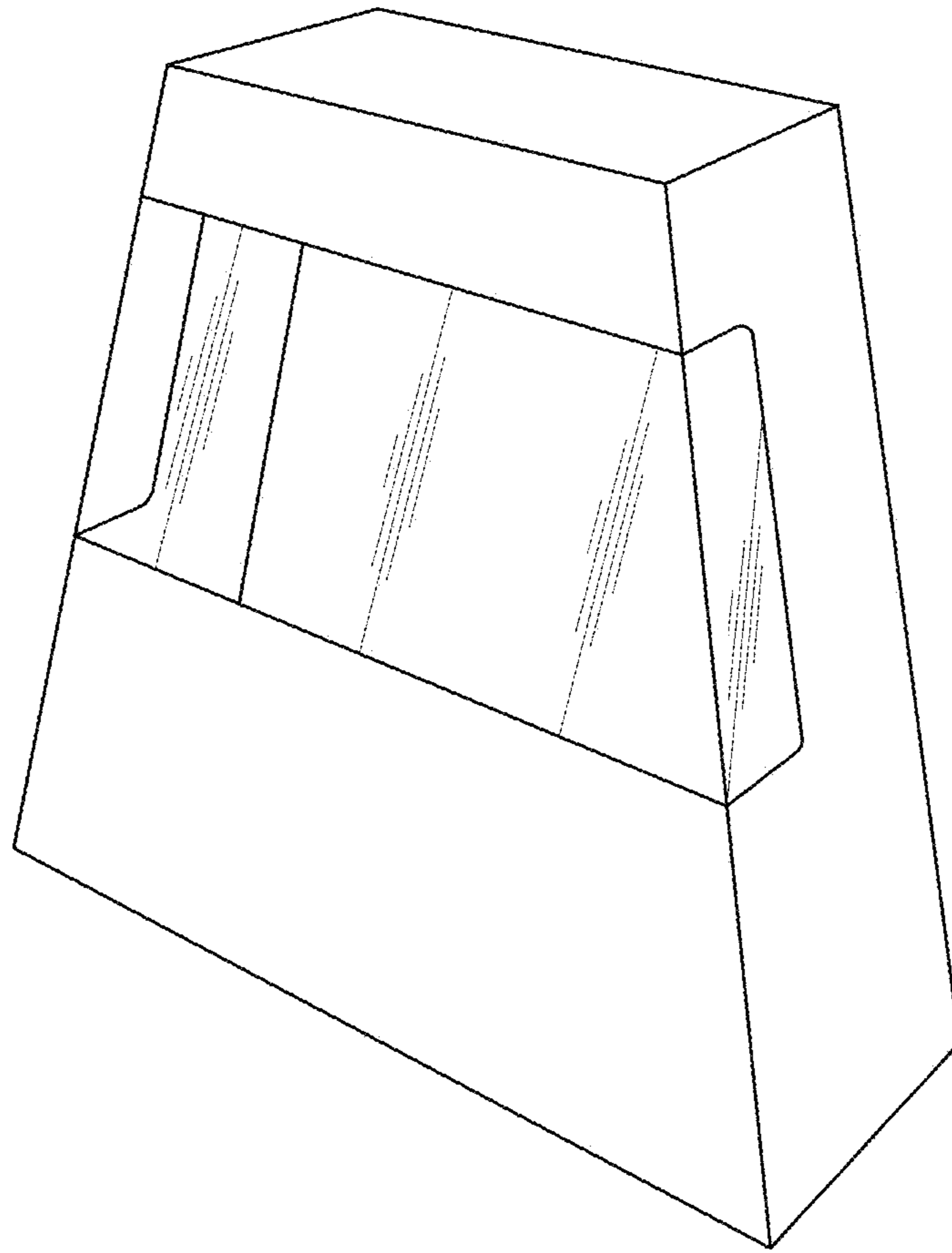


FIG.29

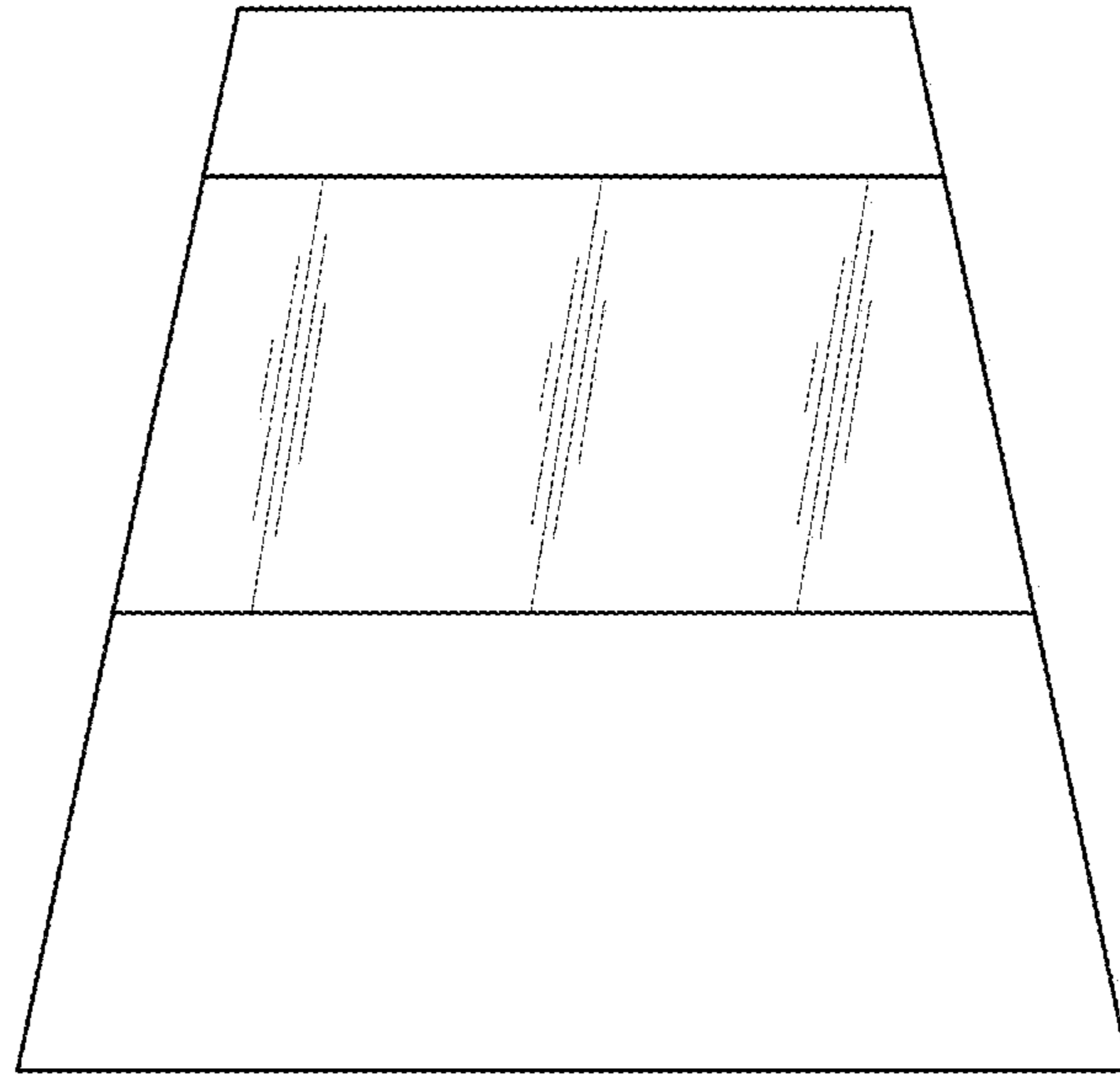


FIG.30

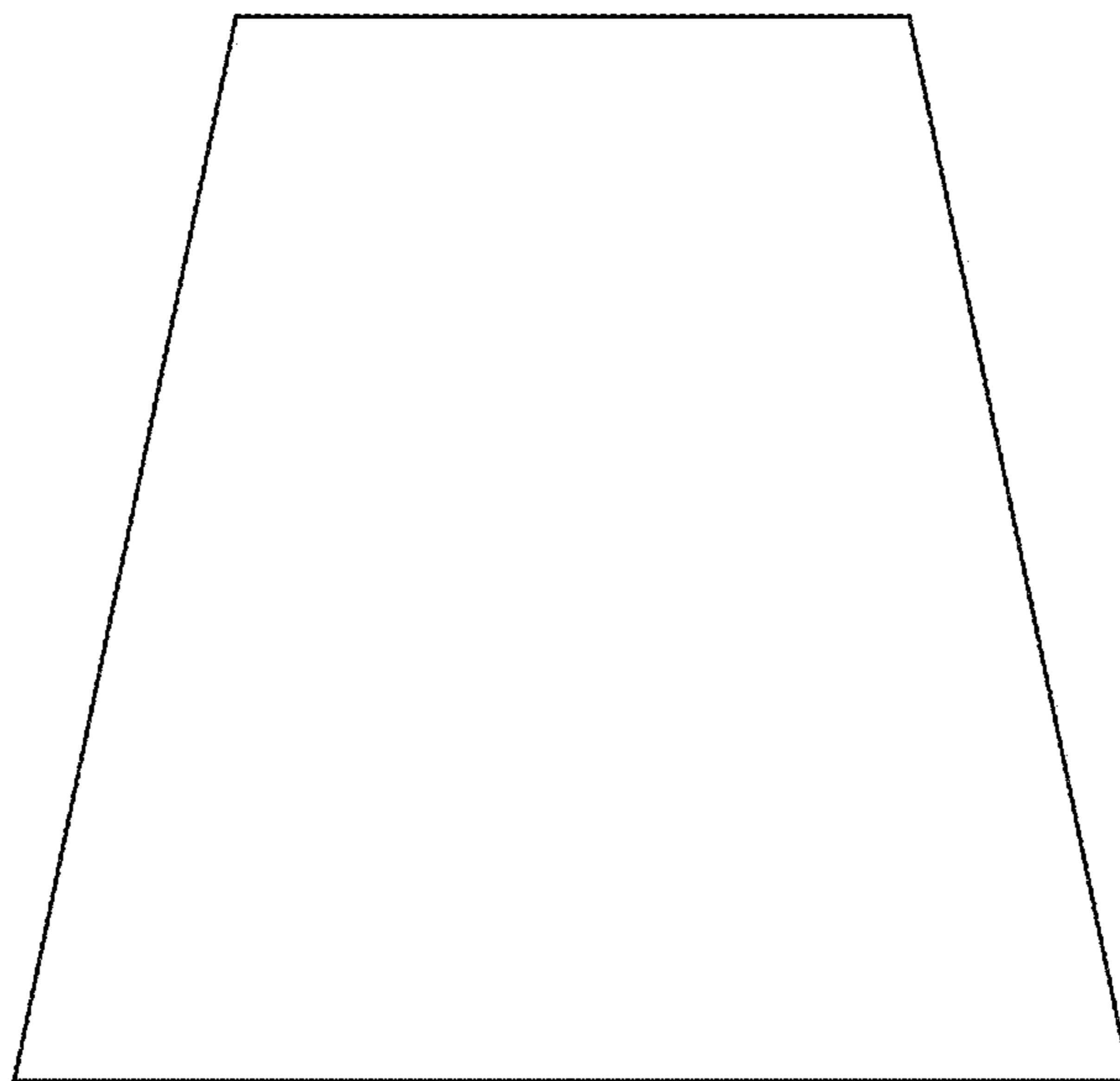


FIG.31

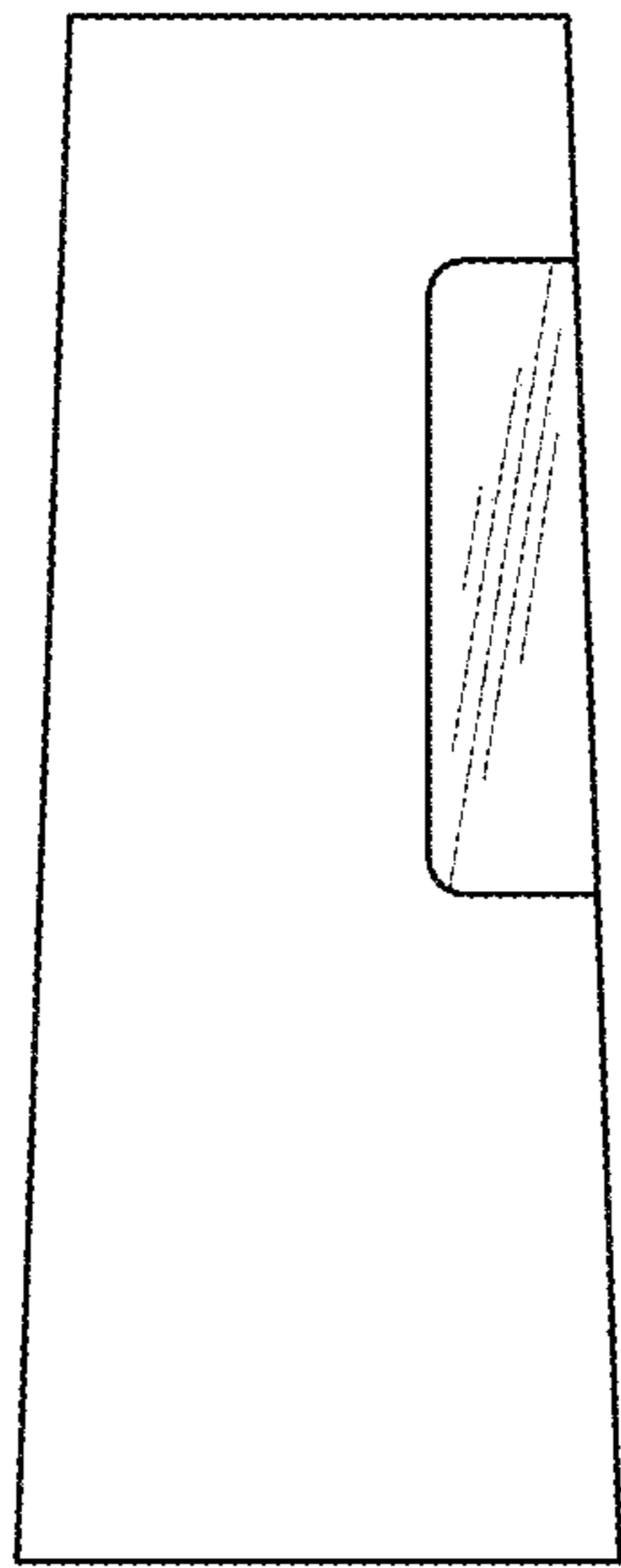


FIG.32

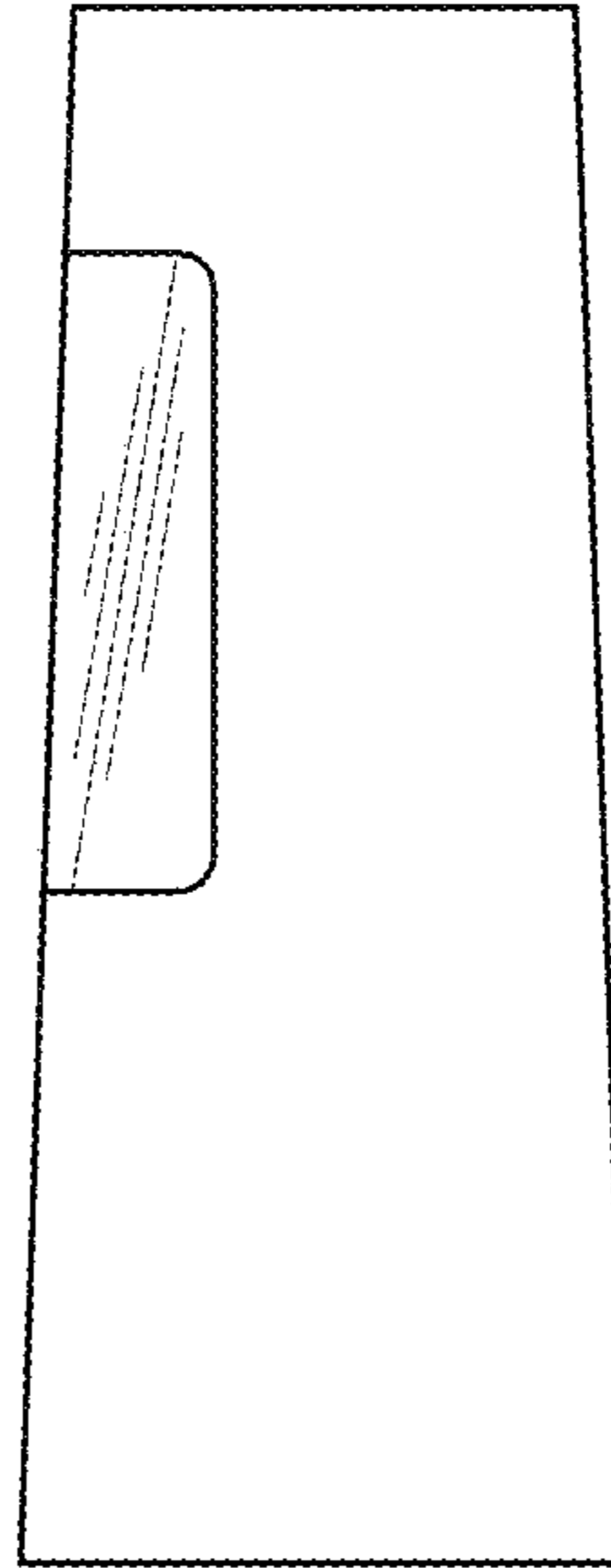


FIG.33



FIG.34



FIG.35

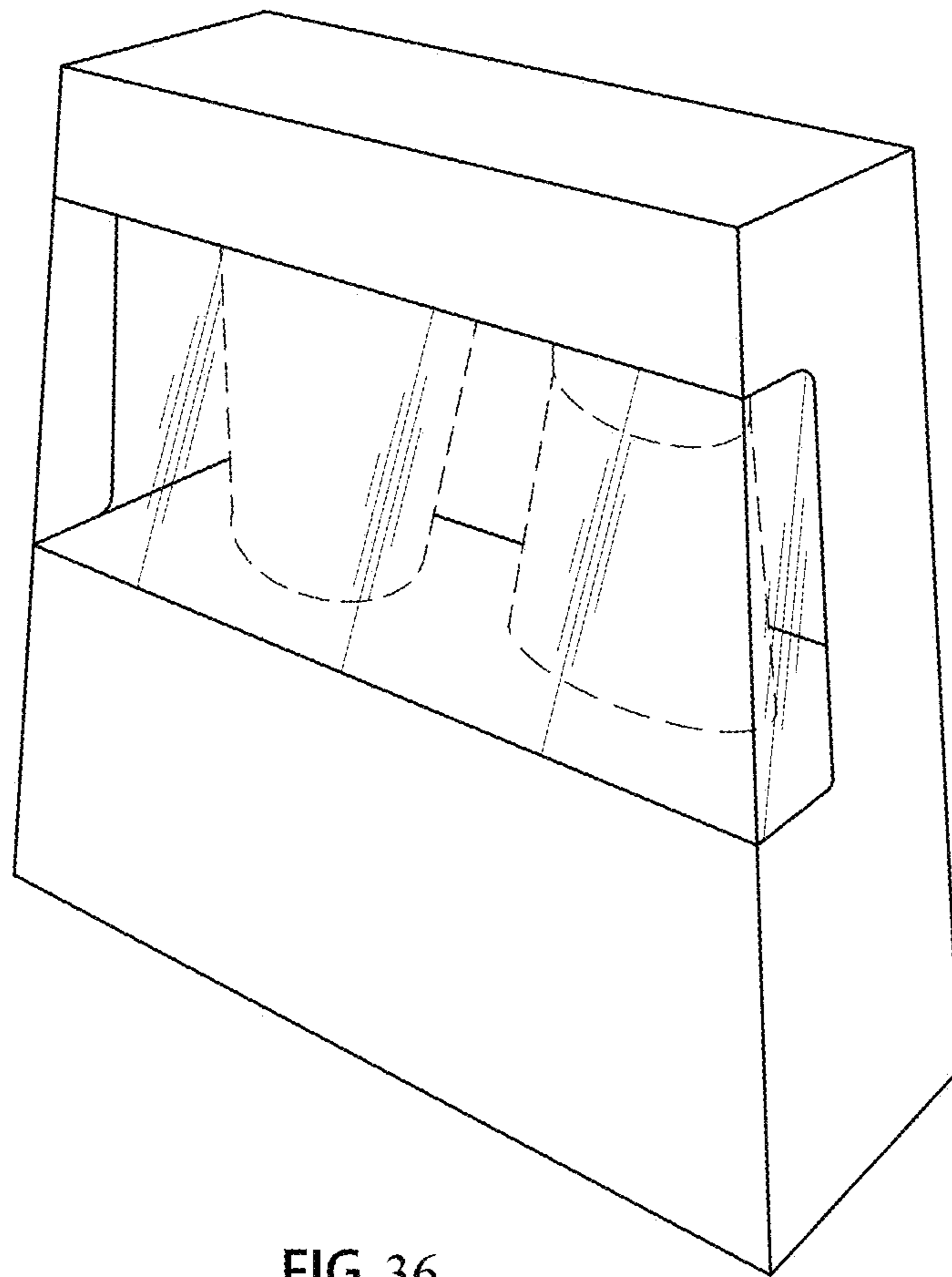


FIG. 36

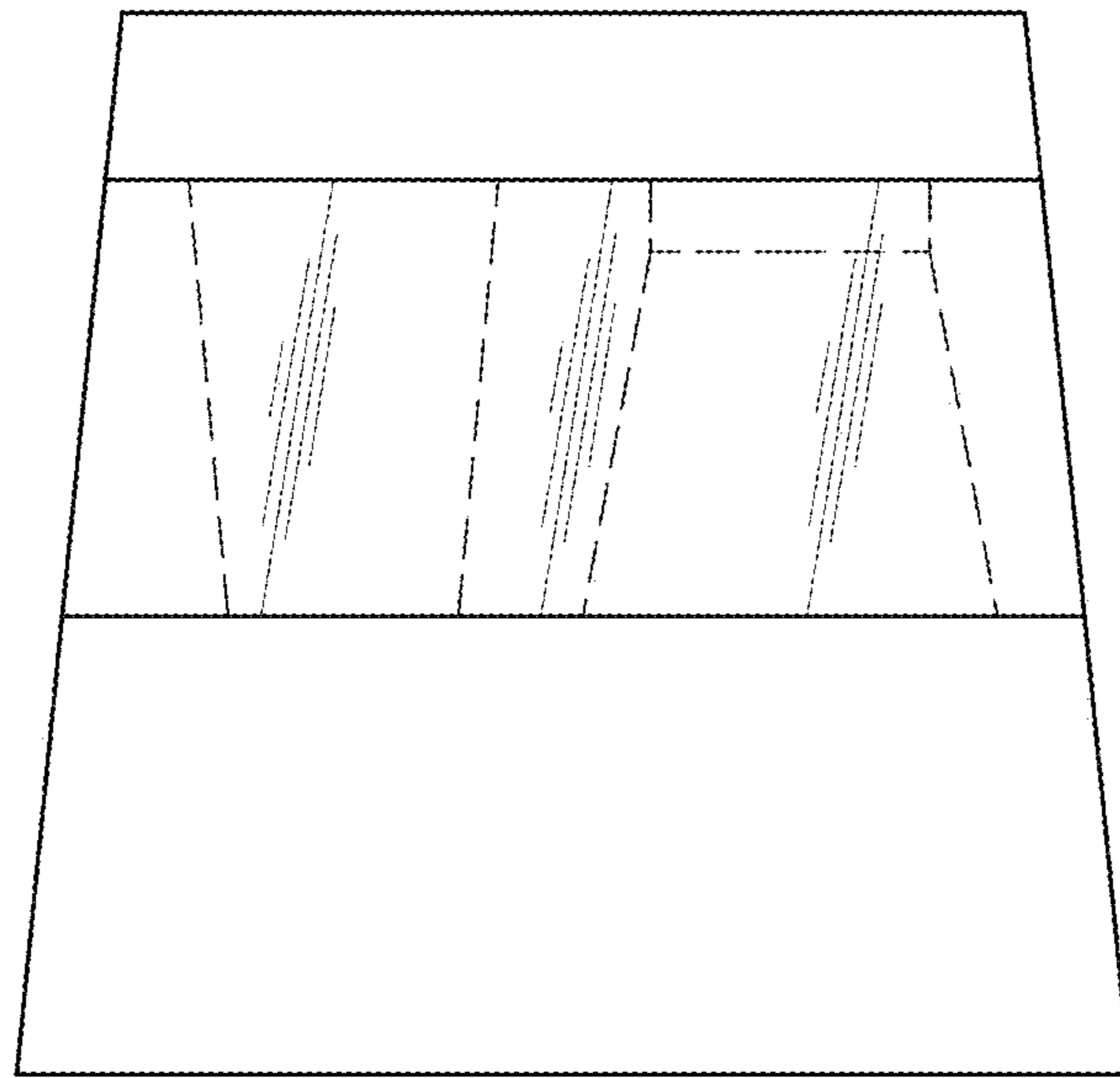


FIG. 37

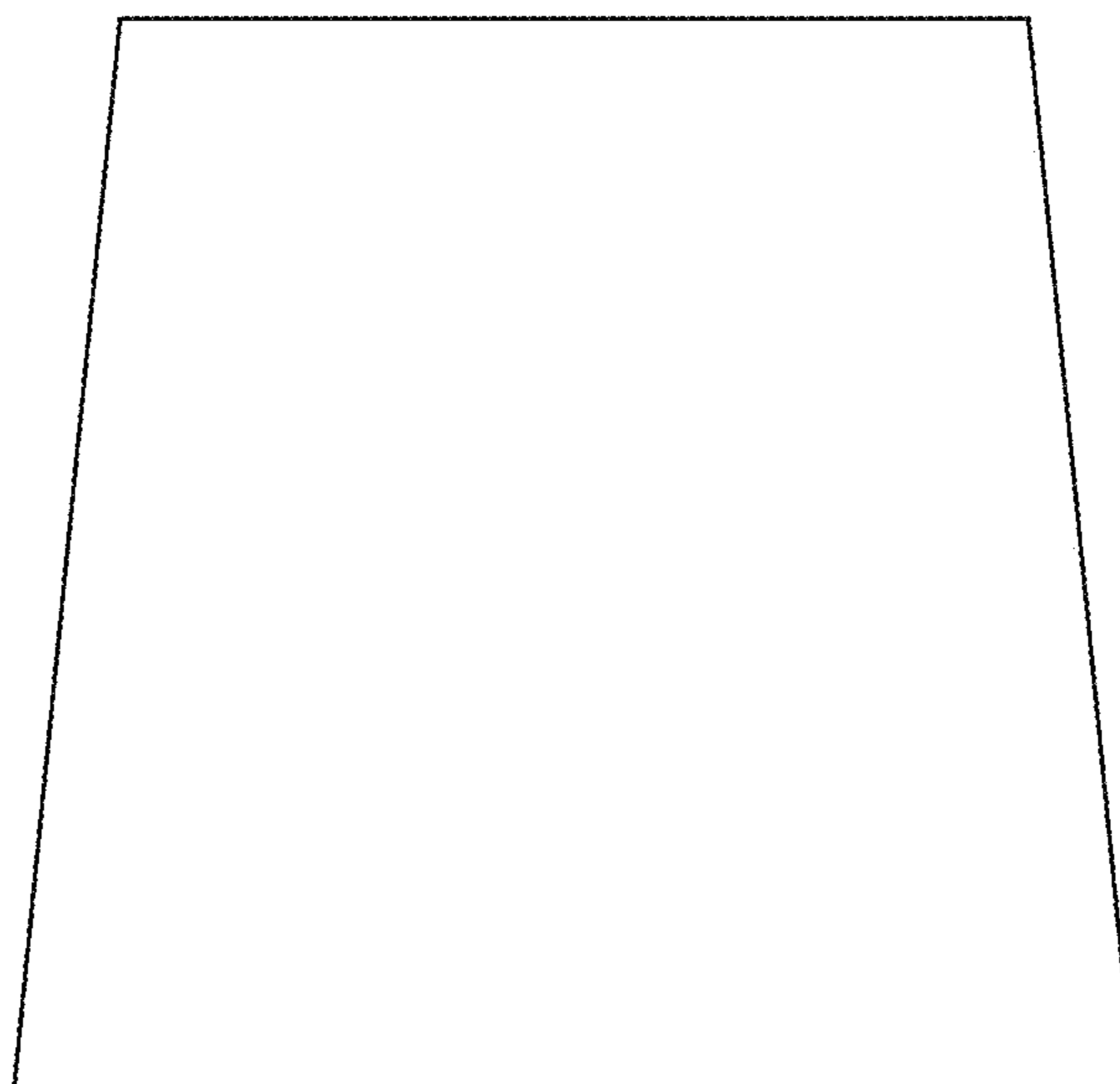


FIG. 38

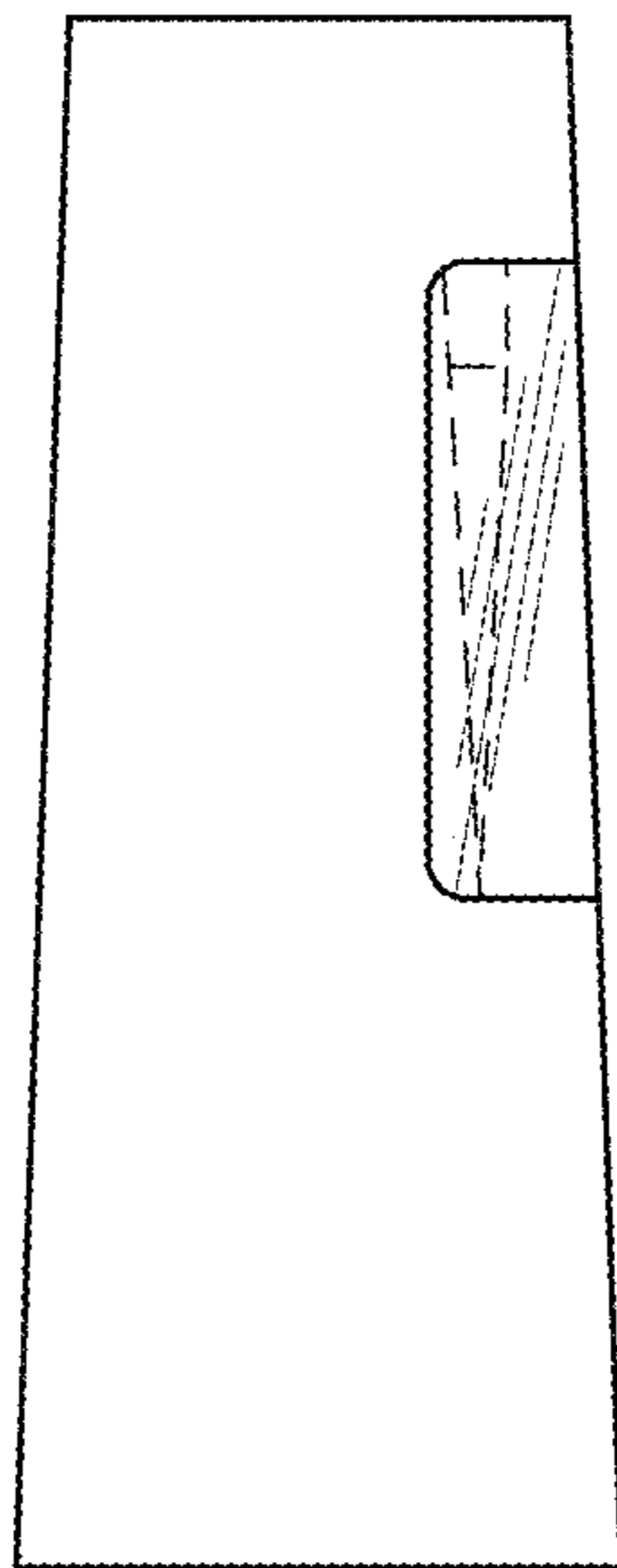


FIG. 39

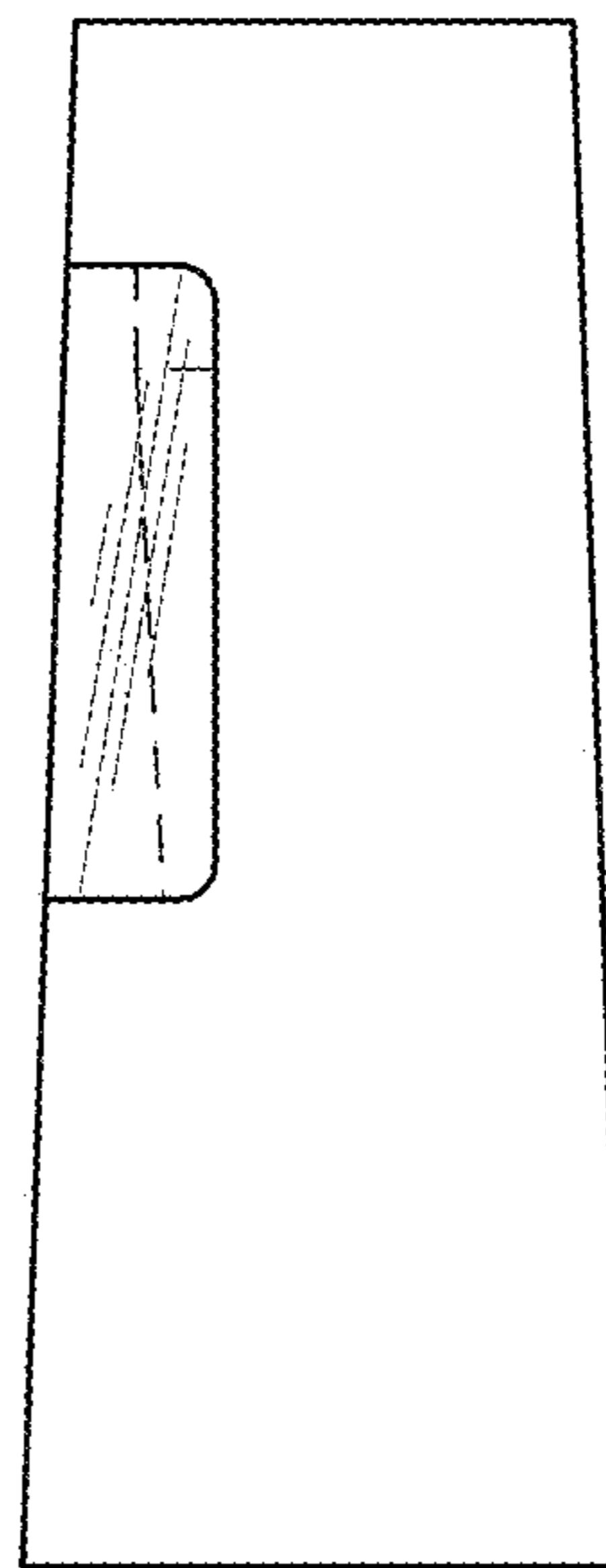


FIG. 40



FIG. 41

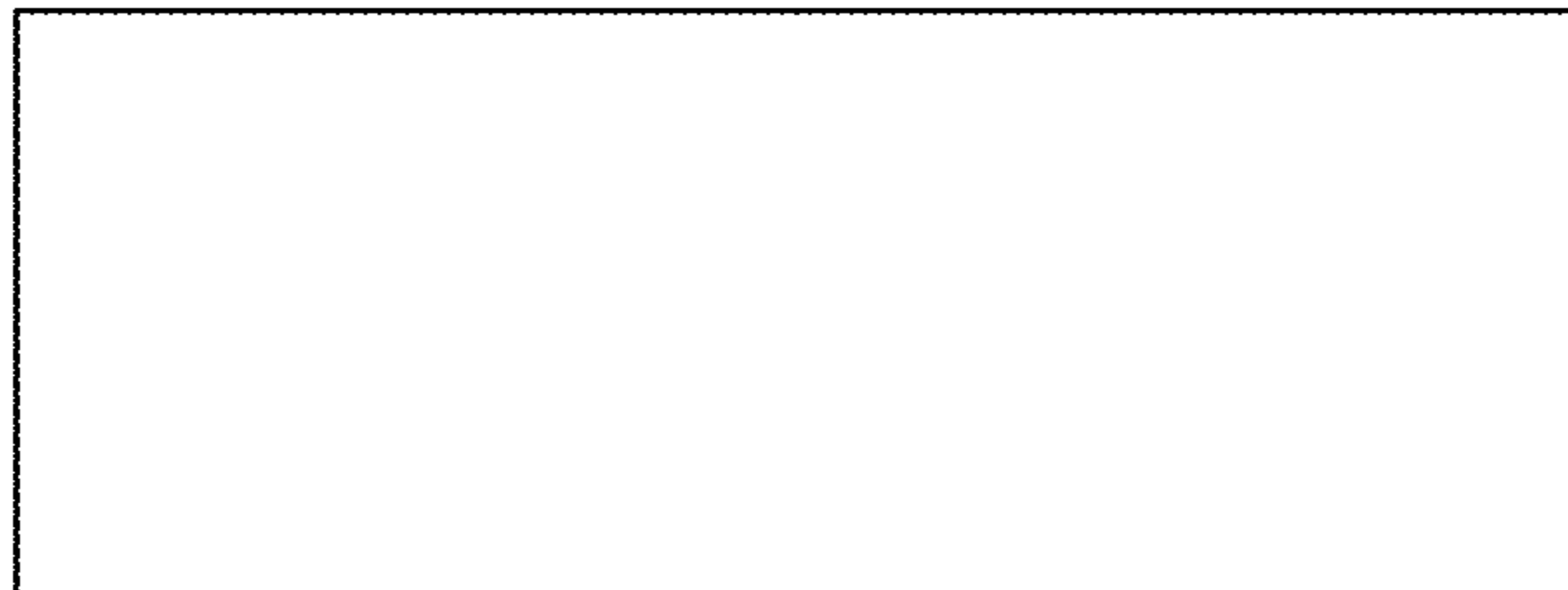


FIG. 42