



US00D921479S

(12) **United States Design Patent** (10) **Patent No.:** **US D921,479 S**  
**Smith et al.** (45) **Date of Patent:** **\*\* Jun. 8, 2021**

(54) **EYELET INTERFERENCE SCREW**

(71) Applicant: **International Life Sciences LLC**,  
Marietta, GA (US)

(72) Inventors: **Aaron Smith**, Marietta, GA (US);  
**Chase Thornburg**, Cumming, GA  
(US); **Jantzen Cole**, Woodstock, GA  
(US)

(73) Assignee: **International Life Sciences LLC**,  
Marietta, GA (US)

(\*\*) Term: **15 Years**

(21) Appl. No.: **29/671,426**

(22) Filed: **Nov. 27, 2018**

(51) **LOC (13) Cl.** ..... **08-08**

(52) **U.S. Cl.**

USPC ..... **D8/387; D24/155**

(58) **Field of Classification Search**

USPC ..... **D24/145, 155; D8/385, 387, 388**

(Continued)

(56) **References Cited**

**U.S. PATENT DOCUMENTS**

4,870,957 A \* 10/1989 Goble ..... A61B 17/686  
623/13.12  
5,370,662 A \* 12/1994 Stone ..... A61B 17/0401  
606/232

(Continued)

**FOREIGN PATENT DOCUMENTS**

WO 02/30262 4/2002

**OTHER PUBLICATIONS**

International Search Report and Written Opinion issued in corre-  
sponding foreign application, PCT/US19/64175, pp. 1-15 (dated  
Feb. 14, 2020).

*Primary Examiner* — Sandra Snapp

*Assistant Examiner* — Ieisha N Price

(74) *Attorney, Agent, or Firm* — David G. Rosenbaum;  
Rosenbaum IP P.C.

(57) **CLAIM**

The ornamental design for an eyelet interference screw, as  
shown and described.

**DESCRIPTION**

FIG. 1 is a perspective view of an eyelet interference screw  
according to my design, which comprises of an eyelet and an  
interference screw;

FIG. 2 is a front view of the eyelet interference screw  
according to my design;

FIG. 3 is a right side view of the eyelet interference screw  
according to my design;

FIG. 4 is a rear view of the eyelet interference screw  
according to my design;

FIG. 5 is a left side view of the eyelet interference screw  
according to my design;

FIG. 6 is an enlarged bottom view of the eyelet interference  
screw according to design;

FIG. 7 is an enlarged top view of the eyelet interference  
screw according to my design;

FIG. 8 is a perspective view of the interference screw  
portion of FIG. 1, which is shown with the eyelet portion  
removed for ease of illustration;

FIG. 9 is a front view of FIG. 8;

FIG. 10 is a right side view of FIG. 8;

FIG. 11 is a rear view of FIG. 8;

FIG. 12 is a left side view of FIG. 8;

FIG. 13 is an enlarged top view of FIG. 8;

FIG. 14 is an enlarged bottom view of FIG. 8;

FIG. 15 is a perspective view of the eyelet portion of FIG.  
1, which is shown with the interference screw portion  
removed for ease of illustration;

FIG. 16 is a front view of FIG. 15;

FIG. 17 is a right side view of FIG. 15;

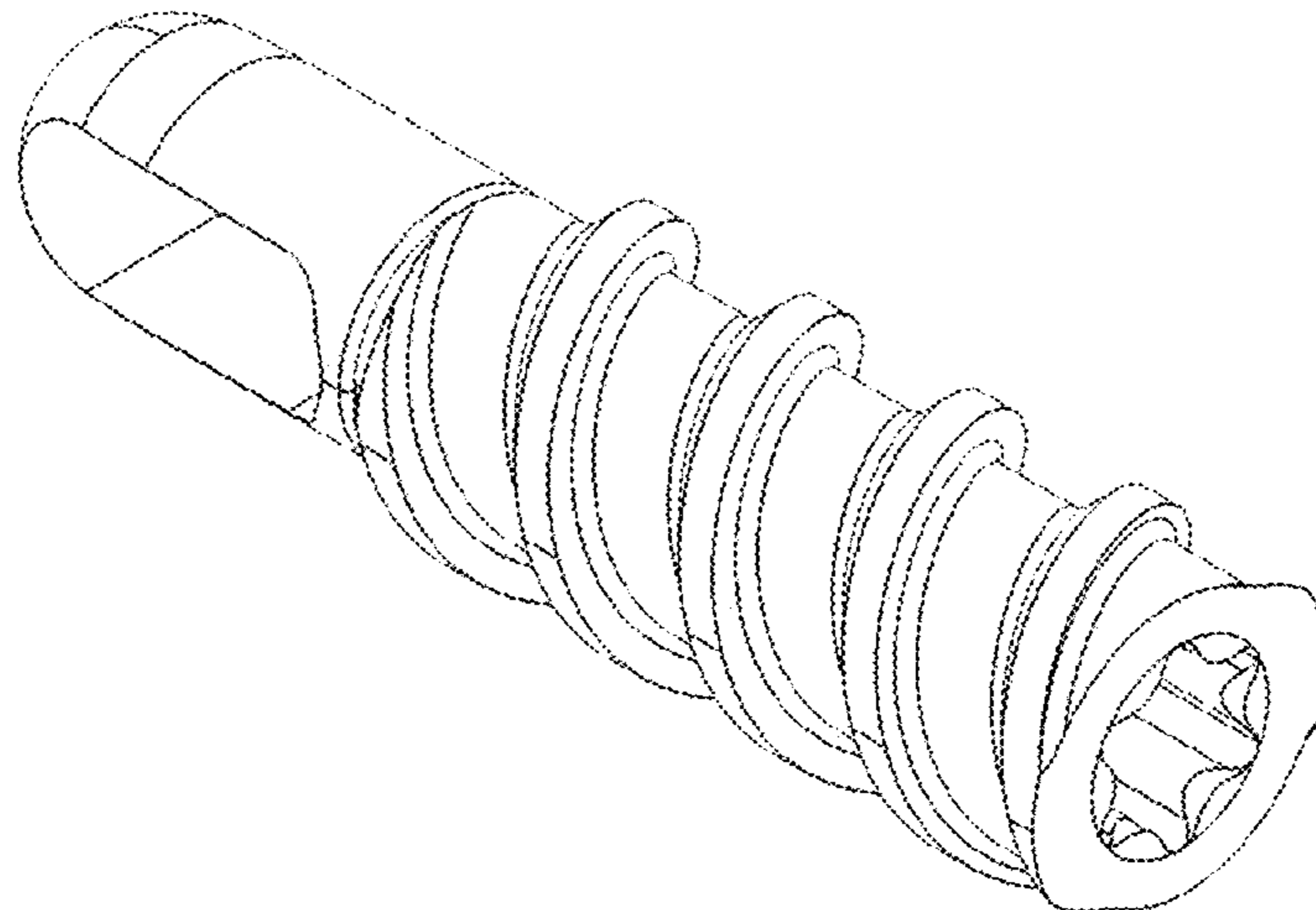
FIG. 18 is a left side view of FIG. 15;

FIG. 19 is a rear view of FIG. 15;

FIG. 20 is an enlarged top view of FIG. 15; and,

FIG. 21 is an enlarged bottom view of FIG. 15.

(Continued)



The broken lines rendered in FIG. 13 illustrate portions of the eyelet interference screw and form no part of the claimed design.

**1 Claim, 12 Drawing Sheets**

(58) **Field of Classification Search**

CPC ..... A61F 2/0811; A61F 2002/0081; A61F 2002/0829; A61F 2002/0852; A61F 2002/0888; A61B 17/0401; A61B 2017/0409; A61B 2017/0414; A61B 2017/044; F16B 23/0007; F16B 23/003; F16B 23/0038; F16B 25/0036; F16B 33/02

See application file for complete search history.

(56) **References Cited**

U.S. PATENT DOCUMENTS

5,372,599 A \* 12/1994 Martins ..... F16G 11/00  
606/75  
5,466,243 A \* 11/1995 Schmieding ..... A61F 2/0805  
606/232  
5,534,011 A 7/1996 Greene, Jr. et al. .... 606/232  
5,645,547 A \* 7/1997 Coleman ..... A61B 17/1615  
606/104  
5,824,011 A \* 10/1998 Stone ..... A61B 17/0401  
606/232  
5,868,789 A \* 2/1999 Huebner ..... A61B 17/0401  
606/232  
5,964,783 A \* 10/1999 Grafton ..... A61B 17/0401  
606/232  
6,045,554 A \* 4/2000 Grooms ..... A61B 17/862  
606/304  
6,517,542 B1 2/2003 Papay et al. .... 606/73  
6,979,334 B2 12/2005 Dalton ..... 606/61  
7,144,413 B2 12/2006 Wilford et al. .... 606/232  
8,361,114 B2 1/2013 Stone et al. .... 606/232  
8,764,797 B2 7/2014 Dreyfuss et al. .... 606/232  
8,821,541 B2 9/2014 Dreyfuss et al. .. A61B 17/0401  
8,845,685 B2 9/2014 Stone et al. .... A61B 17/0401  
9,005,246 B2 4/2015 Burkhart et al. .. A61B 17/0401  
9,089,415 B2 7/2015 Brunelle et al. .... A61F 2/0811  
9,113,859 B2 8/2015 Dooney, Jr. et al. ....  
A61B 17/0401  
D740,417 S \* 10/2015 Chavan ..... D24/145  
D740,419 S \* 10/2015 Chavan ..... D24/145  
D741,480 S \* 10/2015 Chavan ..... D24/145  
9,179,907 B2 11/2015 ElAttrache et al. ....  
A61B 17/0401  
9,301,745 B2 4/2016 Dreyfuss ..... A61B 17/0401  
9,486,207 B2 11/2016 Dooney, Jr. et al. ....  
A61B 17/0401  
9,532,775 B2 1/2017 Stone et al. .... A61B 17/0401  
9,861,353 B2 1/2018 Feezor et al. .... A61B 17/0401  
D812,751 S \* 3/2018 Richter ..... D24/146  
9,980,753 B2 5/2018 Jackson et al. .... A61B 17/7032  
D855,183 S \* 7/2019 Alladu ..... D24/155  
D868,967 S \* 12/2019 Sauer ..... D24/145

2001/0025181 A1 9/2001 Freedlan ..... 606/73  
2001/0053913 A1 12/2001 Freedland ..... 606/73  
2002/0052605 A1 \* 5/2002 Grooms ..... A61B 17/8883  
623/13.14  
2002/0156476 A1 \* 10/2002 Wilford ..... A61F 2/0811  
606/232  
2006/0161159 A1 \* 7/2006 Dreyfuss ..... A61B 17/0401  
606/232  
2007/0225764 A1 \* 9/2007 Benavitz ..... A61B 17/0401  
606/232  
2008/0147063 A1 \* 6/2008 Cauldwell ..... A61B 17/0401  
606/60  
2009/0076545 A1 \* 3/2009 DiMatteo ..... A61B 17/0401  
606/232  
2009/0287246 A1 11/2009 Cauldwell et al. .... 606/232  
2010/0088925 A1 4/2010 Jia ..... 36/54  
2010/0152773 A1 \* 6/2010 Lunn ..... A61B 17/0401  
606/232  
2010/0179592 A1 7/2010 Martinek et al. .... 606/232  
2010/0249855 A1 9/2010 Bless ..... 606/305  
2010/0249944 A1 \* 9/2010 Thomas ..... A61B 17/0401  
623/23.57  
2010/0331896 A1 12/2010 Le Couedic et al. .... 606/305  
2011/0107619 A1 5/2011 Esquivel et al. .... 36/50.1  
2011/0118762 A1 \* 5/2011 Dooney, Jr. .... A61B 17/0401  
606/148  
2011/0319933 A1 12/2011 Tepic ..... 606/232  
2012/0041496 A1 2/2012 Walker ..... 606/321  
2012/0143250 A1 6/2012 West, Jr. .... 606/232  
2012/0158051 A1 6/2012 Foerster ..... 606/232  
2012/0203340 A1 \* 8/2012 Choinski ..... A61B 17/0401  
623/13.14  
2013/0006302 A1 \* 1/2013 Paulk ..... A61F 2/0811  
606/232  
2013/0035721 A1 2/2013 Brunelle ..... 606/232  
2013/0158599 A1 \* 6/2013 Hester ..... A61B 17/0401  
606/232  
2014/0243892 A1 \* 8/2014 Choinski ..... A61B 17/0401  
606/232  
2014/0277530 A1 \* 9/2014 Stalcup ..... A61B 17/864  
623/20.17  
2015/0018880 A1 1/2015 Stone et al. .... A61B 17/04  
2015/0142024 A1 \* 5/2015 Arai ..... A61F 2/0811  
606/151  
2015/0201923 A1 \* 7/2015 Fan ..... A61B 17/0401  
606/232  
2015/0245901 A1 9/2015 Tenjin ..... A61F 2/0811  
2015/0313586 A1 11/2015 Burkhart et al. .. A61B 17/0401  
2016/0157852 A1 \* 6/2016 Dougherty ..... A61B 17/0401  
606/232  
2017/0095245 A1 \* 4/2017 Lahteenkorva .... A61B 17/0485  
2017/0105716 A1 \* 4/2017 Burkhart ..... A61B 17/0485  
2017/0151054 A1 6/2017 Stone et al. .... A61F 2/0811  
2017/0172560 A1 \* 6/2017 Patel ..... A61B 17/0401  
2017/0209135 A1 7/2017 Sullivan et al. ... A61B 17/0401  
2017/0209139 A1 7/2017 Burkhart et al. .. A61B 17/0401  
2017/0231618 A1 8/2017 Dreyfuss et al. .. A61B 17/0401  
2018/0185019 A1 \* 7/2018 Lunn ..... A61B 17/0401  
2018/0263617 A1 9/2018 Feezor et al. .... A61B 17/0401  
2018/0271514 A1 \* 9/2018 Burkhart ..... A61B 17/0401  
2018/0338755 A1 \* 11/2018 Palese ..... A61B 17/0401  
2019/0365369 A1 \* 12/2019 Wahl ..... A61B 17/0401

\* cited by examiner

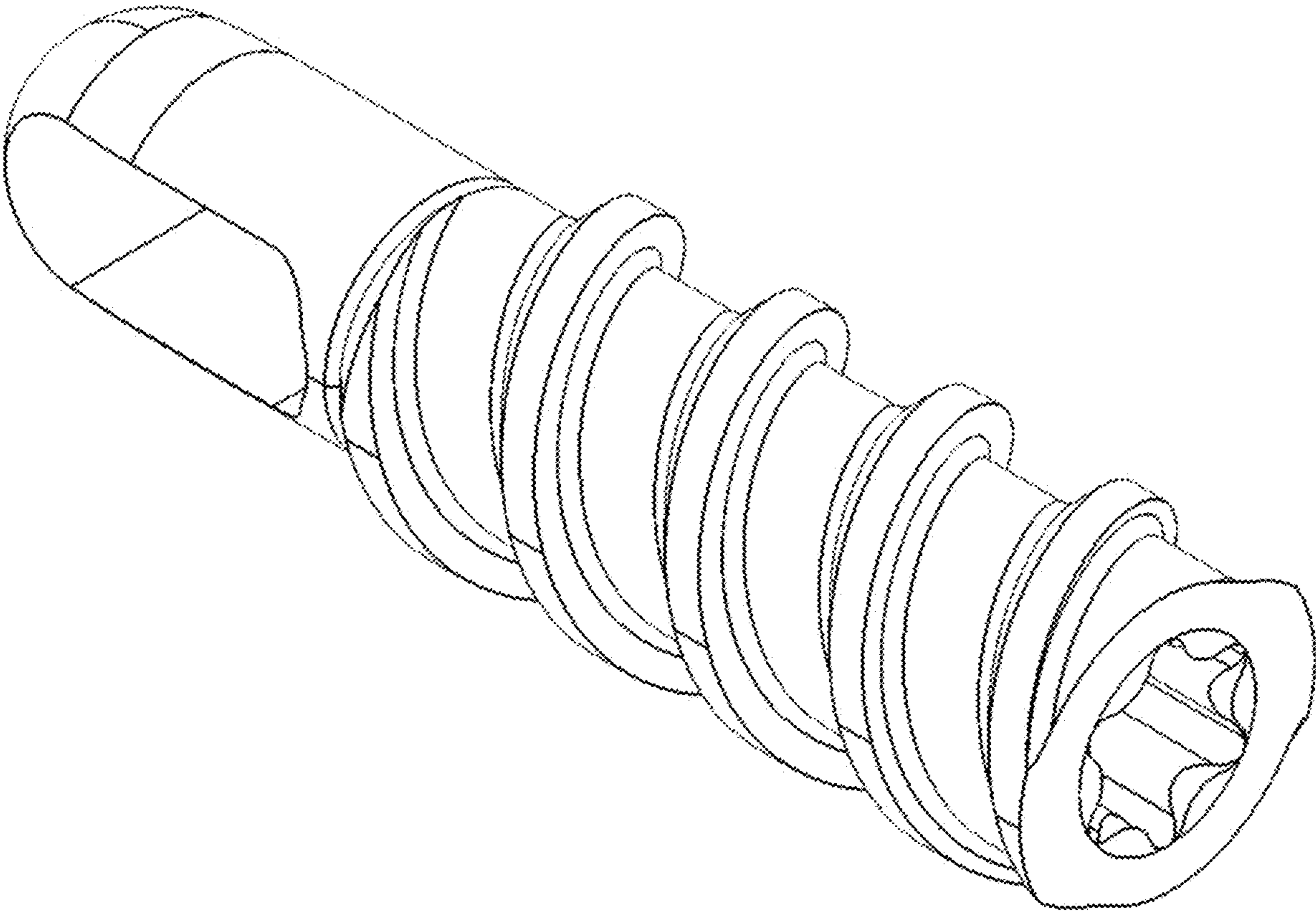


Figure 1

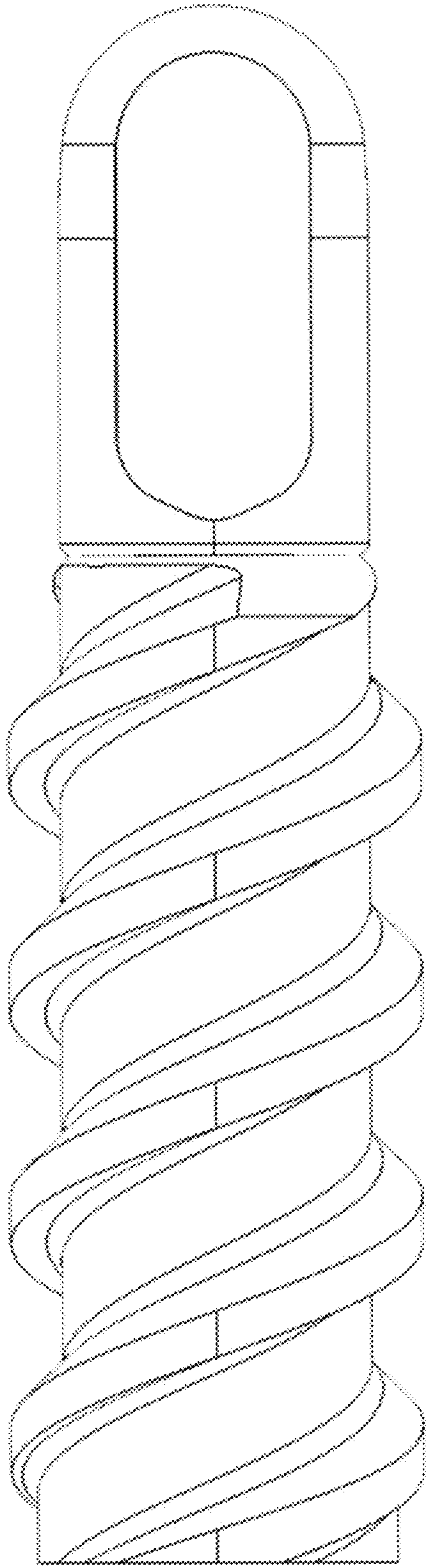


Figure 2

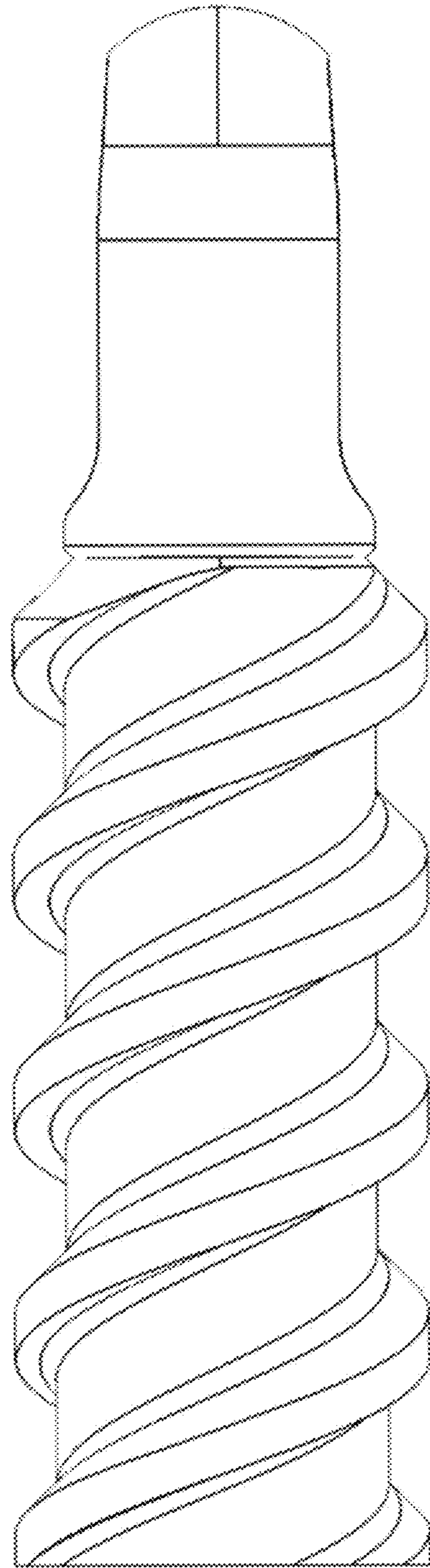


Figure 3

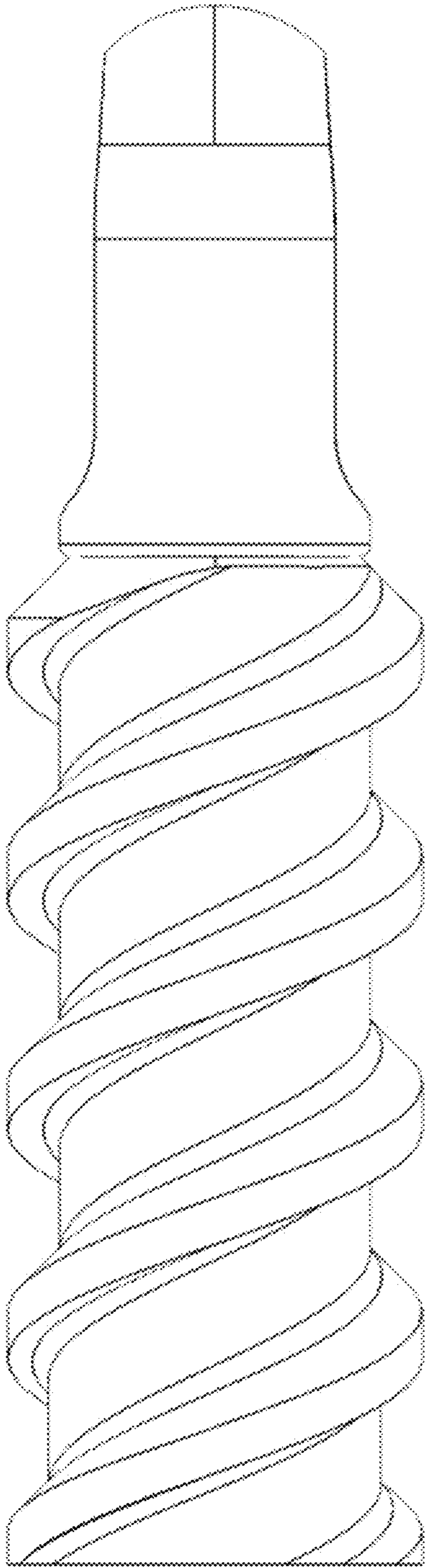


Figure 4

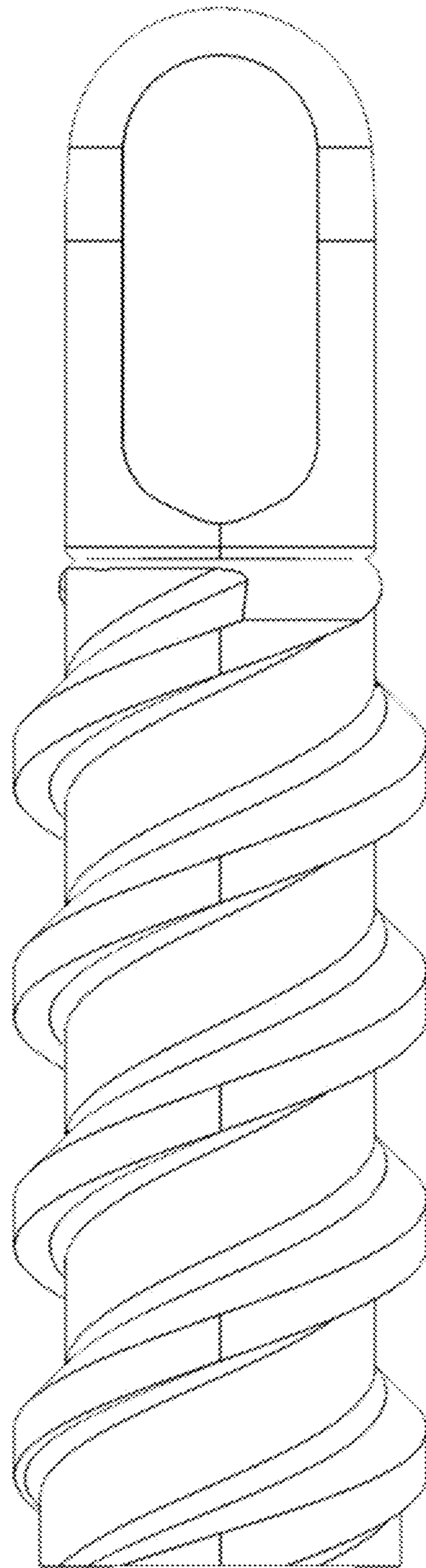


Figure 5

Figure 6

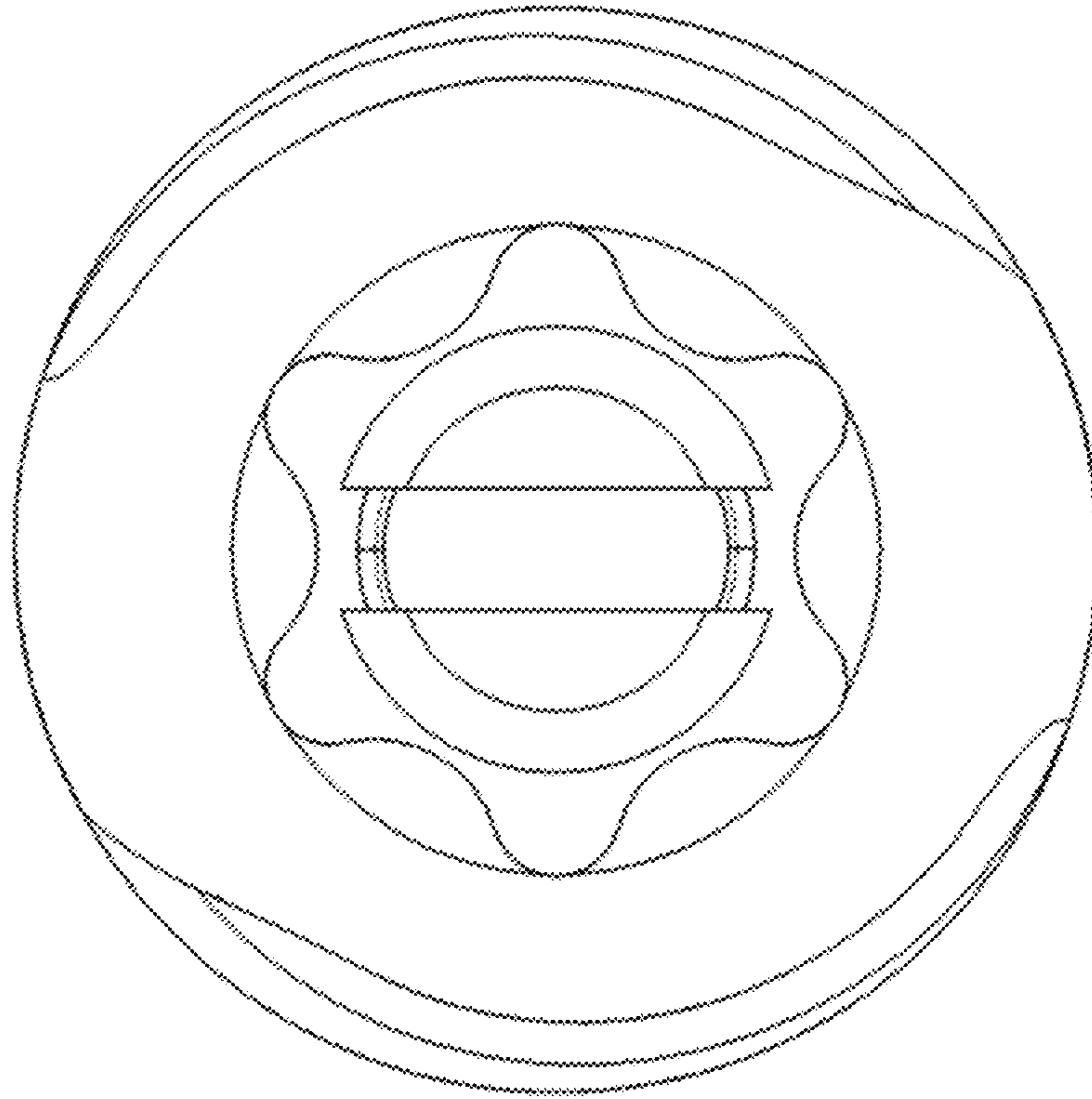
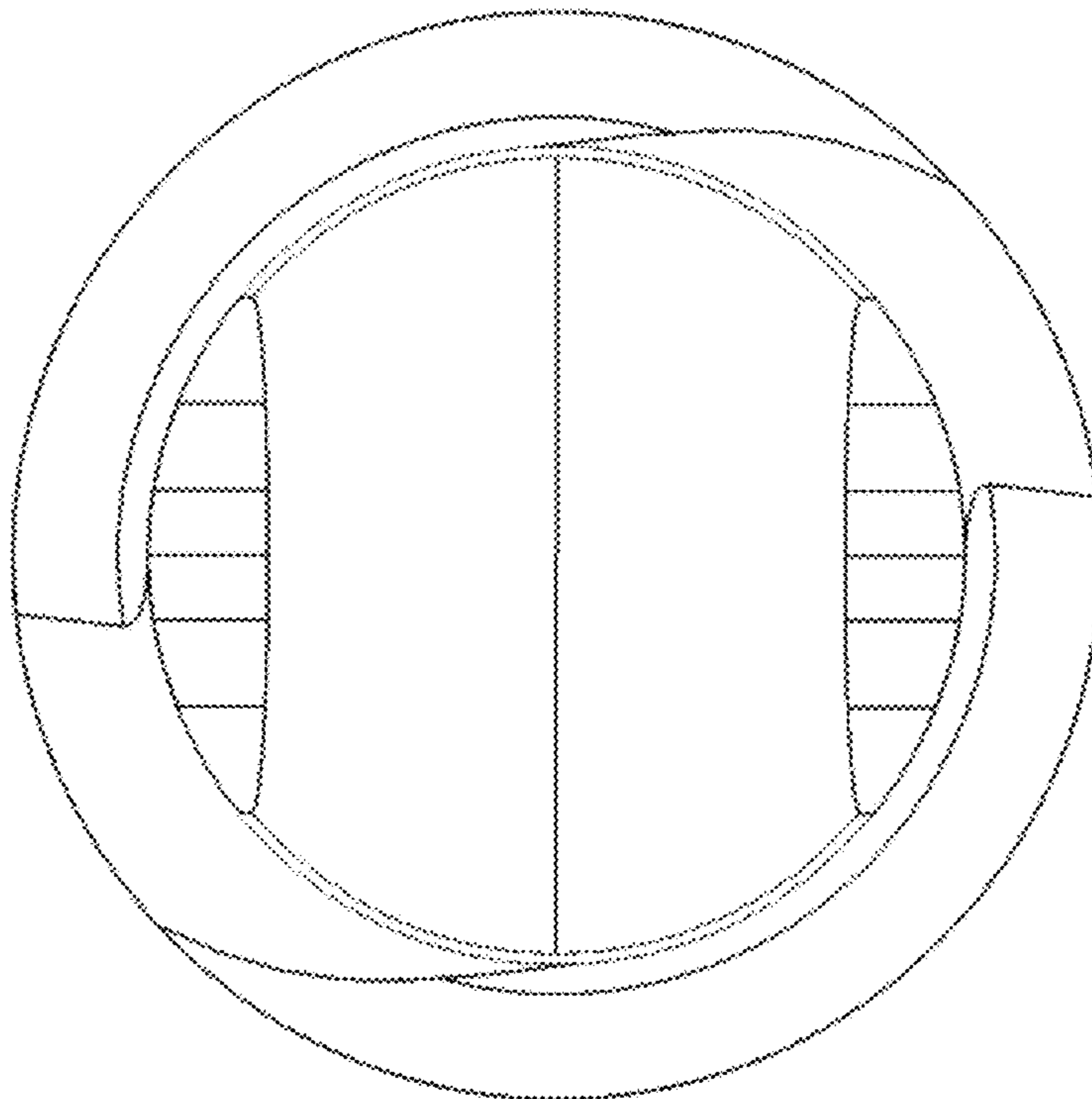


Figure 7



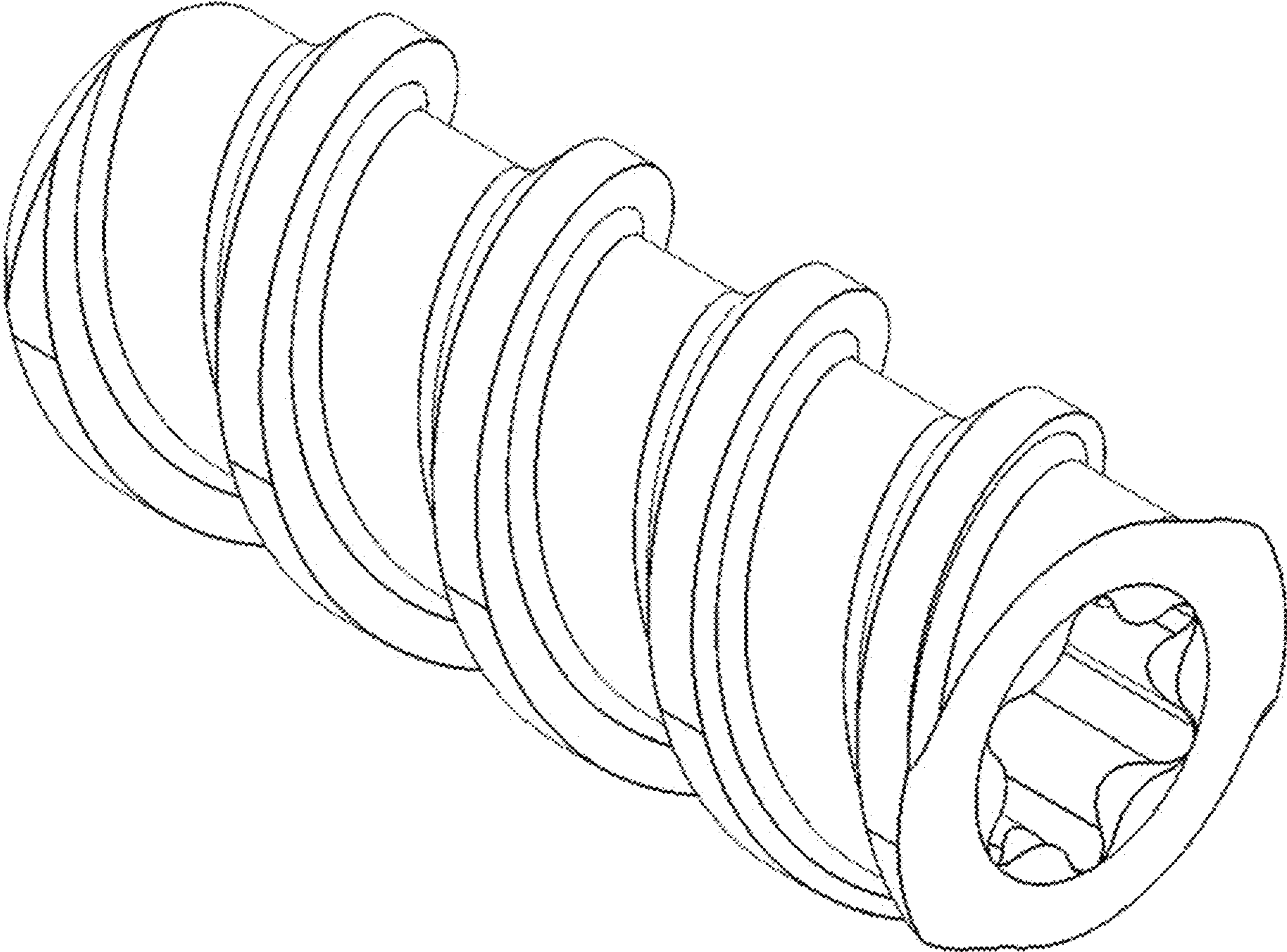


Figure 8

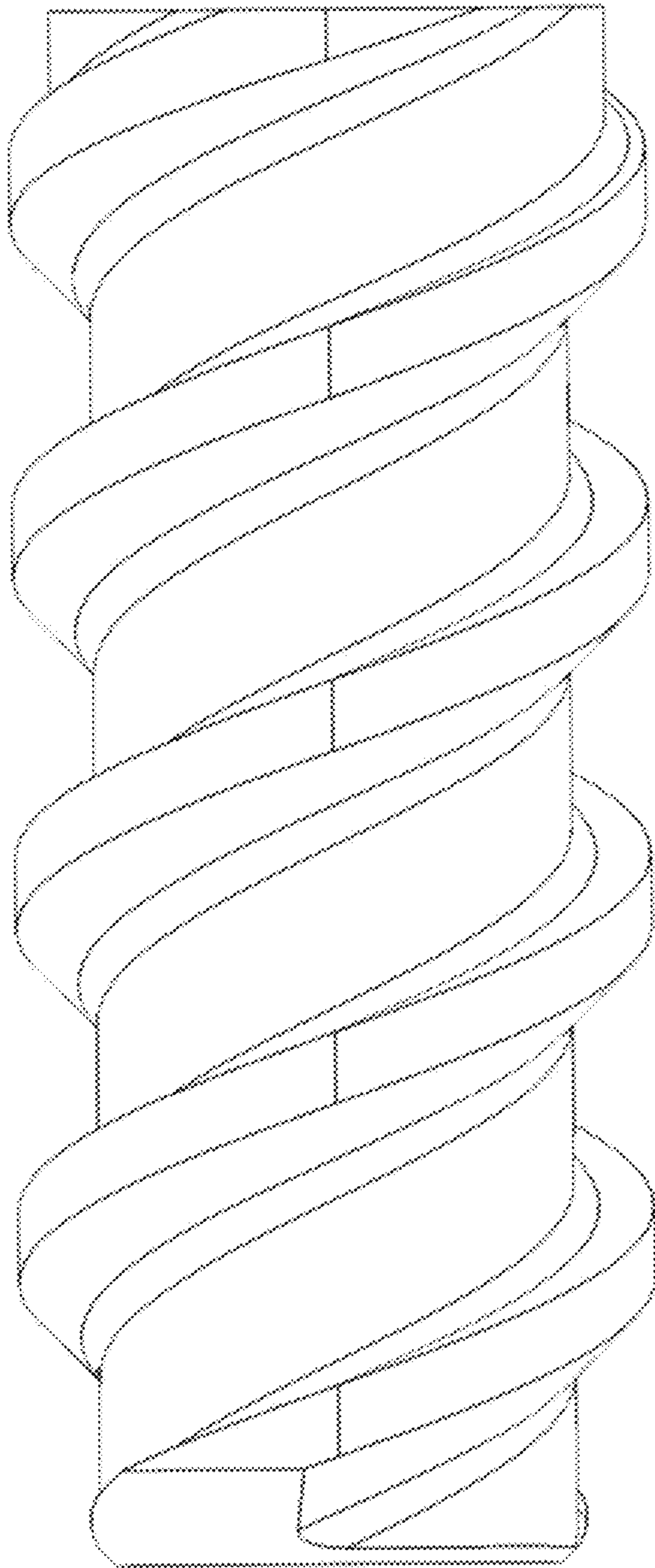


Figure 9

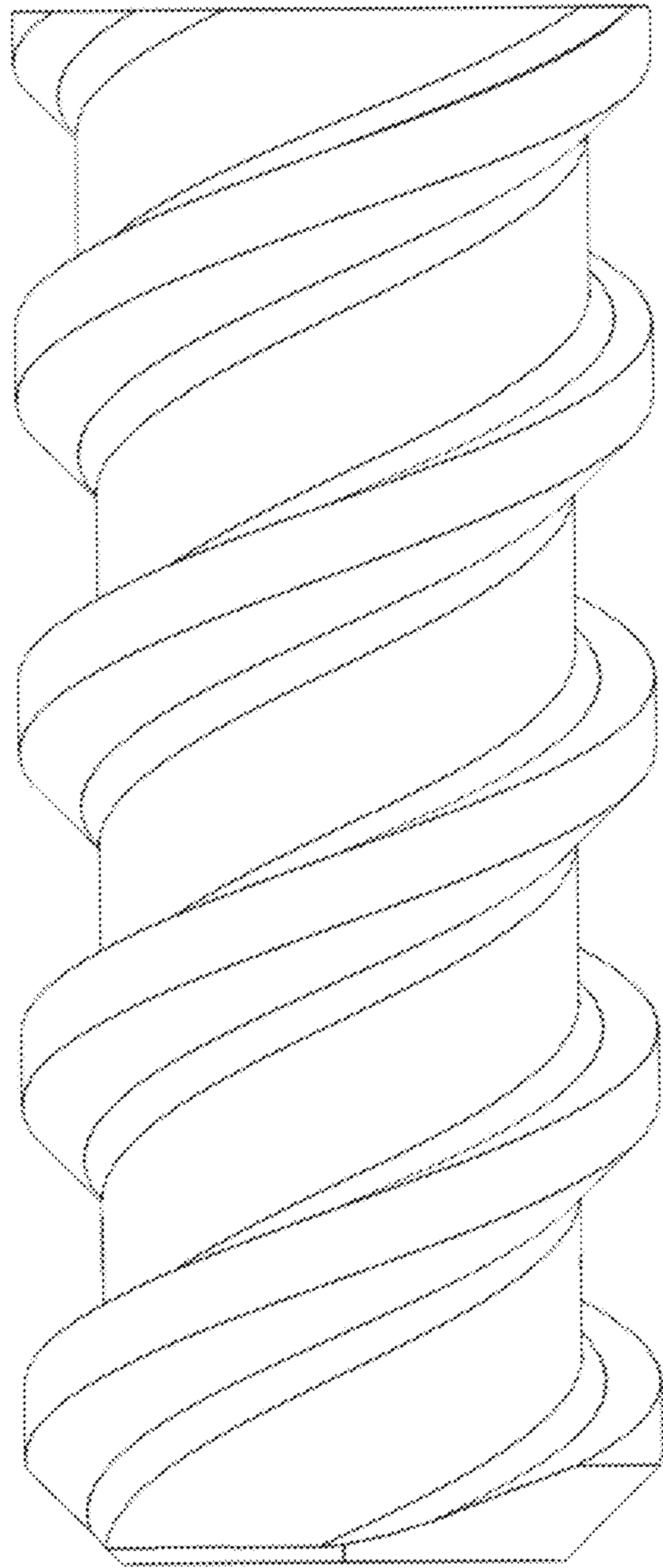


Figure 10



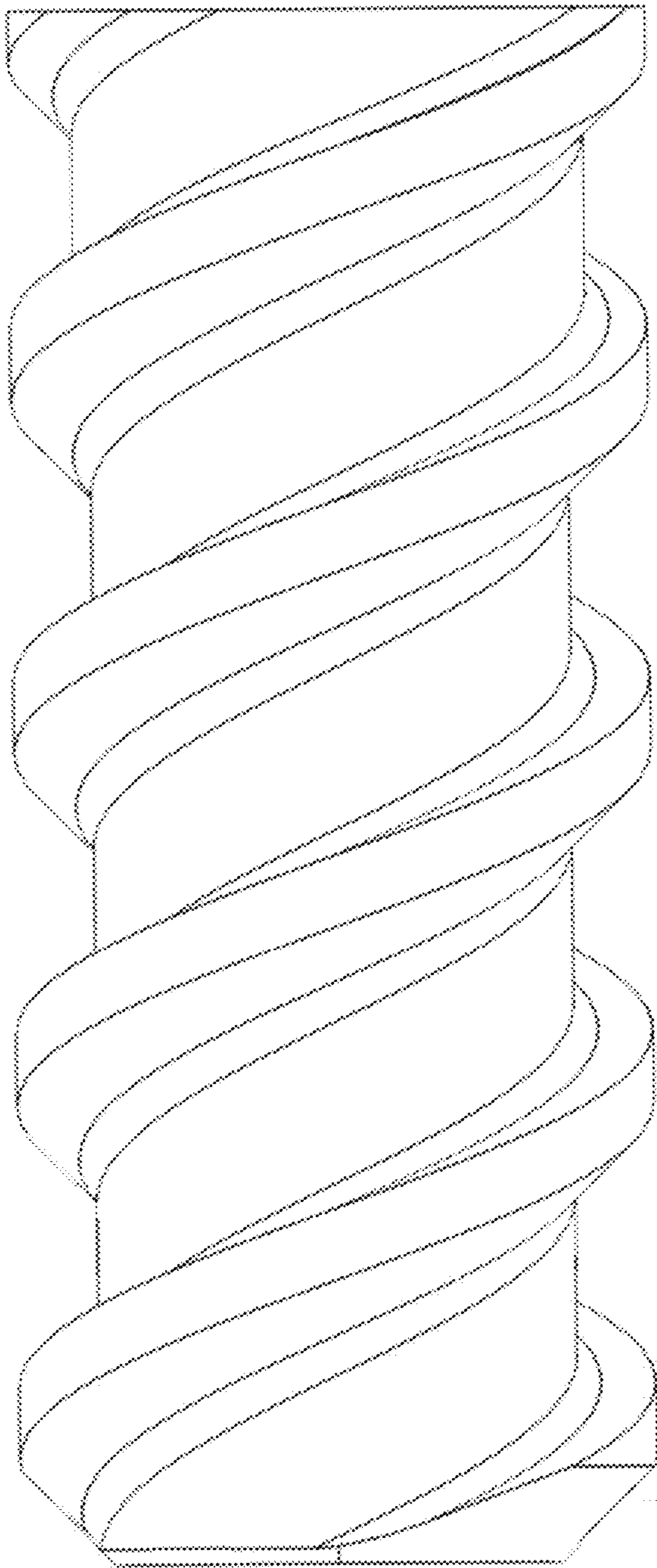


Figure 11

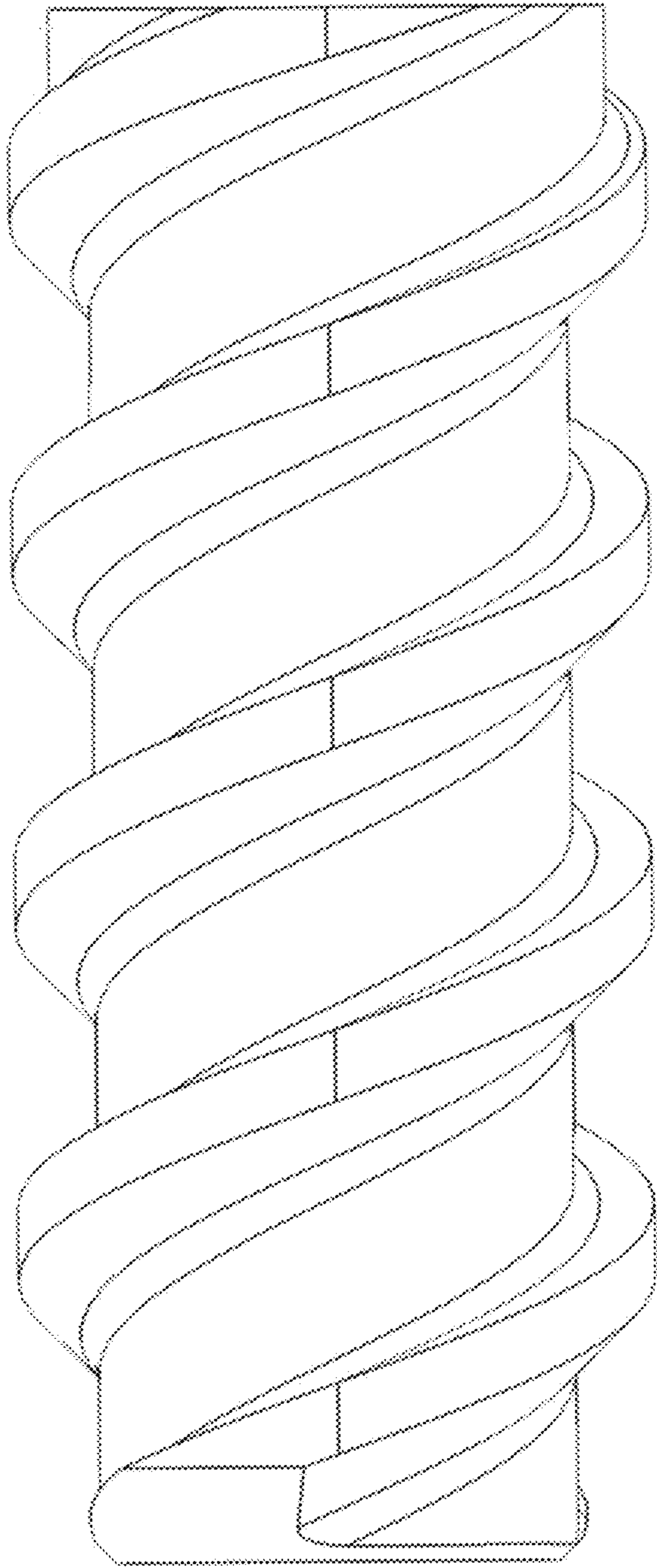


Figure 12

Figure 13

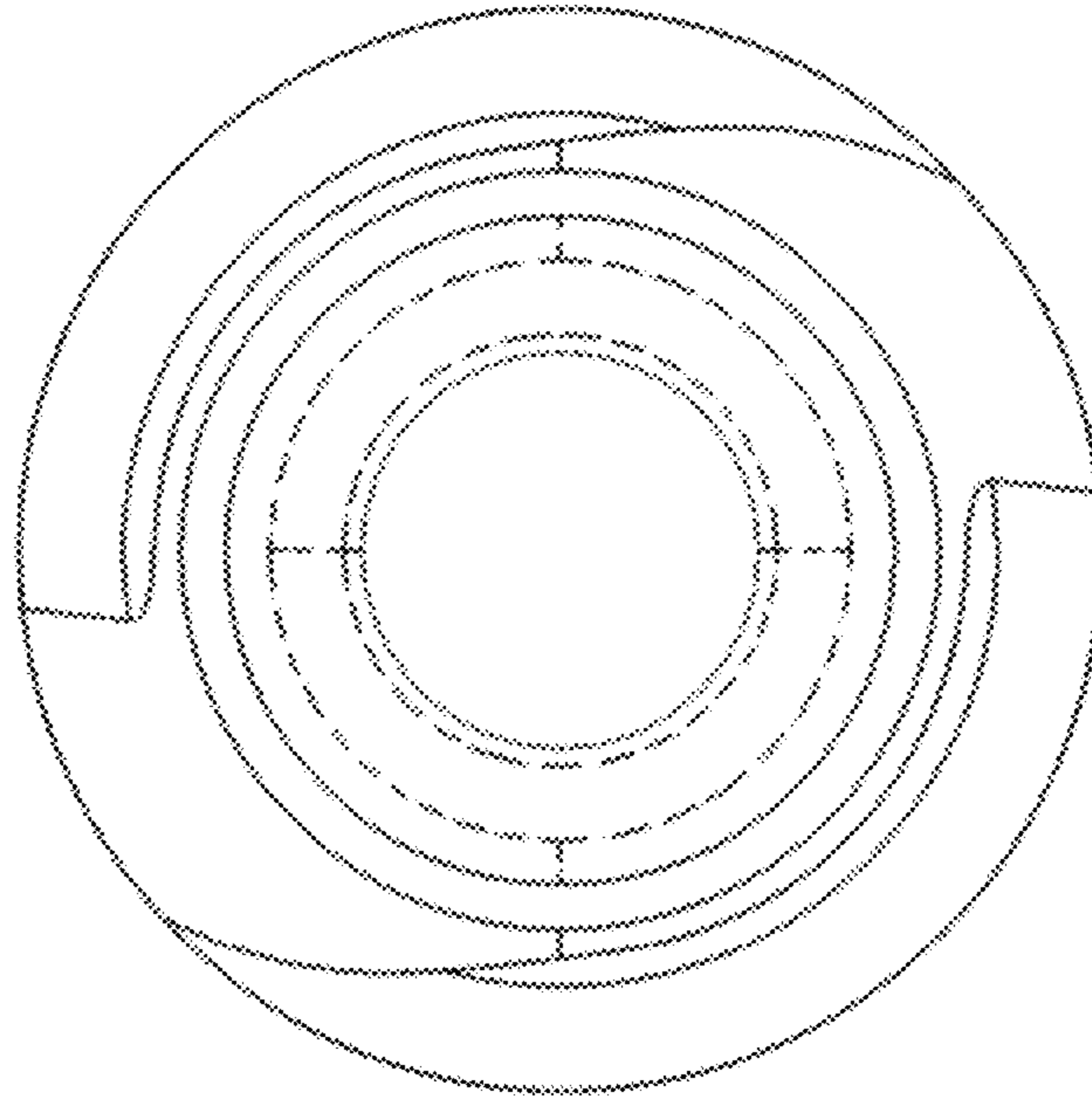
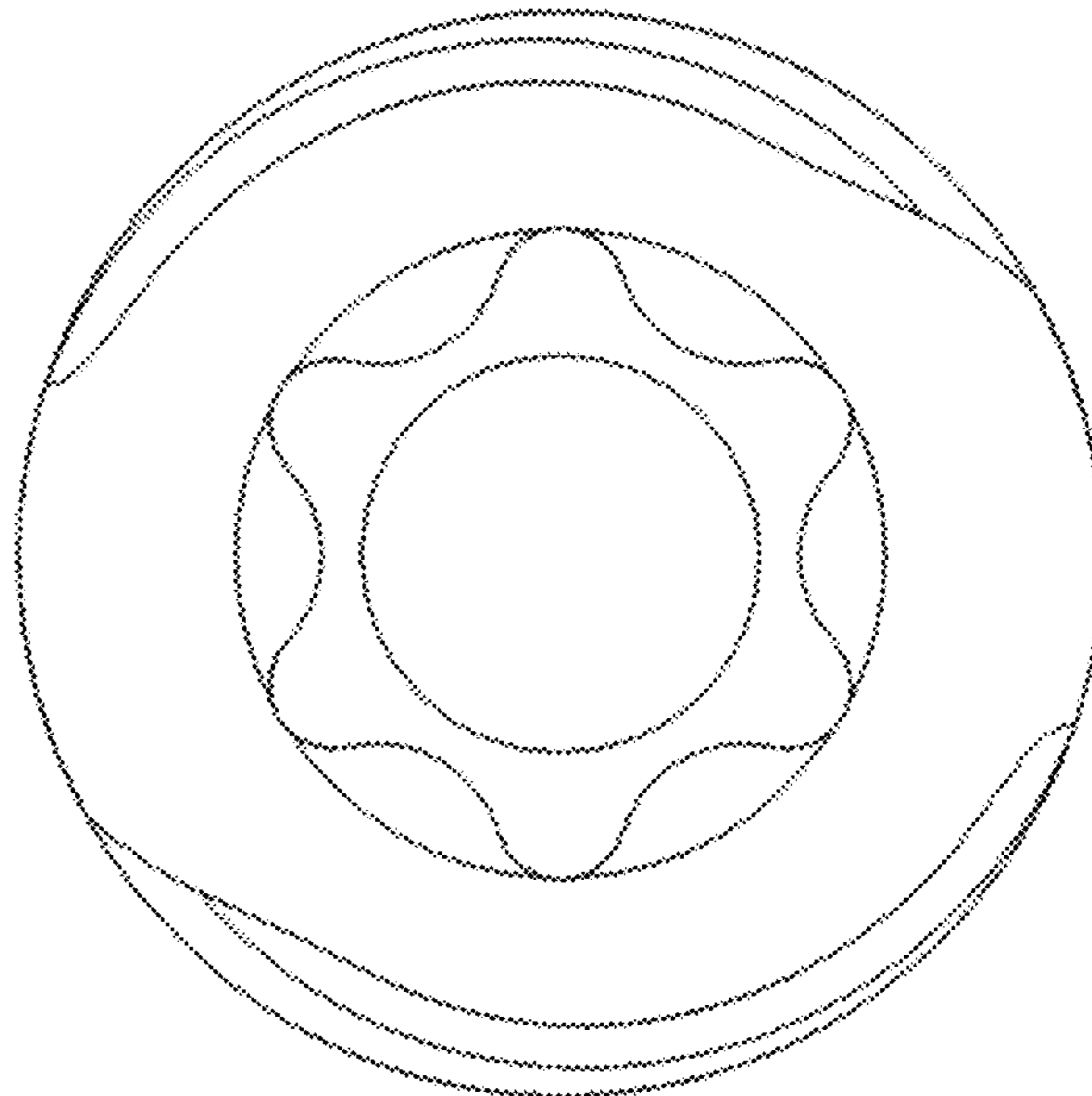


Figure 14



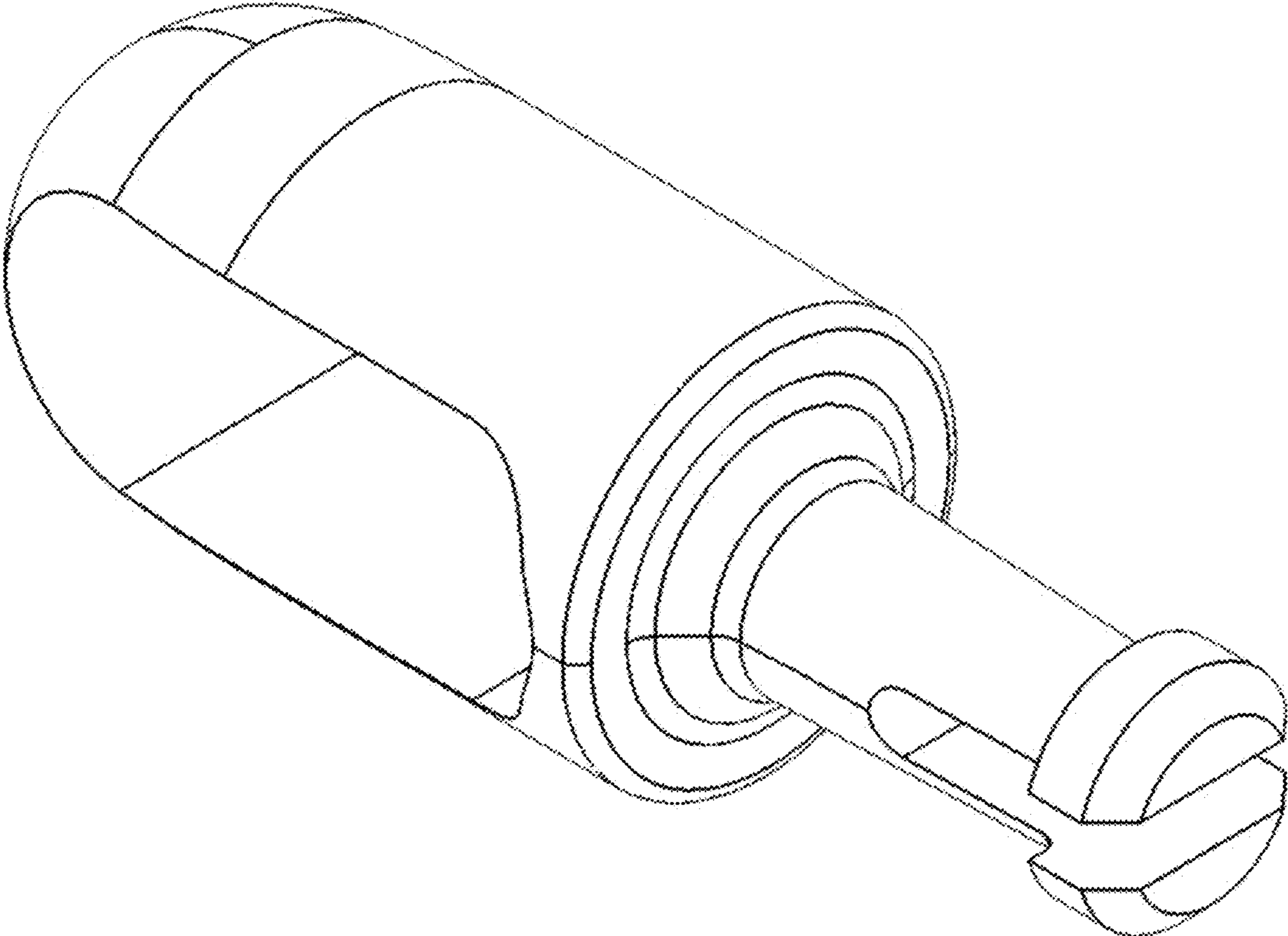


Figure 15

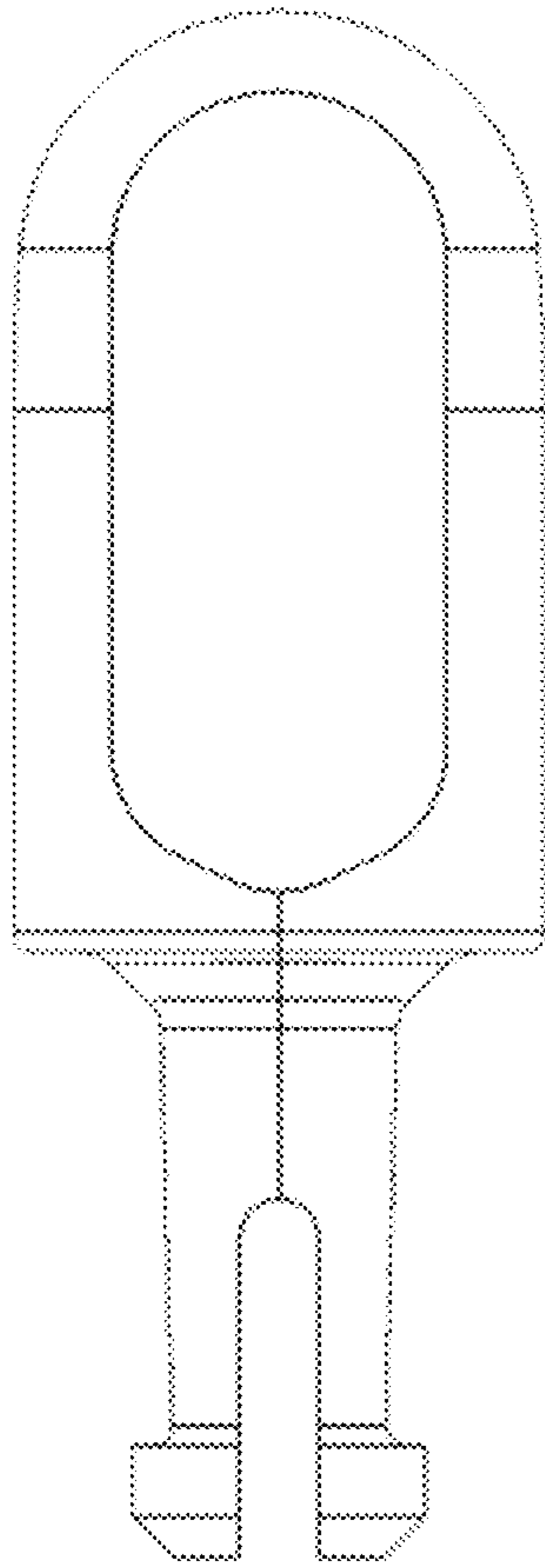


Figure 16

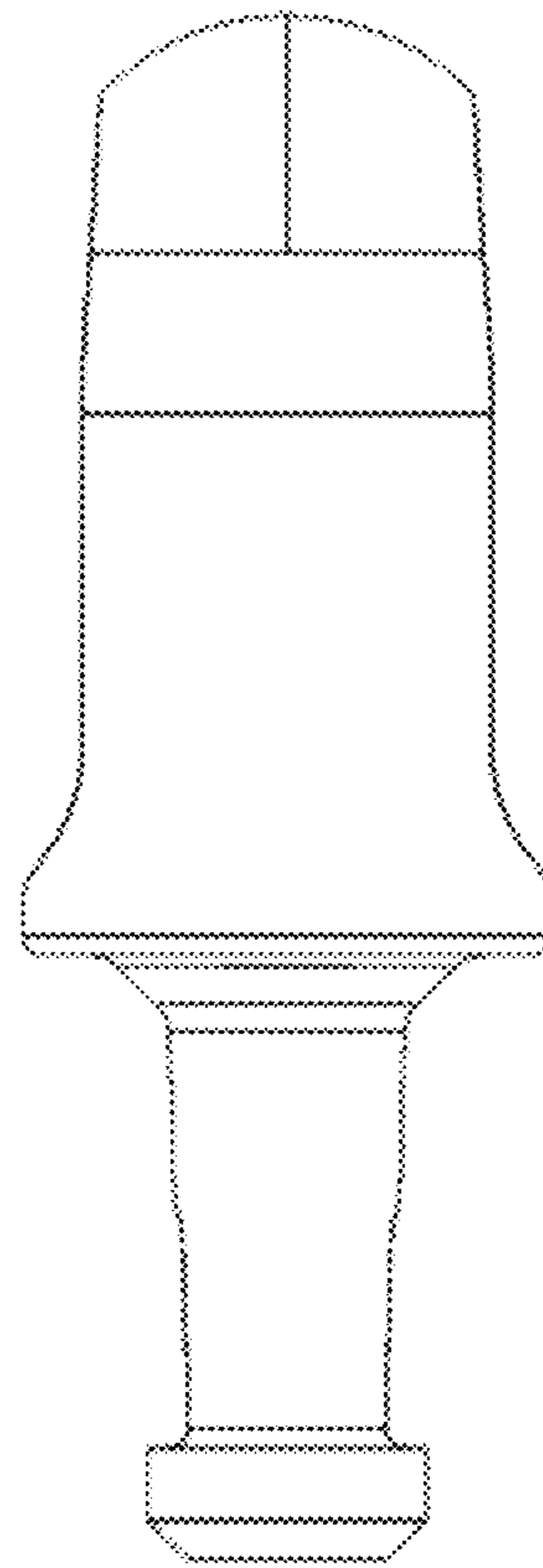


Figure 17

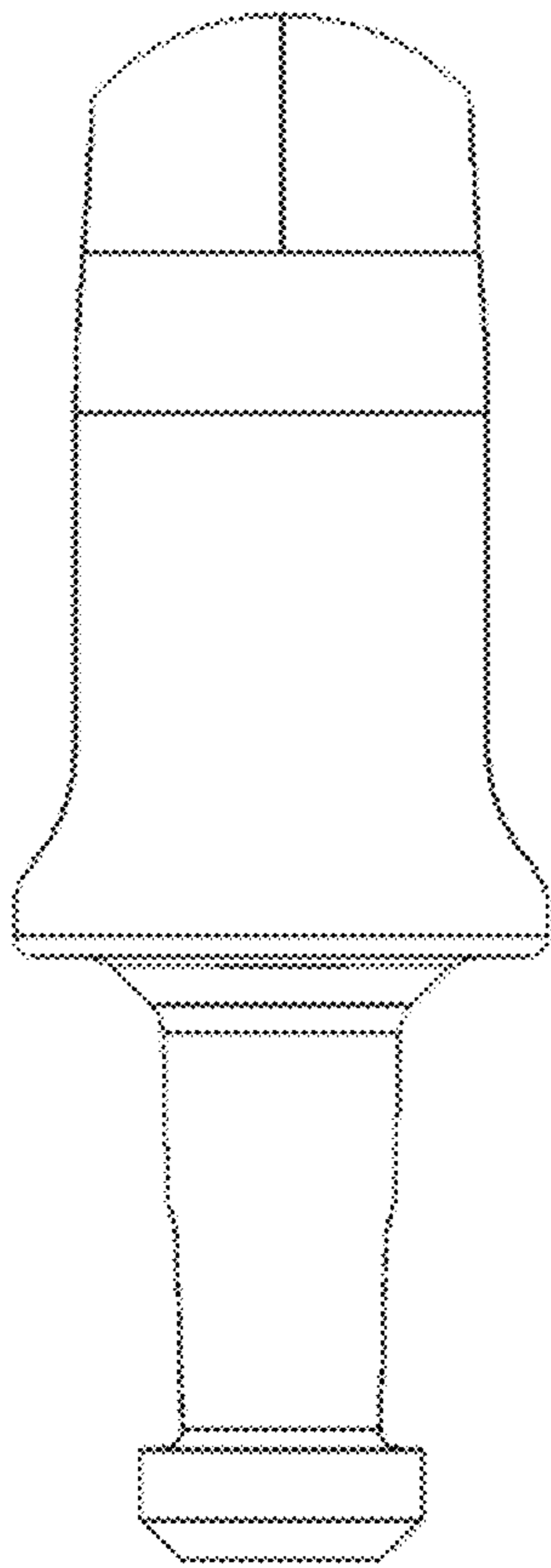


Figure 18

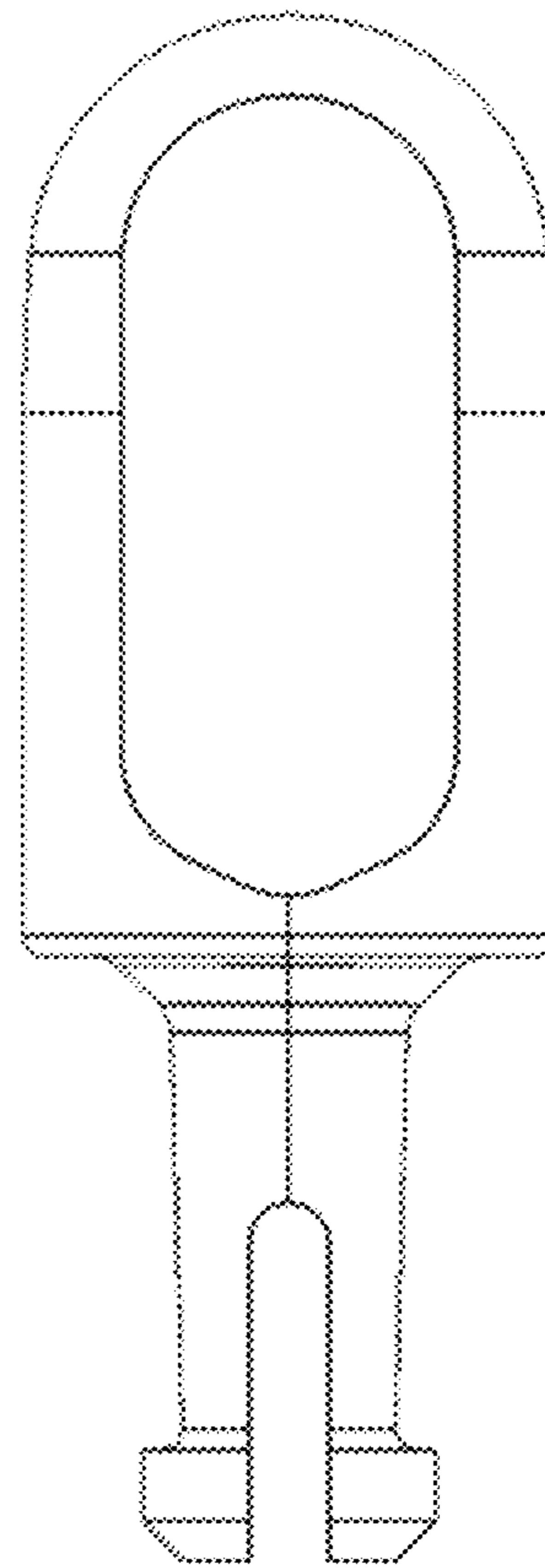


Figure 19

Figure 20

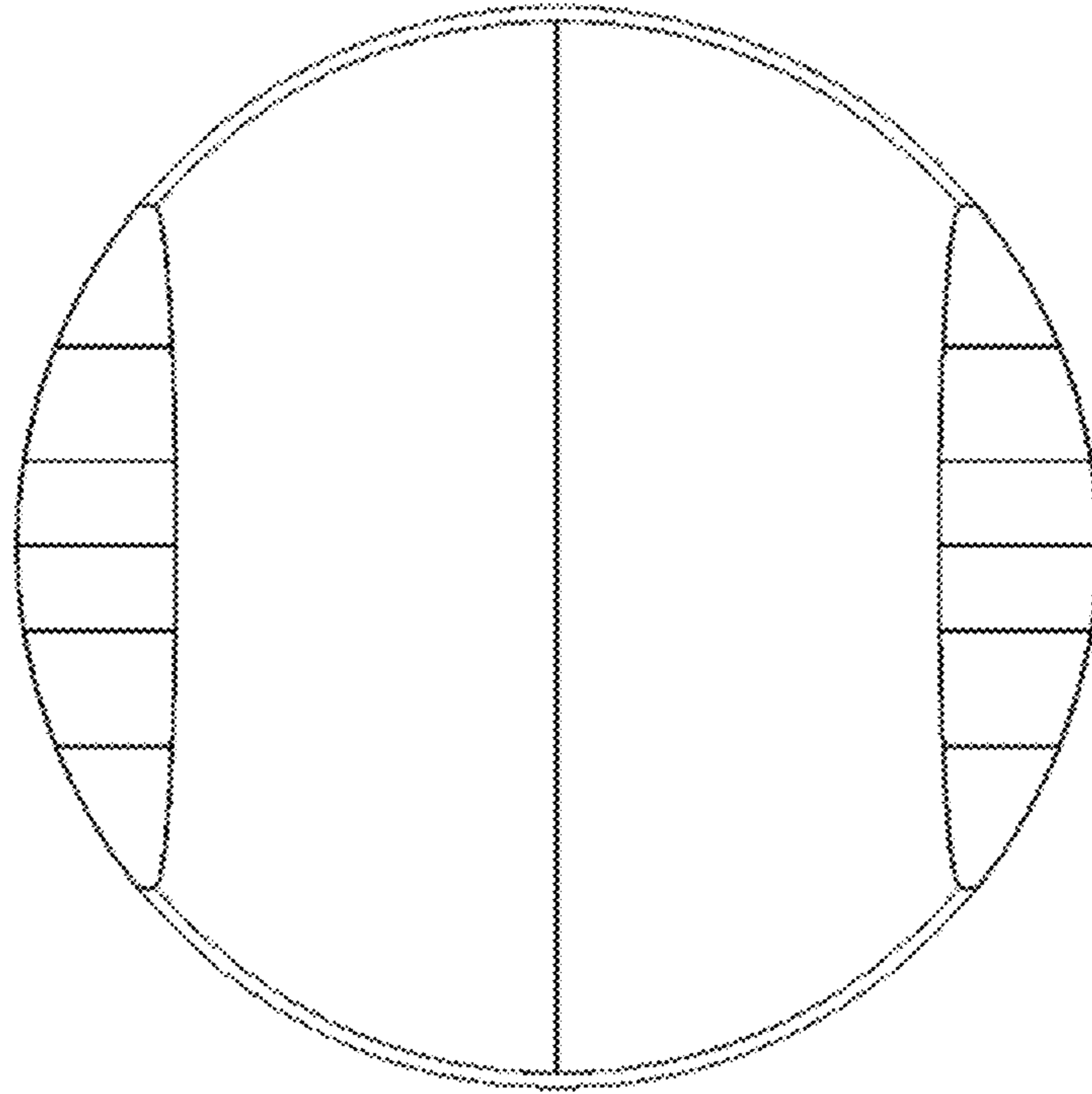


Figure 21

