

US00D921478S

(12) **United States Design Patent** (10) **Patent No.:** **US D921,478 S**
Scott (45) **Date of Patent:** **** Jun. 8, 2021**

(54) **RUNNER FOR A STORAGE RACK**

88/423; A47B 88/427; A47B 19/00; A47B 31/00; A47B 2031/002; A47B 2031/003; A47B 2031/008; A47B 63/00; A47B 61/02; A47F

(71) Applicant: **Stor-Med Pty Ltd**, Orange (AU)

(72) Inventor: **David William Scott**, Orange (AU)

(Continued)

(73) Assignee: **Stor-Med Pty Ltd**

(56) **References Cited**

(**) Term: **15 Years**

U.S. PATENT DOCUMENTS

(21) Appl. No.: **29/681,029**

D240,585 S * 7/1976 Kaplan et al. D8/374
D263,914 S * 4/1982 Litchfield D8/374

(22) Filed: **Feb. 21, 2019**

(Continued)

(30) **Foreign Application Priority Data**

OTHER PUBLICATIONS

Aug. 21, 2018 (AU) 201814979

(51) **LOC (13) Cl.** **08-05**

(52) **U.S. Cl.**
USPC **D8/377**

(58) **Field of Classification Search**

USPC D6/300, 310, 320, 329, 512, 513, 514, D6/515, 545, 567, 574, 641, 642, 661, D6/662.1, 663-691, 694, 702, 705, 705.2, D6/705.4, 705.5, 705.6, 705.7, 706, D6/708.16, 712, 719, 672, 673, 674, 675, D6/675.1, 675.2, 675.3, 675.4, 675.5, D6/678, 678.1, 678.2, 678.3, 678.4, 690, D6/691.1; D7/300, 301, 302, 303, 304, D7/305, 306, 307, 308, 309, 310, 311, D7/312, 313, 314, 315, 316, 317, 318, D7/319, 320, 321, 322, 396.1, 552.2, 600, D7/600.1, 600.4, 701; D8/71, 354, 363, D8/373, 374, 377, 381, 394; D3/201, D3/297, 304, 306; D12/223, 412; D20/44; D21/686
CPC A47B 51/00; A47B 57/00; A47B 57/08; A47B 57/10; A47B 57/16; A47B 57/30; A47B 45/00; A47B 47/00; A47B 47/021; A47B 47/025; A47B 47/027; A47B 87/00; A47B 87/008; A47B 87/02; A47B 87/0207; A47B 43/00; A47B 43/03; A47B 43/04; A47B 88/00; A47B 88/40; A47B

Refrigerator Pan Slide, www.amazon.in [online]. Published on or before Aug. 6, 2020, [retrieved on Aug. 6, 2020], Retrieved from the Internet: <URL:https://www.amazon.in/Romalon-2223320-Refrigerator-Compatible-Whirlpool-AH869557/dp/B08397VK61> (Year: 2020).*

Primary Examiner — Christian P. McLean

Assistant Examiner — Adam C Mager

(74) *Attorney, Agent, or Firm* — Swidler Law Group, LLC; Sean S. Swidler

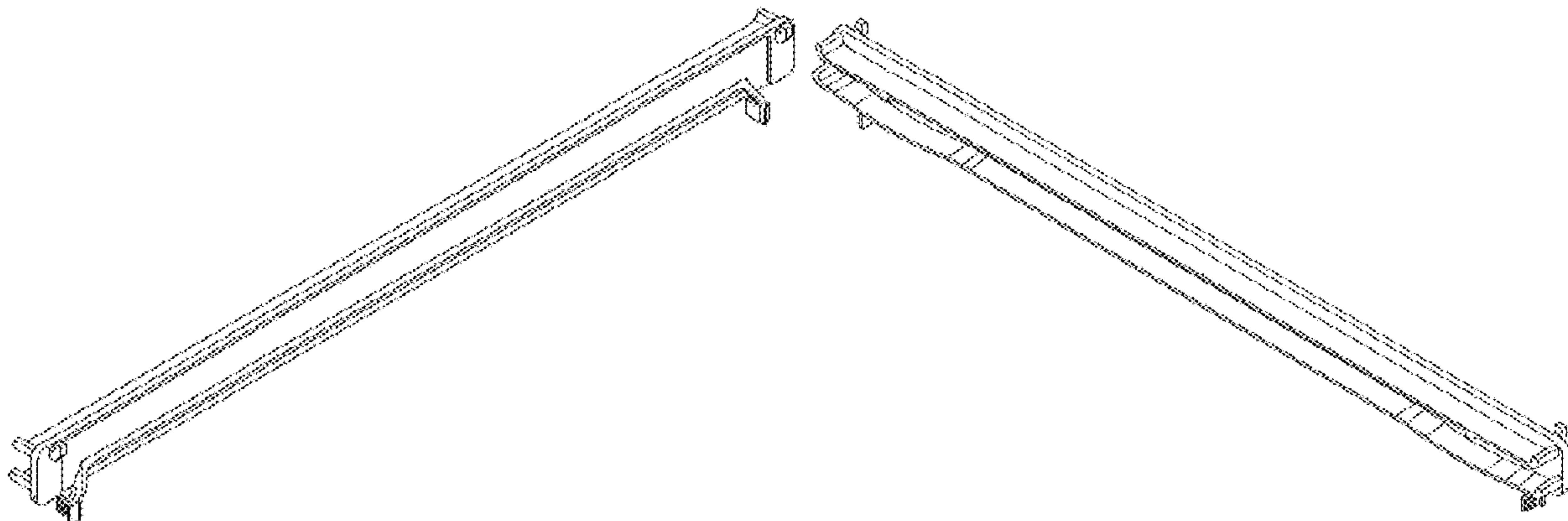
(57) **CLAIM**

The ornamental design of a runner for a storage rack, as shown and described.

DESCRIPTION

FIG. 1 is a front perspective view from one end of a runner for a storage rack;
FIG. 2 is a rear perspective view from the other end thereof;
FIG. 3 is a bottom view thereof;
FIG. 4 is a rear elevational view thereof;
FIG. 5 is a top view thereof;
FIG. 6 is a front elevational view thereof; and,
FIG. 7 is an enlarged end view thereof.
A second end view is not shown, but is a mirror image of the end view shown in FIG. 7.

1 Claim, 3 Drawing Sheets



(58) **Field of Classification Search**

CPC 1/00; A47F 1/04; A47F 1/12; A47F 3/00;
A47F 3/02; A47F 3/0439; A47F 5/00;
A47F 5/00; A47F 5/0018; A47F 5/0043;
A47F 10/02; F16B 2/065

See application file for complete search history.

(56) **References Cited**

U.S. PATENT DOCUMENTS

D264,292	S	*	5/1982	Litchfield	D8/374
D264,293	S	*	5/1982	Litchfield	D8/374
D264,660	S	*	6/1982	Rock	D6/705
D267,066	S	*	11/1982	Rock	D6/705
D600,948	S	*	9/2009	Glover	D6/705
D637,026	S	*	5/2011	Lin	D6/374
D716,090	S	*	10/2014	Schepens	D6/705.7
D767,311	S	*	9/2016	Hrovat	D6/705

* cited by examiner

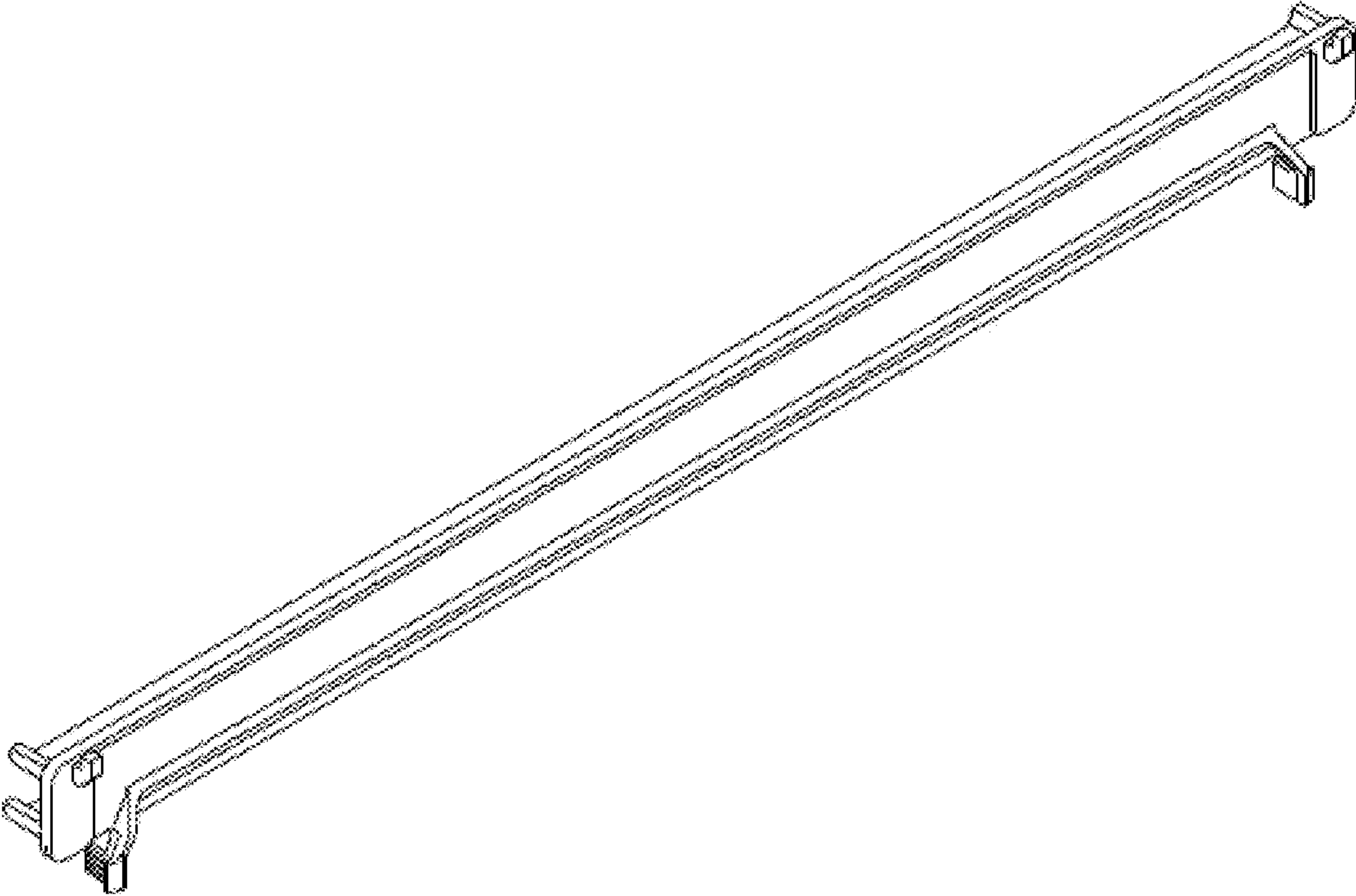


FIG 1

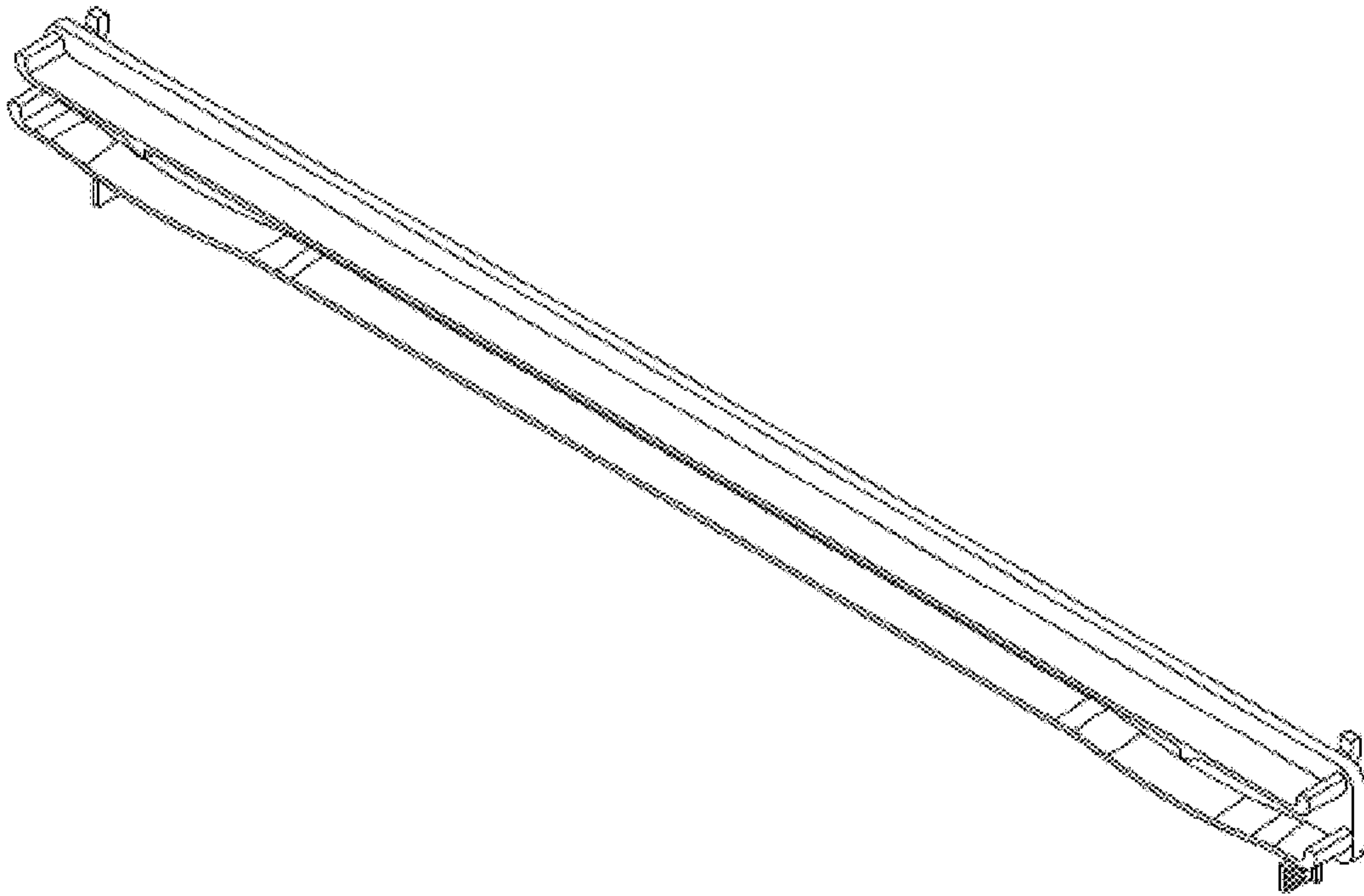


FIG 2

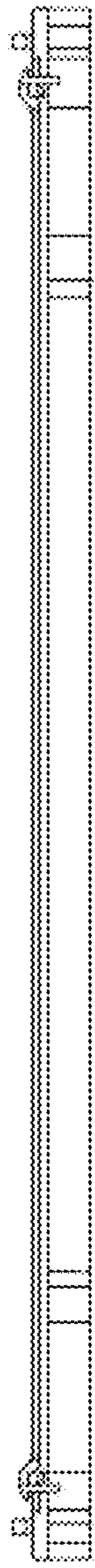


FIG 3

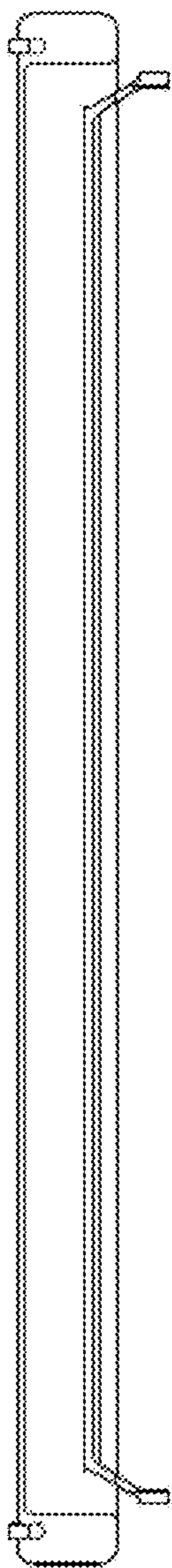


FIG 4

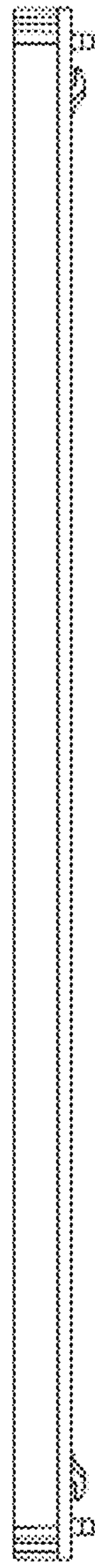


FIG 5

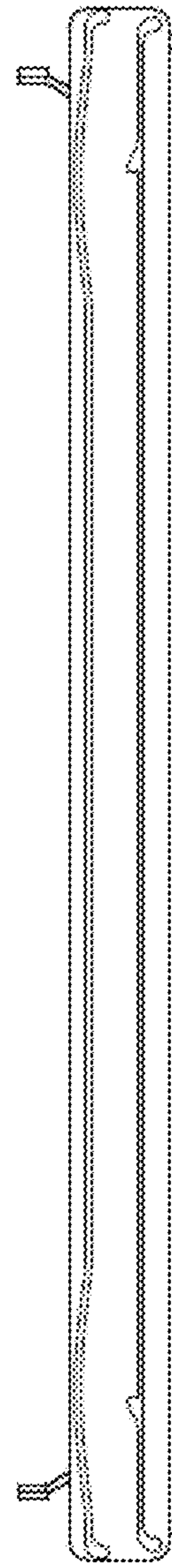


FIG 6

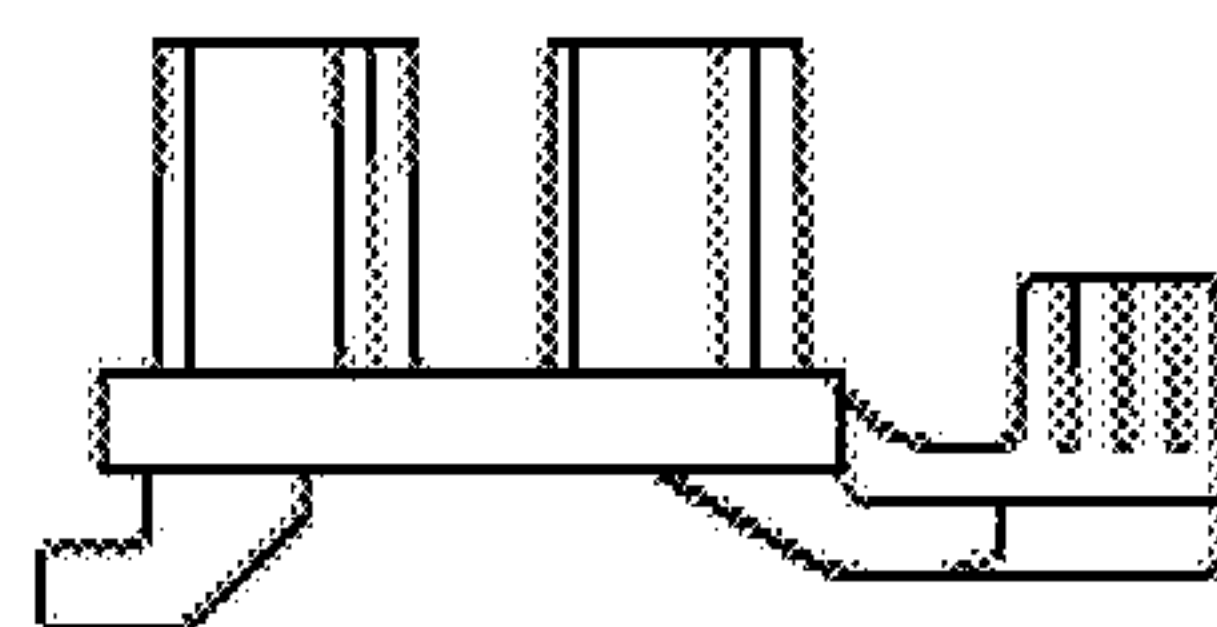


FIG 7