



US00D921477S

(12) **United States Design Patent**  
**O'Halloran**

(10) **Patent No.:** **US D921,477 S**

(45) **Date of Patent:** **\*\* Jun. 8, 2021**

(54) **BRACKET FOR A CLAMP STORAGE SYSTEM**

(71) Applicant: **Woodpeckers, LLC**, Strongsville, OH (US)

(72) Inventor: **Edward A. O'Halloran**, Elyria, OH (US)

(73) Assignee: **Woodpeckers, LLC**, Strongsville, OH (US)

(\*\*) Term: **15 Years**

(21) Appl. No.: **29/690,906**

(22) Filed: **May 13, 2019**

(51) **LOC (13) Cl.** ..... **08-05**

(52) **U.S. Cl.**  
USPC ..... **D8/373**

(58) **Field of Classification Search**  
USPC ..... D18/46, 47, 48, 49; D12/159, 223, 106;  
D8/71, 395, 382, 384, 349, 373;  
D14/224, 238, 253; D25/119-120, 125  
See application file for complete search history.

(56) **References Cited**

**U.S. PATENT DOCUMENTS**

D107,328 S	12/1937	Ullrich	
2,805,777 A	9/1957	Larson	
4,345,688 A	8/1982	De Boer	
D269,396 S *	6/1983	Bricker	D8/71
D297,111 S *	8/1988	Thompson	D8/373
D302,234 S *	7/1989	McNamee	D8/71
D337,042 S	7/1993	Lin et al.	
D339,971 S *	10/1993	Hatcher	D8/71
D367,001 S	2/1996	Bright	
D370,002 S *	5/1996	Miller	D12/223
5,515,969 A	5/1996	Schonenbach	
D376,751 S	12/1996	Hanson et al.	

D378,748 S *	4/1997	Miller	D12/223
D378,749 S *	4/1997	Miller	D12/223
D394,632 S *	5/1998	Miller	D12/223
5,836,131 A	11/1998	Viola et al.	
D422,483 S	4/2000	Shea	
D439,558 S	3/2001	Potter	
6,491,172 B2	12/2002	Chance et al.	
6,499,608 B1	12/2002	Sterling et al.	
D478,804 S	8/2003	Titus	
D483,656 S	12/2003	Shea	
6,702,128 B2	3/2004	Winig et al.	
D500,666 S	1/2005	Murphy et al.	
D502,387 S	3/2005	Hyakkoku	
D523,802 S *	6/2006	Reimitz	D12/223
D538,734 S *	3/2007	Reimitz	D12/223
D539,208 S *	3/2007	Reimitz	D12/223

(Continued)

*Primary Examiner* — Susan Bennett Hattan

*Assistant Examiner* — Elizabeth S Ko

(74) *Attorney, Agent, or Firm* — Sand, Sebolt & Wernow Co., LPA

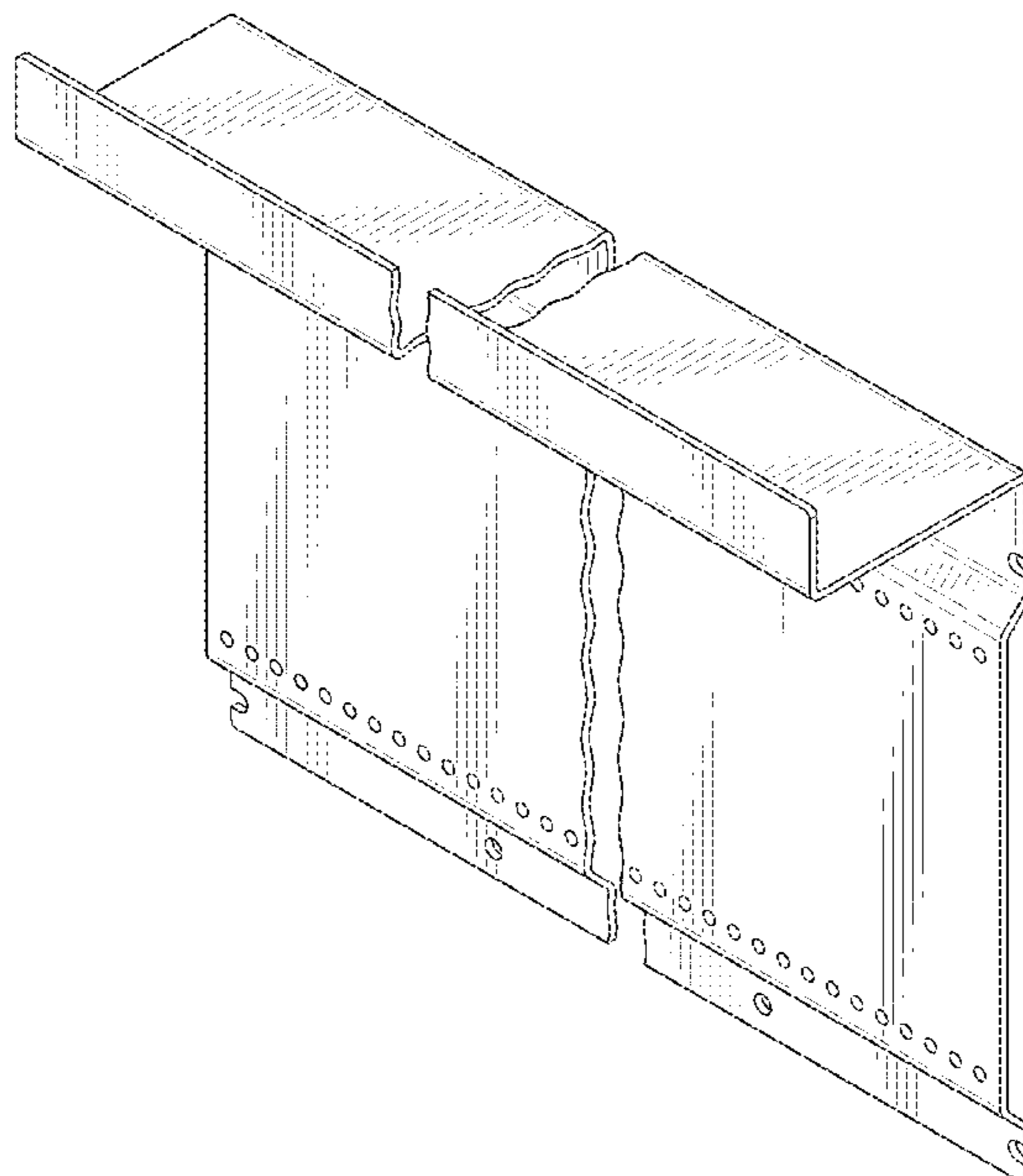
(57) **CLAIM**

The ornamental design for a bracket for a clamp storage system, as shown and described.

**DESCRIPTION**

FIG. 1 is a perspective view of a bracket for a clamp storage system in accordance with our design; FIG. 2 is a front elevation view thereof; FIG. 3 is a rear elevation view thereof; FIG. 4 is a top plan view thereof; FIG. 5 is a bottom plan view thereof; FIG. 6 is a first end elevation view thereof; and, FIG. 7 is a second end elevation view thereof. The claimed design is shown with a symbolic break in its length. The appearance of any portion of the article between the break lines forms no part of the claimed design.

**1 Claim, 5 Drawing Sheets**



(56)

References Cited

U.S. PATENT DOCUMENTS

7,228,977 B2 6/2007 Perkins et al.  
 7,484,310 B2 2/2009 Jeffers et al.  
 D594,313 S 6/2009 Clarke  
 D595,122 S 6/2009 Clarke  
 7,850,154 B2 12/2010 Feuge  
 7,882,965 B1 2/2011 Kao  
 D638,282 S 5/2011 Robinson  
 D646,955 S \* 10/2011 Sanders ..... D8/354  
 D647,386 S 10/2011 Pelini  
 D649,026 S 11/2011 Kong et al.  
 D654,063 S \* 2/2012 Sergi ..... D14/238  
 D658,043 S 4/2012 Burr  
 D665,656 S 8/2012 Anzelmo  
 D679,174 S 4/2013 Nowak  
 D682,069 S \* 5/2013 Lehane ..... D8/354  
 D702,860 S \* 4/2014 Rice ..... D25/119  
 D725,796 S \* 3/2015 Van Camp ..... D25/119  
 9,044,090 B2 6/2015 Drake et al.  
 D734,653 S 7/2015 Martin et al.  
 D735,170 S \* 7/2015 Colvin ..... D14/224  
 9,144,306 B2 9/2015 Kao

D760,578 S \* 7/2016 Sigona ..... D8/349  
 D764,075 S \* 8/2016 Honda ..... D25/119  
 D768,470 S 10/2016 Notumo  
 D770,962 S \* 11/2016 Badillo ..... D12/223  
 D782,707 S \* 3/2017 Krause ..... D25/119  
 9,597,792 B1 3/2017 Kao  
 D787,090 S \* 5/2017 Mowers ..... D25/119  
 D789,179 S 6/2017 Minkovich  
 D802,167 S \* 11/2017 Gyetvai ..... D25/119  
 9,808,128 B2 11/2017 Minkovich  
 D834,463 S 11/2018 Brunkhurst  
 D843,823 S 3/2019 Bouchard  
 D852,024 S \* 6/2019 LaPorta ..... D8/349  
 D853,377 S \* 7/2019 Crandon ..... D14/253  
 D854,399 S \* 7/2019 Winter ..... D8/349  
 D860,769 S \* 9/2019 Wokutch ..... D8/380  
 D879,167 S \* 3/2020 Winans ..... D15/130  
 D899,911 S \* 10/2020 O'Halloran ..... D8/382  
 D899,912 S \* 10/2020 O'Halloran ..... D8/382  
 D902,693 S \* 11/2020 Freeman ..... D8/349  
 D902,786 S \* 11/2020 Johnson ..... D12/106  
 2005/0082730 A1 4/2005 Murray et al.  
 2007/0216078 A1 9/2007 Jaffers et al.  
 2020/0359789 A1 \* 11/2020 O'Halloran ..... A47B 47/0058

\* cited by examiner

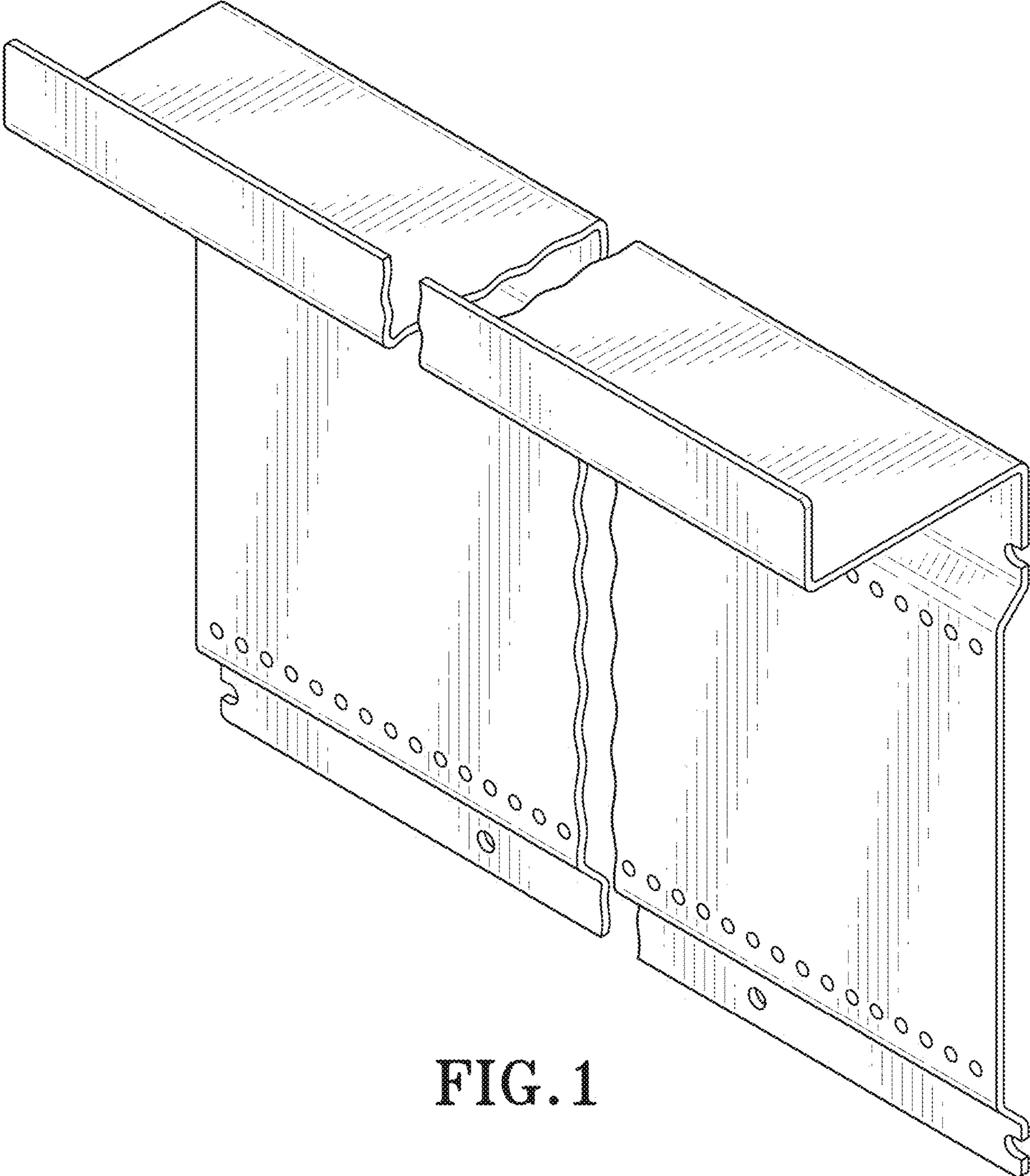


FIG. 1

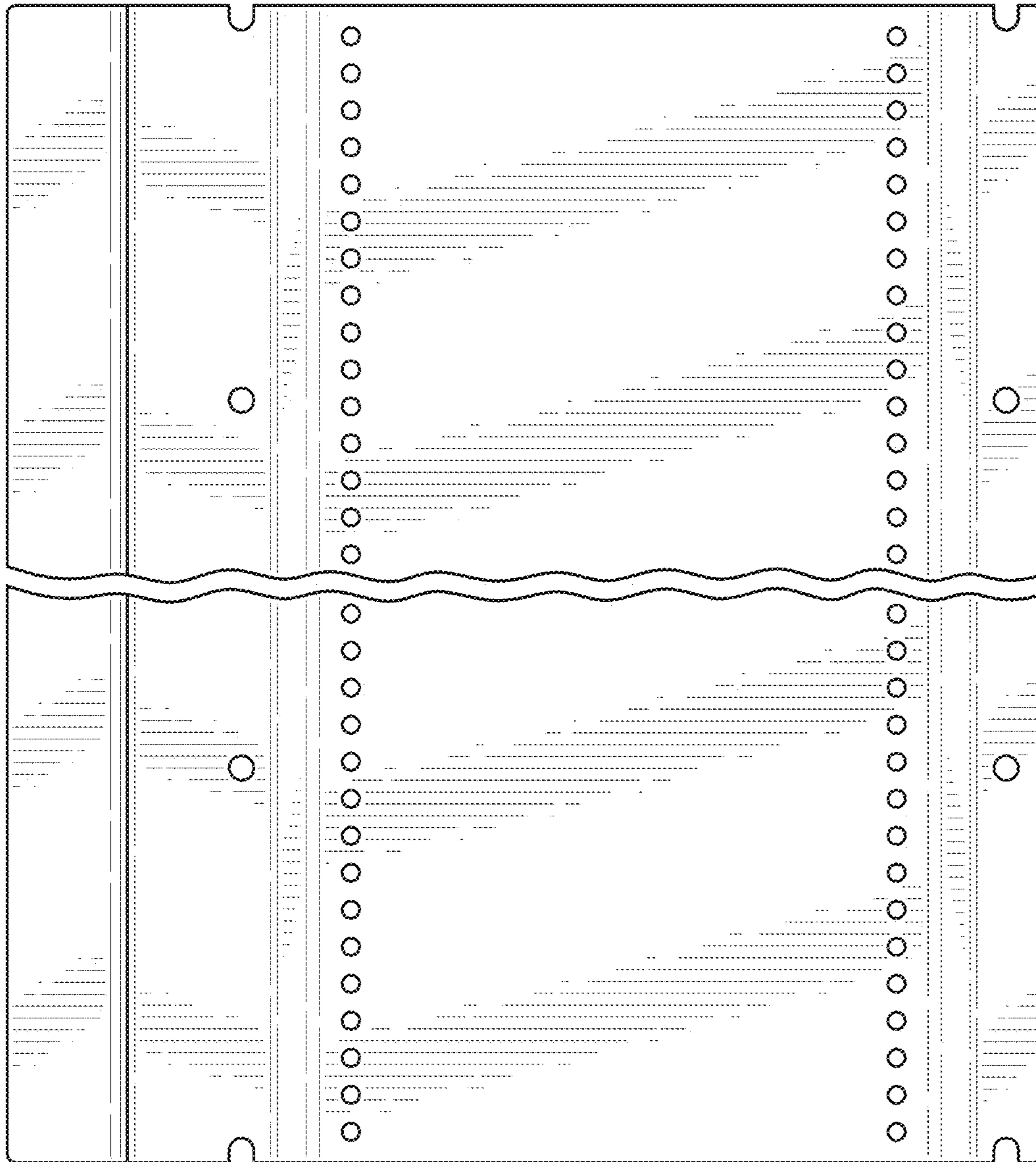


FIG. 2

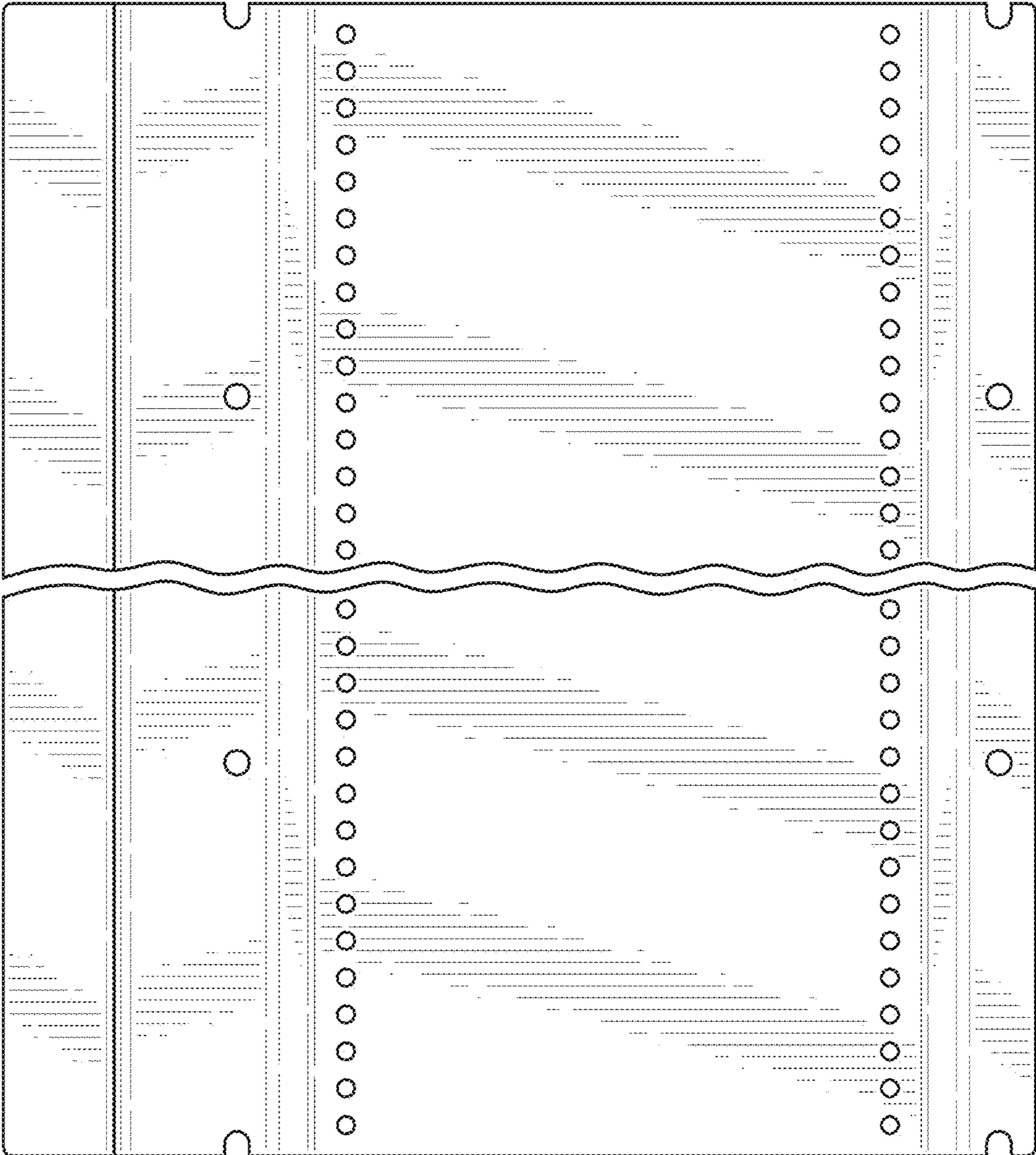


FIG. 3

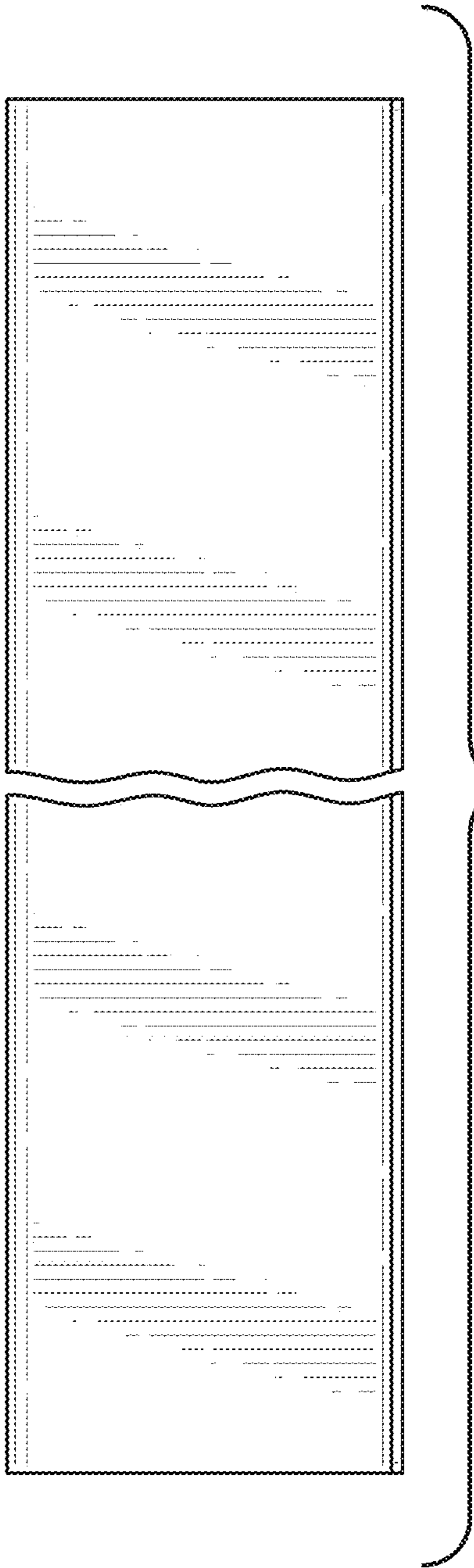


FIG. 4

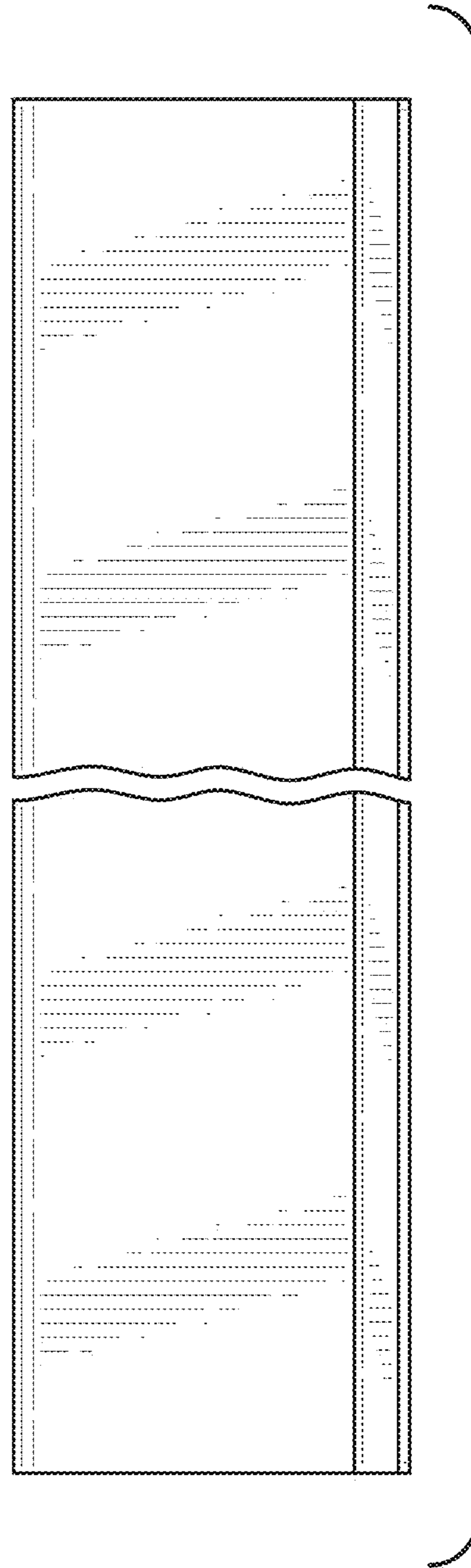


FIG. 5

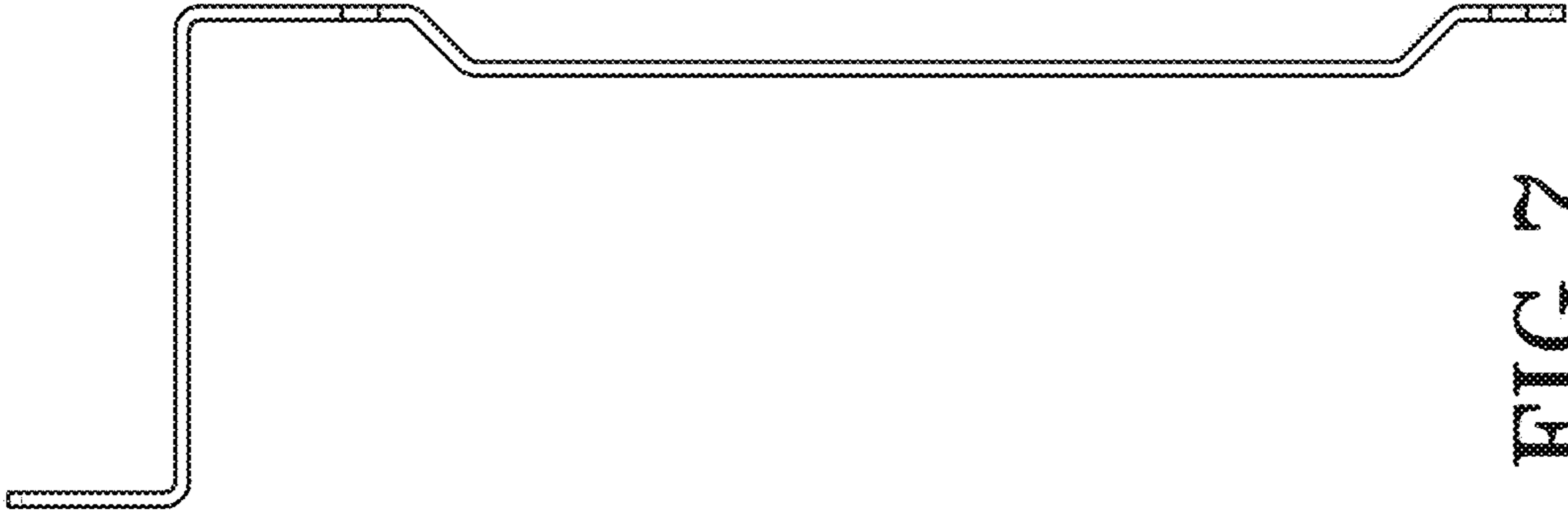


FIG. 7



FIG. 6