



US00D921475S

(12) **United States Design Patent**
Shah et al.

(10) **Patent No.:** **US D921,475 S**
(45) **Date of Patent:** **** Jun. 8, 2021**

(54) **SET OF RADIUS GUIDES FOR A ROLLER SHUTTER DOOR**

(74) *Attorney, Agent, or Firm* — Steven M. Greenberg, Esq.; Shutts & Bowen LLP

(71) Applicant: **INNOMOTIVE SOLUTIONS GROUP INC.**, Burlington (CA)

(57) **CLAIM**

(72) Inventors: **Jaimin Shah**, Brampton (CA); **Bruce Whitehouse**, Milton (CA)

The ornamental design for a set of radius guides for a roller shutter door, as shown and described.

(73) Assignee: **INNOMOTIVE SOLUTIONS GROUP INC.**, Burlington (CA)

DESCRIPTION

(**) Term: **15 Years**

(21) Appl. No.: **29/628,858**

(22) Filed: **Dec. 7, 2017**

(51) **LOC (13) Cl.** **08-05**

(52) **U.S. Cl.**
USPC **D8/354**

(58) **Field of Classification Search**
USPC D8/354, 400, 499, 349, 363, 366;
D6/580, 572, 570, 571; D25/124
CPC E06B 9/58; E06B 9/15; E06B 9/17
See application file for complete search history.

FIG. 1 is a top front perspective view of an exemplary left side radius guide for a roller shutter door;
FIG. 2 is a left side elevation view of the radius guide of FIG. 1;
FIG. 3 is a front elevation view of the radius guide of FIG. 1;
FIG. 4 is a right side elevation view of the radius guide of FIG. 1;
FIG. 5 is a rear elevation view of the radius guide of FIG. 1;
FIG. 6 is a top plan view of the radius guide of FIG. 1;
FIG. 7 is a bottom plan view of the radius guide of FIG. 1;
FIG. 8 is a top front perspective view of an exemplary right side radius guide for a roller shutter door;
FIG. 9 is a left side elevation view of the radius guide of FIG. 8;
FIG. 10 is a front elevation view of the radius guide of FIG. 8;
FIG. 11 is a right side elevation view of the radius guide of FIG. 8;
FIG. 12 is a rear elevation view of the radius guide of FIG. 8;
FIG. 13 is a top plan view of the radius guide of FIG. 8; and, FIG. 14 is a bottom plan view of the radius guide of FIG. 8.
This design is directed to a set of radius guides for a roller shutter door. Any broken lines show unclaimed subject matter only and form no part of the claimed design.

(56) **References Cited**

U.S. PATENT DOCUMENTS

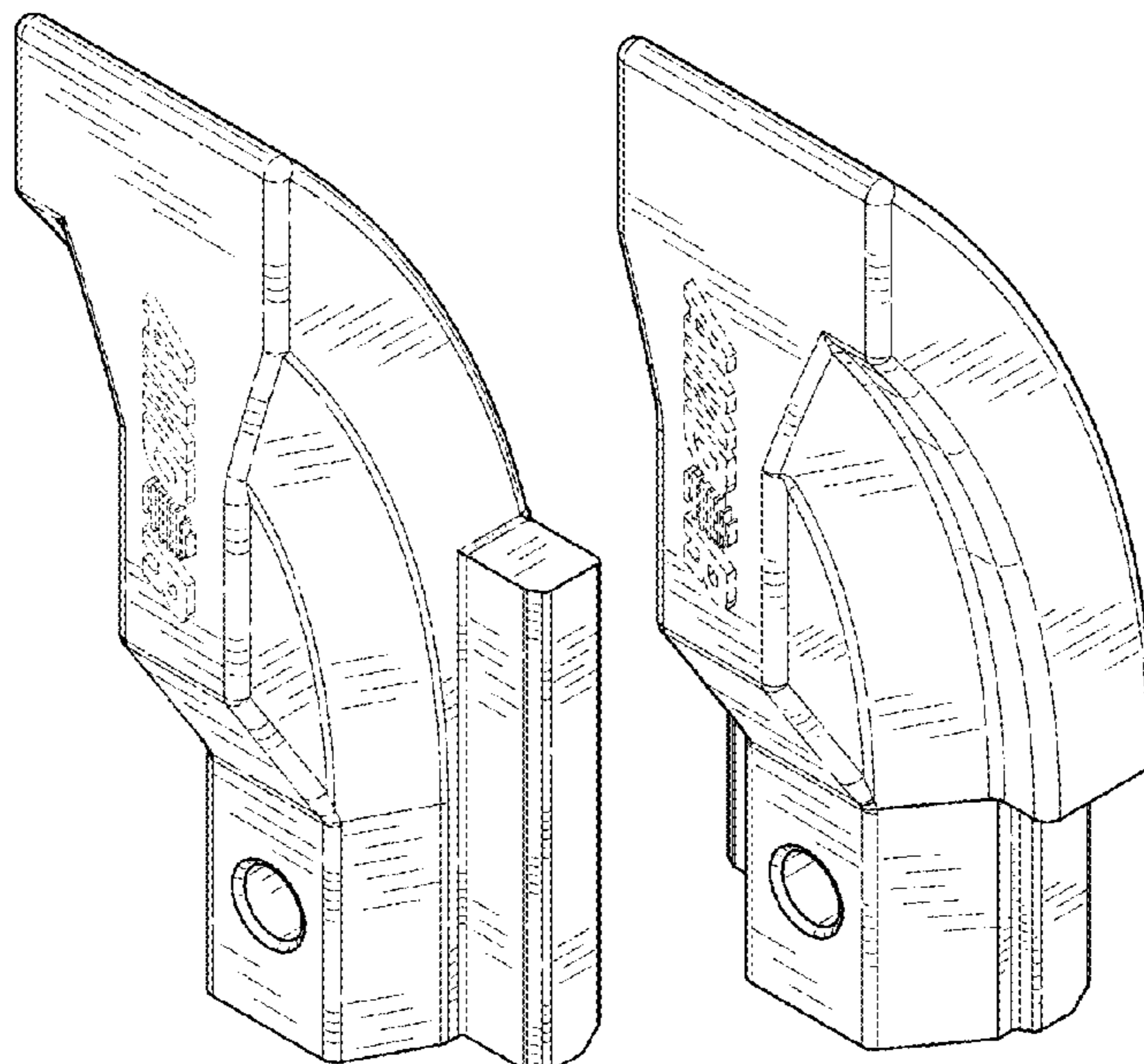
D315,490 S *	3/1991	McAfee	D8/354
D588,441 S *	3/2009	Clarke	D8/354
D594,312 S *	6/2009	Clarke	D8/354
D789,775 S *	6/2017	Candler	D8/354
9,915,094 B2 *	3/2018	Frede	E06B 9/60
D852,613 S *	7/2019	Kellum, III	D8/400
2019/0178032 A1 *	6/2019	McNabb	E06B 9/17076

* cited by examiner

Primary Examiner — Keli L Hill

Assistant Examiner — Harold E Blackwell, II

1 Claim, 6 Drawing Sheets



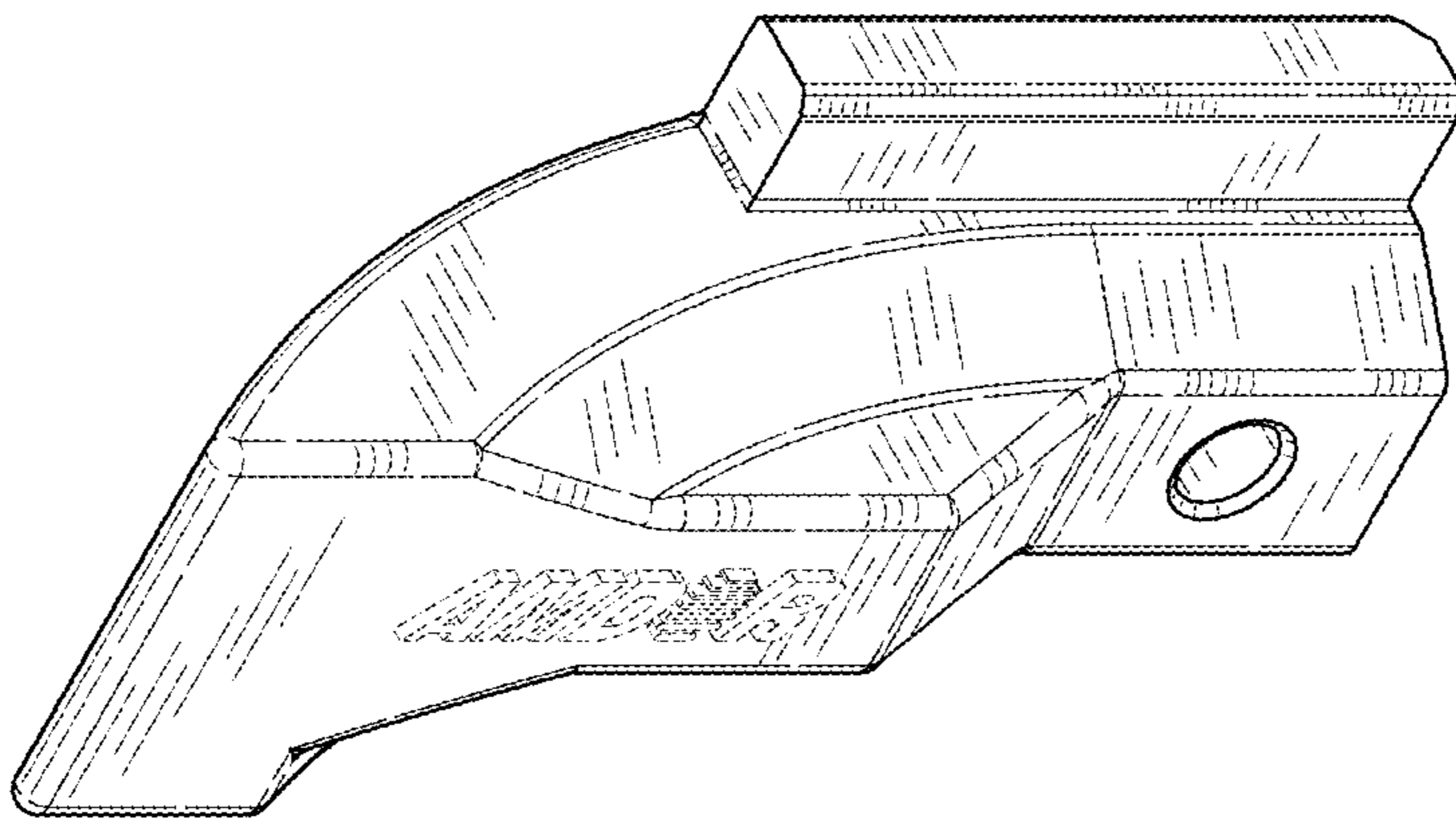


FIG. 1

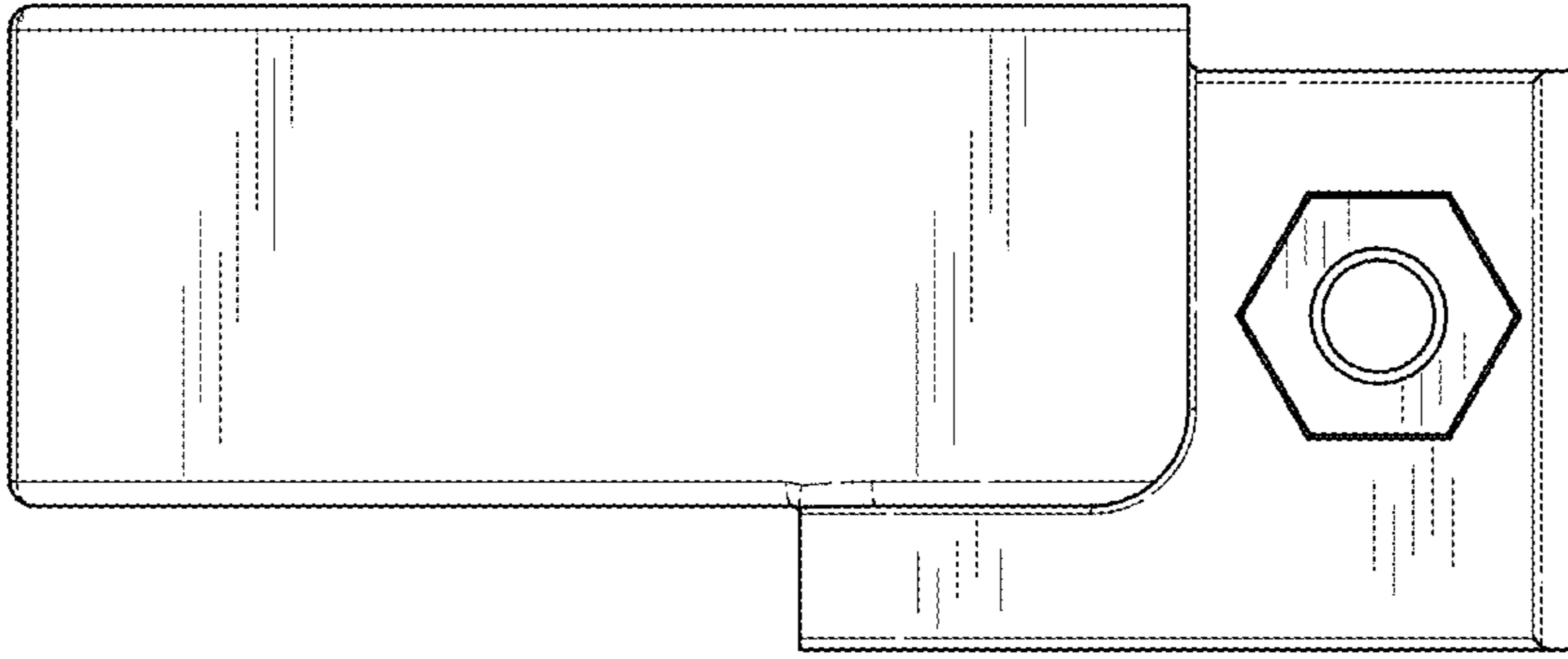


FIG. 5

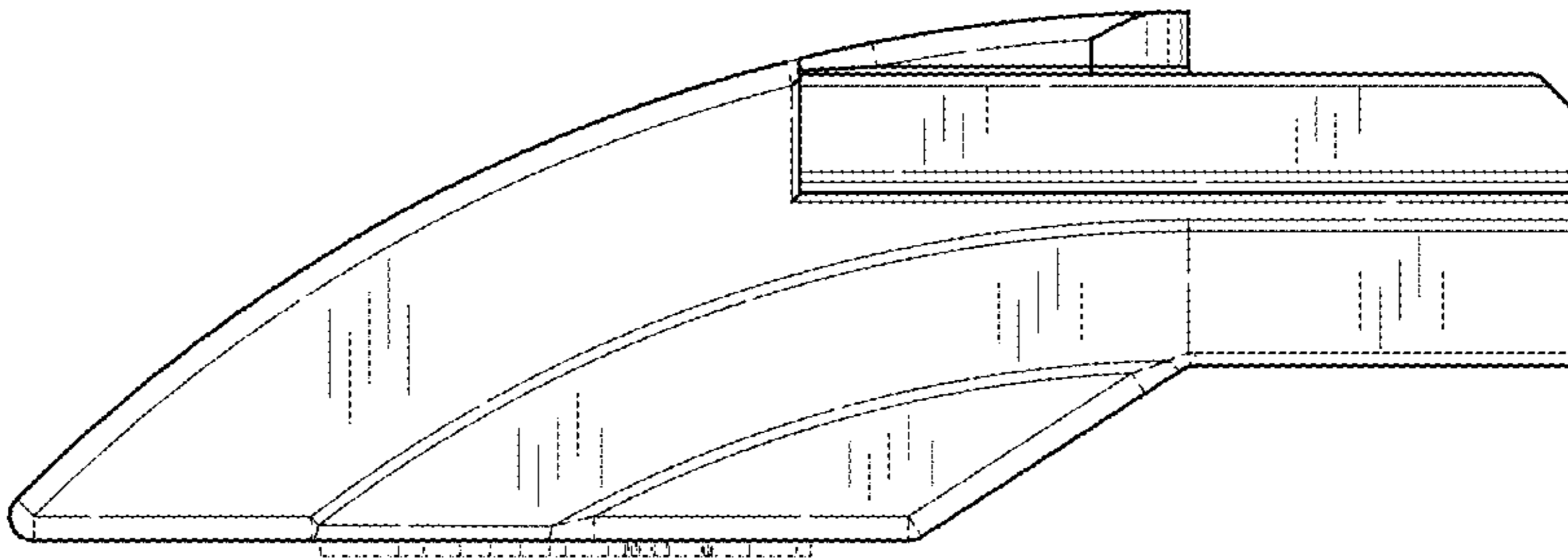


FIG. 4

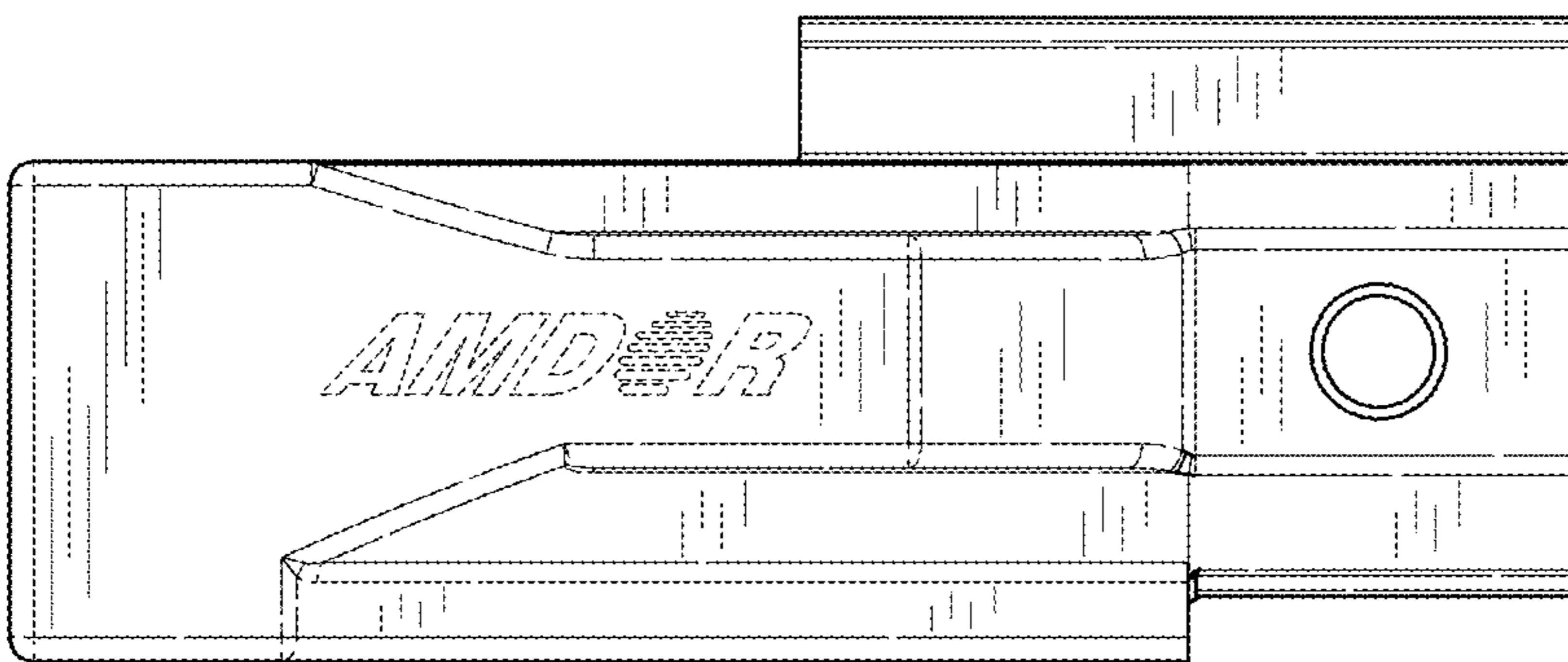


FIG. 3

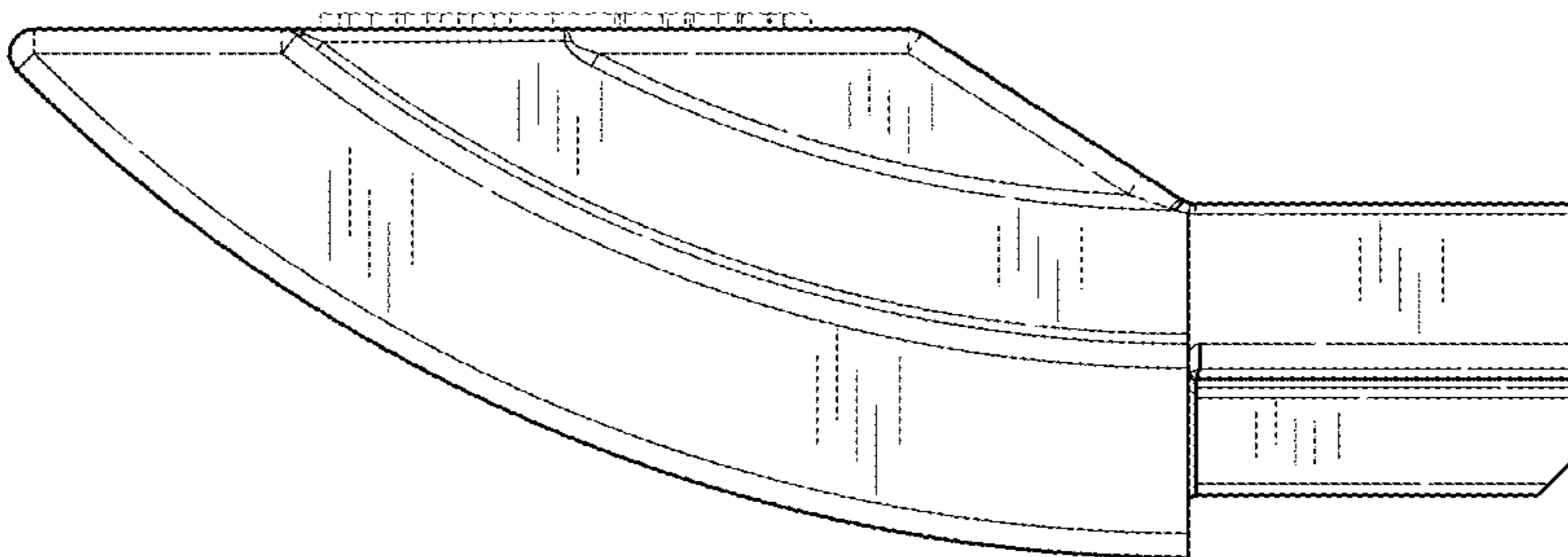


FIG. 2

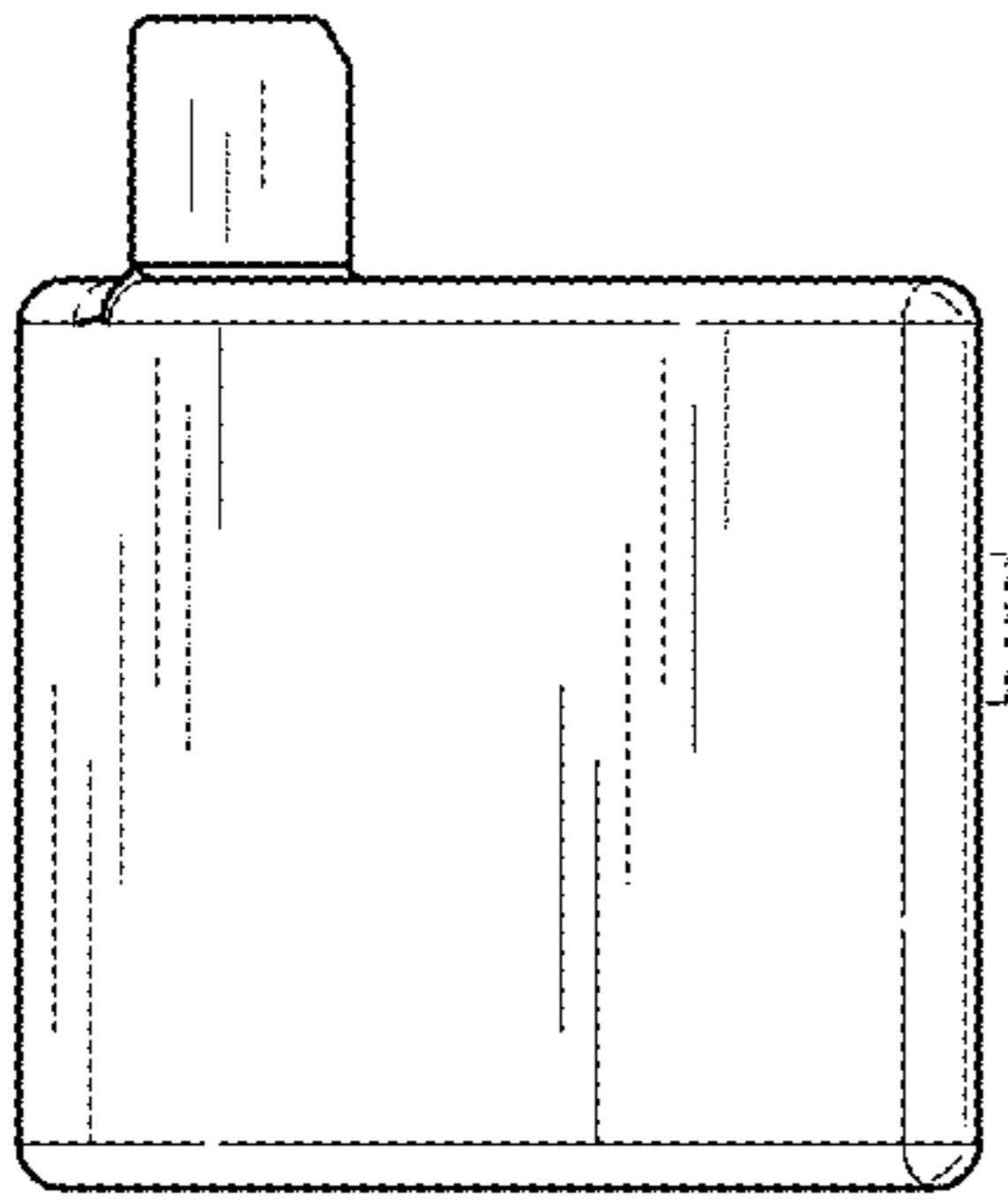


FIG. 6

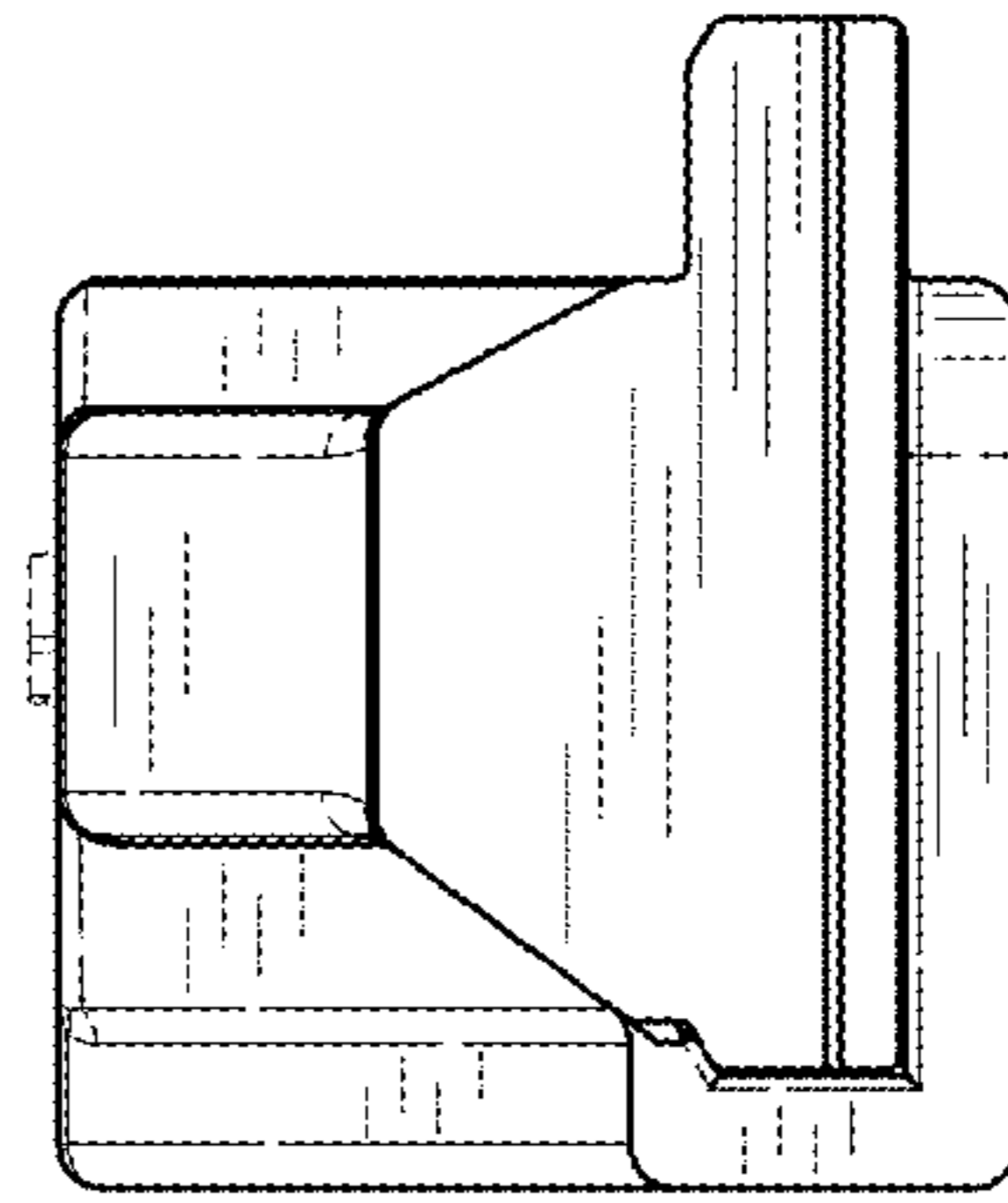


FIG. 7

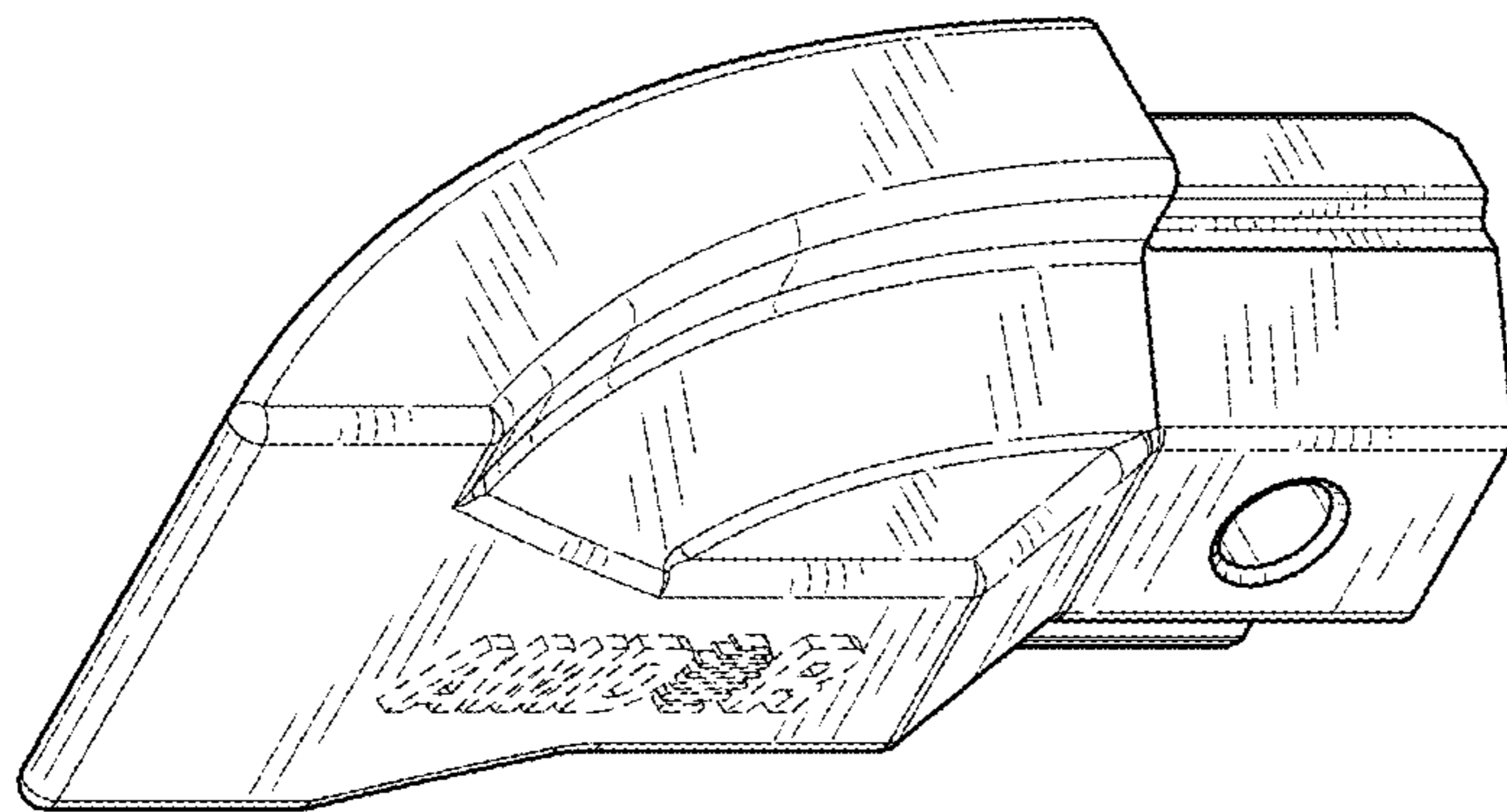


FIG. 8

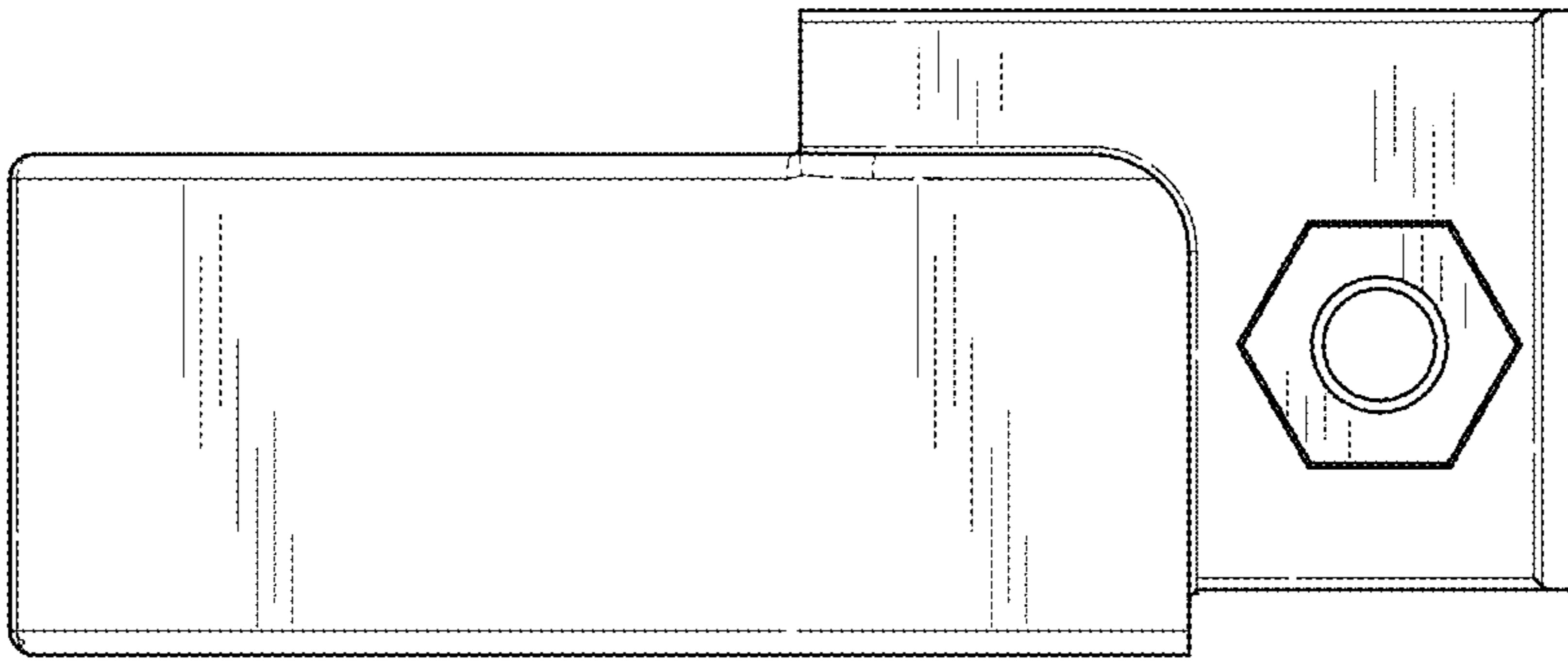


FIG. 9

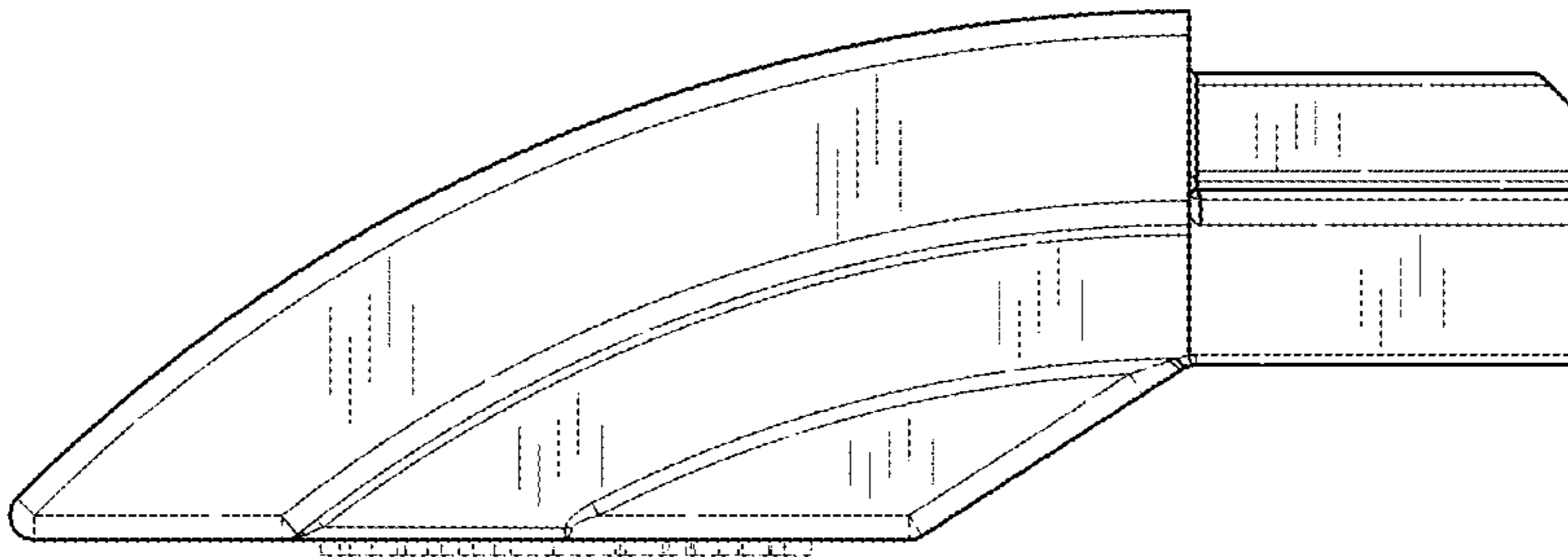


FIG. 10

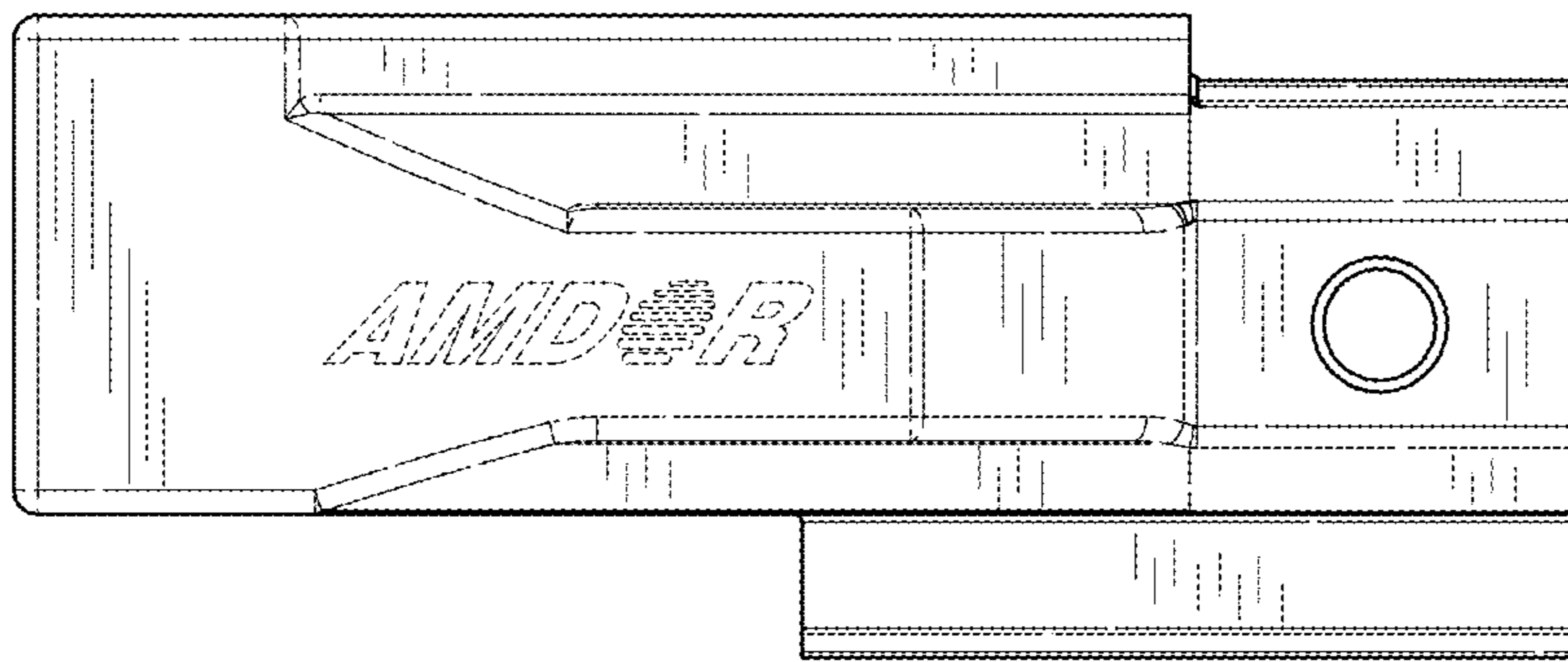


FIG. 11

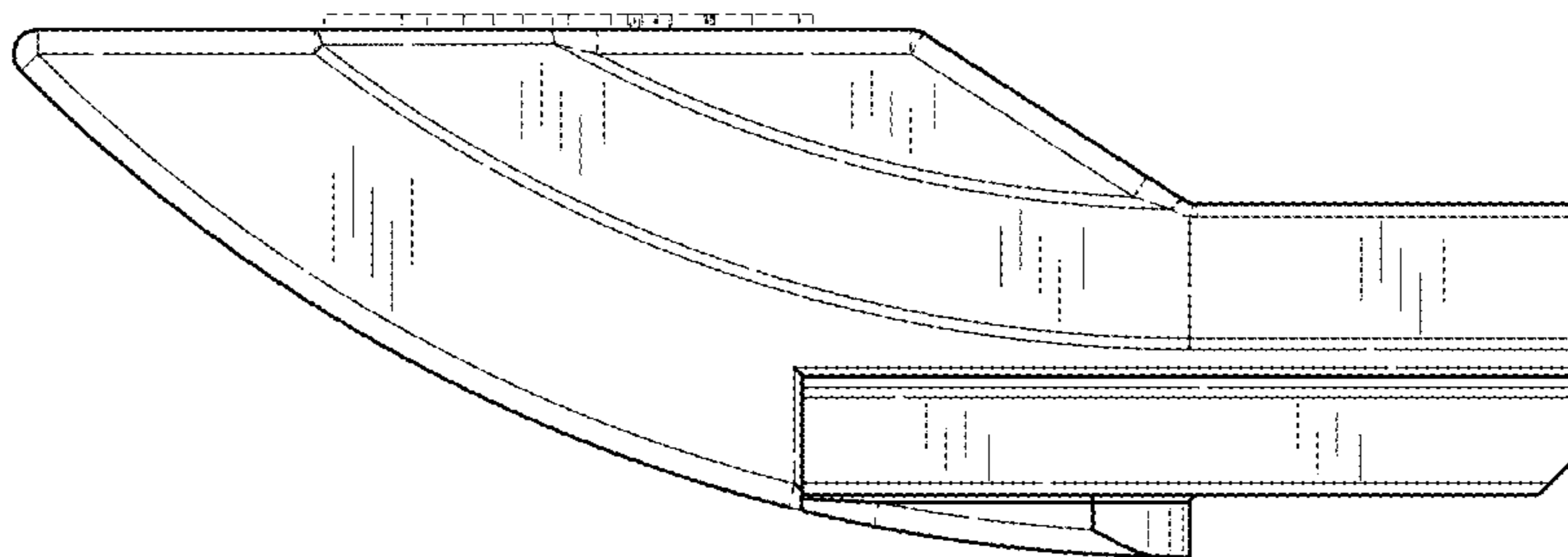


FIG. 12

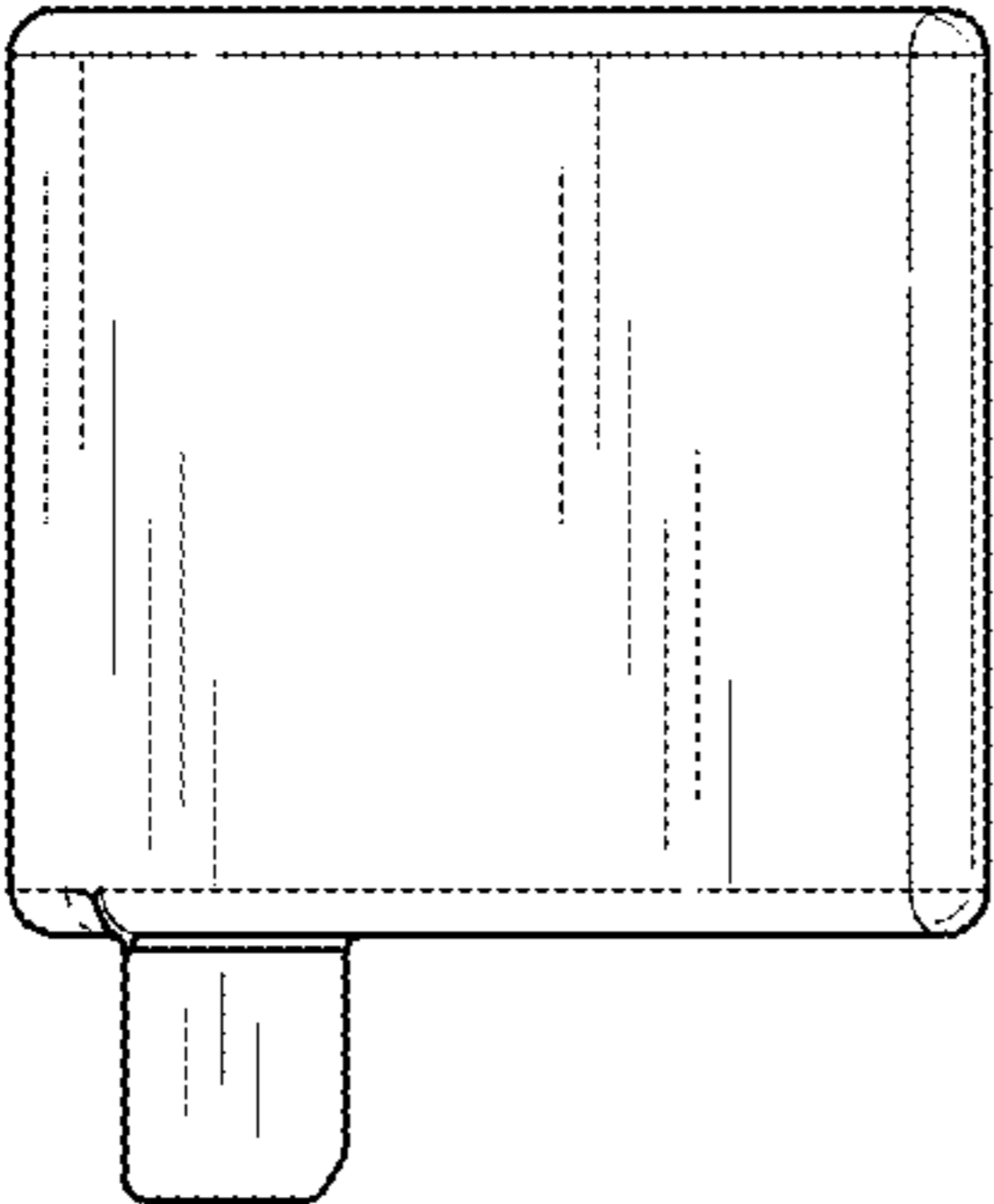


FIG. 13

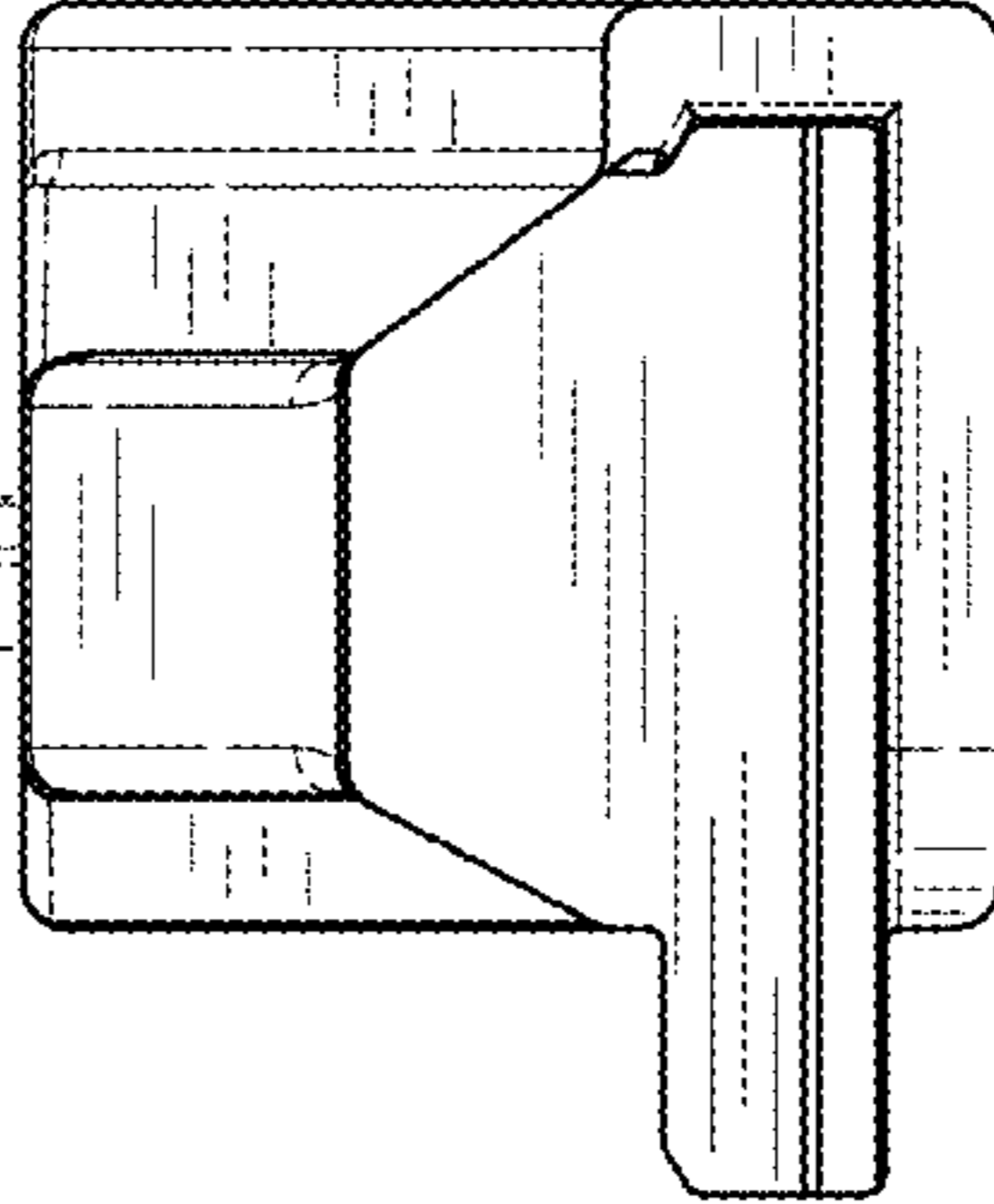


FIG. 14