



US00D921474S

(12) **United States Design Patent** (10) **Patent No.:** **US D921,474 S**
Borst (45) **Date of Patent:** **** Jun. 8, 2021**

(54) **UNIVERSAL BASE**
(71) Applicant: **Tom Borst**, Clayton, CA (US)
(72) Inventor: **Tom Borst**, Clayton, CA (US)
(**) Term: **15 Years**
(21) Appl. No.: **29/729,775**
(22) Filed: **Mar. 30, 2020**
(51) **LOC (13) Cl.** **08-08**
(52) **U.S. Cl.**
USPC **D8/349**
(58) **Field of Classification Search**
USPC D8/14, 71, 72, 354, 355, 371, 380, 381,
D8/382, 394, 396, 499
CPC F16B 2/12; F16B 2/065; F16B 7/00; F16B
7/04; F16B 7/0446; F16B 7/0486; F16L
3/02; F16L 3/10; F16L 3/1016; F16L
3/1091; F16M 13/022; H01Q 1/12; H01Q
1/1207; H01Q 1/1228; H01Q 1/125;
B64D 27/26
See application file for complete search history.

(56) **References Cited**
U.S. PATENT DOCUMENTS
3,013,821 A * 12/1961 Bogan F16L 23/08
285/407
D386,387 S * 11/1997 Rausch D8/349
D570,206 S * 6/2008 Jackson D8/396
D714,629 S * 10/2014 Irgens D8/394

D714,630 S * 10/2014 Irgens D8/394
D750,467 S * 3/2016 Hill D8/354
9,843,849 B1 * 12/2017 Lasnier de Lavalette
H04R 1/025
D826,906 S * 8/2018 Lasnier de Lavalette ... D14/224
D830,160 S * 10/2018 Kogon D8/396
D900,592 S * 11/2020 West D8/349
D911,155 S * 2/2021 Kondo D8/382
2003/0019983 A1 * 1/2003 Iinuma B60R 11/0217
248/200
2014/0097611 A1 * 4/2014 Webb F16L 23/003
285/13

* cited by examiner

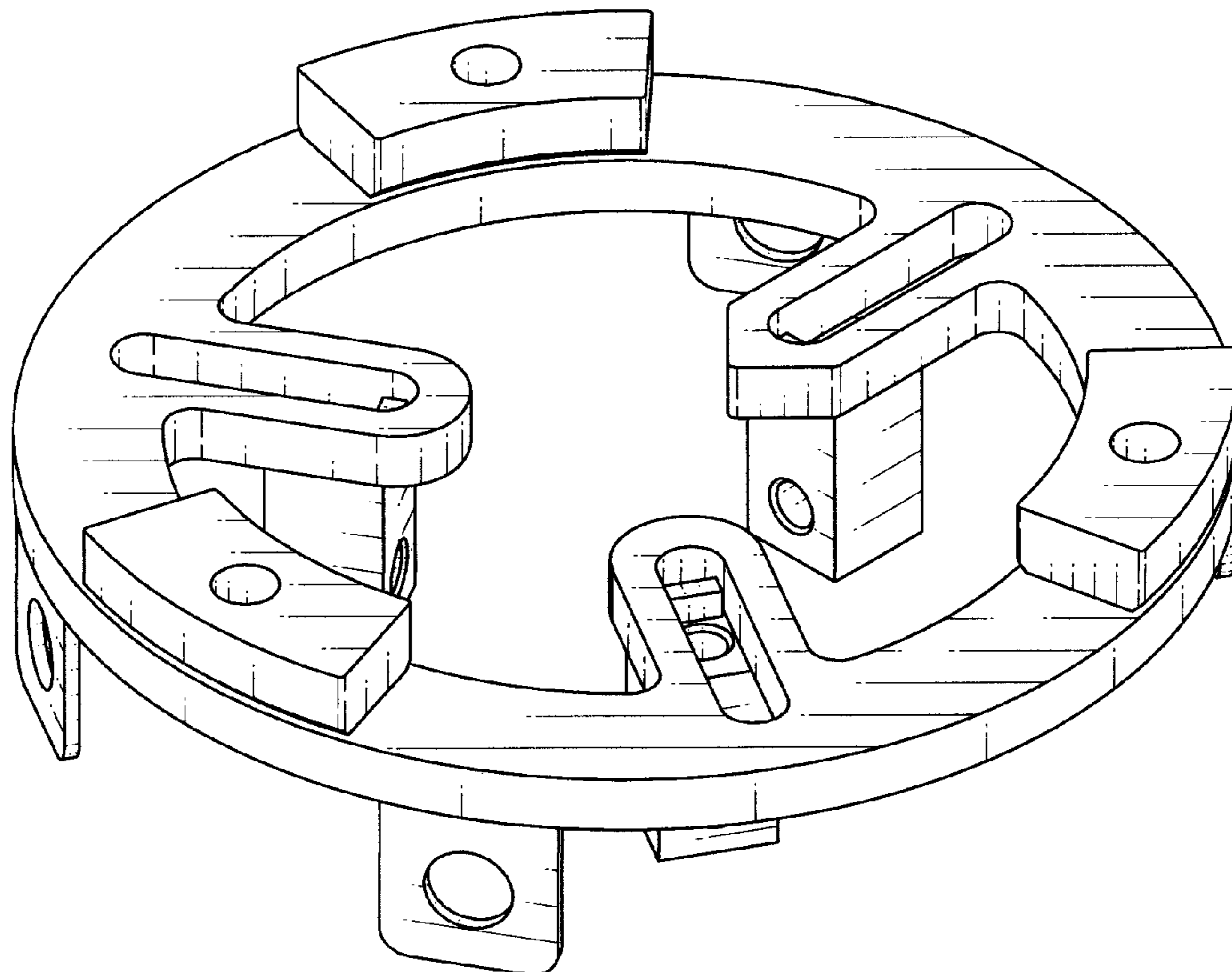
Primary Examiner — Mark A Goodwin
Assistant Examiner — Benjamin M Weeks
(74) *Attorney, Agent, or Firm* — James E. Brunton

(57) **CLAIM**
The ornamental design for a universal base, as shown.

DESCRIPTION

FIG. 1 is a perspective top view of a universal base showing the new design;
FIG. 2 is a front view of a universal base showing the new design;
FIG. 3 is a rear view thereof;
FIG. 4 is a left side view thereof;
FIG. 5 is a right side view thereof;
FIG. 6 is a top view thereof;
FIG. 7 is a bottom view thereof; and,
FIG. 8 is a perspective bottom view thereof.

1 Claim, 5 Drawing Sheets



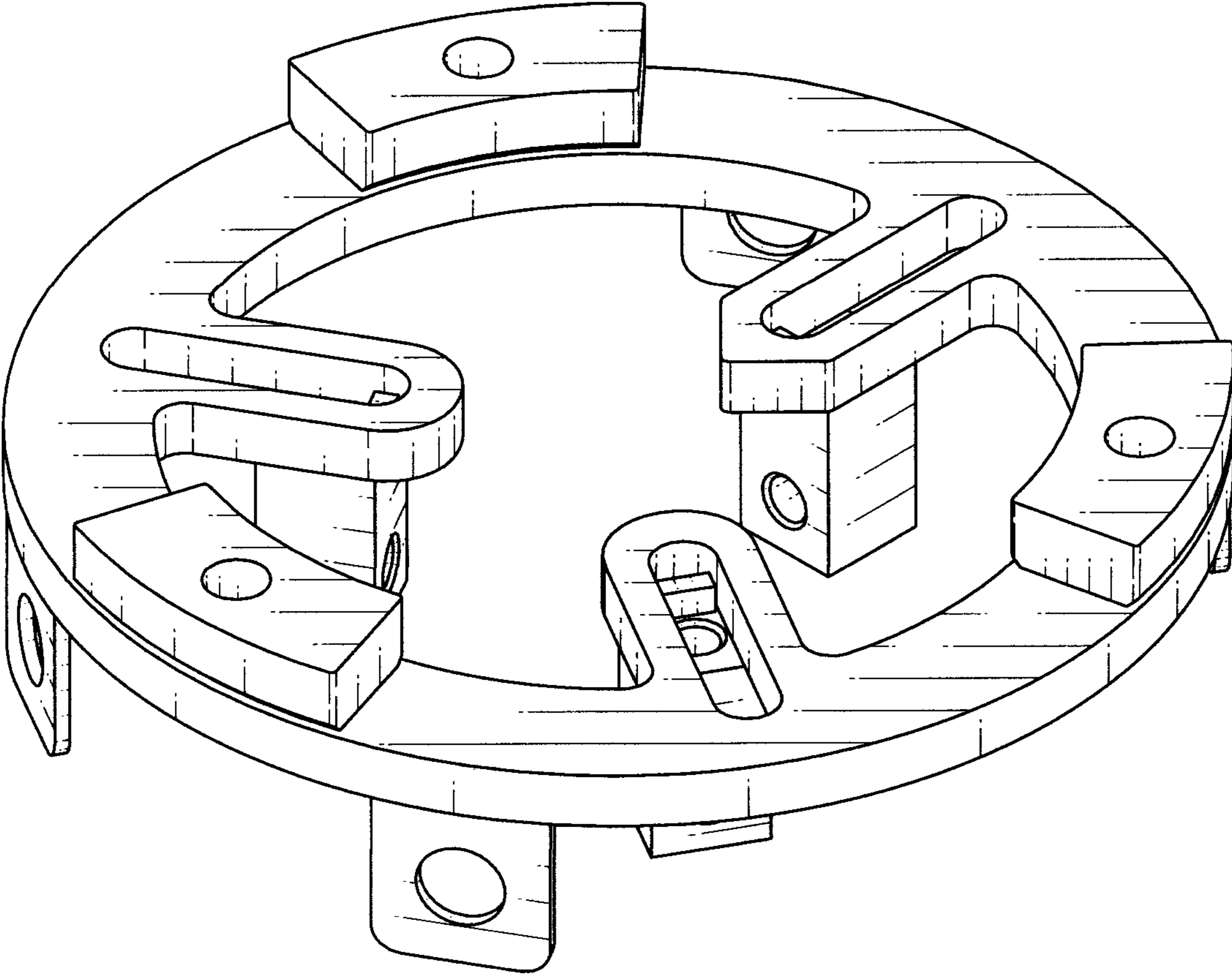


FIG. 1

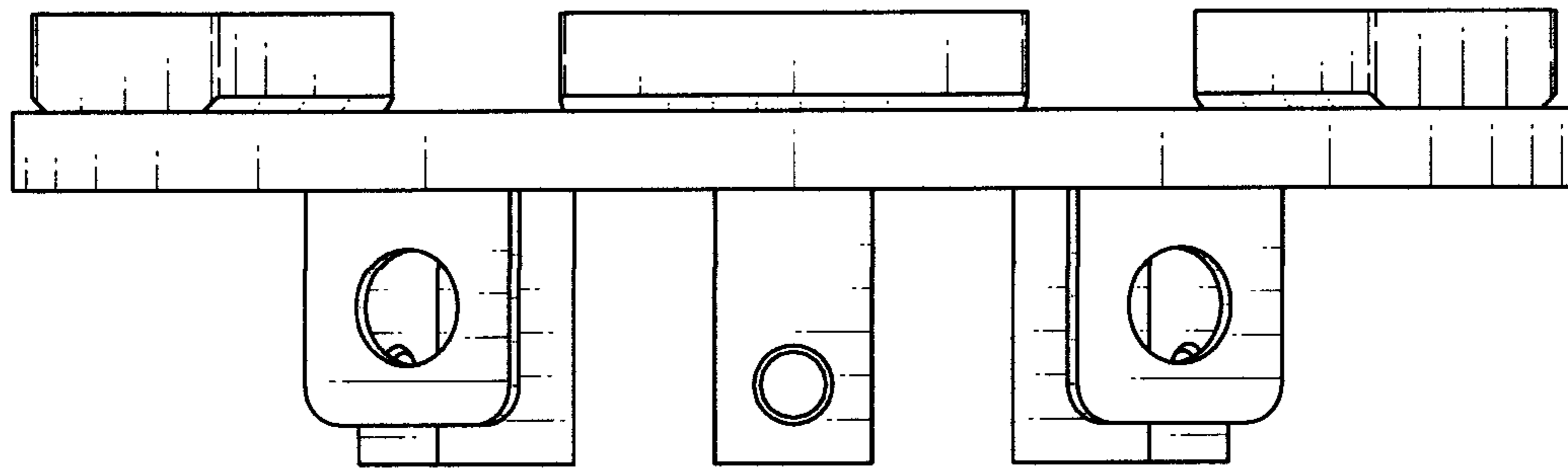


FIG. 2

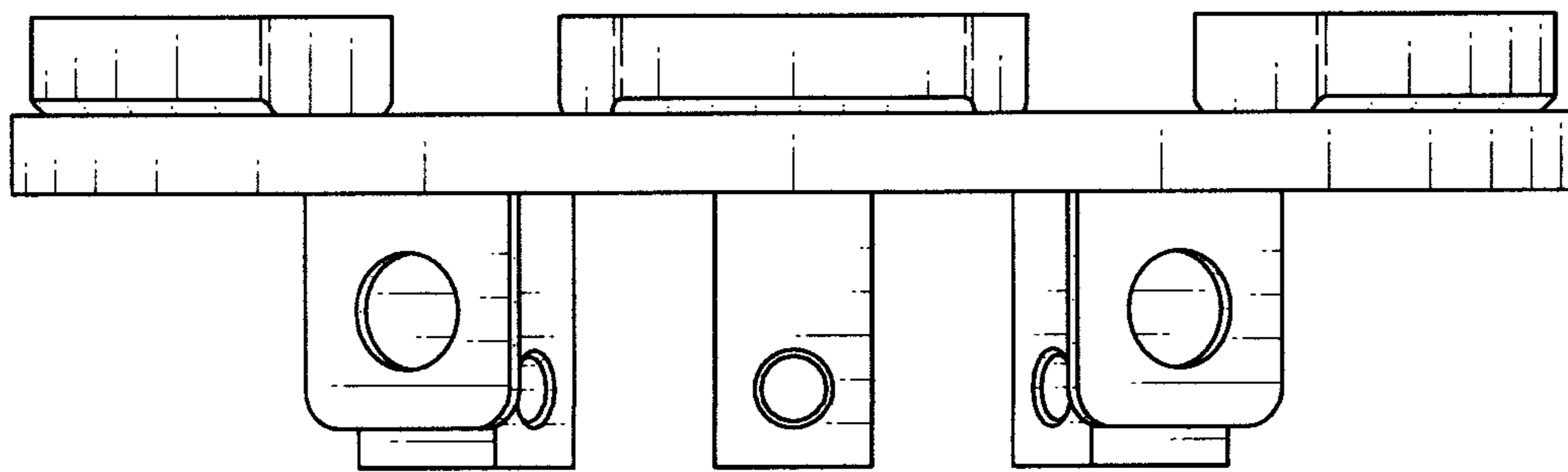


FIG. 3

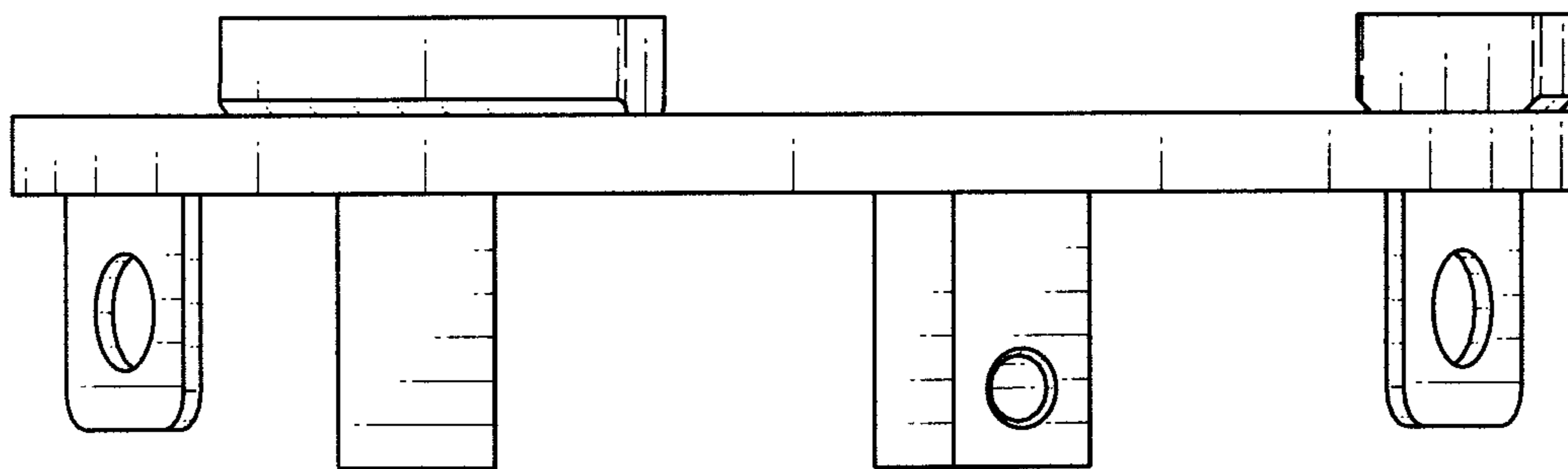


FIG. 4

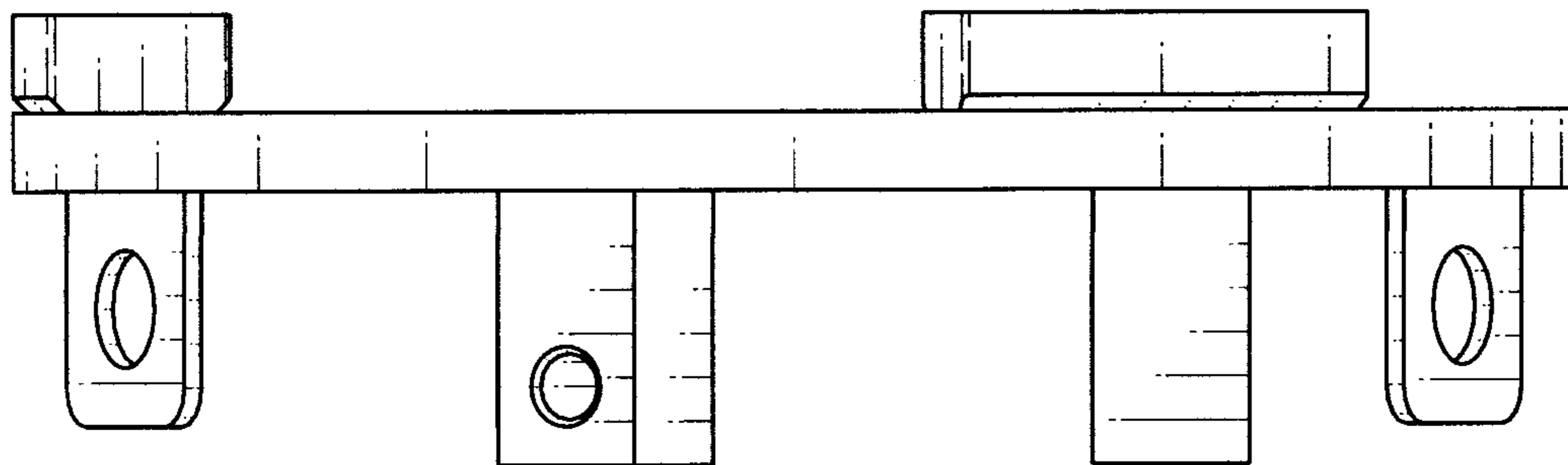


FIG. 5

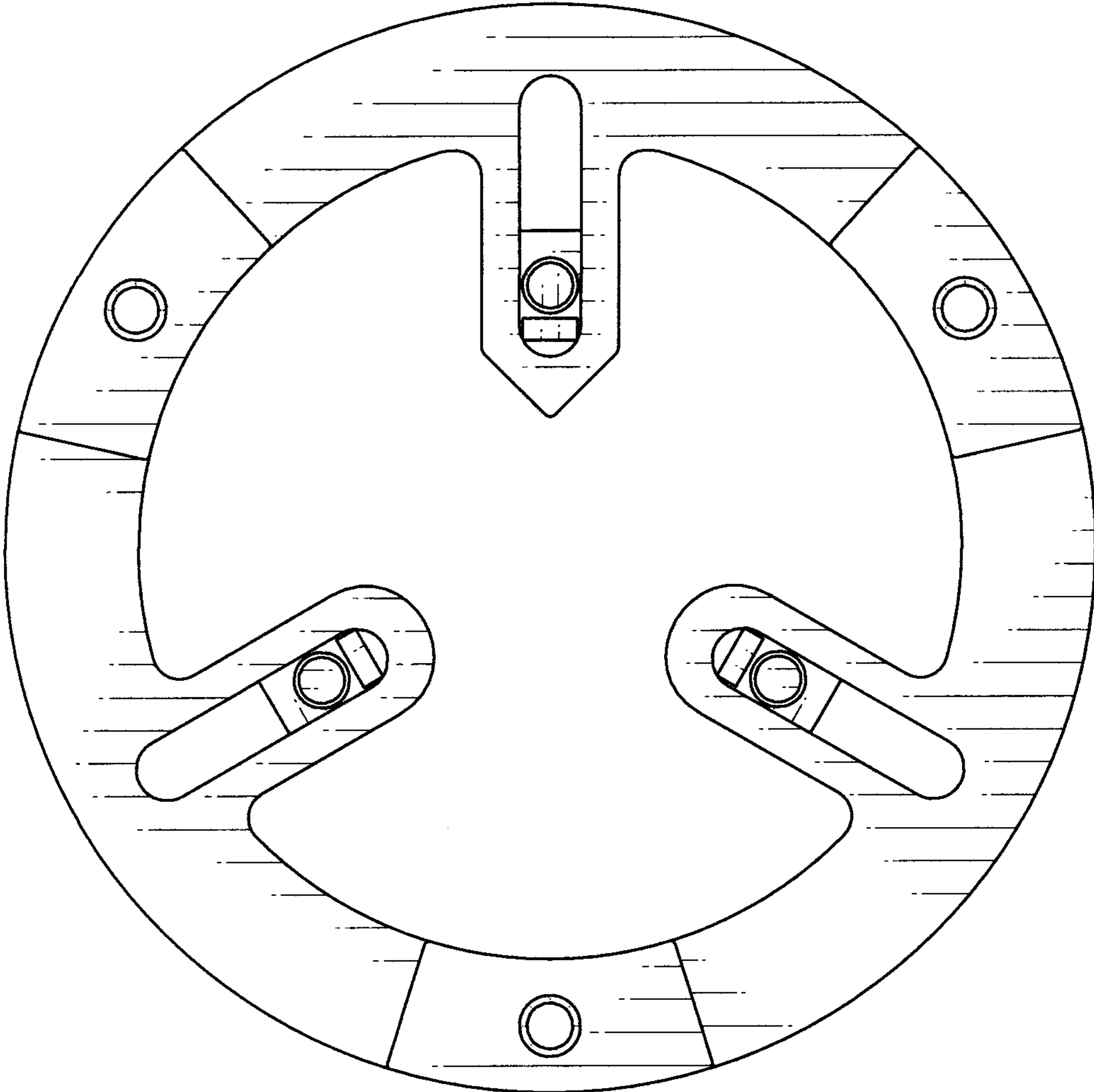


FIG. 6

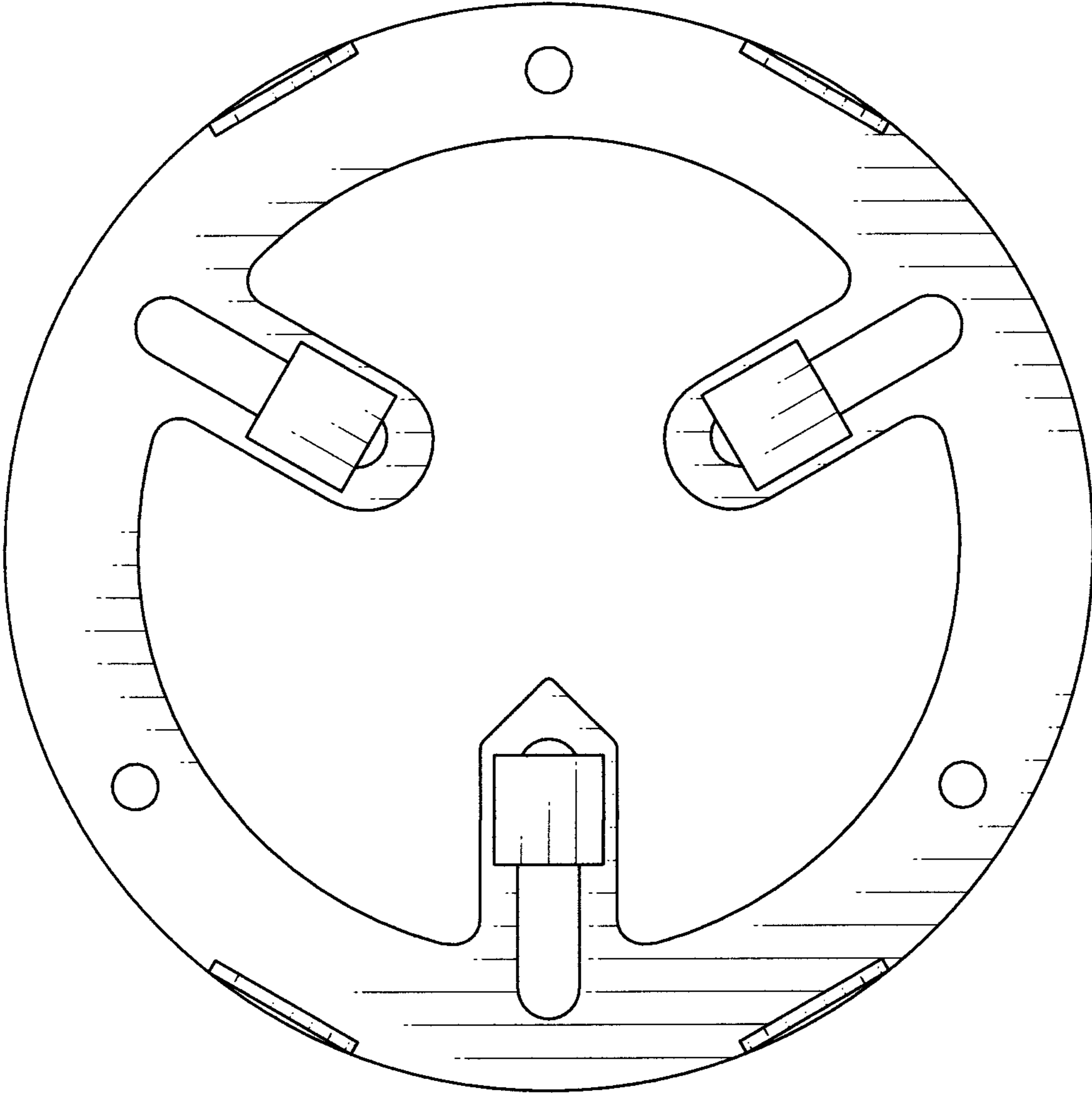


FIG. 7

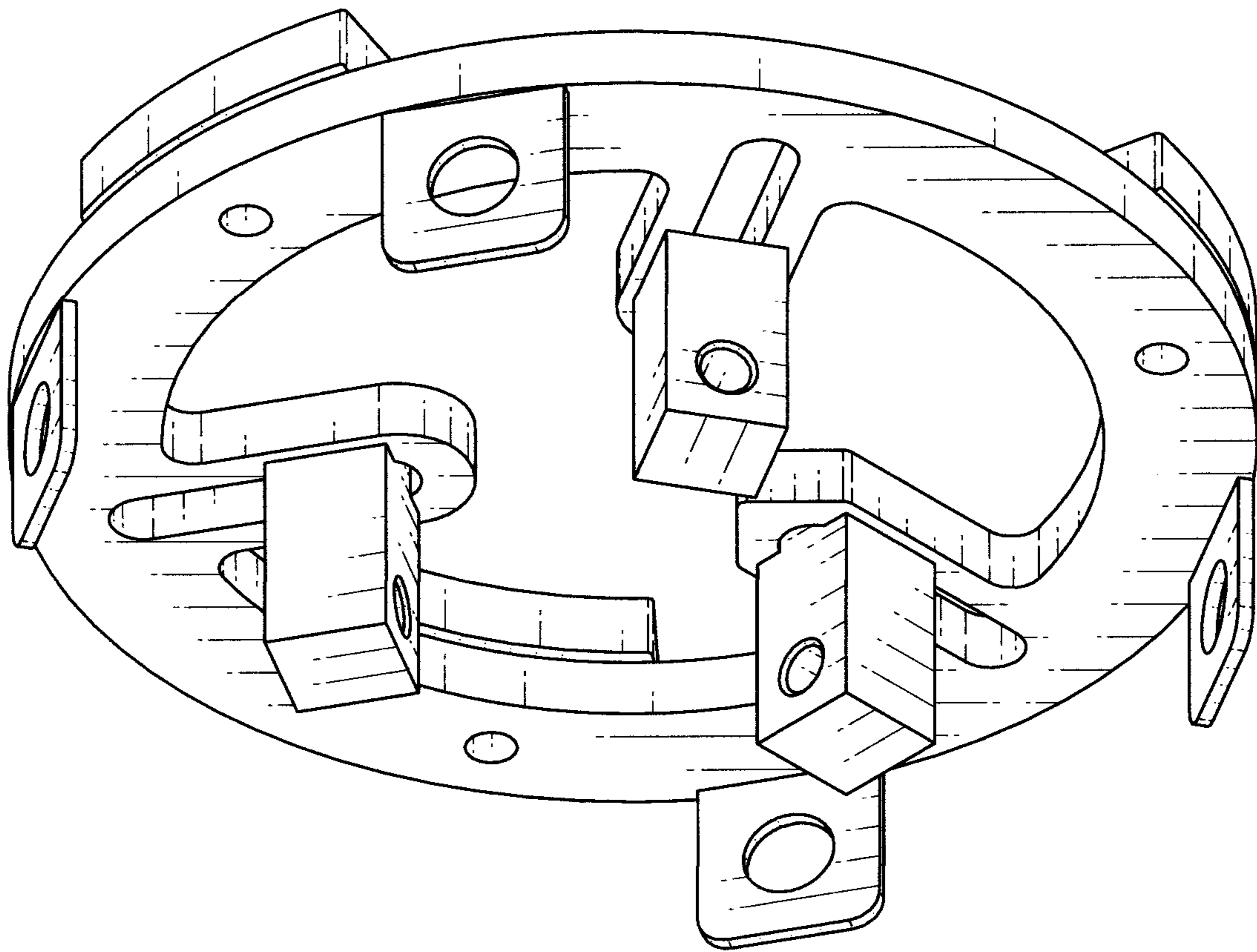


FIG. 8