



US00D921473S

(12) **United States Design Patent**
Miller, III

(10) **Patent No.:** **US D921,473 S**

(45) **Date of Patent:** **** Jun. 8, 2021**

(54) **HOLDER FOR A FIRE IGNITION SOURCE**

(71) Applicant: **Southern Andiron and Tool Co.,**
Atlanta, GA (US)

(72) Inventor: **William T Miller, III,** Brookhaven, GA
(US)

(73) Assignee: **SOUTHERN ANDIRON AND TOOL**
CO., Atlanta, GA (US)

(**) Term: **15 Years**

(21) Appl. No.: **29/724,176**

(22) Filed: **Feb. 13, 2020**

(51) **LOC (13) Cl.** **08-08**

(52) **U.S. Cl.**
USPC **D8/349**

(58) **Field of Classification Search**
USPC D8/349, 354, 366, 371, 373, 380, 382;
D15/133, 134, 136, 127
CPC E04B 7/045; E04B 1/2612; E04B 1/2608;
E04F 11/02; E04F 11/028; E04G 7/02;
Y10T 403/4611; Y10T 403/1974; Y10T
403/39; F24B 1/00
See application file for complete search history.

(56) **References Cited**

U.S. PATENT DOCUMENTS

D473,124 S * 4/2003 Wu D8/356
D473,448 S * 4/2003 Wu D8/356

D474,676 S * 5/2003 Bainbridge D8/354
D550,541 S * 9/2007 Blanchard D8/354
D555,468 S * 11/2007 Caswell D8/380
D667,718 S * 9/2012 Preda D8/354
D732,373 S * 6/2015 Wagner D8/349
D774,874 S * 12/2016 Wentzel D8/349
D825,315 S * 8/2018 Inzeo D8/349
D869,936 S * 12/2019 Smith D8/349
D897,189 S * 9/2020 Landon D8/354
D899,897 S * 10/2020 Gustafsson Salmonsson
D8/354

* cited by examiner

Primary Examiner — Mark A Goodwin

Assistant Examiner — Benjamin M Weeks

(74) *Attorney, Agent, or Firm* — McClure, Qualey &
Rodack, LLP

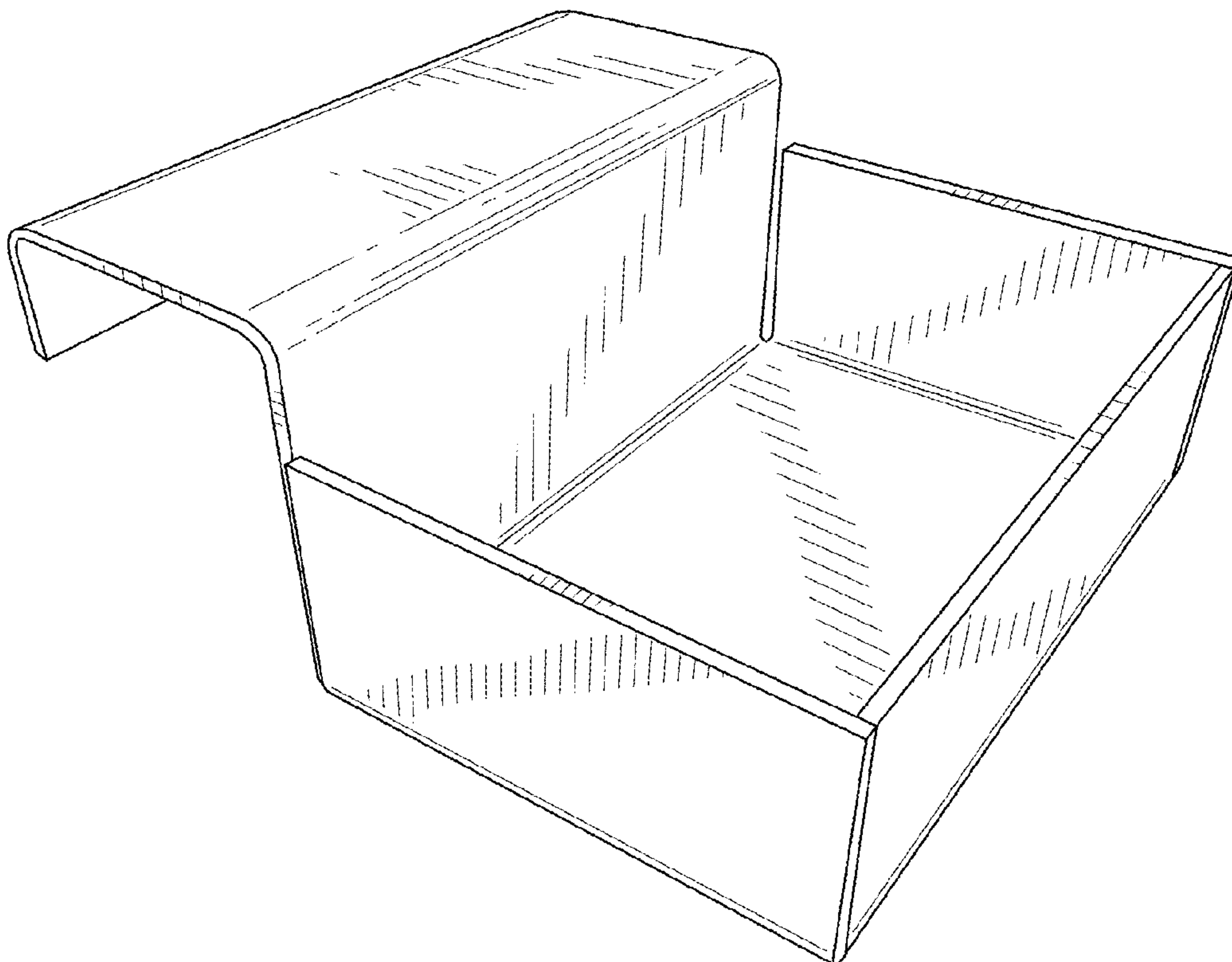
(57) **CLAIM**

The ornamental design for a holder for a fire ignition source,
as shown and described.

DESCRIPTION

FIG. 1 is a top, front and left perspective view of a holder
for a fire ignition source, showing the new design
FIG. 2 is a top, rear and right perspective view thereof;
FIG. 3 is a front view thereof;
FIG. 4 is a rear view thereof;
FIG. 5 is a right side view thereof;
FIG. 6 is a left side view thereof;
FIG. 7 is a top view thereof; and,
FIG. 8 is a bottom view thereof.

1 Claim, 6 Drawing Sheets



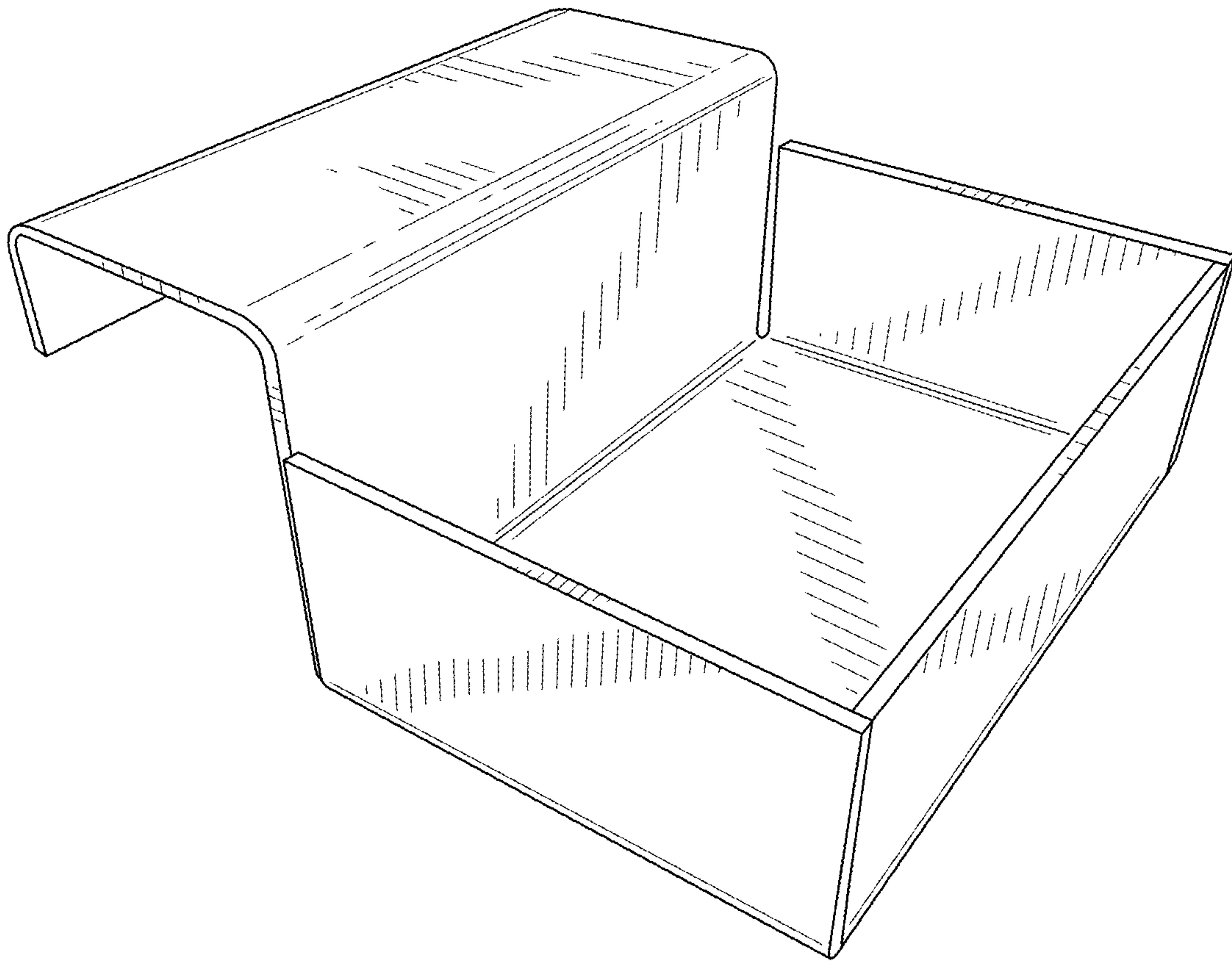


FIG. 1

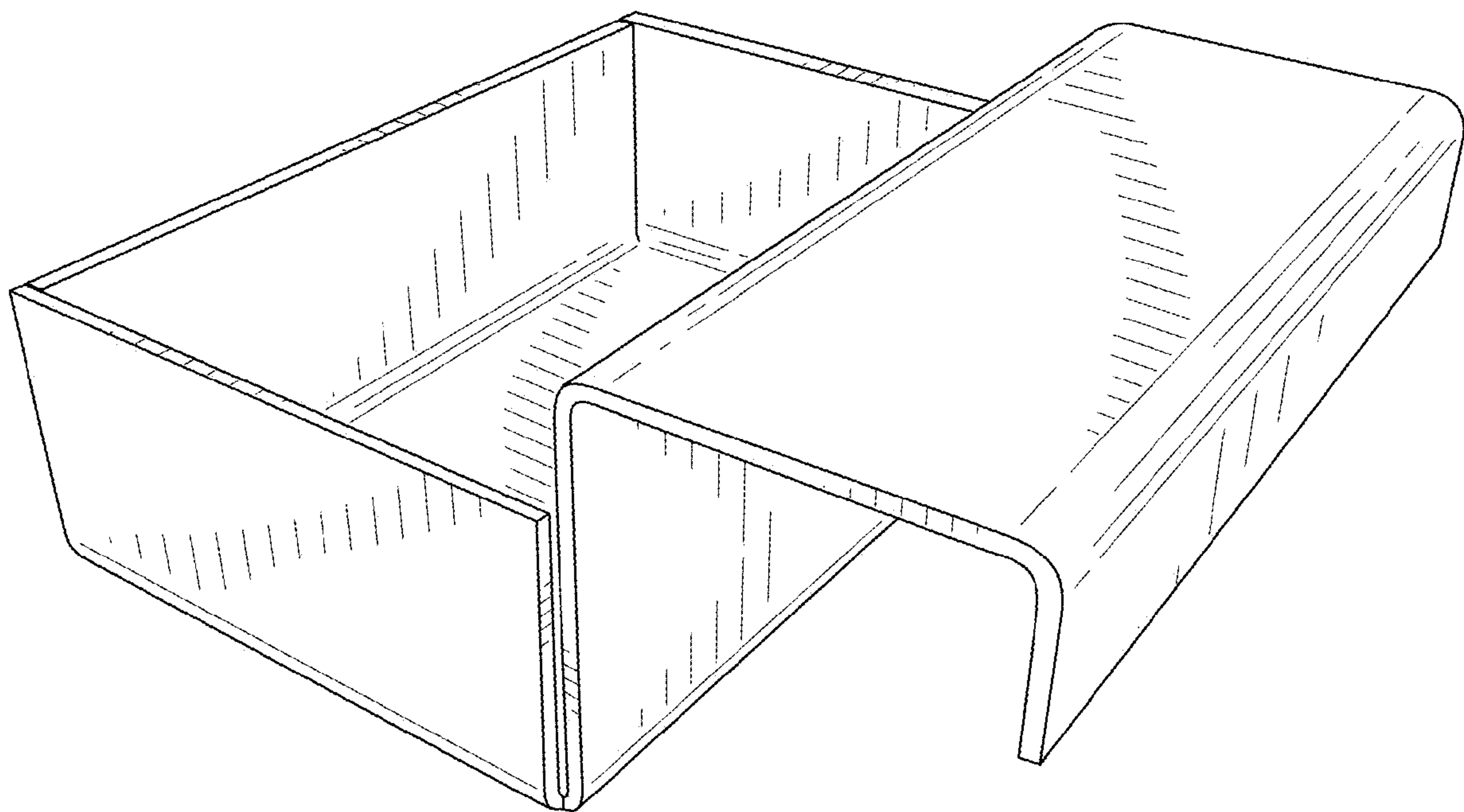


FIG. 2

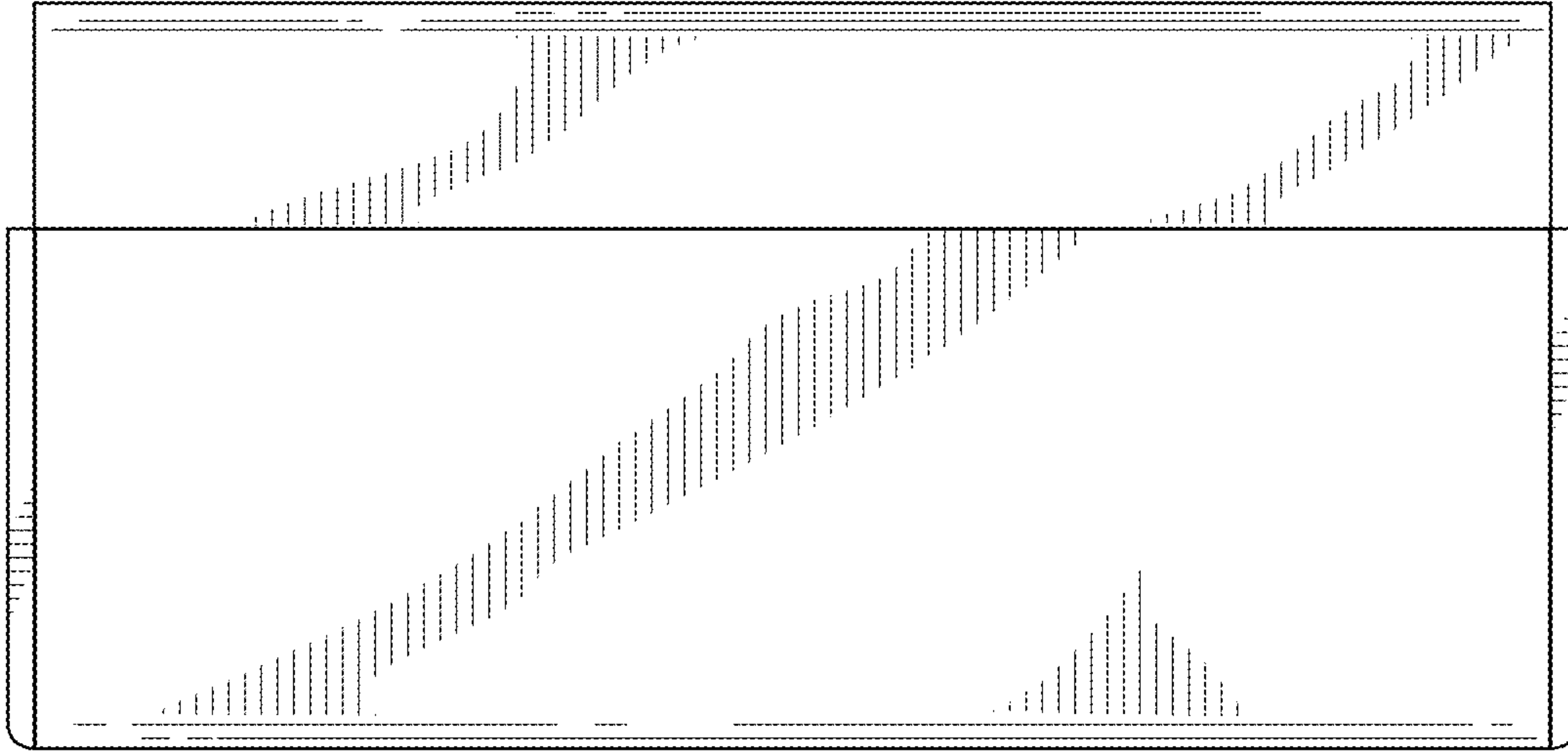


FIG. 3

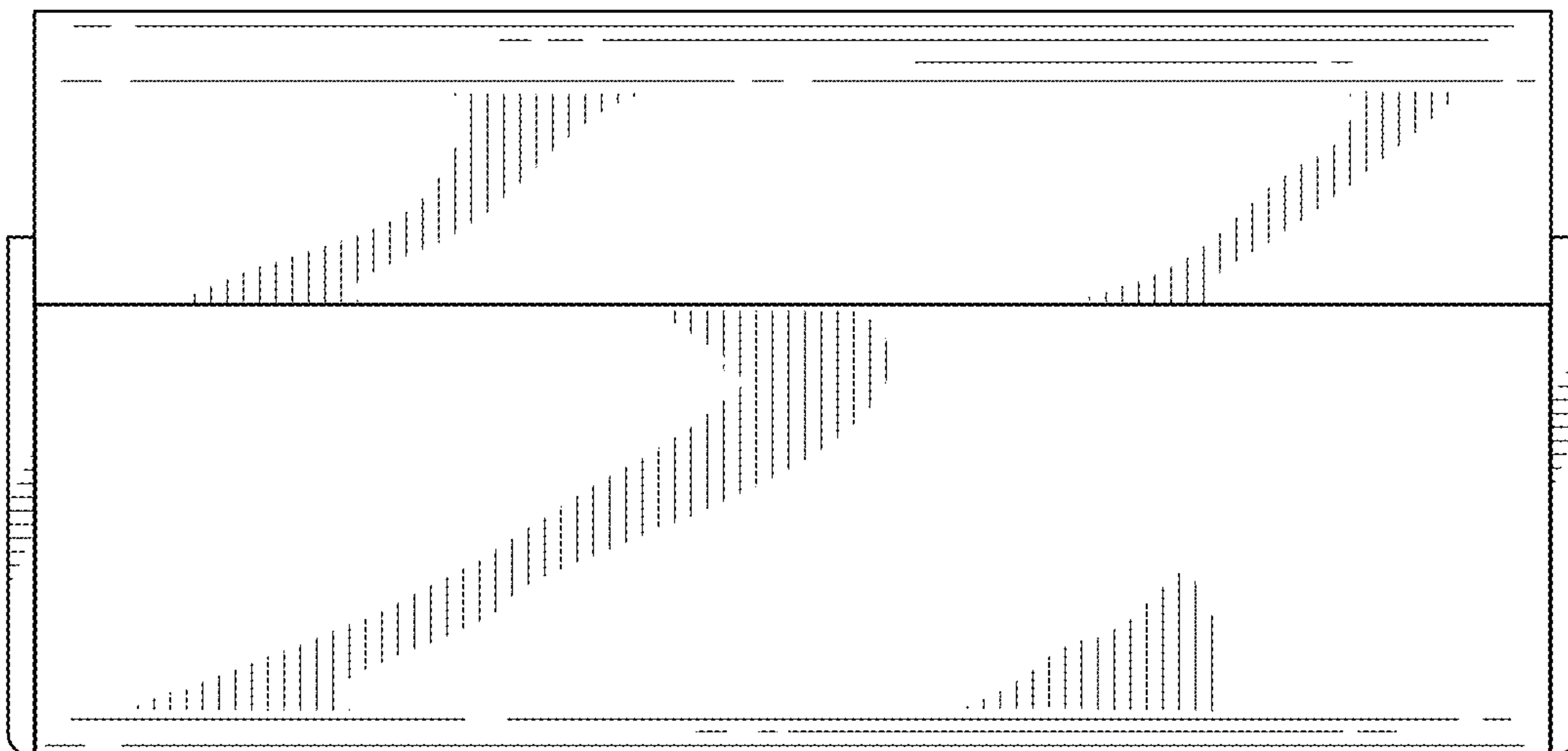


FIG. 4

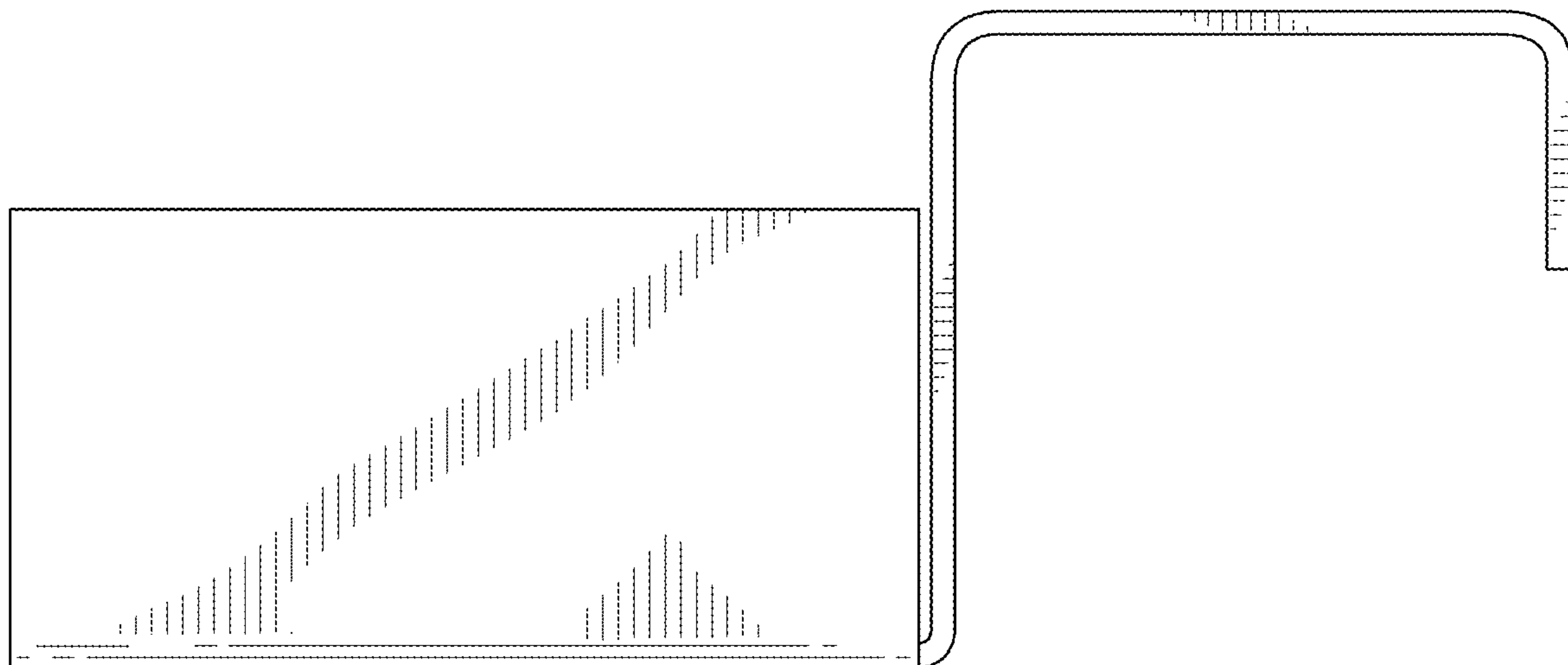


FIG. 5

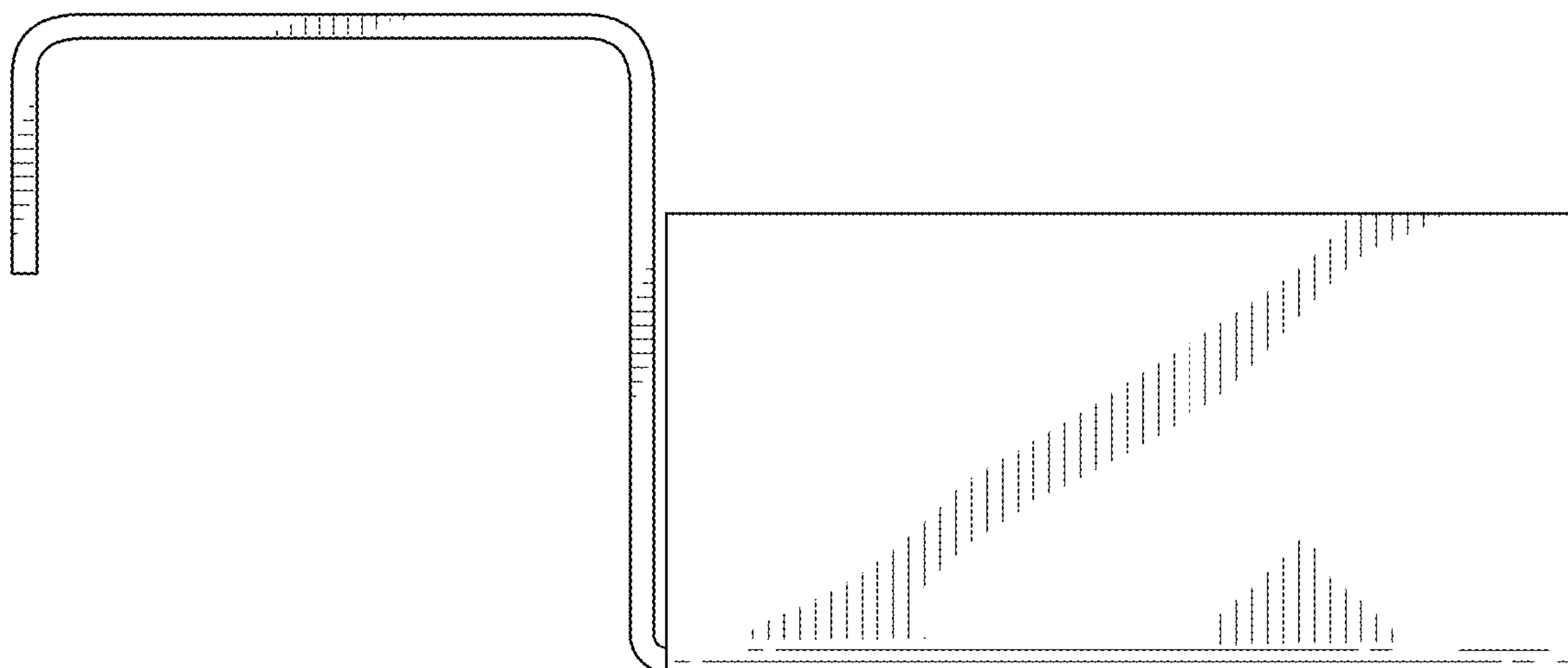


FIG. 6

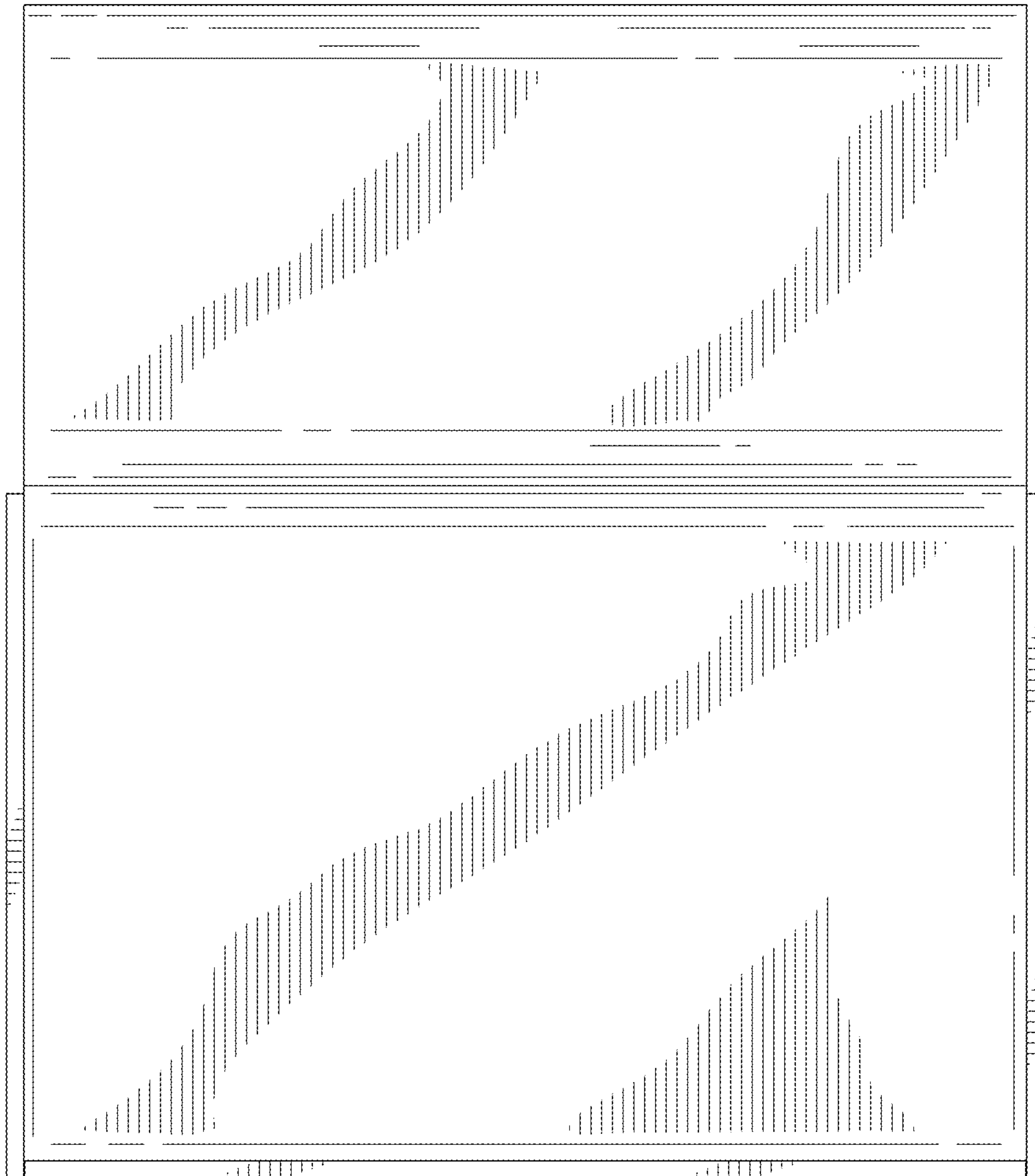


FIG. 7

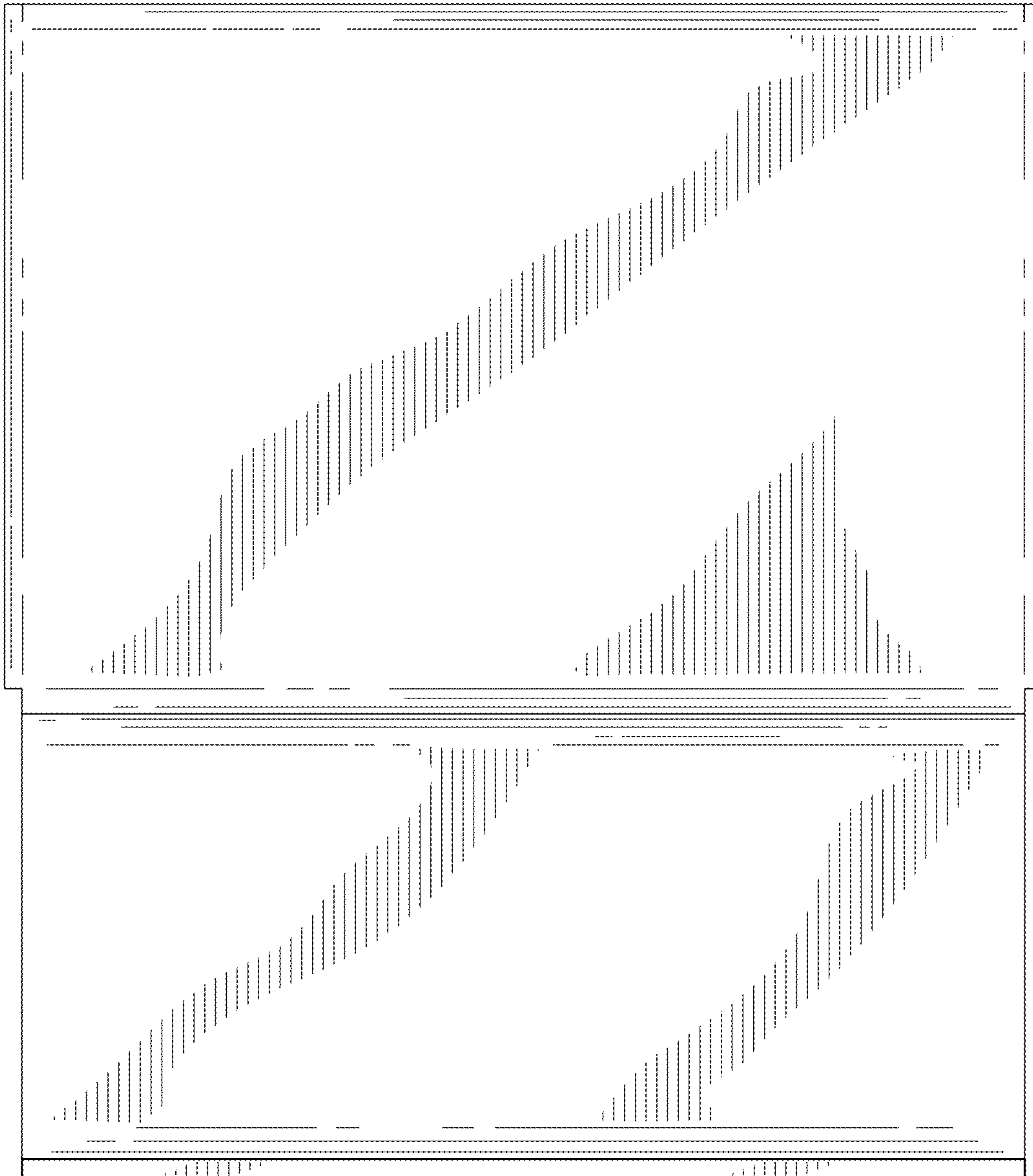


FIG. 8