

US00D921472S

(12) **United States Design Patent**  
**Cowlin**

(10) **Patent No.:** **US D921,472 S**  
(45) **Date of Patent:** **\*\* Jun. 8, 2021**

(54) **DOOR LEVER**

(71) Applicant: **Taymor Industries Ltd.**, Delta (CA)

(72) Inventor: **Mark Cowlin**, West Vancouver (CA)

(73) Assignee: **Taymor Industries Ltd.**, Delta (CA)

(\*\*) Term: **15 Years**

(21) Appl. No.: **29/709,937**

(22) Filed: **Oct. 18, 2019**

(30) **Foreign Application Priority Data**

Jun. 28, 2019 (CA) ..... CA 188434

(51) **LOC (13) Cl.** ..... **08-06**

(52) **U.S. Cl.**  
USPC ..... **D8/308**

(58) **Field of Classification Search**

USPC ..... D8/300-302, 307-309, 310, 311,  
D8/DIG. 10; D23/250, 252

CPC ..... Y10T 16/44; Y10T 74/20612; Y10T  
74/20732; Y10T 16/458; Y10T 16/498;  
Y10T 16/469; Y10T 16/476; Y10T  
74/20744; Y10T 74/20864; Y10T  
16/4628; Y10T 74/20642; Y10T 16/473;  
Y10T 74/20762; Y10T 74/2042; Y10T  
74/20828; Y10T 16/459; Y10T 16/4713;  
Y10T 74/2014; Y10T 16/50; Y10T  
74/20438; Y10T 74/20582; Y10T  
74/20738; Y10T

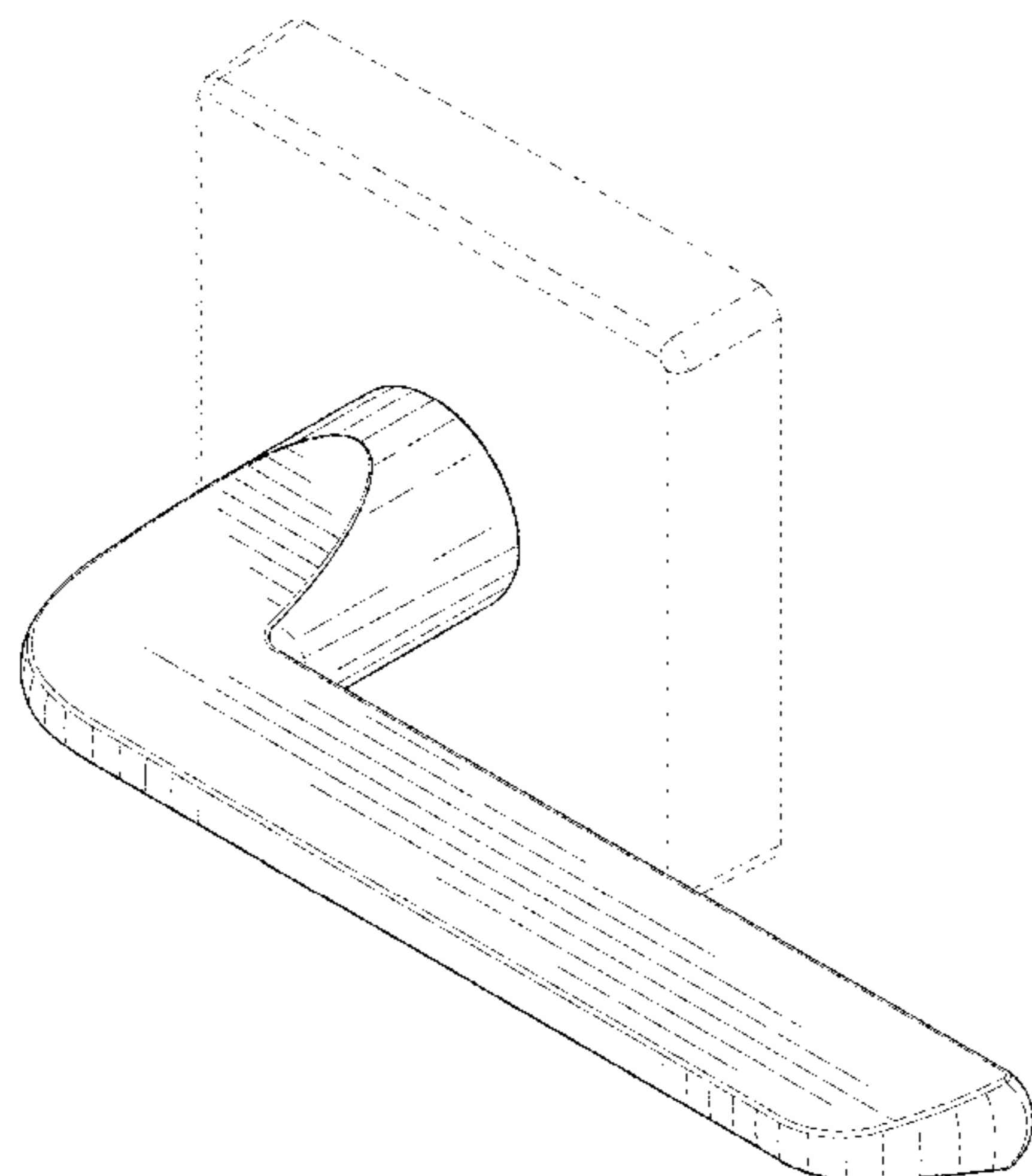
(Continued)

(56) **References Cited**

**U.S. PATENT DOCUMENTS**

D114,330 S \* 4/1939 Groen ..... D23/252  
3,107,113 A \* 10/1963 Thomas ..... E05B 15/02  
292/228

(Continued)



**OTHER PUBLICATIONS**

Canadian Patent Application No. 188434, Office Action dated Mar. 10, 2021.

*Primary Examiner* — Lauren R Calve

(74) *Attorney, Agent, or Firm* — Borden Ladner Gervais LLP; Curtis B. Behmann

(57) **CLAIM**

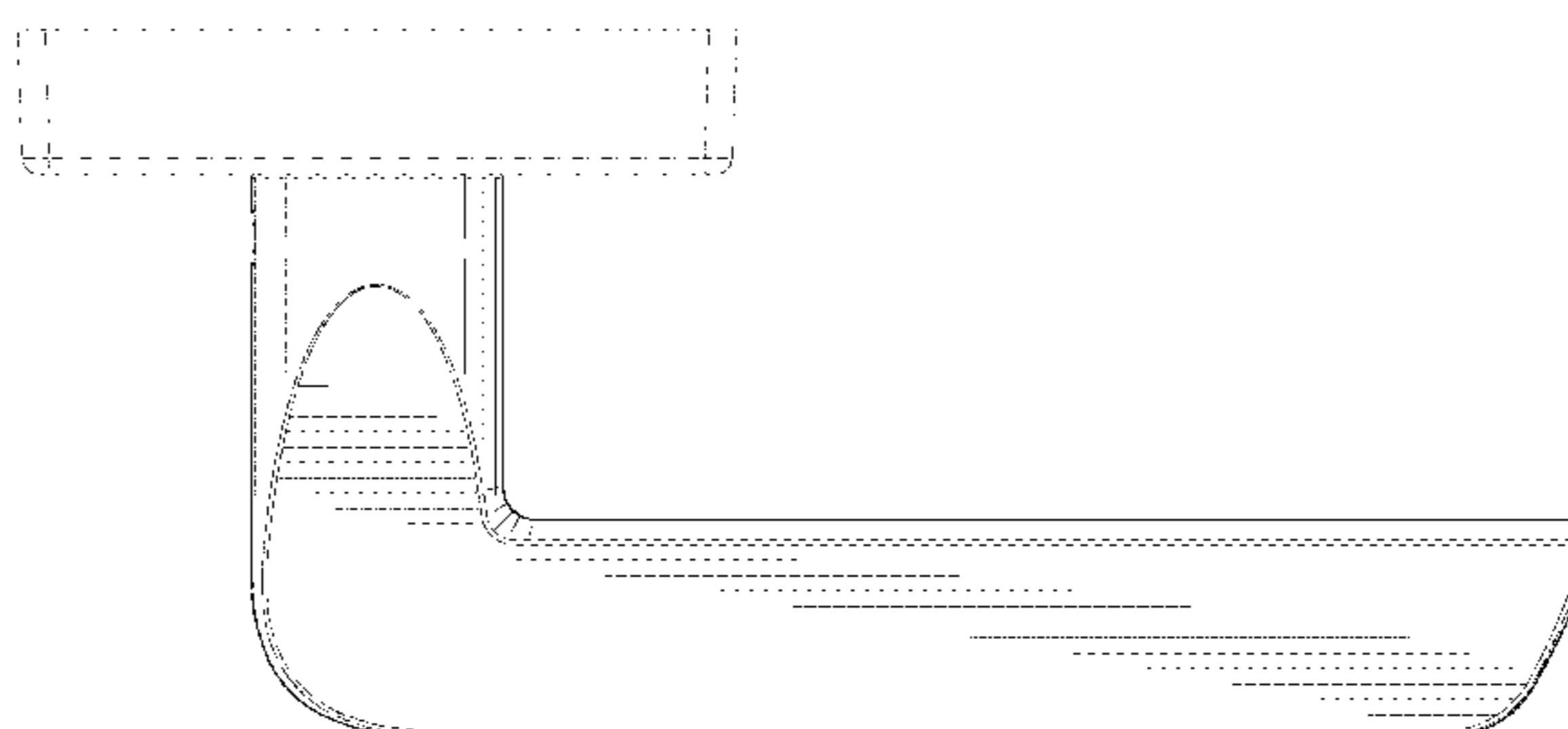
The ornamental design for a door lever, as shown and described.

**DESCRIPTION**

FIG. 1 is a front perspective view of a door lever showing the design according to a first embodiment;  
FIG. 2 is a front view thereof;  
FIG. 3 is a rear view thereof;  
FIG. 4 is a top view thereof;  
FIG. 5 is a bottom view thereof;  
FIG. 6 is a left side view thereof;  
FIG. 7 is a right side view thereof;  
FIG. 8 is a front perspective view of a door lever showing the design according to a second embodiment;  
FIG. 9 is a front view thereof;  
FIG. 10 is a rear view thereof;  
FIG. 11 is a top view thereof;  
FIG. 12 is a bottom view thereof;  
FIG. 13 is a left side view thereof;  
FIG. 14 is a right side view thereof;  
FIG. 15 is a front perspective view of a door lever showing the design according to a third embodiment;  
FIG. 16 is a front view thereof;  
FIG. 17 is a rear view thereof;  
FIG. 18 is a top view thereof;  
FIG. 19 is a bottom view thereof;  
FIG. 20 is a left side view thereof; and  
FIG. 21 is a right side view thereof.

The broken lines shown represent portions of the door lever that form no part of the claimed design.

(Continued)



Shading is used in the drawings to better illustrate the design.

**1 Claim, 12 Drawing Sheets**

**(58) Field of Classification Search**

CPC ..... 16/48; Y10T 74/20618; Y10T 74/20684;  
Y10T 74/20624; Y10T 74/20468; Y10T  
16/61; Y10T 16/4719; Y10T 16/86; Y10S  
16/30; Y10S 292/31; Y10S 292/53; Y10S  
16/12; Y10S 292/23; Y10S 292/27; Y10S  
292/30; Y10S 292/63; E05B 85/16; E05B  
1/0015; E05B 77/06; E05B 79/06; E05B  
85/18; E05B 85/12; E05B 85/10; E05B  
7/00; E05B 1/0053; E05B 77/265

See application file for complete search history.

**(56) References Cited**

U.S. PATENT DOCUMENTS

3,400,446	A *	9/1968	Yulkowski .....	E05B 1/04 29/463
6,536,301	B1 *	3/2003	Luksch .....	B60N 3/023 16/408
D509,422	S *	9/2005	Gehry .....	D8/300
D549,548	S *	8/2007	Roberts, III .....	D8/308
D734,120	S *	7/2015	Hsu .....	D8/308
D734,122	S *	7/2015	Hsu .....	D8/308
D734,123	S *	7/2015	Chen .....	D8/308
D745,360	S *	12/2015	Sun .....	D8/308
D805,874	S *	12/2017	Landecker .....	D8/308

\* cited by examiner

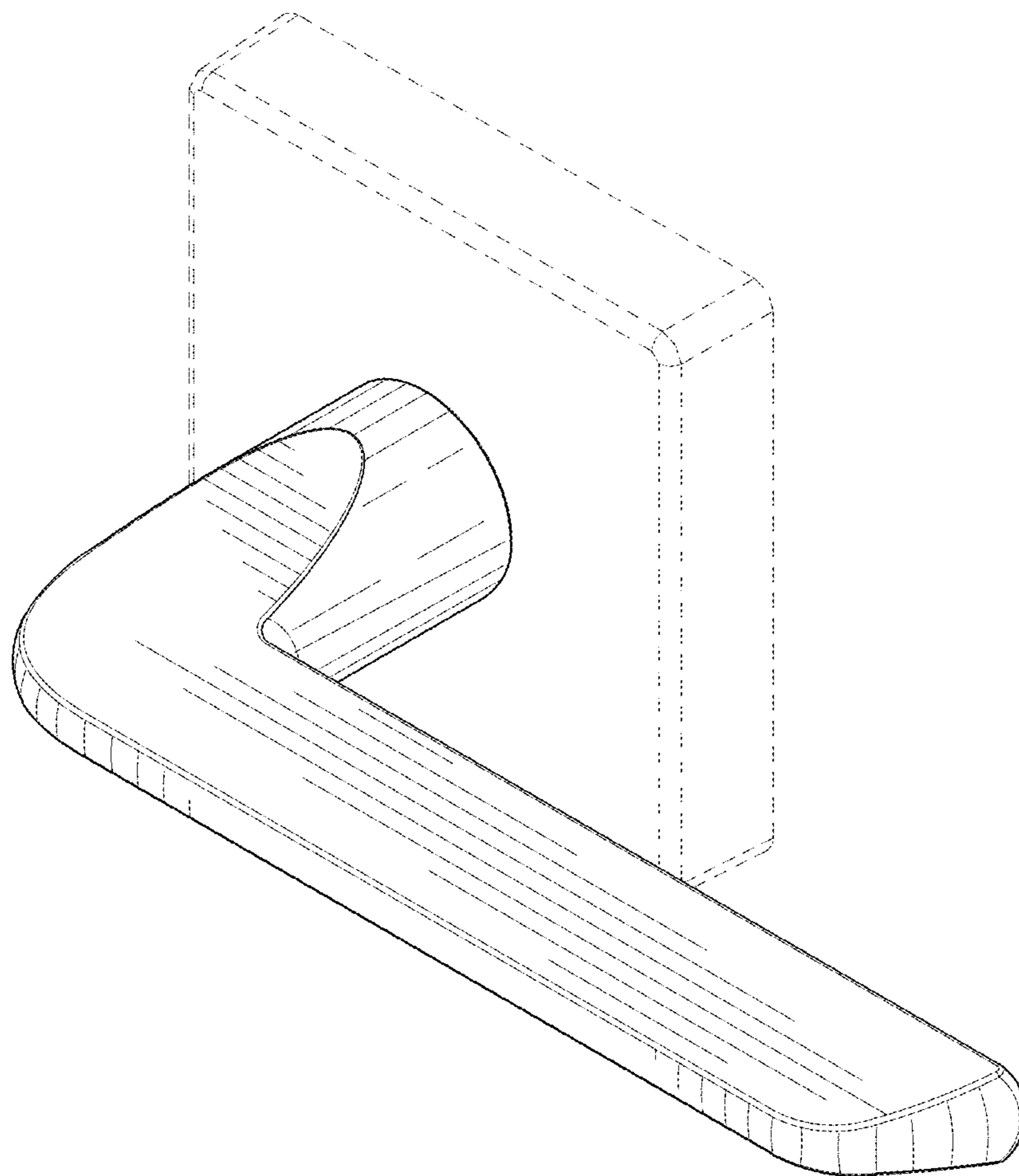


FIG.1

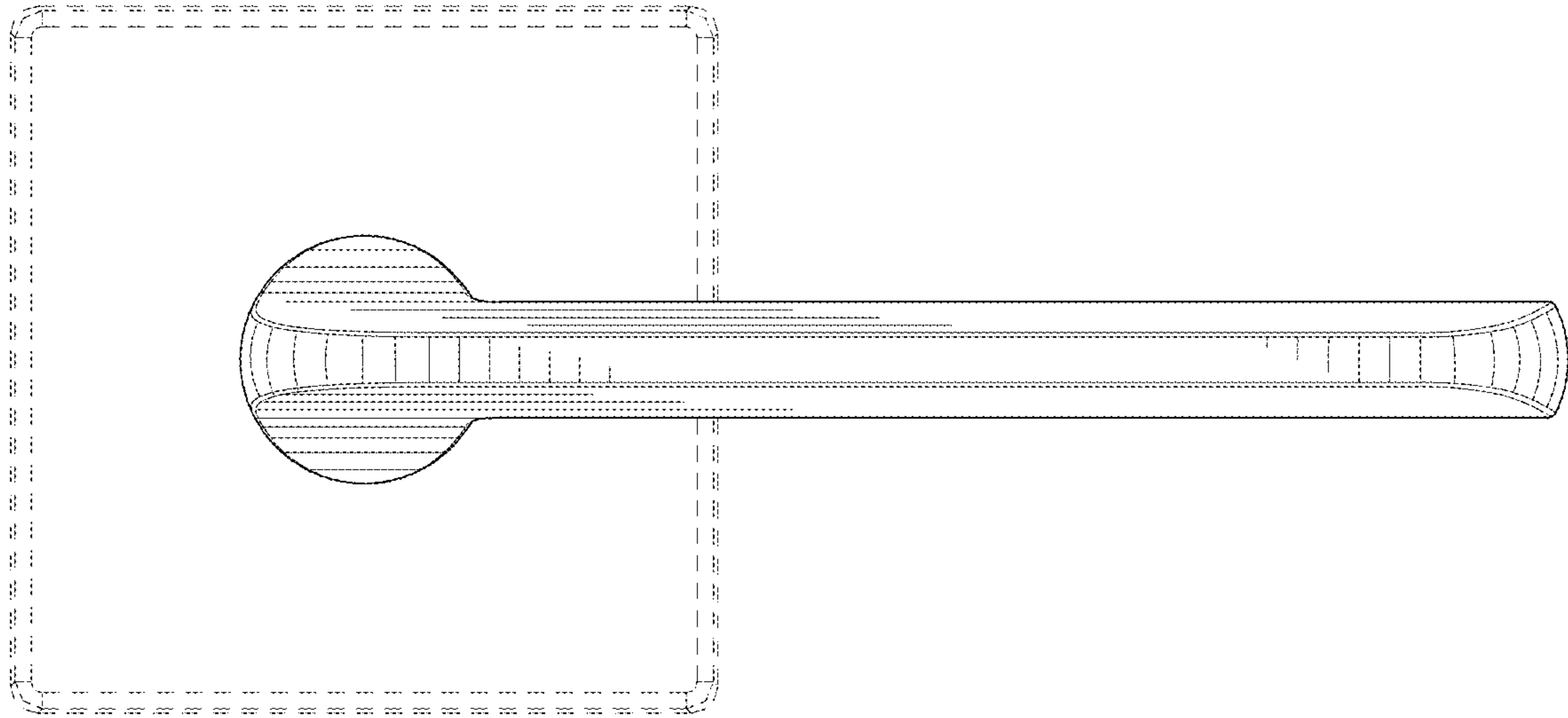


FIG. 2

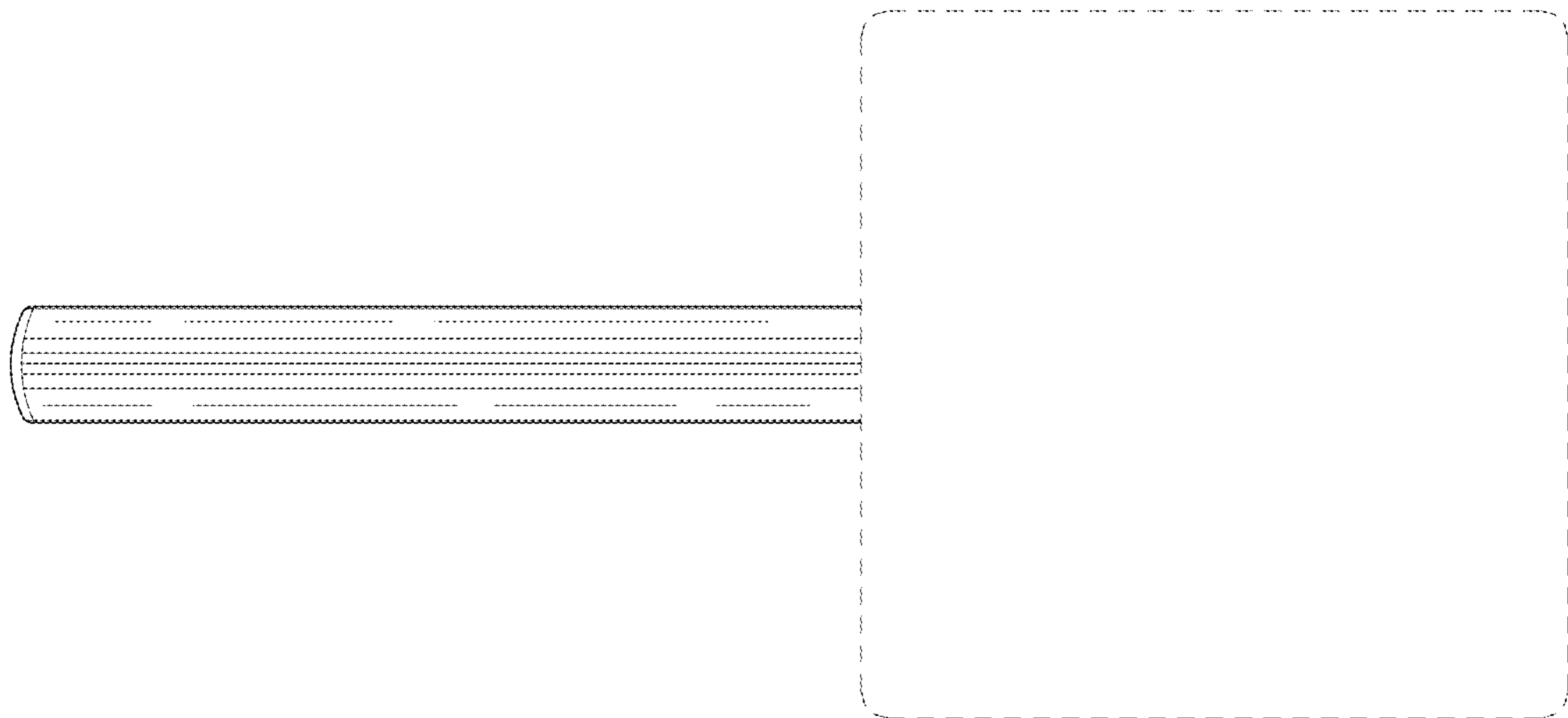


FIG. 3

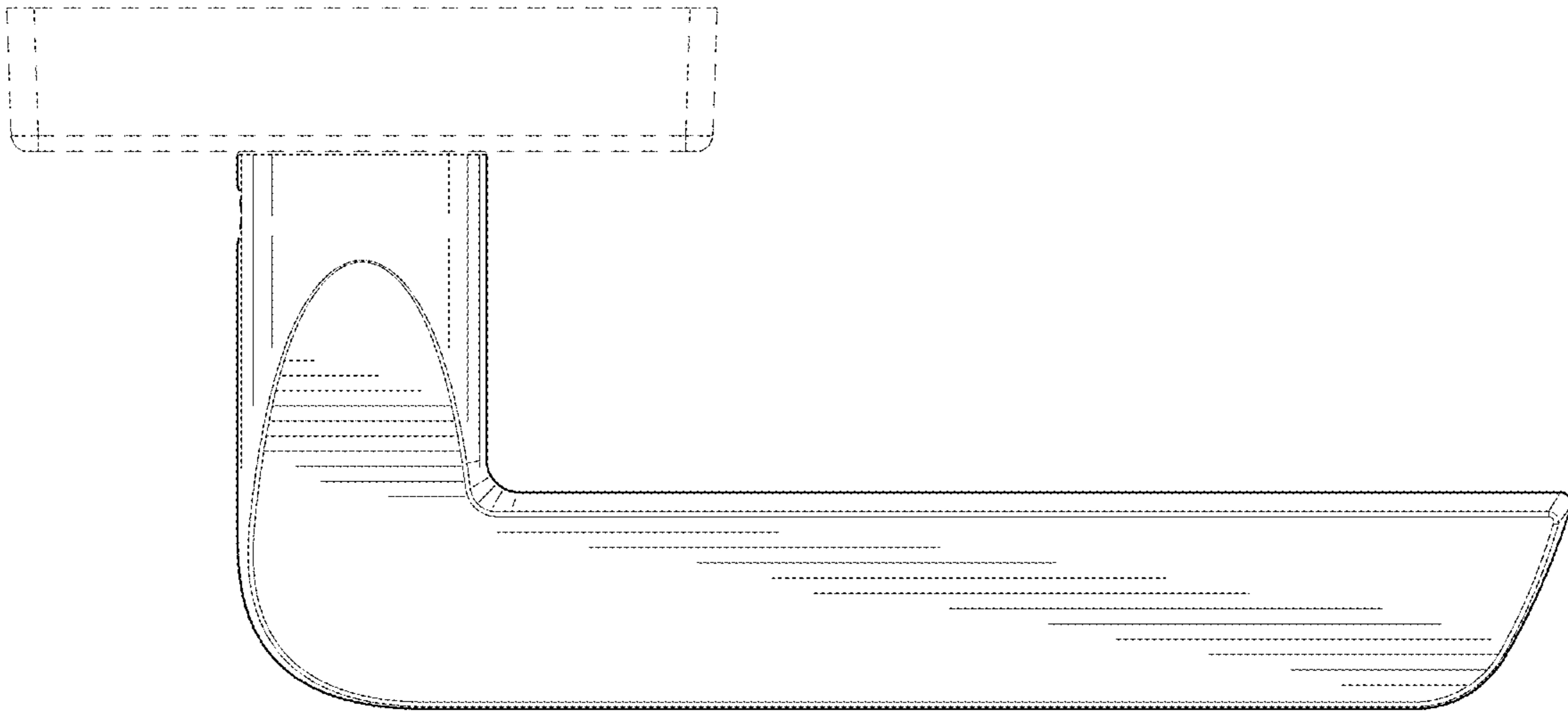


FIG.4

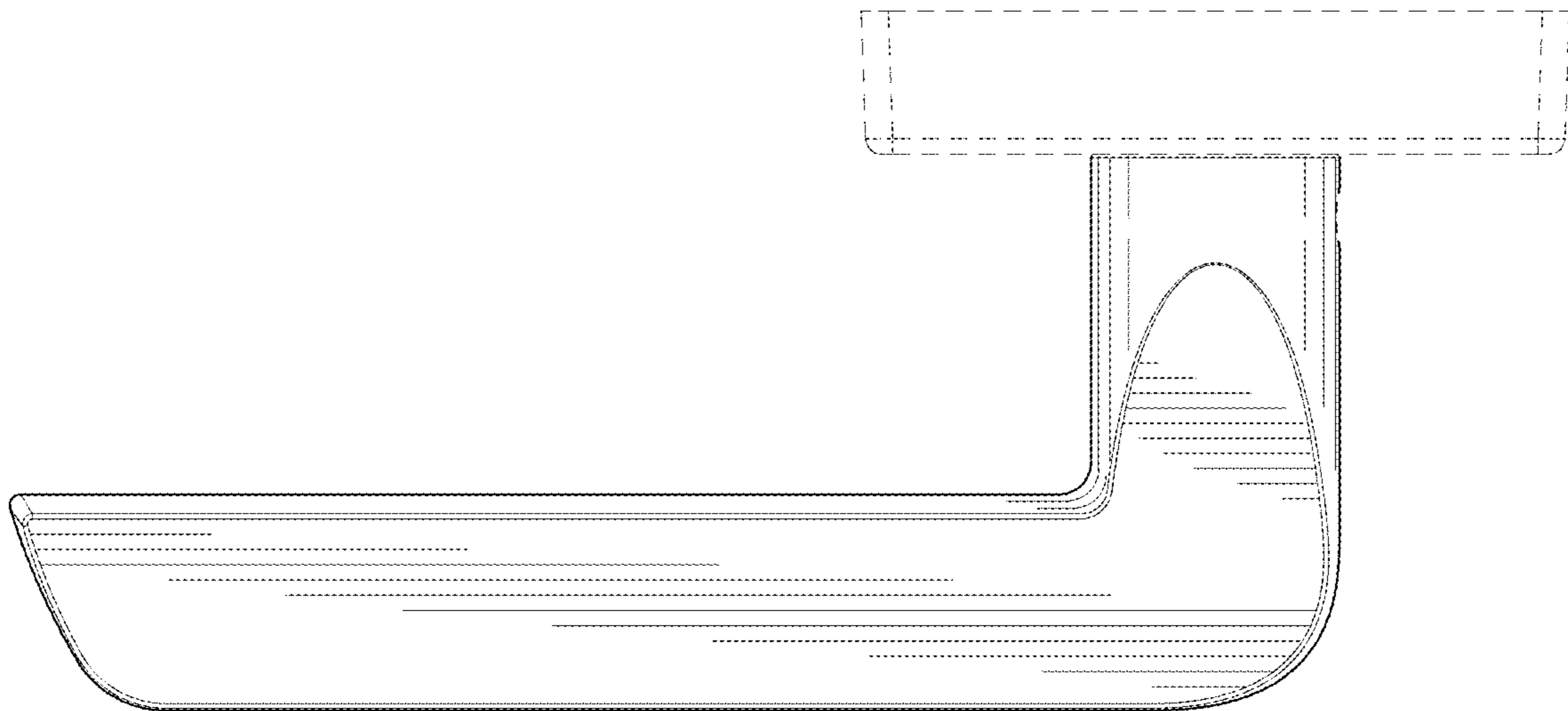


FIG.5

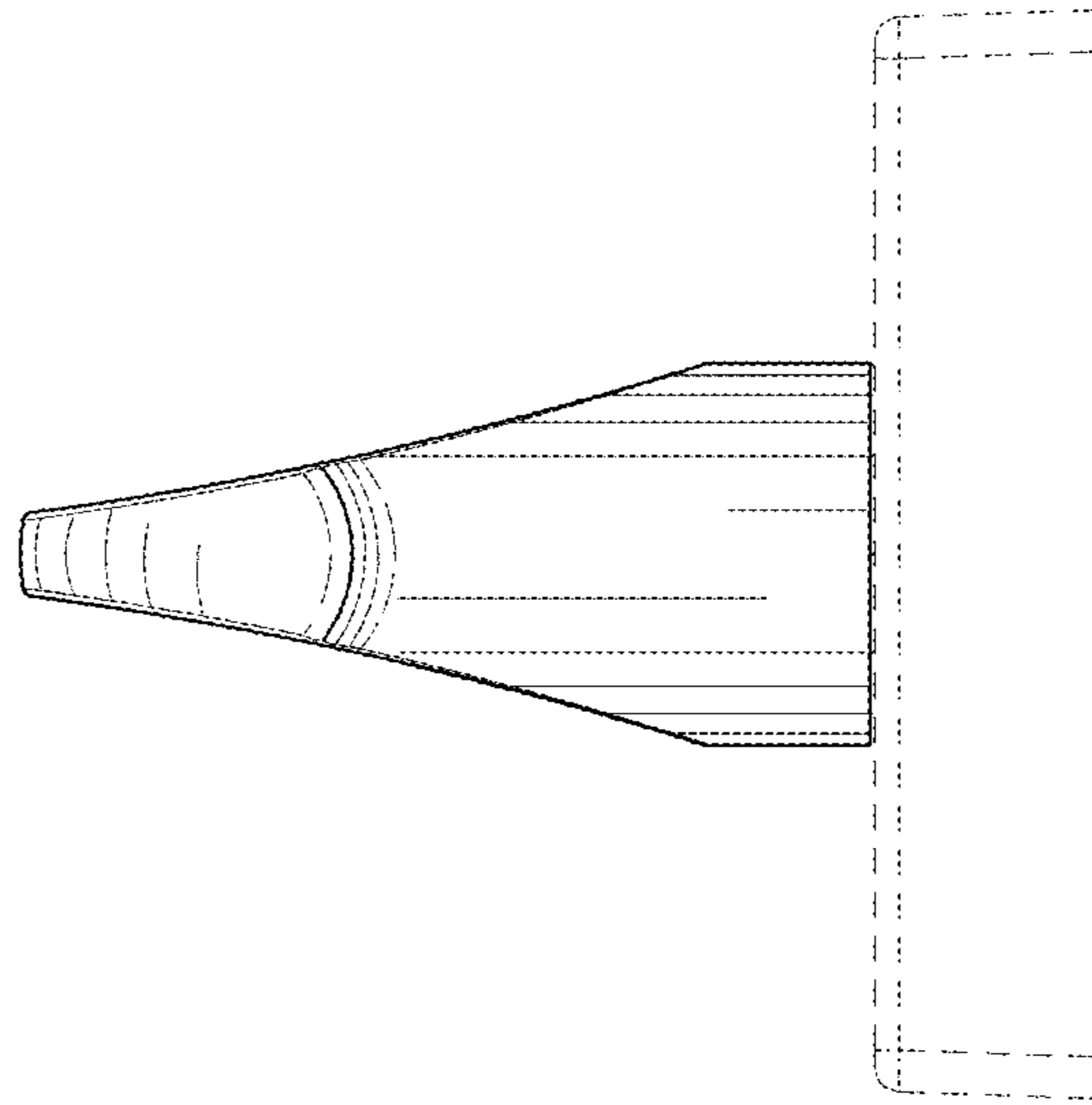


FIG. 6

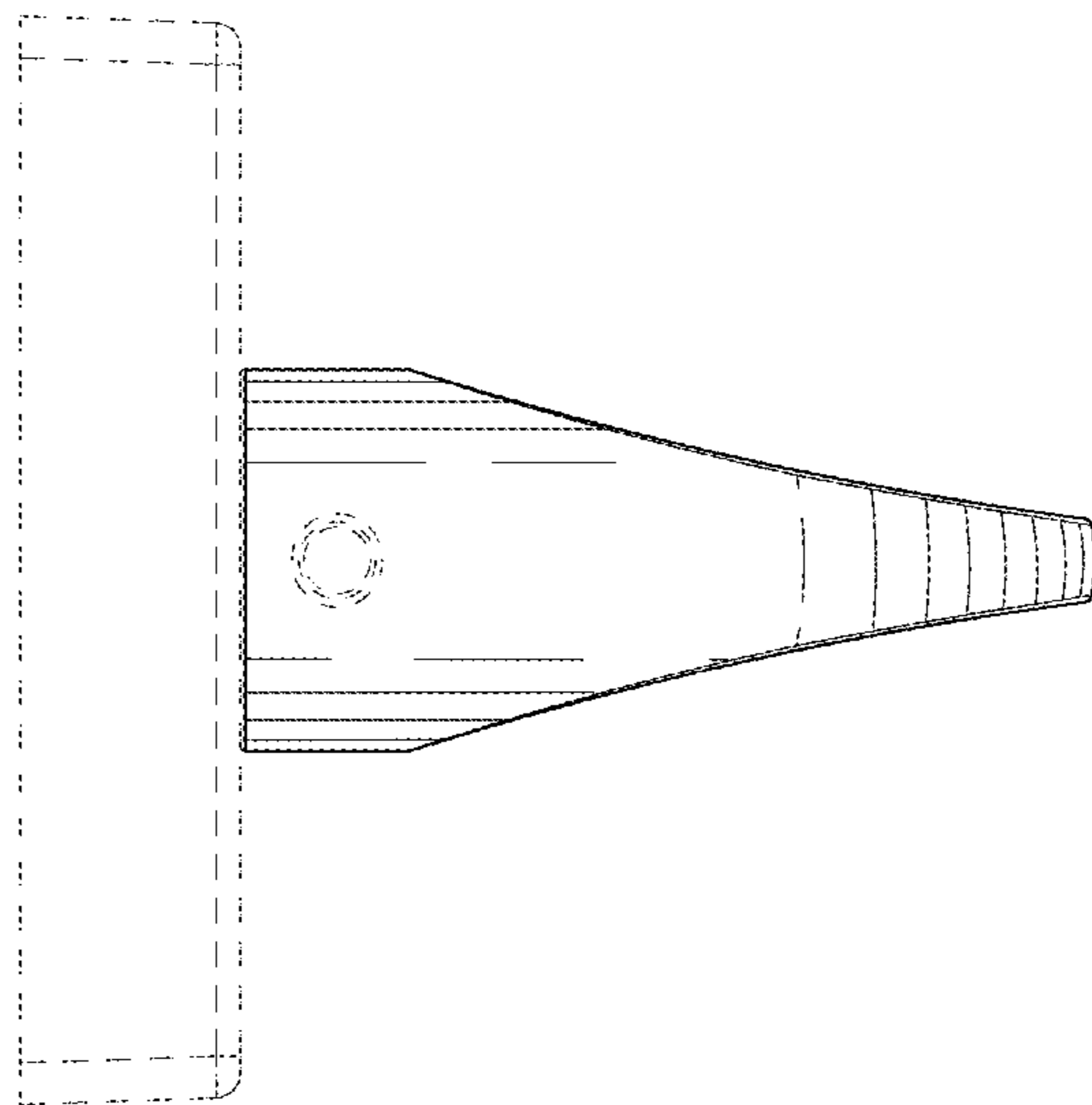


FIG. 7



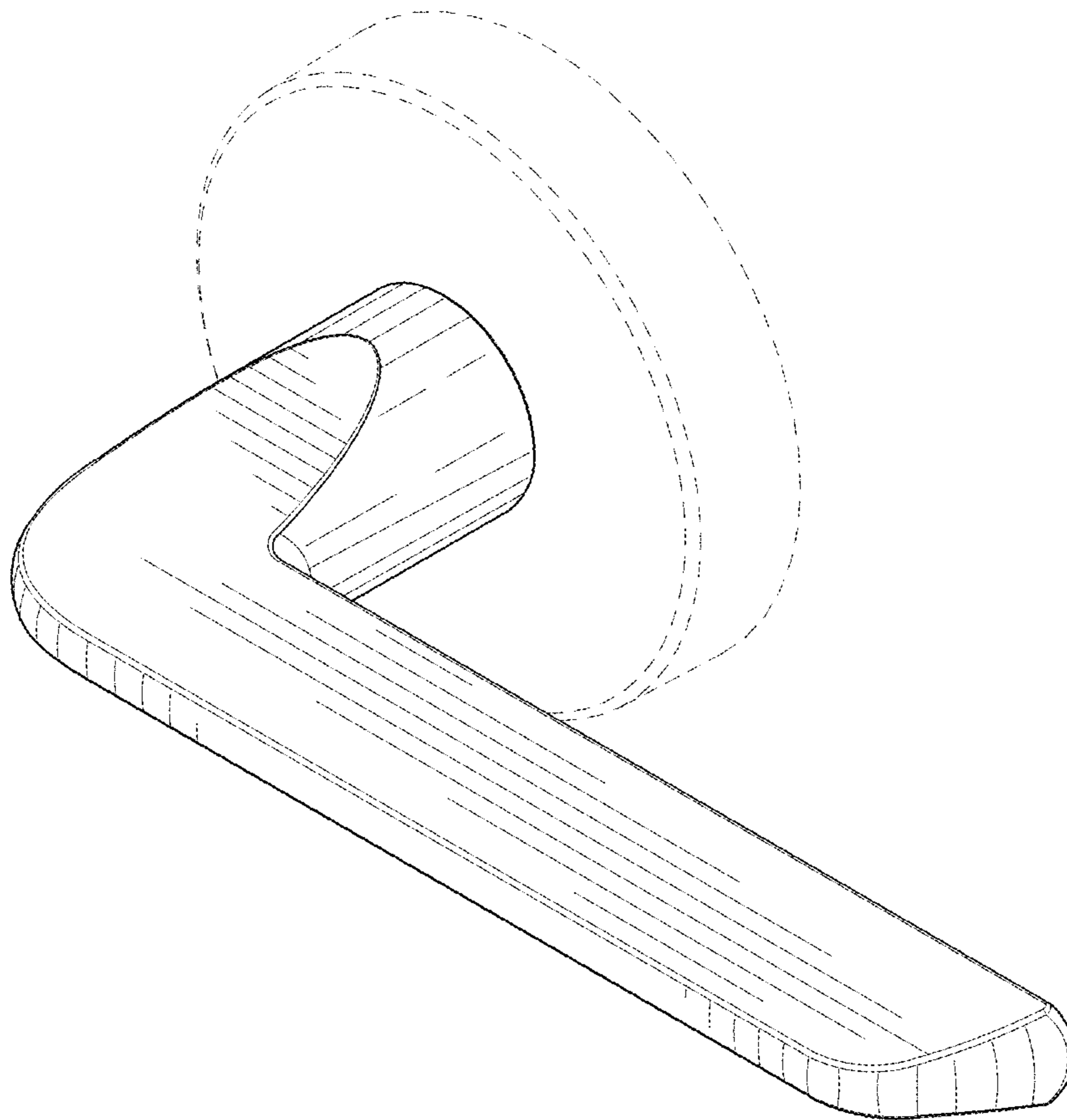


FIG.8

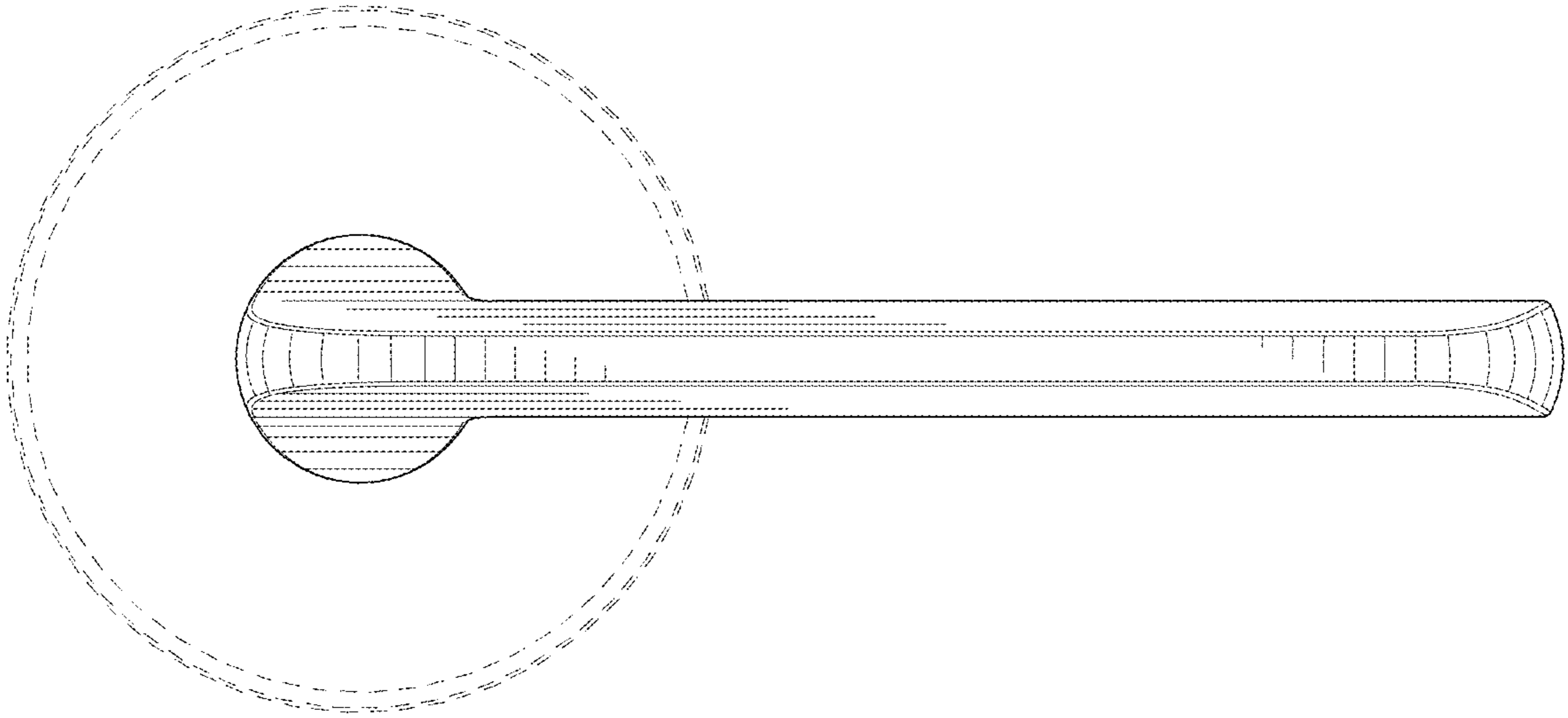


FIG. 9

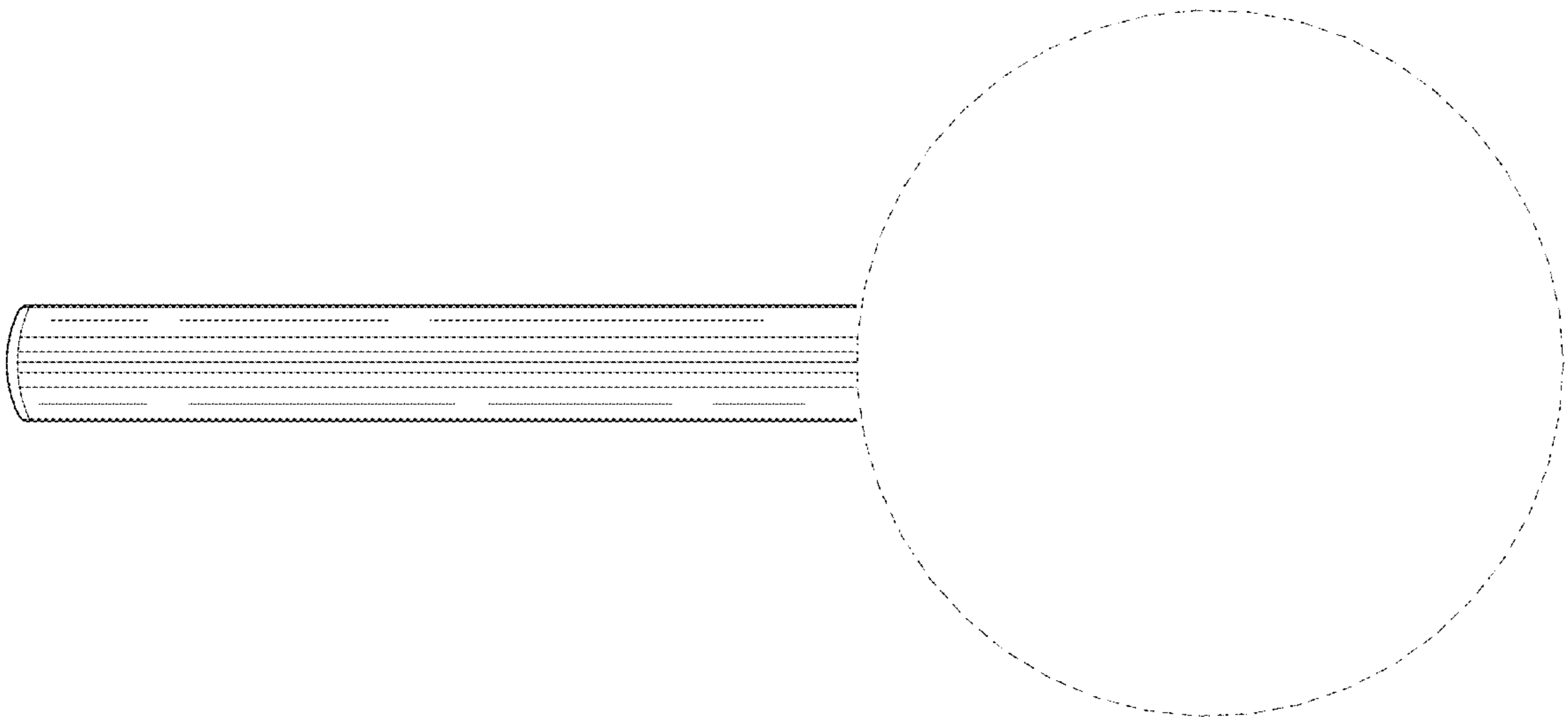


FIG. 10



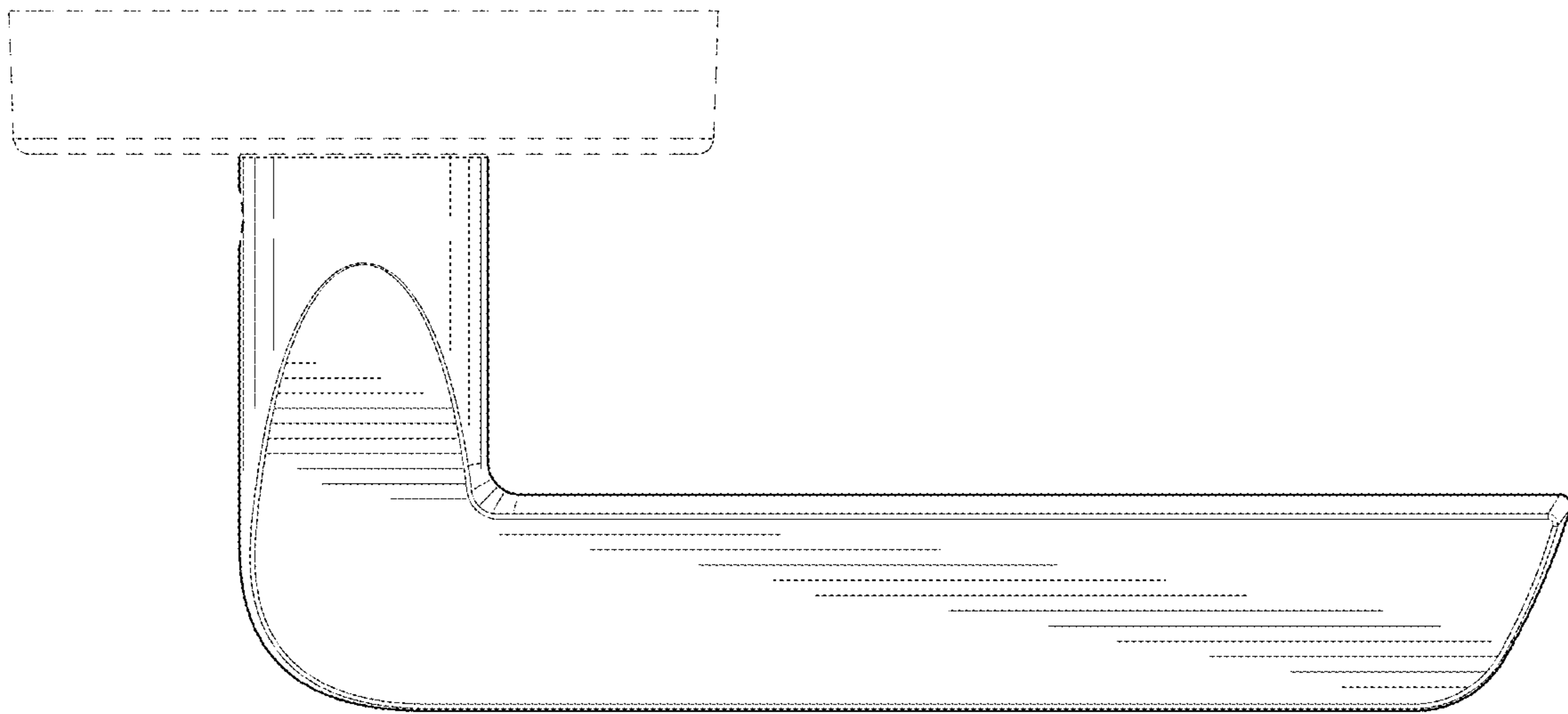


FIG.11

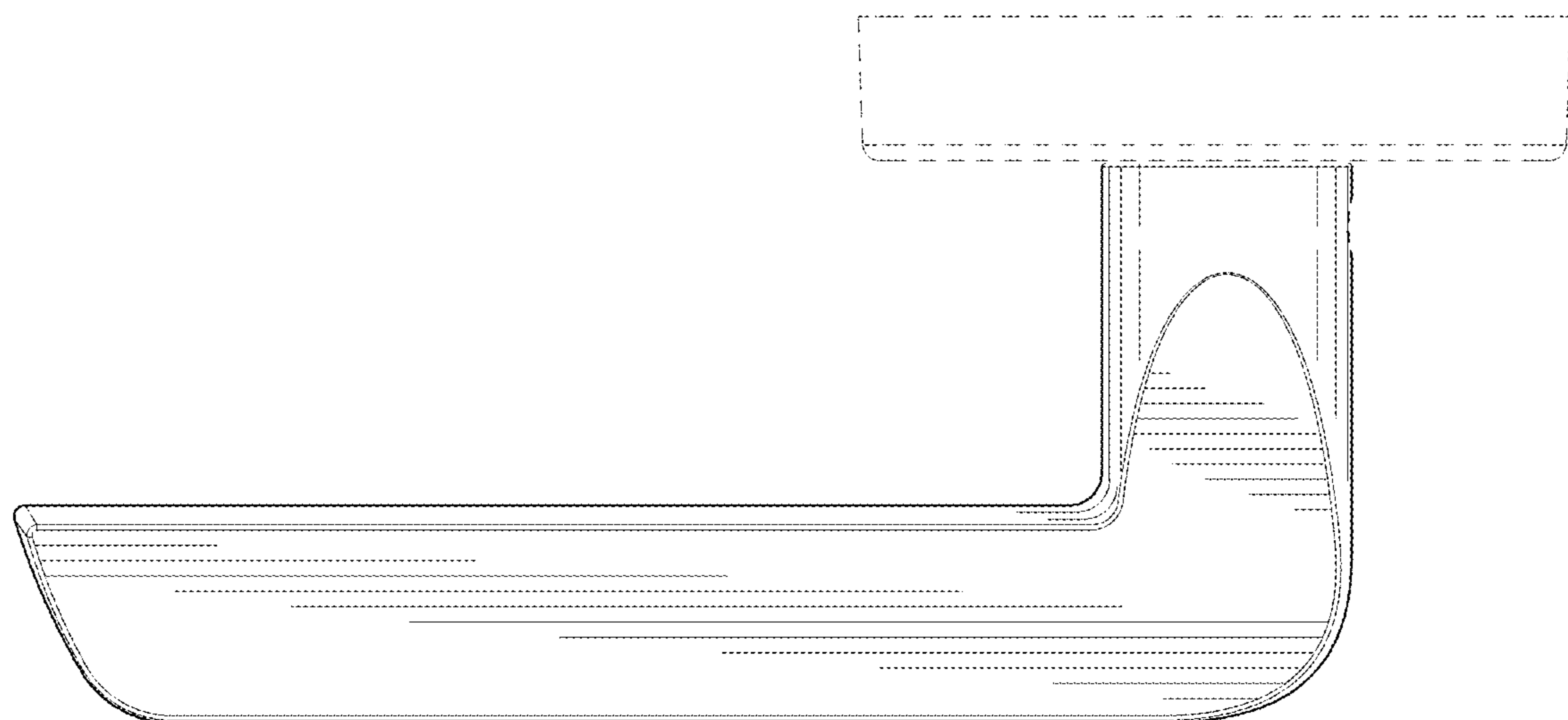


FIG.12

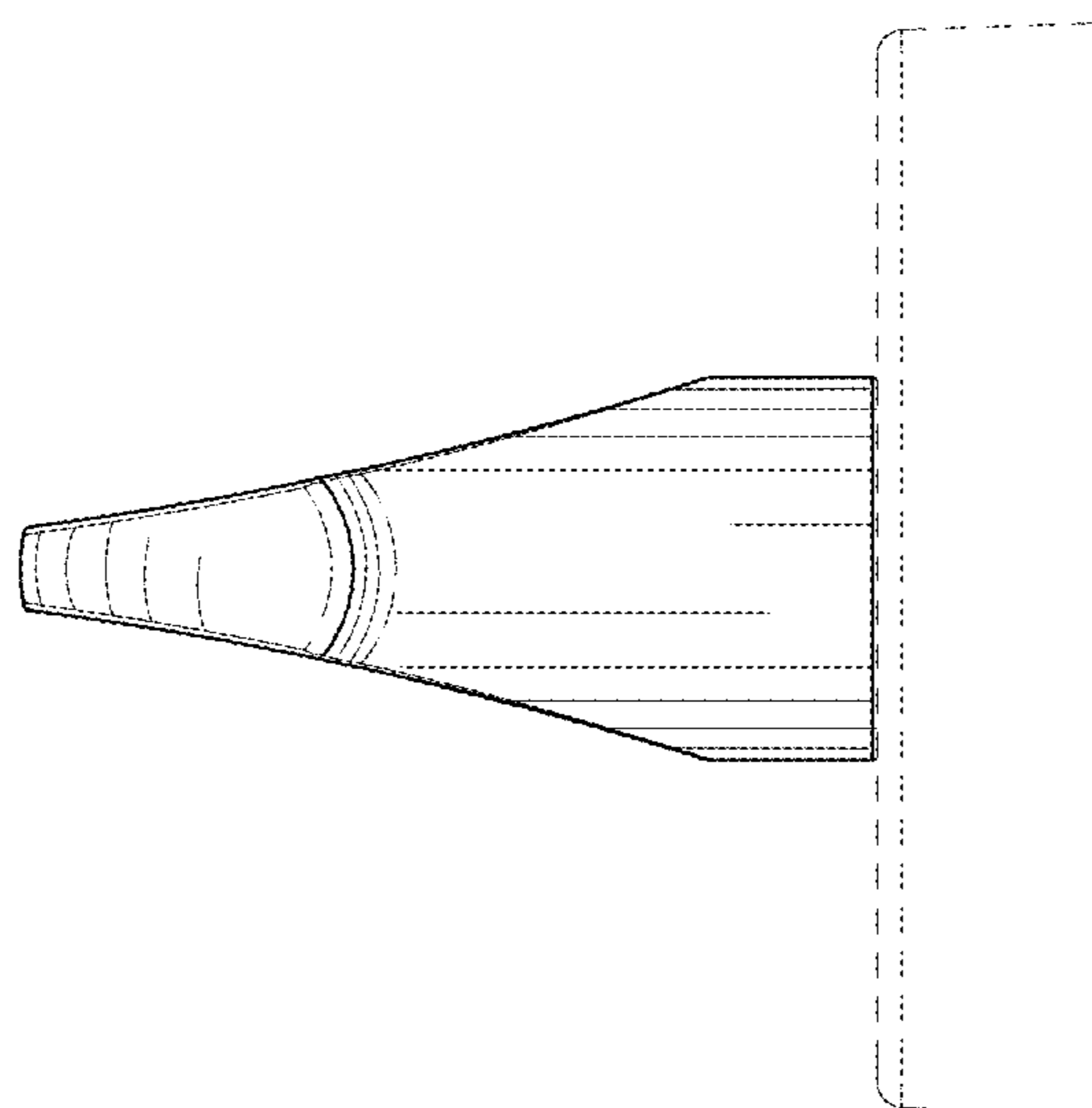


FIG.13

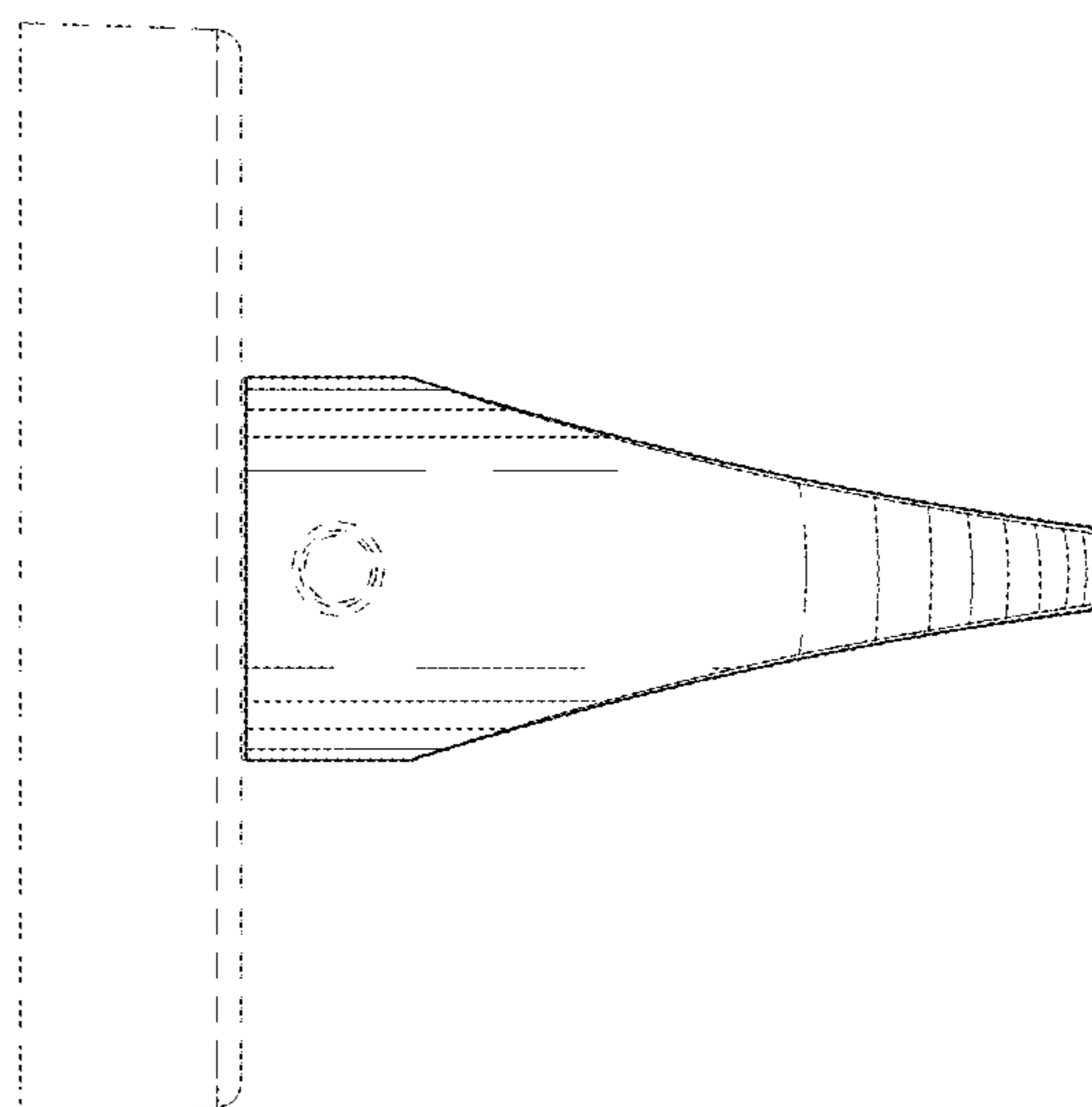


FIG.14

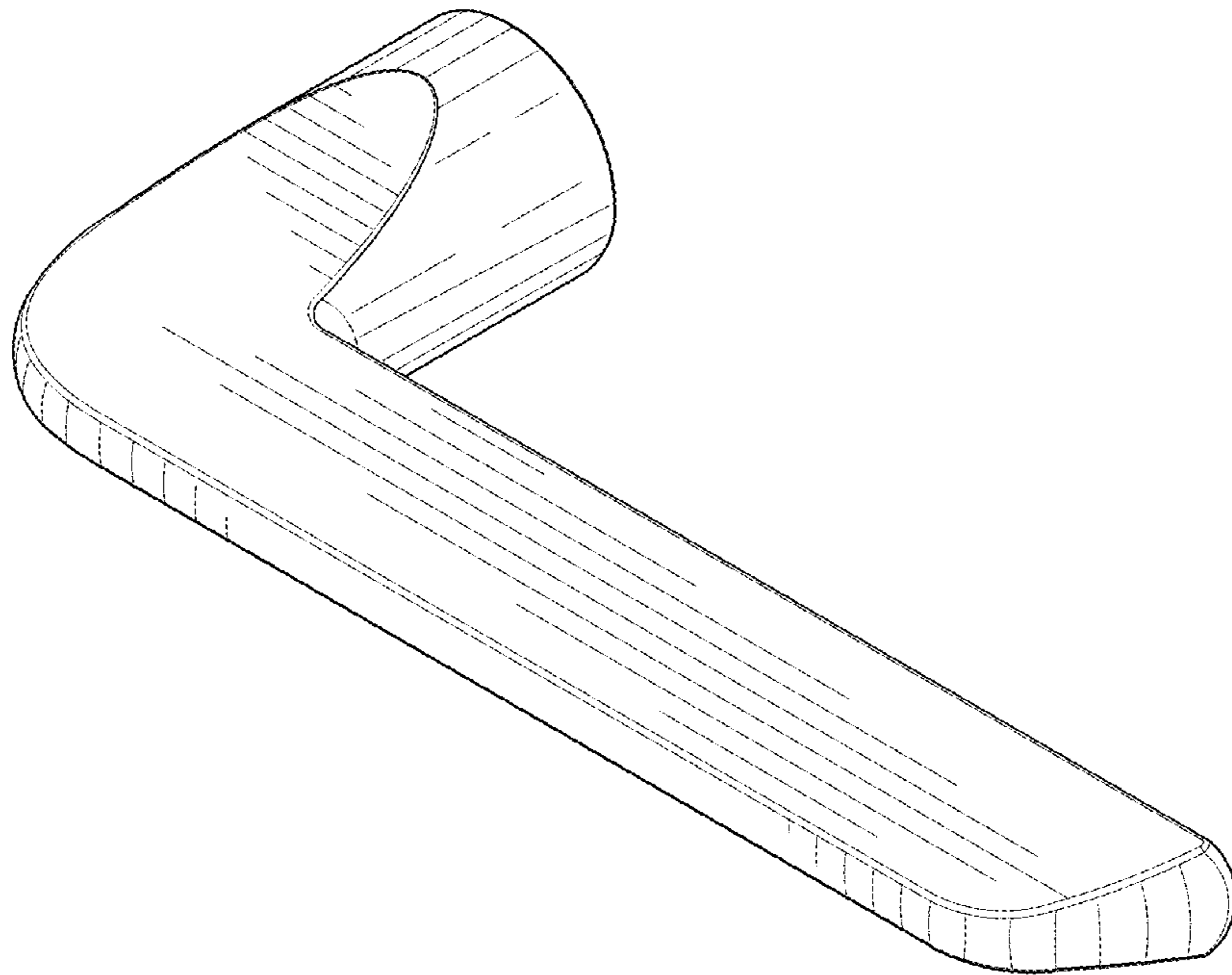


FIG.15

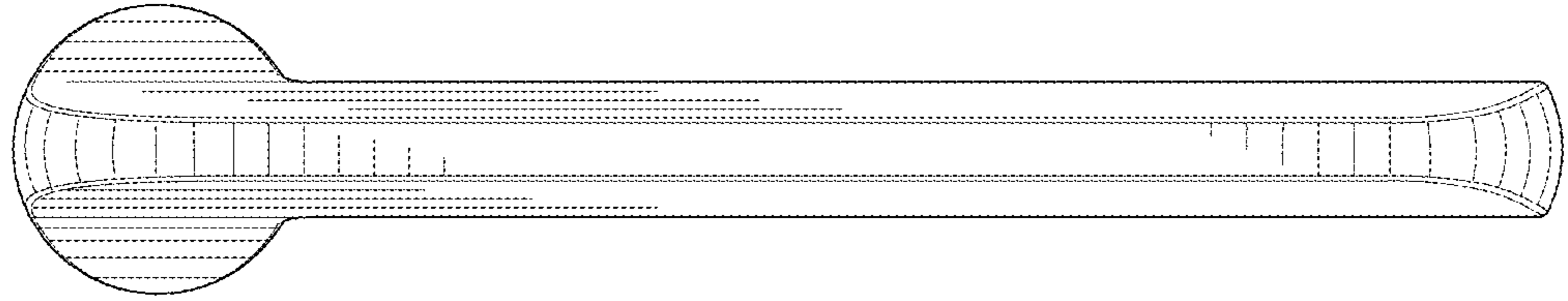


FIG.16

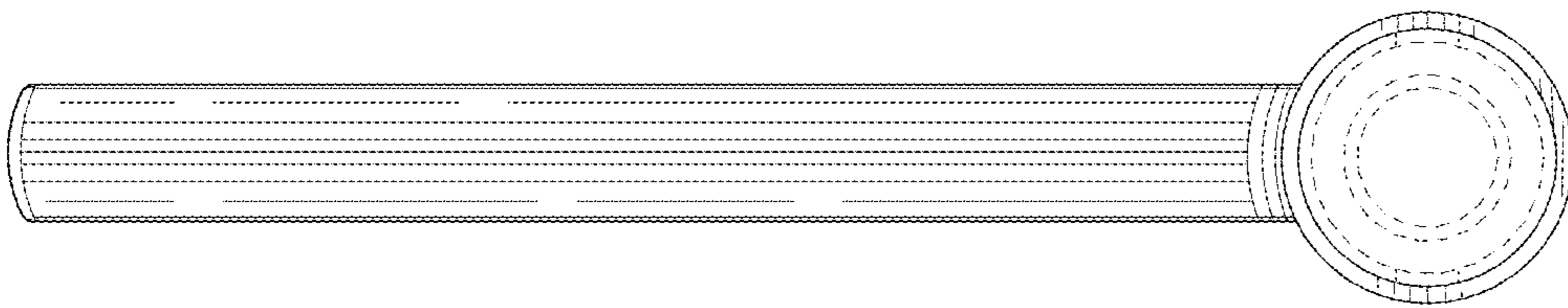


FIG.17



FIG.18

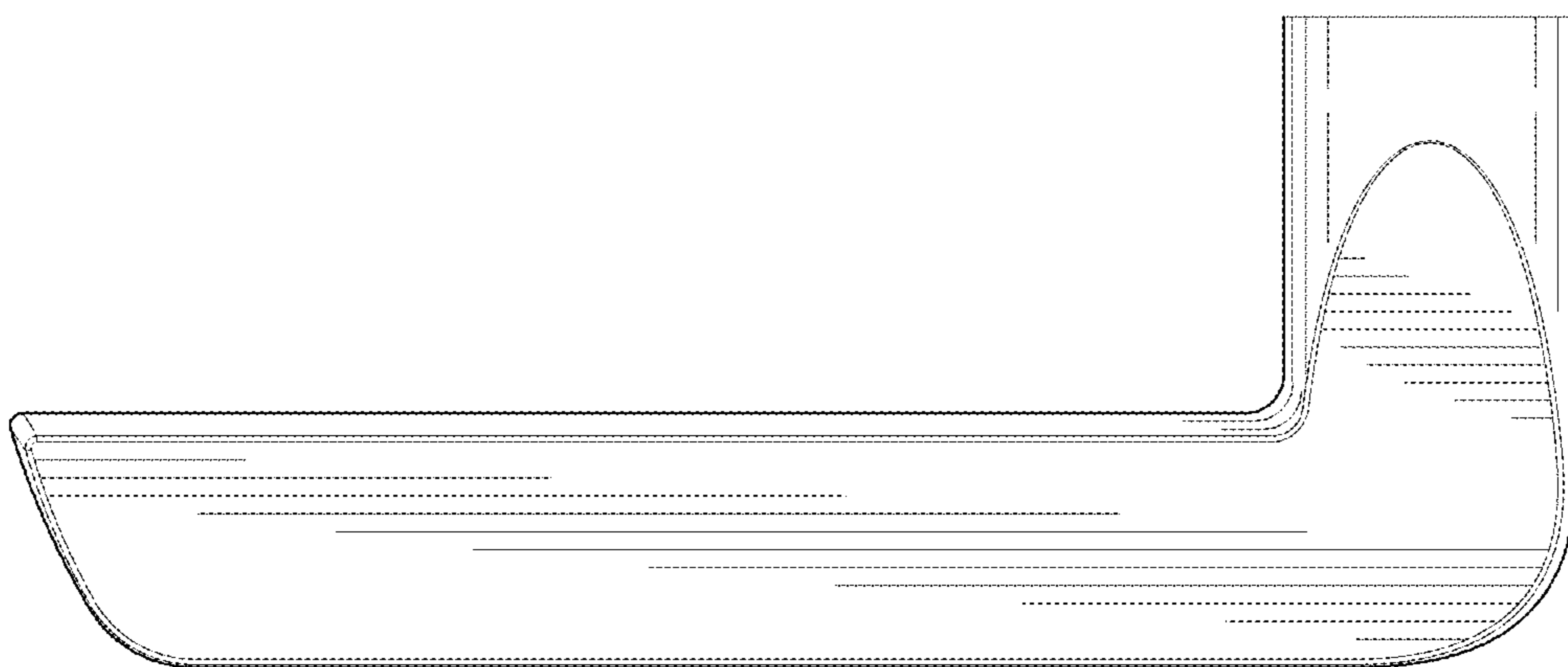


FIG.19

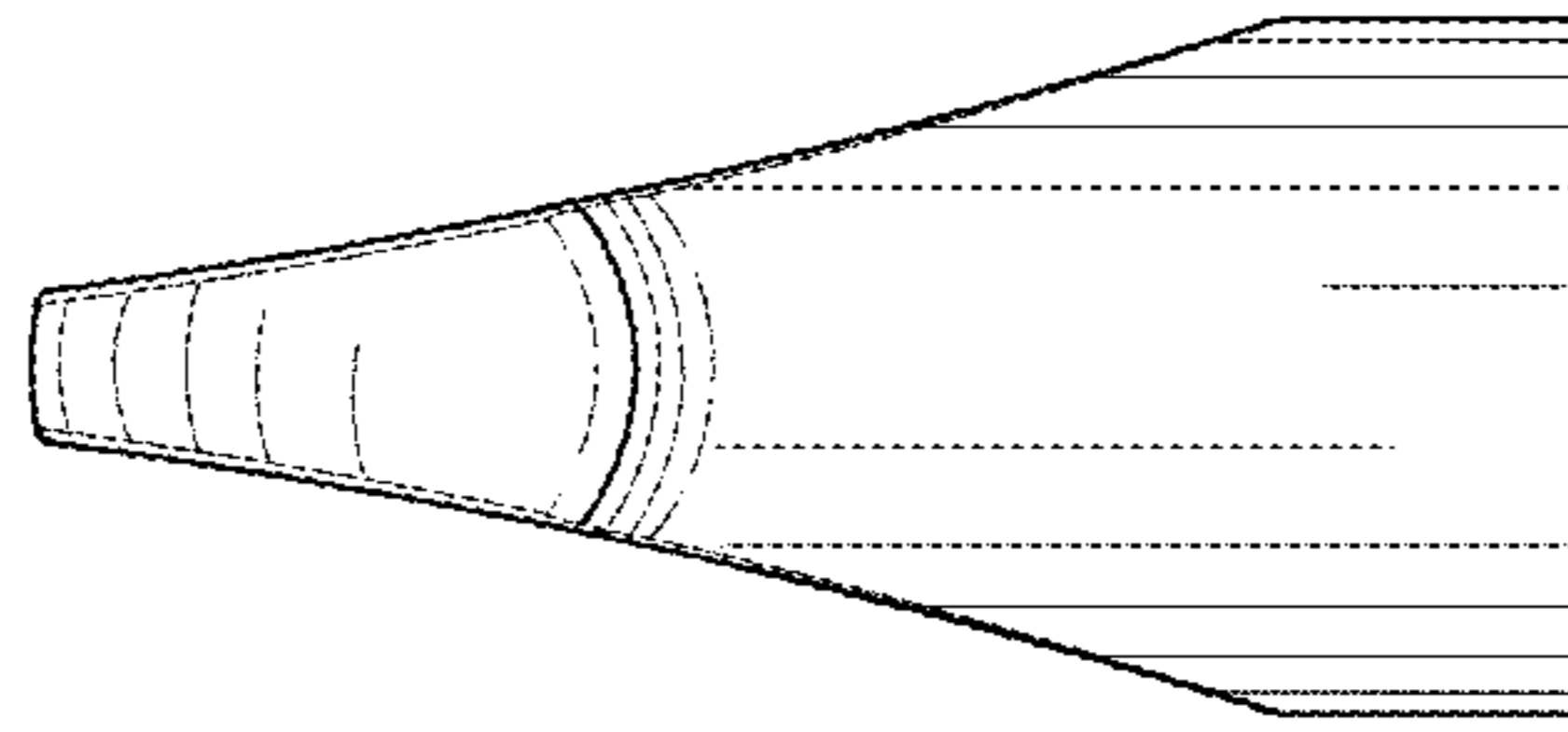


FIG.20

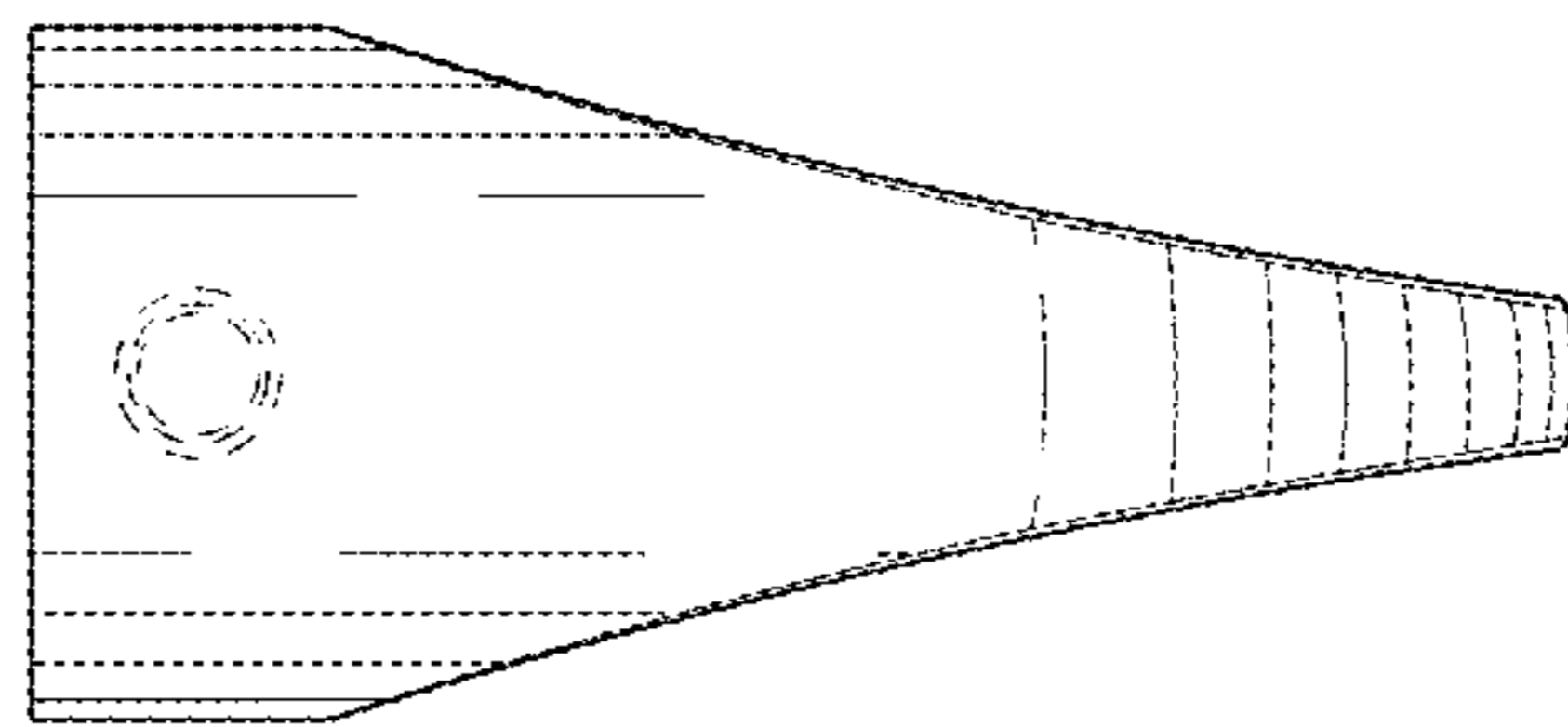


FIG.21