



US00D921469S

(12) **United States Design Patent**
Holsinger

(10) **Patent No.:** **US D921,469 S**
(45) **Date of Patent:** **** Jun. 8, 2021**

(54) **PUNCTURING TOOL** 5,431,283 A * 7/1995 Weinstein B65D 5/42
206/469
(71) Applicant: **KRATON POLYMERS LLC,** D369,949 S * 5/1996 Bocicaut D7/674
Houston, TX (US) 6,343,616 B1 * 2/2002 Houtchens F16L 41/06
137/318

(72) Inventor: **Roger Holsinger,** Belpre, OH (US) * cited by examiner

(73) Assignee: **Kraton Polymers LLC,** Houston, TX (US) *Primary Examiner* — Philip S Hyder

(**) Term: **15 Years**

(21) Appl. No.: **29/707,599**

(22) Filed: **Sep. 30, 2019**

(51) **LOC (13) Cl.** **08-03**

(52) **U.S. Cl.**
USPC **D8/98**

(58) **Field of Classification Search**
USPC D8/14, 51, 98; D7/674; D24/146
CPC A01G 24/026; Y10T 137/6109
See application file for complete search history.

(56) **References Cited**

U.S. PATENT DOCUMENTS

- 3,234,838 A * 2/1966 Faull B21D 28/28
83/454
- D245,827 S * 9/1977 Korpi D7/674
- 4,112,944 A * 9/1978 Williams A61B 17/122
137/318
- 4,852,769 A * 8/1989 Robertson B67B 7/28
222/83.5
- 5,398,718 A * 3/1995 Roinick, Sr. B25B 7/02
137/318

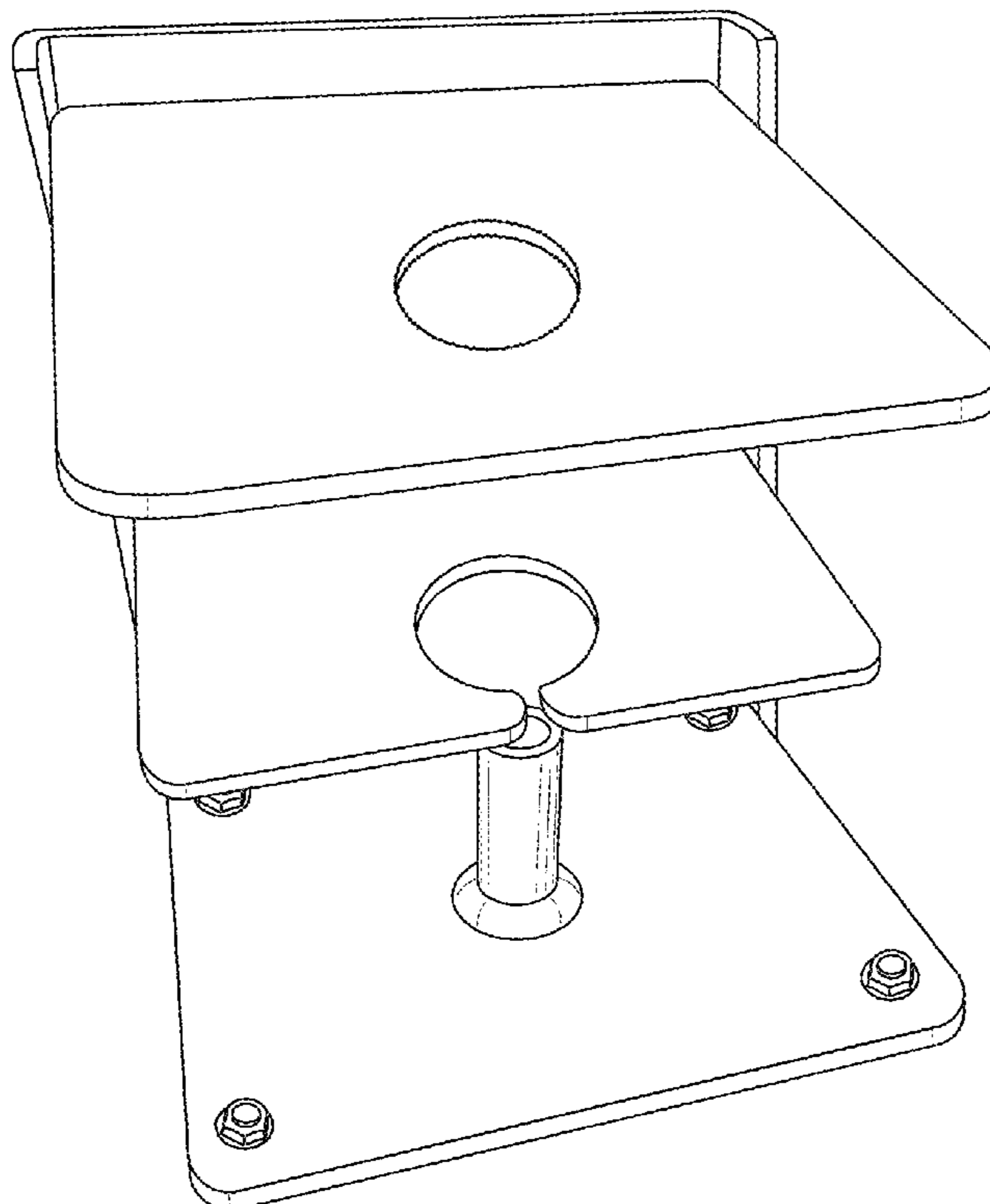
(57) **CLAIM**

The ornamental design for a puncturing tool, as shown and described.

DESCRIPTION

FIG. 1 is a perspective view of a first embodiment of a puncturing tool showing my new design;
FIG. 2 is a perspective view of a second embodiment thereof;
FIG. 3 is a perspective view of the first embodiment thereof in operation;
FIG. 4 is a top view of the first or second embodiments thereof; and,
FIG. 5 is a side view of the first or second embodiments thereof.
The ornamental design which is claimed is shown in solid lines in the drawings. Any broken lines in the drawings are for illustrative purposes only and form no part of the claimed design.

1 Claim, 5 Drawing Sheets



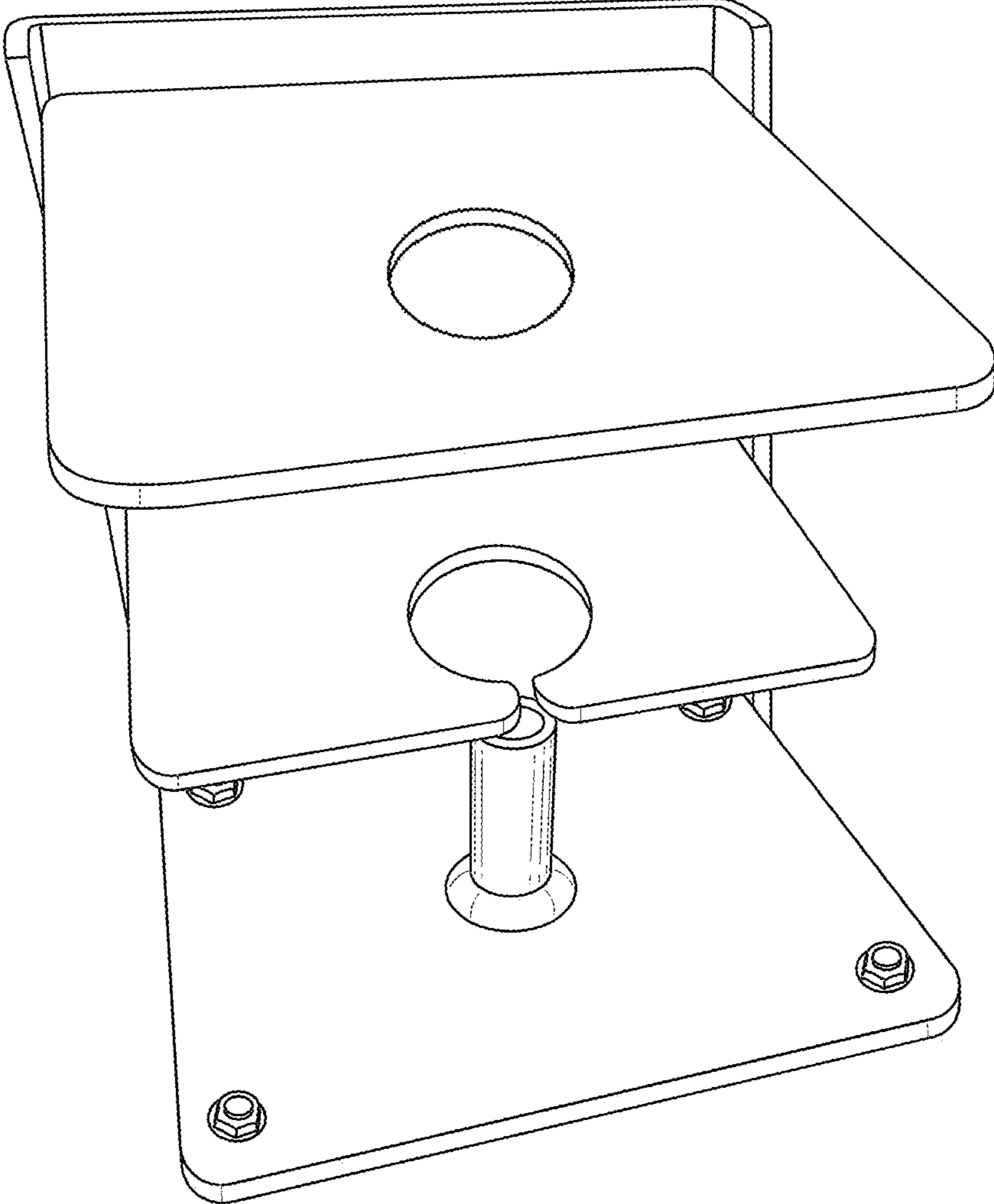


FIG. 1

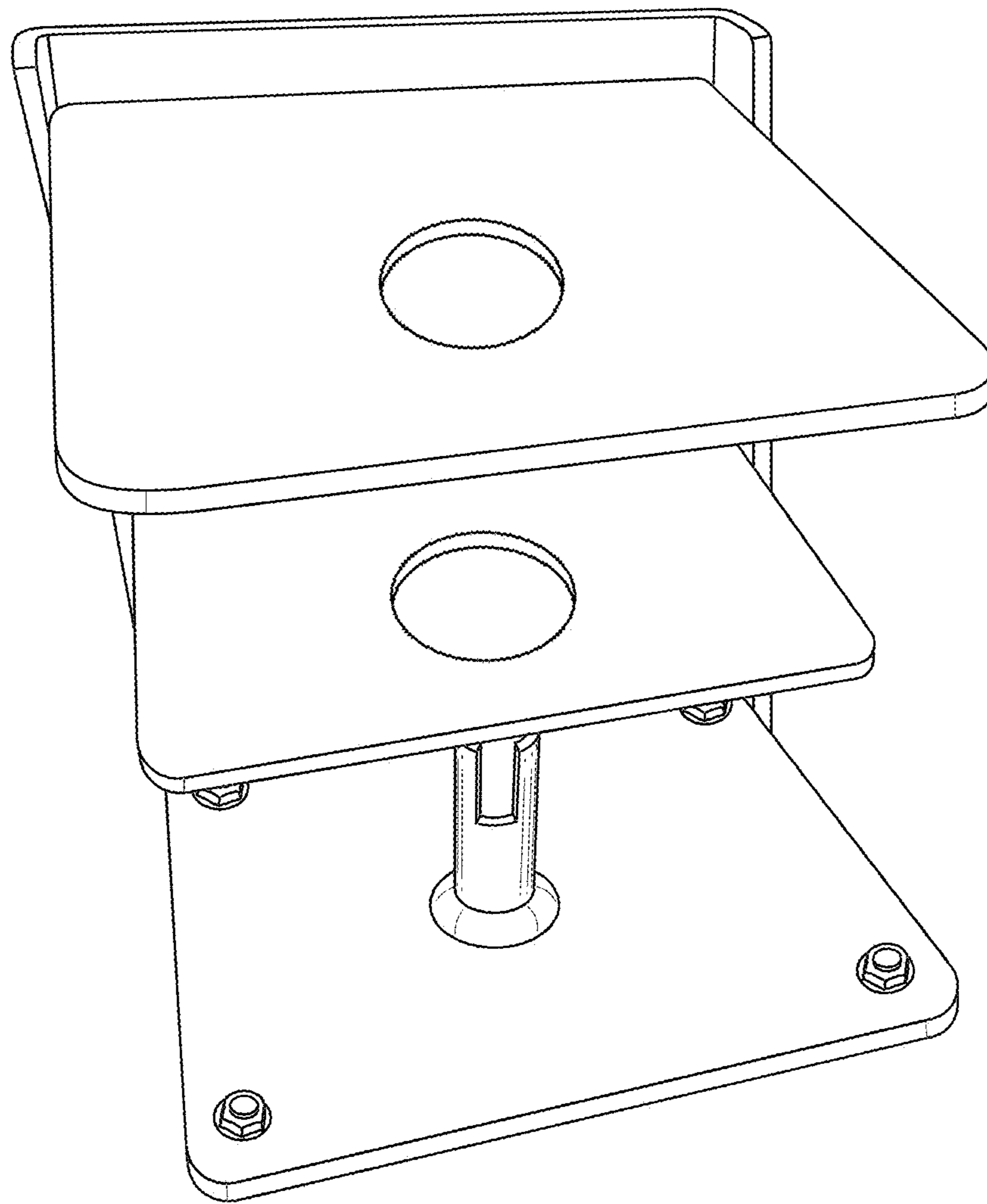


FIG. 2

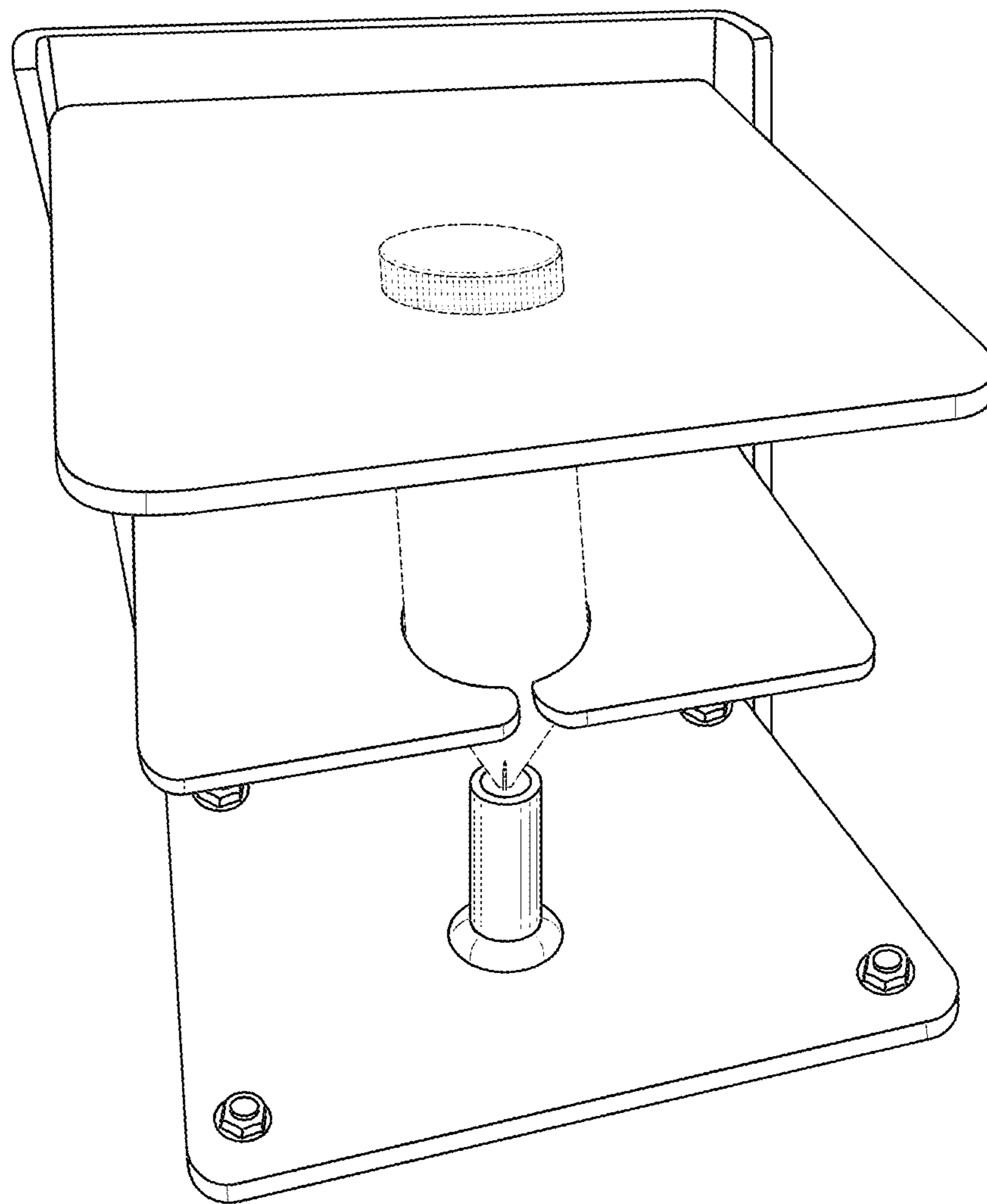


FIG. 3

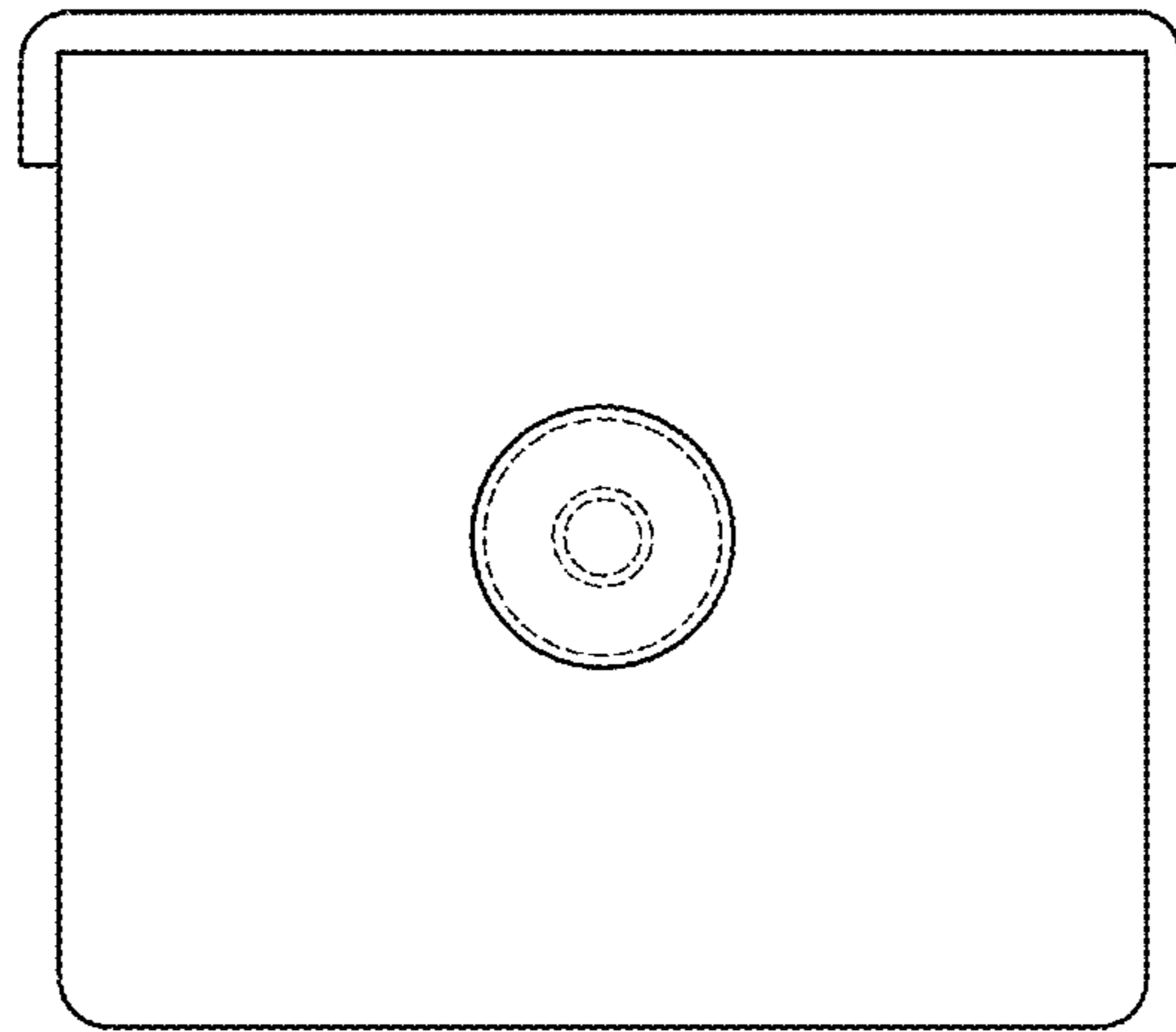


FIG. 4

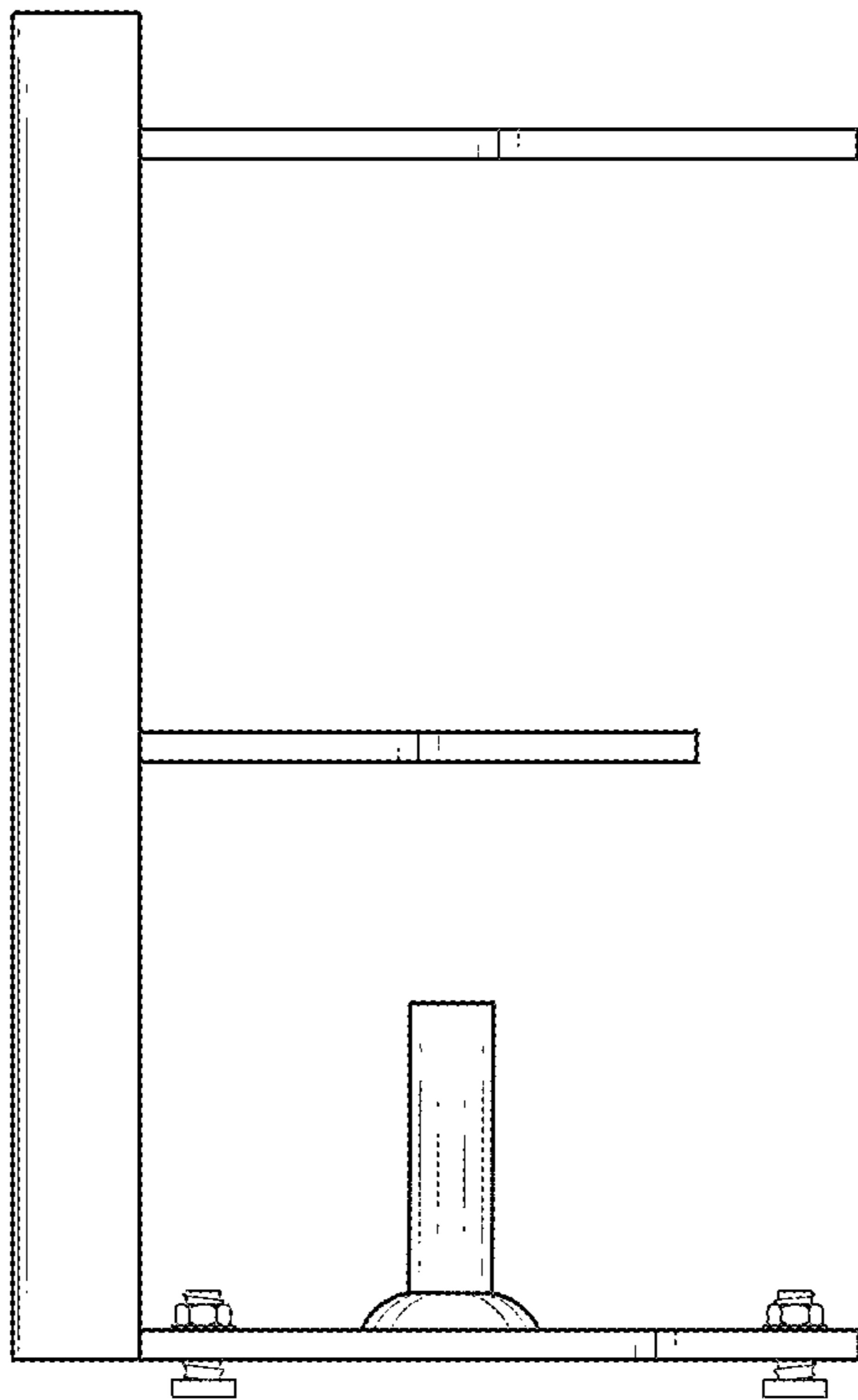


FIG. 5