



US00D921468S

(12) **United States Design Patent** (10) **Patent No.:** **US D921,468 S**  
**Zimmermann et al.** (45) **Date of Patent:** **\*\* Jun. 8, 2021**

(54) **DRIVER BIT**  
(71) Applicant: **MILWAUKEE ELECTRIC TOOL CORPORATION**, Brookfield, WI (US)

2,281,631 A 10/1940 West et al.  
D218,609 S 8/1941 Bakeman  
2,307,556 A 1/1943 Wileman  
(Continued)

(72) Inventors: **Michael J. Zimmermann**, New Berlin, WI (US); **James J. Van Essen**, Hales Corners, WI (US)

**FOREIGN PATENT DOCUMENTS**

CN 201070753 6/2008  
DE 2231949 2/1973  
(Continued)

(73) Assignee: **MILWAUKEE ELECTRIC TOOL CORPORATION**, Brookfield, WI (US)

**OTHER PUBLICATIONS**

(\*\*) Term: **15 Years**

Vessel, "Problem Solvers are ready to go!" catalog, 5 pages, printed from web site www.vessel.jp/online/pro\_b\_bit.html on Sep. 11, 2008.

(21) Appl. No.: **29/659,603**

(Continued)

(22) Filed: **Aug. 10, 2018**

(51) **LOC (13) Cl.** ..... **08-04**

*Primary Examiner* — Wan Laymon

(52) **U.S. Cl.**  
USPC ..... **D8/86**

(74) *Attorney, Agent, or Firm* — Michael Best & Friedrich LLP

(58) **Field of Classification Search**  
USPC ..... D8/82–86; 81/436, 438–441, 460  
CPC ... B25B 15/001; B25B 15/002; B25B 15/004;  
B25B 15/005; B25B 15/007  
See application file for complete search history.

(57) **CLAIM**

We claim the ornamental design for a driver bit, as shown and described.

(56) **References Cited**

**DESCRIPTION**

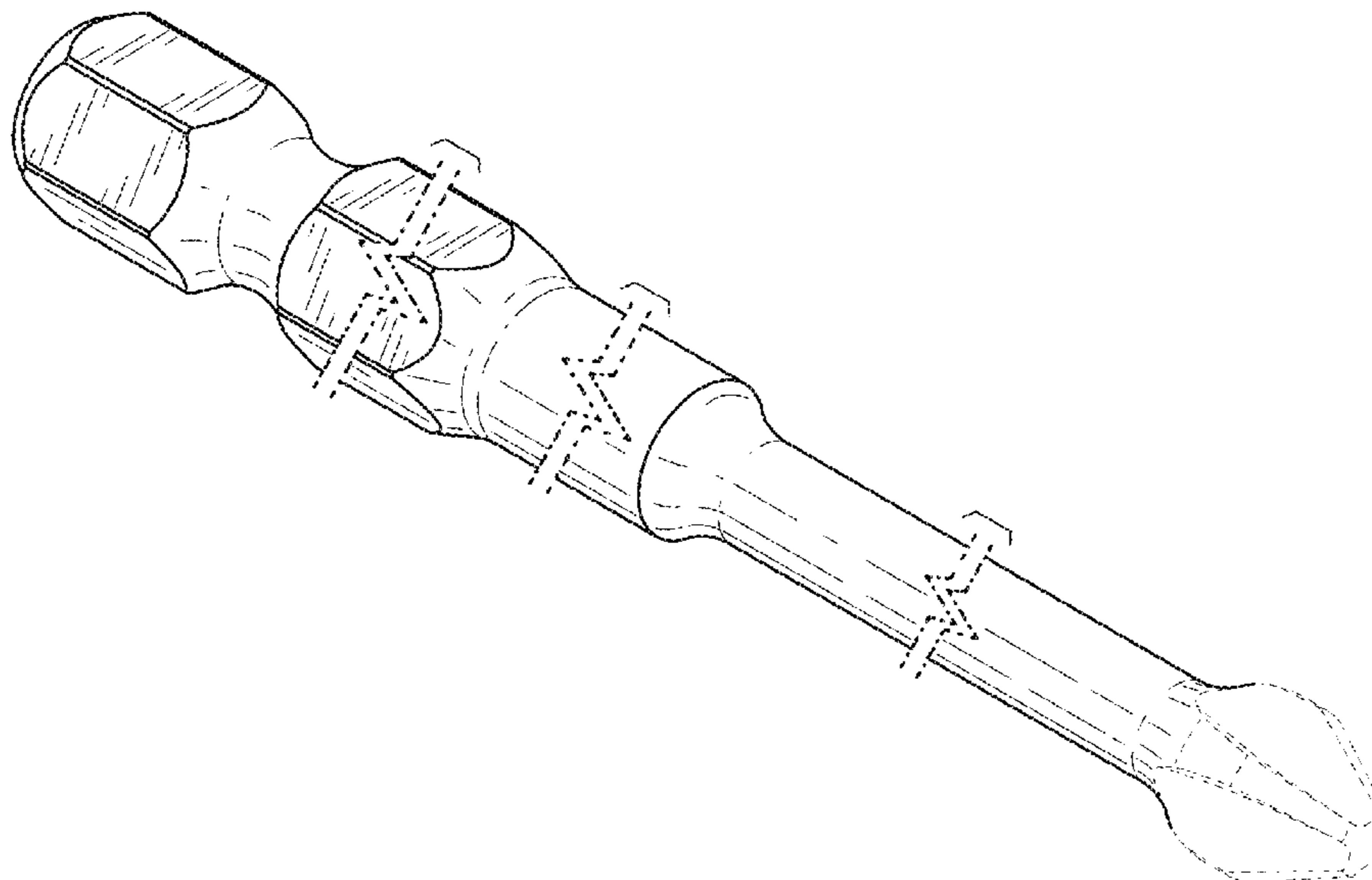
**U.S. PATENT DOCUMENTS**

442,710 A 12/1890 Marsh  
896,443 A 10/1907 Lund  
876,675 A 1/1908 Albrecht  
925,115 A 6/1909 Loewenberg  
D59,417 S 10/1921 Graham  
1,645,672 A 10/1927 Van Saun  
1,776,525 A 9/1930 Talbot  
1,923,132 A 8/1933 Witkin  
1,932,113 A 10/1933 Long  
1,979,460 A 11/1934 Forsberg  
1,984,839 A 12/1934 Murray  
2,010,616 A 8/1935 Walsh  
2,022,703 A 12/1935 Banner  
2,216,382 A 10/1940 West et al.

FIG. 1 is a perspective view of a driver bit embodying the invention.

FIG. 2 is a first side view of the driver bit of FIG. 1.  
FIG. 3 is a second side view of the driver bit of FIG. 1.  
FIG. 4 is a first end view of the driver bit and of FIG. 1.  
FIG. 5 is a second end view of the driver bit of FIG. 1.  
FIG. 6 is a top view of the driver bit of FIG. 1; and,  
FIG. 7 is a bottom view of the driver bit of FIG. 1.  
Portions of the driver bit shown in broken lines form no part of the claimed design. The broken away symbols in the drawings indicate that any portion of the article beyond what is shown forms no part of the claimed design.

**1 Claim, 3 Drawing Sheets**



(56)

References Cited

U.S. PATENT DOCUMENTS

2,366,682 A	1/1945	West et al.	5,152,642 A	10/1992	Pitts et al.
2,400,684 A	5/1946	Clark	5,176,050 A	1/1993	Sauer et al.
2,410,971 A	11/1946	Hartley	5,180,042 A	1/1993	Ogiso
2,417,225 A	3/1947	West et al.	5,182,973 A	2/1993	Martindell
2,445,978 A	7/1948	Stellin	5,199,336 A	4/1993	Wuilmart
D150,800 S	8/1948	Magnus, Jr.	5,228,250 A	7/1993	Kesselman
2,515,839 A	7/1950	Robertson	5,262,122 A	11/1993	Weich, Jr.
2,522,996 A	9/1950	Cone	5,295,423 A	3/1994	Mikic
2,523,041 A	9/1950	McKenzie	5,295,831 A	3/1994	Patterson et al.
2,537,029 A	1/1951	Cambern	5,299,474 A	4/1994	Hohmann et al.
2,592,978 A	4/1952	Trimboli	5,330,230 A	7/1994	Craig
2,621,688 A	12/1952	Wales	5,332,537 A	7/1994	Hens et al.
2,804,894 A	9/1957	Rosenburg	RE34,680 E	8/1994	Lieser
2,820,382 A	1/1958	Smith	5,338,508 A	8/1994	Nitta et al.
2,833,548 A	5/1958	Clark	D350,685 S	9/1994	Perkins et al.
2,964,931 A	12/1960	Sorenson	5,353,667 A	10/1994	Wilner
2,969,660 A	1/1961	Dale et al.	5,370,021 A	12/1994	Shigematsu
3,129,571 A	4/1964	Reynolds	5,380,476 A	1/1995	Matsushita et al.
3,151,512 A	10/1964	Charczenko	5,397,531 A	3/1995	Peiris et al.
3,213,719 A	10/1965	Kloack	D359,335 S	6/1995	Cartwright
3,237,741 A	3/1966	Potter et al.	5,535,867 A	7/1996	Coccaro et al.
3,253,626 A	5/1966	Stillwagon, Jr. et al.	5,613,183 A	3/1997	Weich, Jr.
3,331,267 A	7/1967	Tietge	5,619,882 A	4/1997	Godtner
3,387,669 A	6/1968	Wise, Jr. et al.	5,627,258 A	5/1997	Takayama et al.
3,392,793 A	7/1968	Pauley	5,641,920 A	6/1997	Hens et al.
3,393,722 A	7/1968	Windham	5,676,421 A	10/1997	Brodsky
3,419,135 A	12/1968	Millner	5,704,261 A	1/1998	Strauch et al.
3,592,087 A	7/1971	Pauley	5,791,212 A	8/1998	Han
3,703,916 A	11/1972	Sundsten et al.	5,819,606 A	10/1998	Arnold
3,753,625 A	8/1973	Fabrizo et al.	5,830,287 A	11/1998	Pinnow et al.
3,888,144 A	6/1975	Parsons	5,868,047 A *	2/1999	Faust ..... B25B 15/002 81/438
3,891,017 A	6/1975	Iskra	D410,372 S	6/1999	Strauch
3,916,736 A	11/1975	Clemens	5,950,063 A	9/1999	Hens et al.
3,969,810 A	7/1976	Pagano	5,953,969 A	9/1999	Rosenhan
3,985,170 A	10/1976	Iskra	5,957,012 A	9/1999	McCune
4,037,515 A	7/1977	Kesselman	5,984,596 A	11/1999	Fehrle et al.
4,092,753 A	6/1978	Fuhrmann	6,019,022 A	2/2000	Dotson
4,096,896 A	6/1978	Engel	6,032,556 A	3/2000	Hu
4,105,056 A	8/1978	Arnn	6,047,618 A	4/2000	Pieri
4,197,118 A	4/1980	Weich, Jr.	6,051,184 A	4/2000	Kankawa
4,215,600 A	8/1980	Kesselman	6,082,227 A	7/2000	Vogel
4,246,811 A	1/1981	Bondhus et al.	6,089,133 A	7/2000	Liao
4,399,723 A	8/1983	Marleau	6,093,761 A	7/2000	Schofalvi
4,409,867 A	10/1983	Lyden	RE36,797 E	8/2000	Eggert et al.
4,573,839 A	3/1986	Finnegan	6,098,499 A	8/2000	Pool
4,680,996 A	7/1987	Gold	D431,768 S	10/2000	Feik
4,692,073 A	9/1987	Martindell	6,138,539 A	10/2000	Carchidi et al.
4,705,124 A	11/1987	Abrahamson et al.	6,193,242 B1	2/2001	Robison
4,710,223 A	12/1987	Matejczyk	6,204,316 B1	3/2001	Schofalvi
4,737,332 A	4/1988	Miyashita et al.	6,234,660 B1	5/2001	Hullmann et al.
4,765,950 A	8/1988	Johnson	D445,325 S	7/2001	Fruhm
4,782,574 A	11/1988	Karcher et al.	6,257,098 B1	7/2001	Cirone
4,795,598 A	1/1989	Billiet	6,302,001 B1	10/2001	Karle
4,800,786 A	1/1989	Arnold et al.	6,308,598 B1	10/2001	O'Neil
4,825,732 A	5/1989	Arnold et al.	6,332,384 B1	12/2001	Cluthe
4,833,951 A	5/1989	Karcher et al.	6,345,560 B1	2/2002	Strauch et al.
4,836,059 A	6/1989	Arnold	6,352,011 B1	3/2002	Fruhm
4,838,361 A	6/1989	O'Toole	D455,627 S	4/2002	Song
4,852,196 A	8/1989	Martindell	D455,943 S	4/2002	Lin
4,884,478 A	12/1989	Lieser	6,376,585 B1	4/2002	Schofalvi et al.
4,936,170 A	6/1990	Zumeta	6,393,950 B1	5/2002	Crosser
4,943,403 A	7/1990	Miyashita et al.	6,435,065 B2	8/2002	Kozak et al.
4,947,713 A	8/1990	Arnold	D462,596 S	9/2002	Fruhm
4,964,907 A	10/1990	Kiyota et al.	6,490,950 B2	12/2002	Ray et al.
4,982,627 A	1/1991	Johnson	6,520,055 B1	2/2003	Reusch et al.
5,009,841 A	4/1991	Bloemacher et al.	6,537,487 B1	3/2003	Kuhns
5,012,708 A	5/1991	Martindell	6,547,210 B1	4/2003	Marx et al.
5,012,709 A	5/1991	Sundsten et al.	6,547,562 B2	4/2003	Kumar
5,028,367 A	7/1991	Wei et al.	6,666,258 B1	12/2003	Kono
5,031,488 A	7/1991	Zumeta	6,701,814 B2	3/2004	Porkapile
5,059,387 A	10/1991	Brasel	6,733,896 B2	5/2004	Dolan et al.
5,070,750 A	12/1991	Jones et al.	6,761,093 B2	7/2004	Chang
5,079,978 A	1/1992	Kupfer	6,792,831 B2	9/2004	Crosser
5,122,326 A	6/1992	Jackson et al.	6,883,405 B2	4/2005	Strauch
5,140,877 A	8/1992	Sloan	6,988,859 B2	1/2006	Borschert et al.
			7,010,998 B2	3/2006	Ying-Hao
			7,028,588 B2	4/2006	Shih
			7,107,882 B1	9/2006	Chang



(56)

References Cited

U.S. PATENT DOCUMENTS

7,117,765 B1 10/2006 Wallden  
 7,143,670 B2 12/2006 Geary  
 7,159,493 B1 1/2007 Huang  
 7,168,348 B2 1/2007 Holland-Letz  
 7,188,556 B1 3/2007 Rinner  
 7,261,023 B2 8/2007 Taguchi  
 7,331,263 B2 2/2008 Erickson et al.  
 7,437,979 B1 10/2008 Wang  
 D596,003 S 6/2009 Collier  
 D600,525 S 9/2009 Meng  
 7,581,470 B1 9/2009 Huang  
 7,662,338 B2 2/2010 Tanaka  
 7,814,815 B2 10/2010 Chen  
 D631,723 S \* 2/2011 DeBaker ..... D8/86  
 7,882,908 B2 2/2011 Koch et al.  
 7,959,706 B2 6/2011 Tanaka  
 D646,138 S \* 10/2011 Hsu ..... D8/86  
 D646,139 S 10/2011 Hsu  
 D646,547 S \* 10/2011 DeBaker ..... B25B 15/008  
 D8/86  
 8,028,608 B2 10/2011 Sixto, Jr. et al.  
 8,047,260 B2 11/2011 Uno et al.  
 8,052,156 B2 \* 11/2011 Chen ..... B25B 23/0035  
 81/438  
 8,418,587 B2 \* 4/2013 DeBaker ..... B25B 15/005  
 81/436  
 8,468,913 B1 6/2013 Bond  
 8,752,455 B1 6/2014 Taylor, Jr.  
 8,800,407 B2 \* 8/2014 DeBaker ..... B25B 15/002  
 76/108.1  
 8,955,418 B2 2/2015 Peters et al.  
 D725,984 S \* 4/2015 Moss ..... D8/86  
 D726,521 S \* 4/2015 Moss ..... D8/86  
 D752,408 S \* 3/2016 Moss ..... D8/86  
 10,022,845 B2 \* 7/2018 Neitzell ..... B25B 15/005  
 2001/0001892 A1 5/2001 Hu  
 2002/0046629 A1 4/2002 Borschert et al.  
 2002/0060206 A1 5/2002 Katayama et al.  
 2004/0007095 A1 1/2004 Meng  
 2004/0099106 A1 5/2004 Strauch et al.  
 2005/0028651 A1 2/2005 Crosser  
 2005/0076749 A1 4/2005 Liu  
 2005/0087045 A1 4/2005 Gryciuk et al.  
 2005/0227772 A1 10/2005 Kletecka et al.  
 2006/0027054 A1 2/2006 Wang  
 2006/0130621 A1 6/2006 Novak et al.  
 2006/0230887 A1 10/2006 Taguchi  
 2006/0266163 A1 11/2006 Crosser  
 2006/0286506 A1 12/2006 Birnholtz  
 2007/0028728 A1 2/2007 Griffiths  
 2007/0131065 A1 6/2007 Shih  
 2007/0207715 A1 9/2007 Webb  
 2007/0227314 A1 10/2007 Erickson et al.  
 2008/0034928 A1 2/2008 Sheu  
 2008/0047401 A1 2/2008 Lu  
 2008/0087142 A1 4/2008 Lin  
 2008/0216616 A1 9/2008 Hsieh  
 2008/0295650 A1 12/2008 Hsieh  
 2010/0139099 A1 6/2010 Blaauw  
 2010/0154587 A1 6/2010 Eason  
 2010/0192736 A1 8/2010 Burch et al.  
 2010/0269264 A1 10/2010 Huang  
 2010/0275741 A1 11/2010 Lai  
 2010/0288086 A1 11/2010 Huang  
 2010/0307298 A1 \* 12/2010 Lai ..... B25B 23/005  
 81/442

2011/0189046 A1 8/2011 Bruhn et al.  
 2011/0266068 A1 11/2011 Eason et al.  
 2011/0283842 A1 11/2011 Lai  
 2011/0315456 A1 12/2011 Lyons  
 2012/0003056 A1 1/2012 Jaeger  
 2013/0129435 A1 5/2013 Ortlund et al.  
 2013/0145903 A1 6/2013 DeBaker  
 2014/0318328 A1 10/2014 DeBaker  
 2015/0196995 A1 7/2015 Neitzell  
 2018/0311799 A1 \* 11/2018 Hsu ..... B25B 15/005  
 2020/0055166 A1 \* 2/2020 Van Essen ..... B25B 15/002  
 2020/0406433 A1 \* 12/2020 Van Essen ..... B25B 15/002

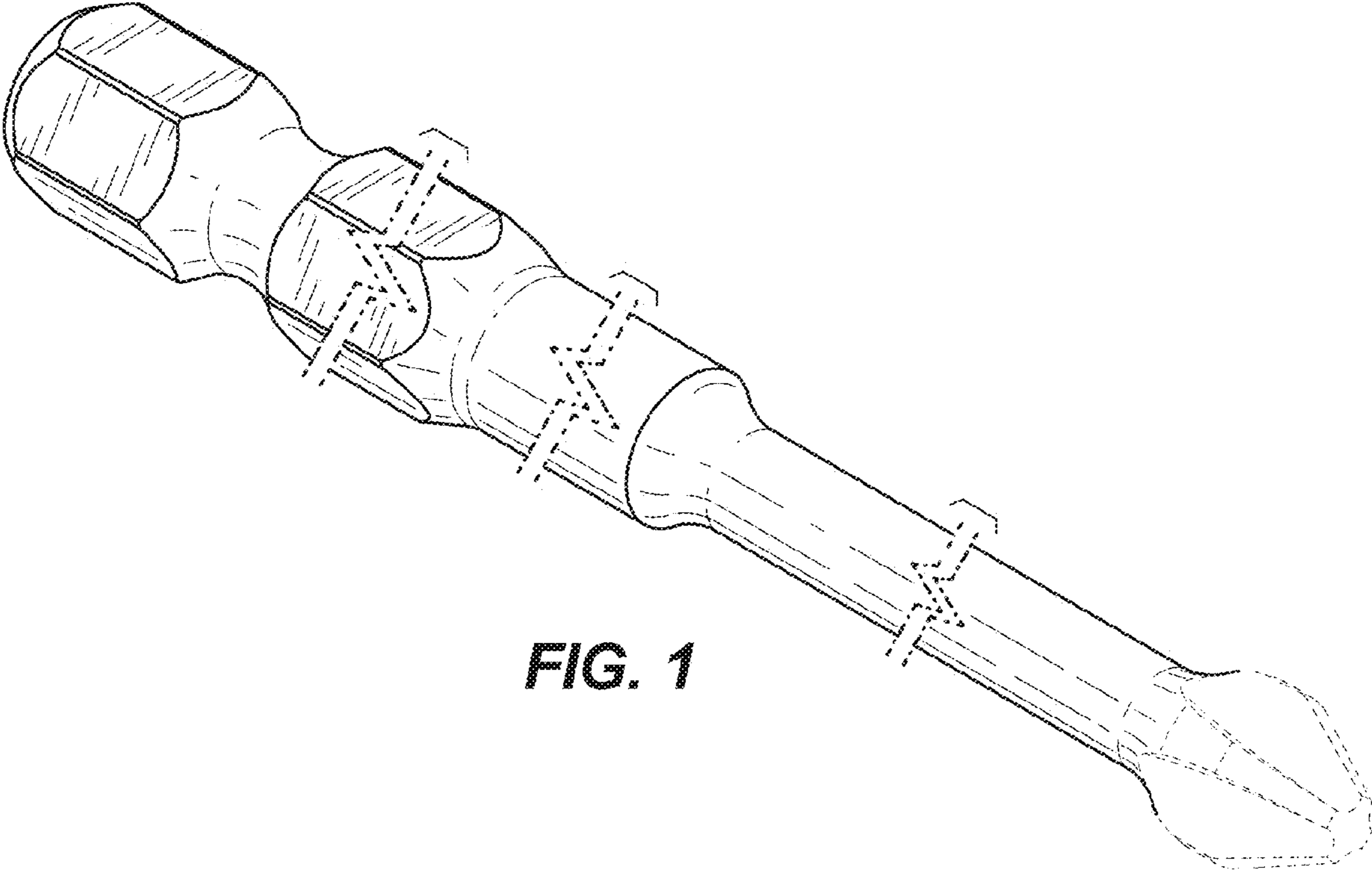
FOREIGN PATENT DOCUMENTS

DE 3907567 9/1989  
 DE 4207964 9/1993  
 DE 19614961 2/1997  
 DE 19622846 12/1997  
 DE 19628901 1/1998  
 DE 10123407 1/2002  
 DE 10144990 2/2003  
 EP 46209 9/1986  
 EP 221279 5/1987  
 EP 279899 8/1988  
 EP 467232 1/1992  
 EP 610693 8/1994  
 GB 963097 7/1964  
 GB 1476441 6/1977  
 JP 2000006037 1/2000  
 JP 2000167775 6/2000  
 JP 2000167776 6/2000  
 JP 2000198081 7/2000  
 JP 3285823 5/2002  
 JP 2003183761 A 7/2003  
 JP 2004142005 5/2004  
 JP 2004202665 7/2004  
 JP 2004237420 8/2004  
 JP 2005254406 9/2005  
 JP 2005254407 9/2005  
 JP 2006051563 2/2006  
 JP 2007111790 5/2007  
 JP 2008093799 4/2008  
 JP 2014223711 A 12/2014  
 WO 8908536 9/1989  
 WO 9004498 5/1990  
 WO 9414576 7/1994  
 WO 9415755 7/1994  
 WO 9630167 10/1996  
 WO 9912145 3/1999  
 WO 2006094940 9/2006  
 WO 2006100283 9/2006  
 WO 2009029993 3/2009

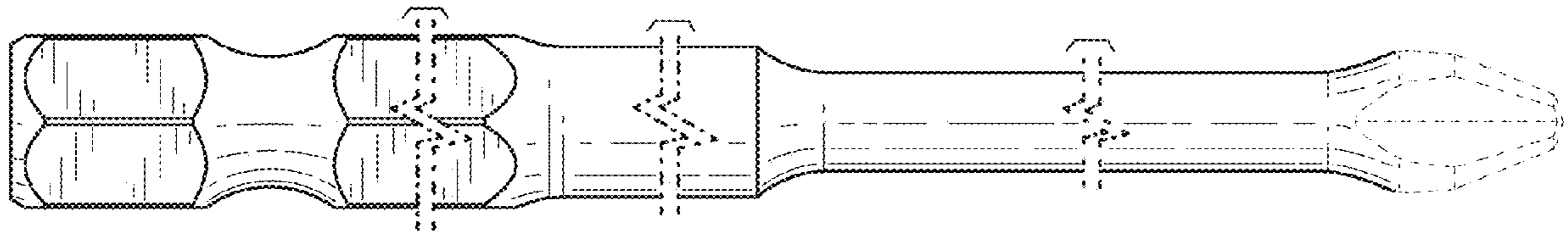
OTHER PUBLICATIONS

Robert Bosch Power Tool Corporation, catalog, 1982, 3 pages.  
 Black & Decker, Catalog 1(K), Sep. 26, 1960, 4 pages.  
 Black & Decker, catalog, 1947, 4 pages.  
 PCT/US2009/063515 International Search Report and Written Opinion dated Dec. 23, 2009 (10 pages).  
 Wera Tools, Bit Checks Bit and holder sets in a extremely compact format, <[http://www-us.wera.de/product\\_detail\\_us.html?L=1&file=root\\_category\\_tools\\_for\\_power\\_use\\_bit\\_sets\\_bit-checks\\_8700-9\\_ph\\_btz&lang=en-US](http://www-us.wera.de/product_detail_us.html?L=1&file=root_category_tools_for_power_use_bit_sets_bit-checks_8700-9_ph_btz&lang=en-US)> webpage accessed Jan. 12, 2015, 2 pages.  
 International Search Report and Written Opinion for Application No. PCT/US2018/063677 dated Mar. 22, 2019 (13 pages).

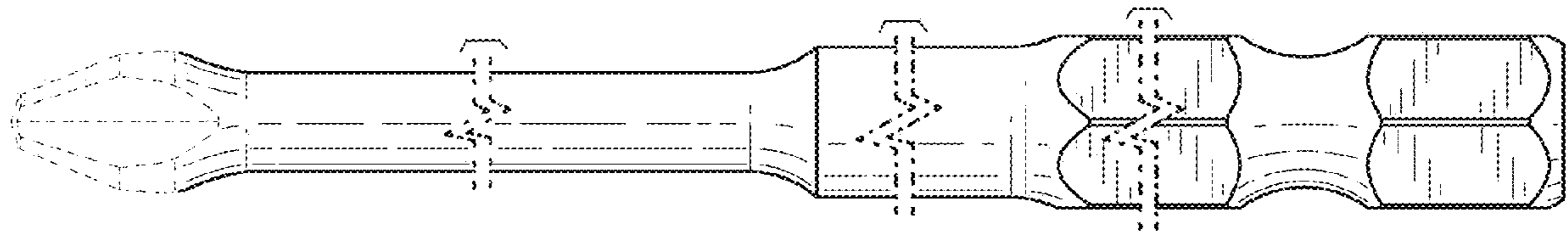
\* cited by examiner



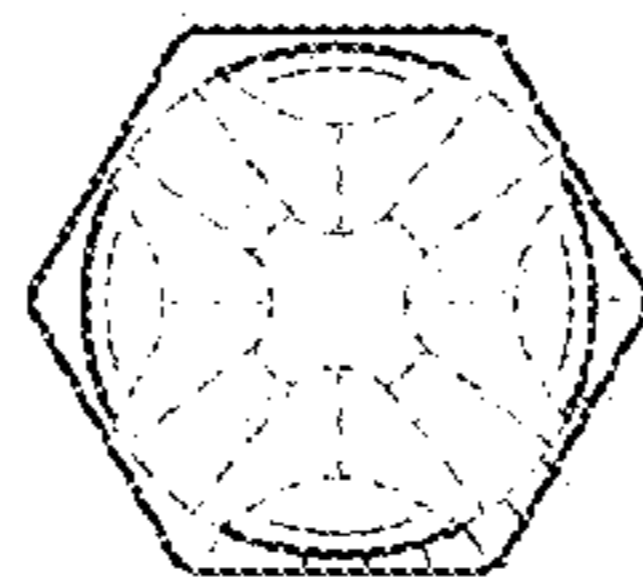
**FIG. 1**



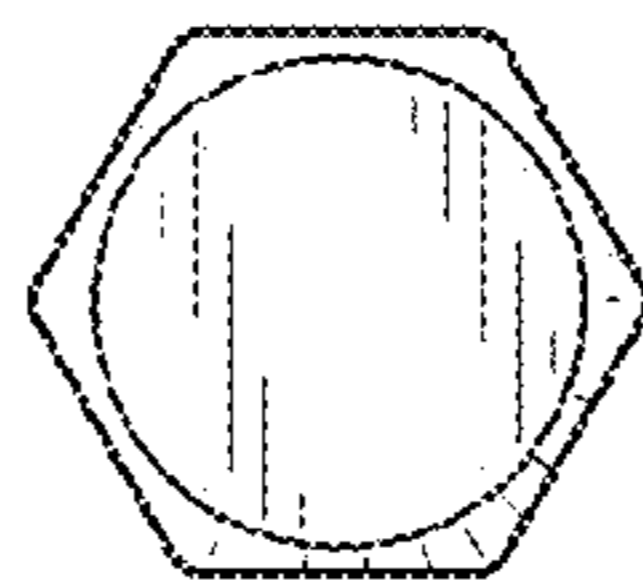
**FIG. 2**



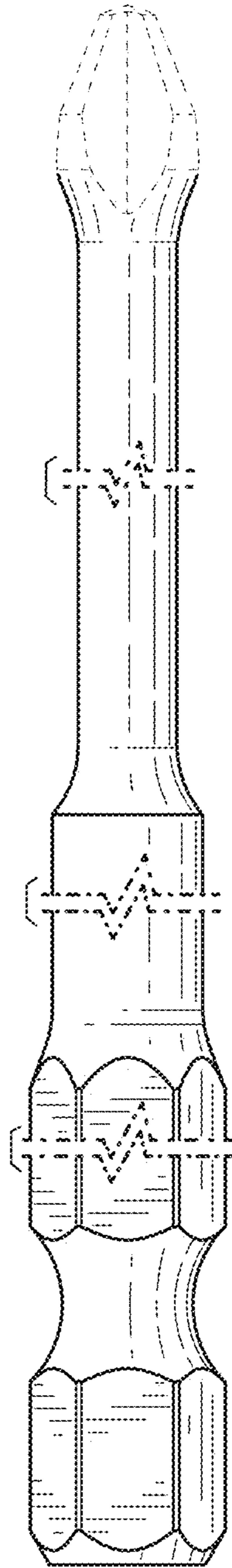
**FIG. 3**



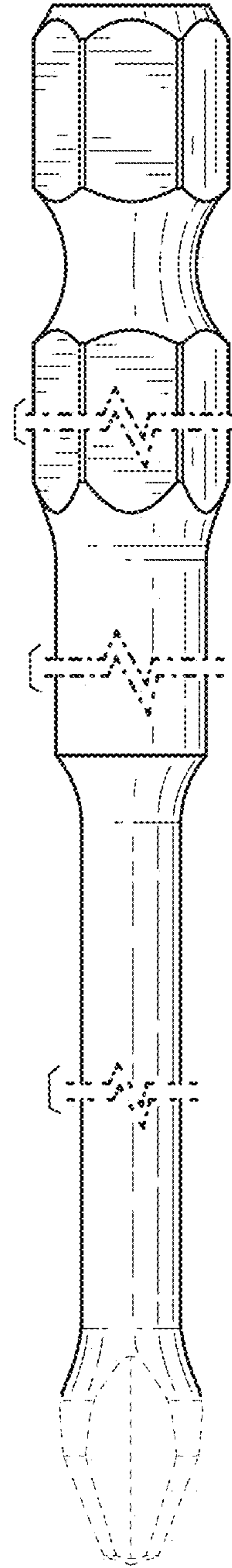
**FIG. 4**



**FIG. 5**



**FIG. 6**



**FIG. 7**