



US00D921467S

(12) **United States Design Patent**  
**Fiegenger et al.**

(10) **Patent No.:** **US D921,467 S**

(45) **Date of Patent:** **\*\* Jun. 8, 2021**

(54) **WISE WITH BI-DIRECTIONAL ARMS**

(71) Applicants: **Andrew P. Fiegenger**, Claremore, OK  
(US); **Sarah R. Fiegenger**, Claremore,  
OK (US)

(72) Inventors: **Andrew P. Fiegenger**, Claremore, OK  
(US); **Sarah R. Fiegenger**, Claremore,  
OK (US)

(\*\*) Term: **15 Years**

(21) Appl. No.: **29/686,305**

(22) Filed: **Apr. 3, 2019**

(51) **LOC (13) Cl.** ..... **08-05**

(52) **U.S. Cl.**  
USPC ..... **D8/74**

(58) **Field of Classification Search**  
USPC ..... D8/71-74, 394-399, 59; 248/63, 72,  
248/74.1, 689, 124.2; 81/487, 385, 386,  
81/388-390; 269/3, 4, 6, 143, 165, 240,  
269/243, 246-249, 254 R, 147-149;  
29/256, 257, 276; 408/103, 104-109  
CPC ..... B25B 1/00; B25B 5/00  
See application file for complete search history.

(56) **References Cited**

**U.S. PATENT DOCUMENTS**

D276,308 S \* 11/1984 Morriss, Jr. .... D8/394  
D282,143 S \* 1/1986 Tarquinio ..... D8/74

4,613,120 A \* 9/1986 Kozar ..... B25B 1/22  
269/152  
4,619,446 A \* 10/1986 Yang ..... B23D 47/02  
269/147  
4,691,907 A \* 9/1987 Yang ..... B25B 5/003  
269/152  
4,834,352 A \* 5/1989 Thornton ..... B25B 5/06  
269/203  
D640,522 S \* 6/2011 Livingston, Jr. .... D8/74  
D736,586 S \* 8/2015 Fukui ..... D8/72  
D777,547 S \* 1/2017 Gassner ..... D8/72  
D778,135 S \* 2/2017 Blank ..... D8/72  
D786,660 S \* 5/2017 Cacciabeve ..... D8/394  
D808,238 S \* 1/2018 Zhang ..... D8/74  
D880,268 S \* 4/2020 Cheng ..... D8/72

\* cited by examiner

*Primary Examiner* — David G Muller

(74) *Attorney, Agent, or Firm* — Douglas Baldwin

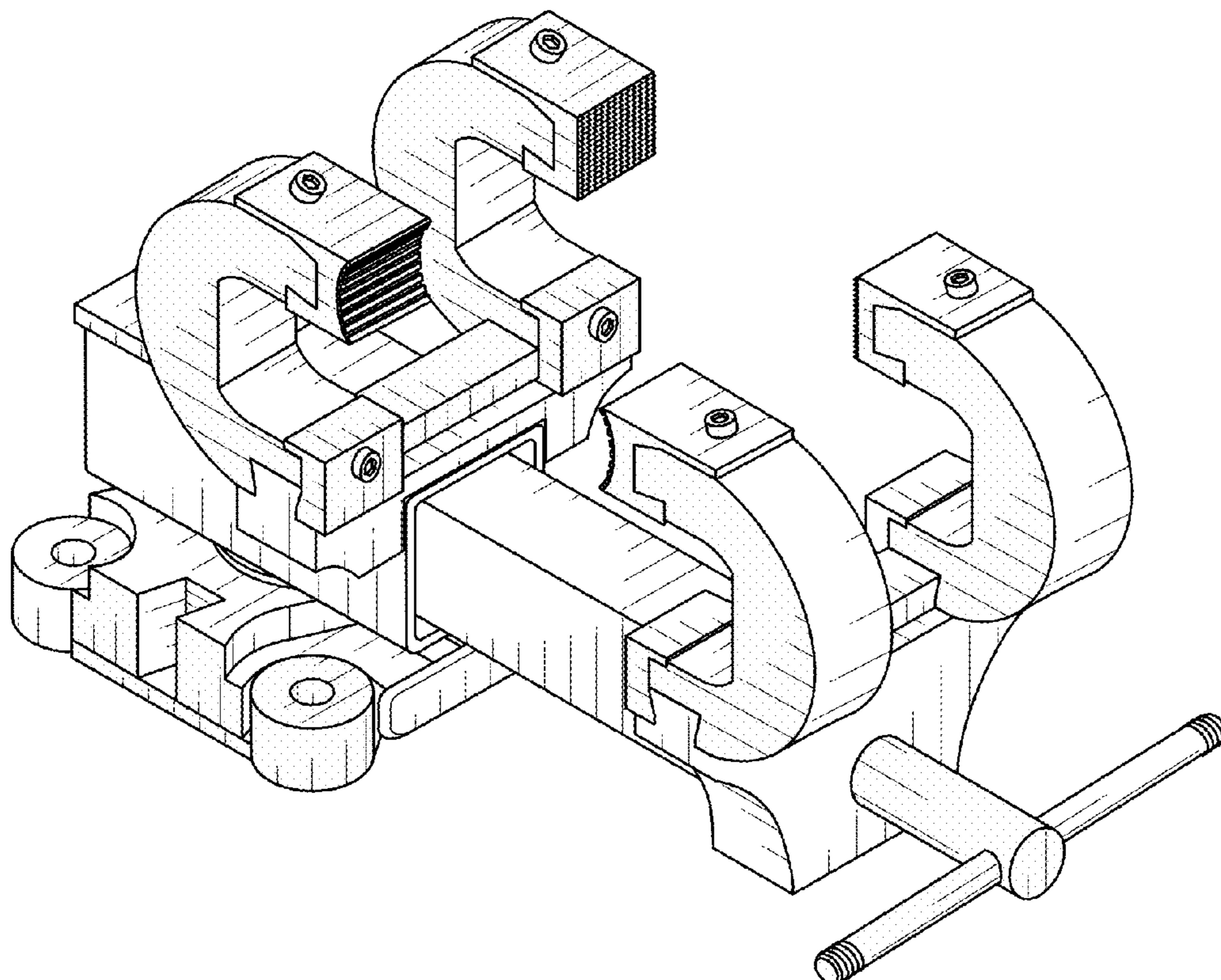
(57) **CLAIM**

The ornamental design for vise a with bi-directional arms, as shown and described.

**DESCRIPTION**

FIG. 1 is a right side elevational view of a vise showing our new design;  
FIG. 2 is a left side elevational view thereof;  
FIG. 3 is a front elevational view thereof;  
FIG. 4 is a top plan view thereof; and,  
FIG. 5 is a perspective view thereof.

**1 Claim, 3 Drawing Sheets**



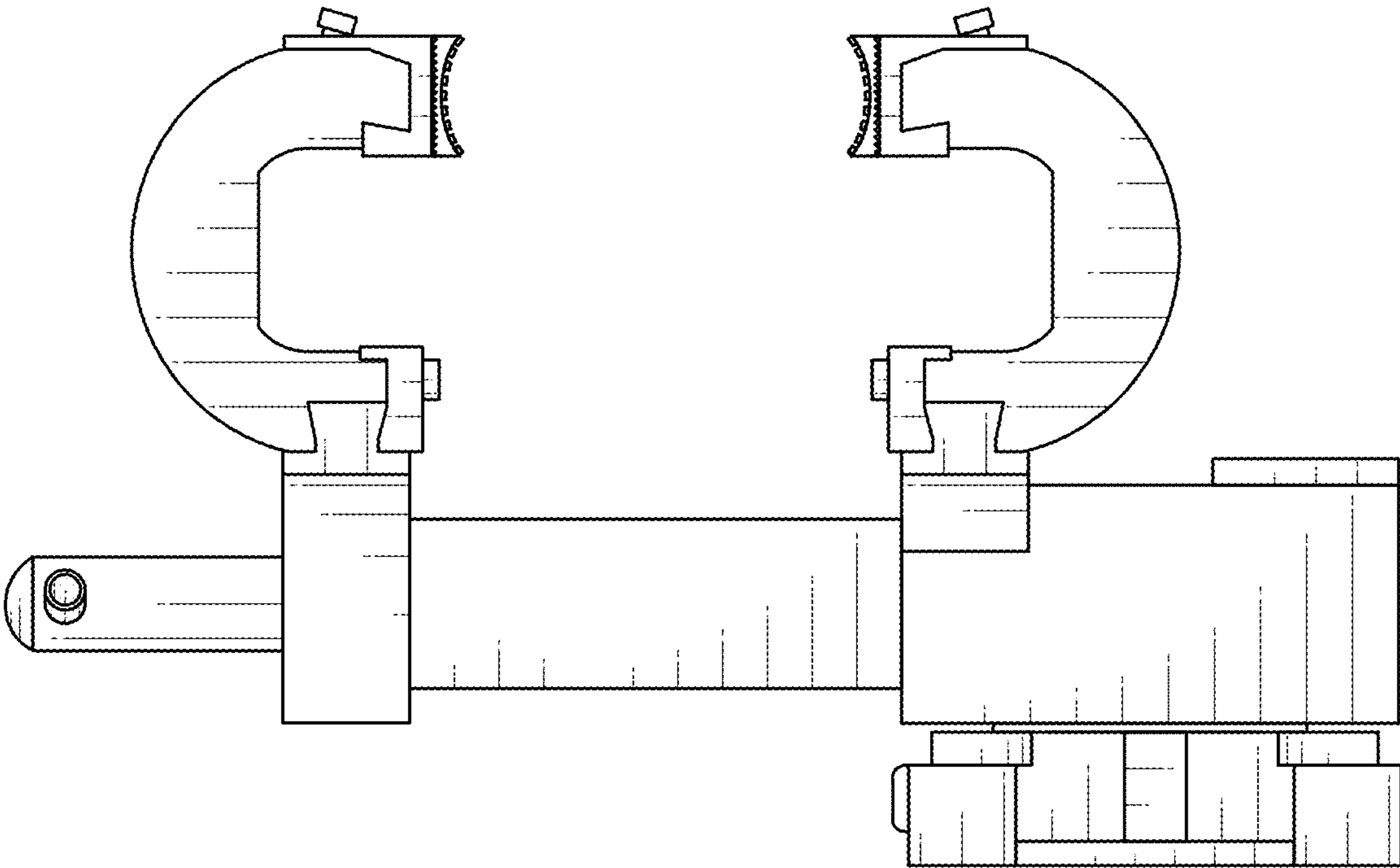


FIG. 1

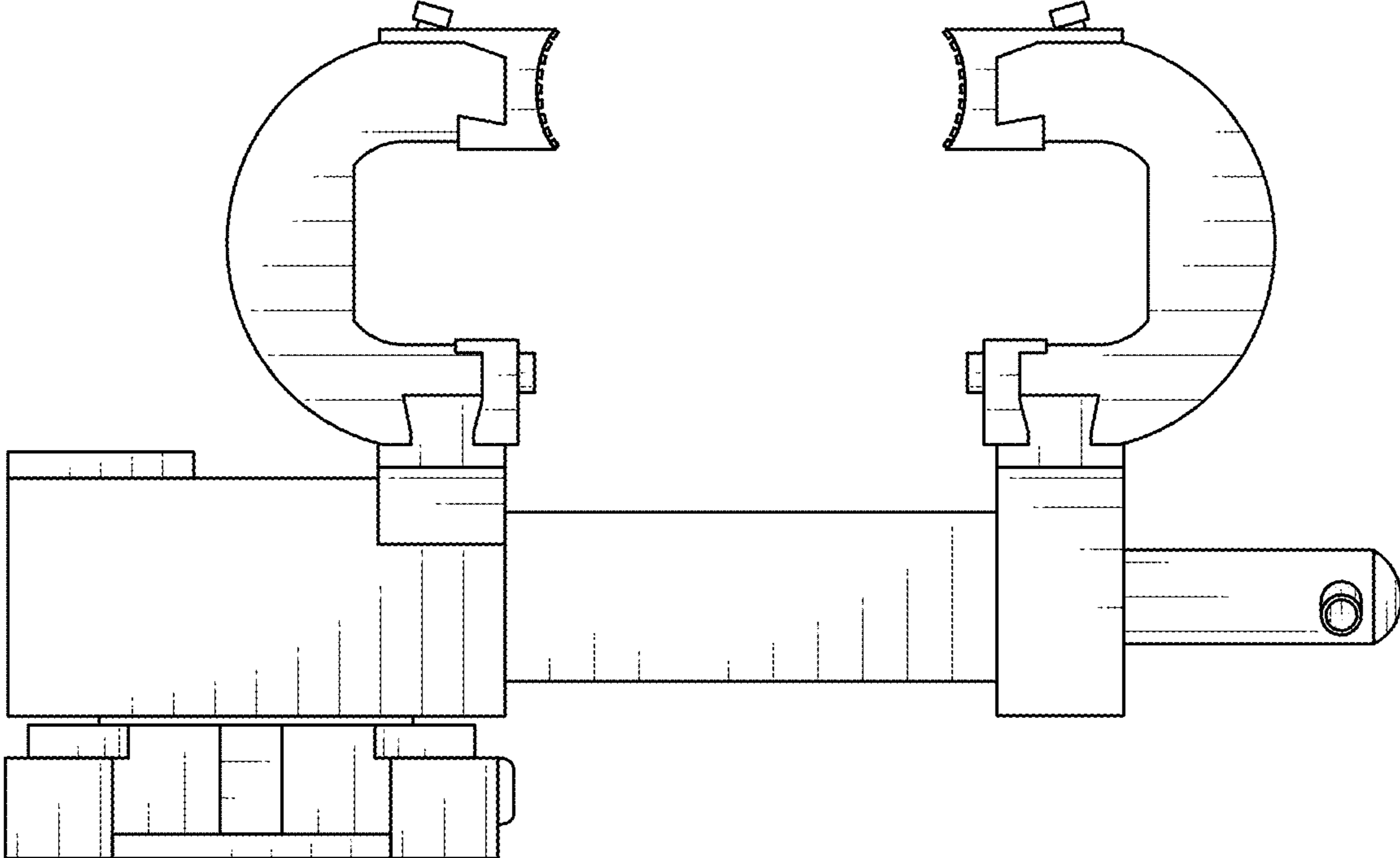


FIG. 2

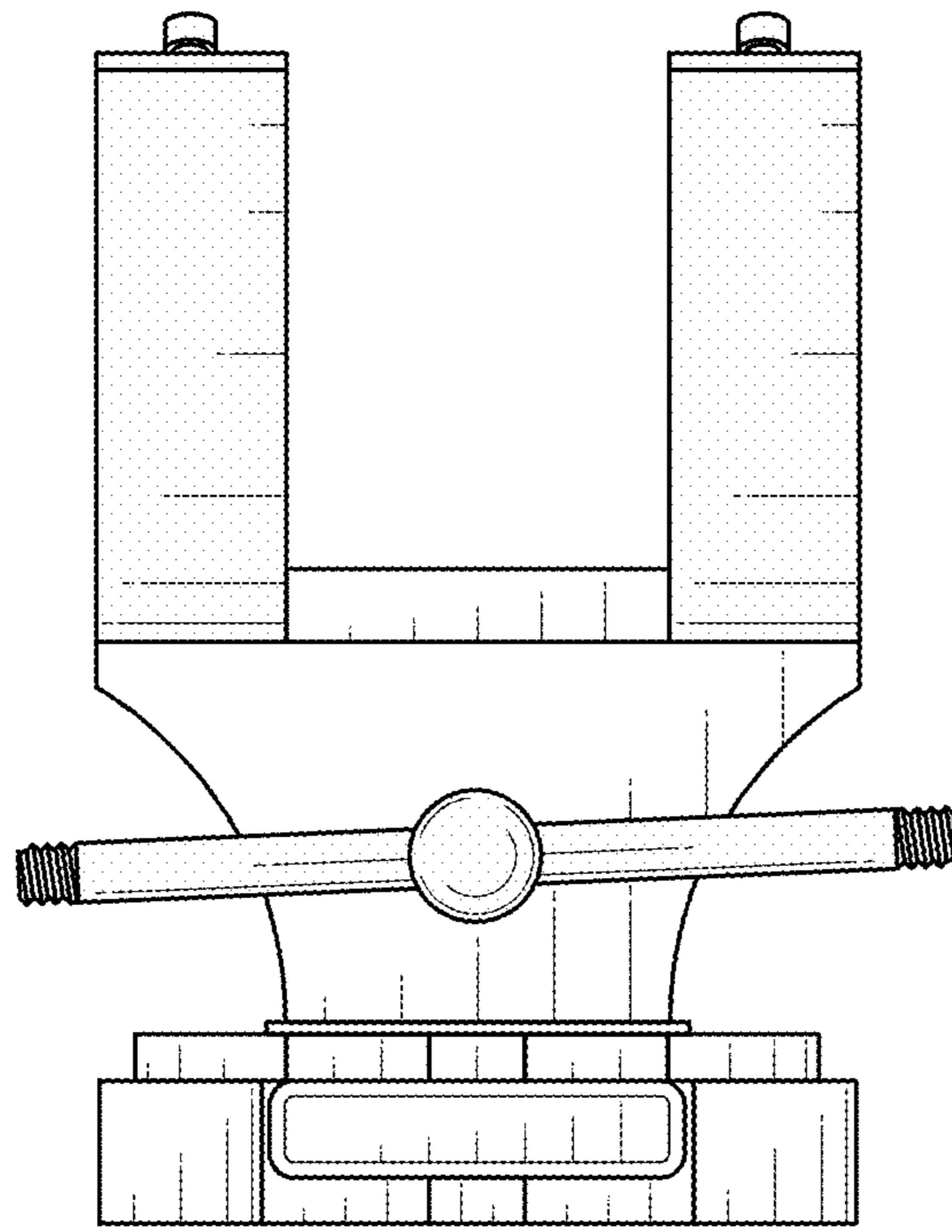


FIG. 3

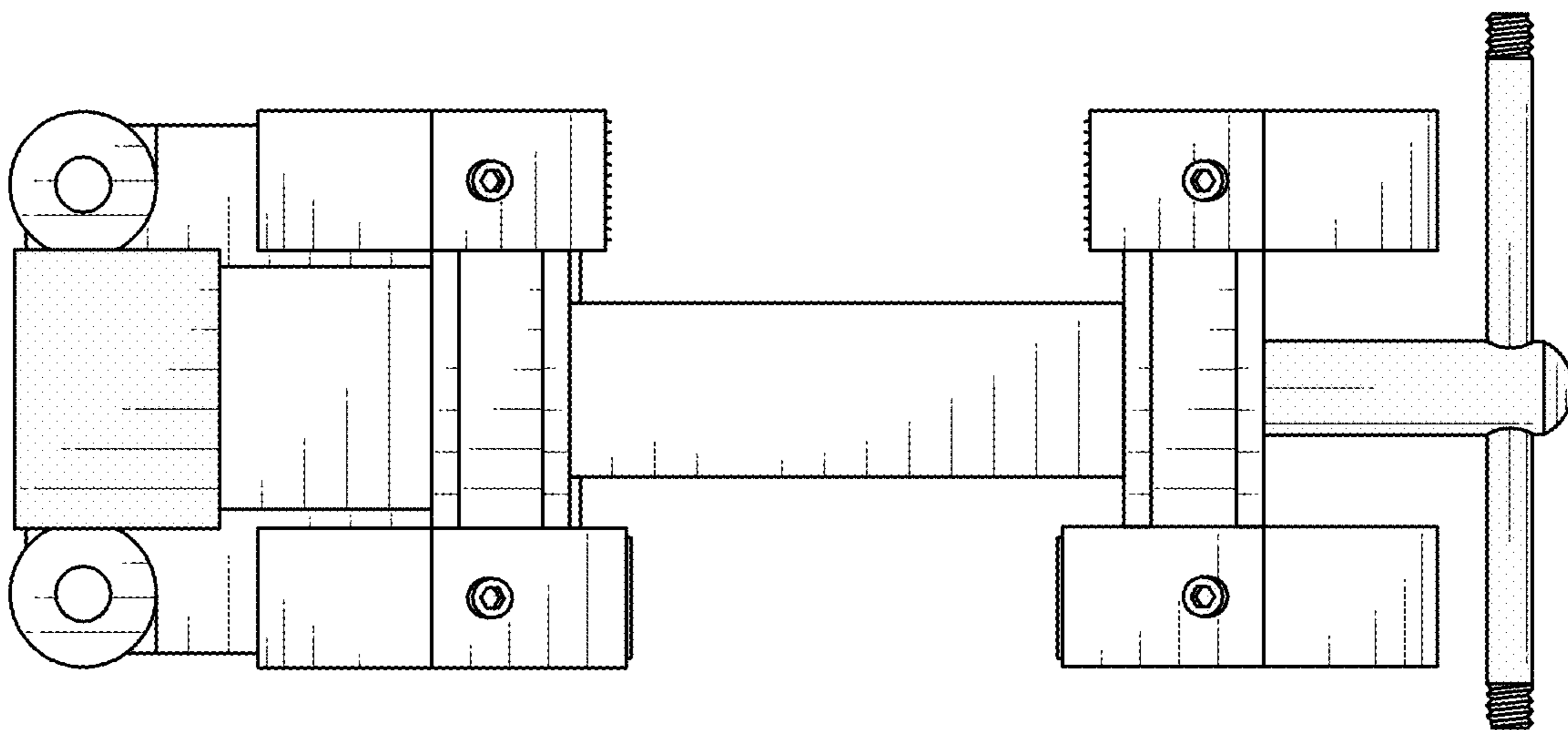


FIG. 4



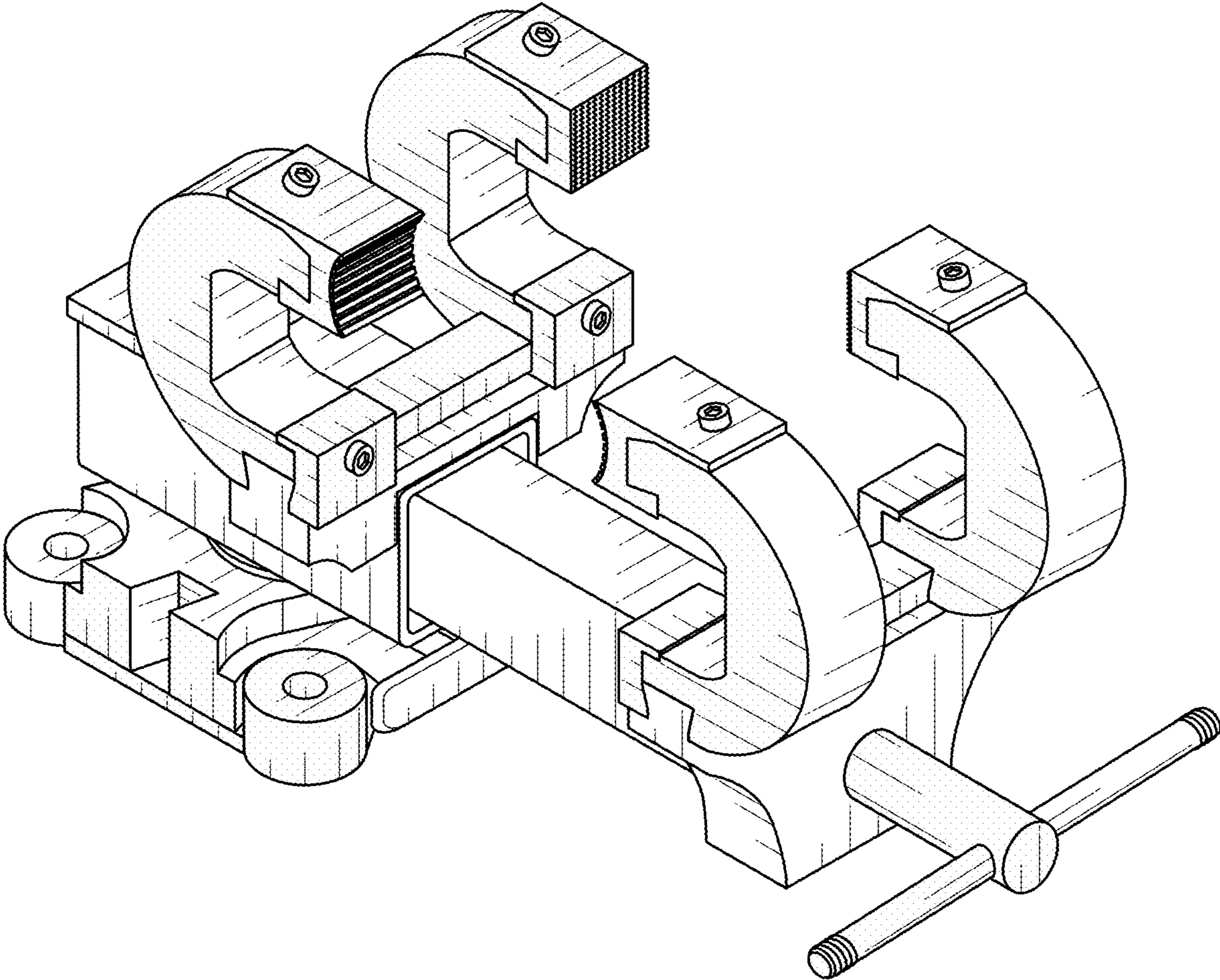


FIG. 5