



US00D921465S

(12) **United States Design Patent** (10) **Patent No.:** **US D921,465 S**
Sawa et al. (45) **Date of Patent:** **** Jun. 8, 2021**

(54) **MORTAR KNIFE**
(71) Applicant: **MILWAUKEE ELECTRIC TOOL CORPORATION**, Brookfield, WI (US)
(72) Inventors: **Max R. Sawa**, Palatine, IL (US);
James E. Pangerc, Pewaukee, WI (US)
(73) Assignee: **MILWAUKEE ELECTRIC TOOL CORPORATION**, Brookfield, WI (US)
(**) Term: **15 Years**
(21) Appl. No.: **29/690,105**
(22) Filed: **May 6, 2019**
(51) **LOC (13) Cl.** **08-05**
(52) **U.S. Cl.**
USPC **D8/70; D8/47**
(58) **Field of Classification Search**
USPC D8/14, 20, 47, 70; D15/21, 28, 29, 139;
D24/146; D32/46
CPC B25D 3/00; B25D 11/102; B25D 17/005
See application file for complete search history.

(56) **References Cited**

U.S. PATENT DOCUMENTS

1,350,241 A 8/1920 Routh
1,570,650 A 1/1926 Thomson
2,028,993 A 1/1936 Pollard
D137,744 S * 4/1944 Gunderson D8/47
2,629,588 A 2/1953 Neamand
2,900,178 A 8/1959 Harrison et al.
3,027,953 A 4/1962 Coski
3,043,002 A 7/1962 Brown
3,044,169 A 7/1962 Brown

(Continued)

FOREIGN PATENT DOCUMENTS

CN 201922428 U 8/2011
CN 302040858 S 8/2012

(Continued)

OTHER PUBLICATIONS

Javier. "New Milwaukee Masonry, Concrete, and Tile Drilling Accessories." Tool Craze., Jul. 2, 2020 [online], [retrieved on Jan.

31, 2021], Retrieved from the Internet <URL: <https://toolcraze.net/new-milwaukee-masonry-concrete-and-tile-drilling-accessories/>>.*

Primary Examiner — Darlington Ly

(74) *Attorney, Agent, or Firm* — Michael Best & Friedrich LLP

(57) **CLAIM**

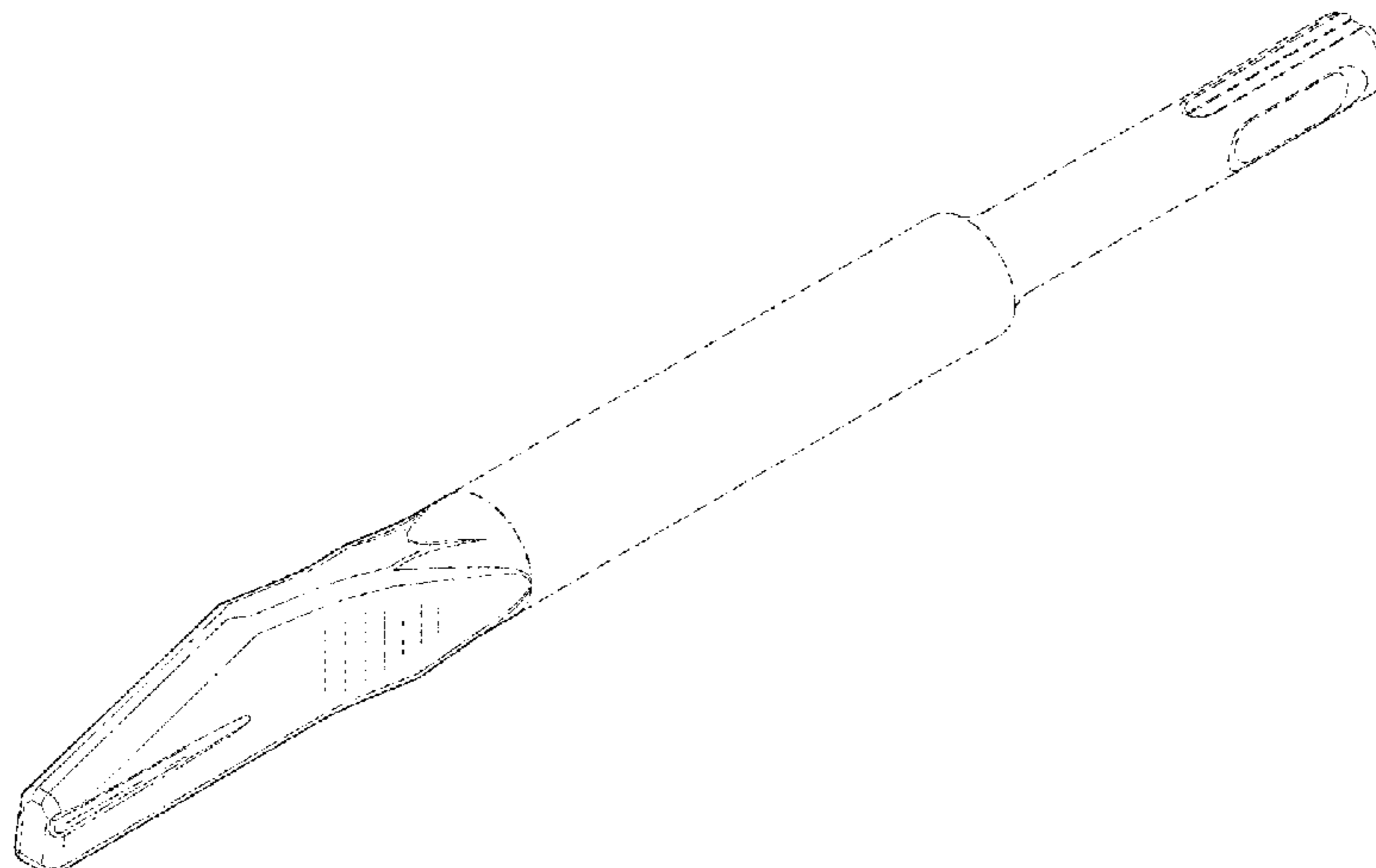
We claim the ornamental design for a mortar knife, as shown and described.

DESCRIPTION

FIG. 1 is a front perspective view of a mortar knife showing our new design in accordance to a first embodiment; FIG. 2 is a front elevation view thereof; FIG. 3 is a rear elevation view thereof; FIG. 4 is a right side elevation view thereof; FIG. 5 is a left side elevation view thereof; FIG. 6 is a top plan view thereof; and FIG. 7 is a bottom plan view thereof. FIG. 8 is a front perspective view of a mortar knife showing our new design in accordance to a second embodiment; FIG. 9 is a front elevation view thereof; FIG. 10 is a rear elevation view thereof; FIG. 11 is a right side elevation view thereof; FIG. 12 is a left side elevation view thereof; FIG. 13 is a top plan view thereof; and, FIG. 14 is a bottom plan view thereof.

The broken lines in the drawings illustrate portions of the mortar knife that form no part of the claimed design. The dash-dot-dash broken lines are provided for the purpose of illustrating a boundary of the claimed design.

1 Claim, 8 Drawing Sheets



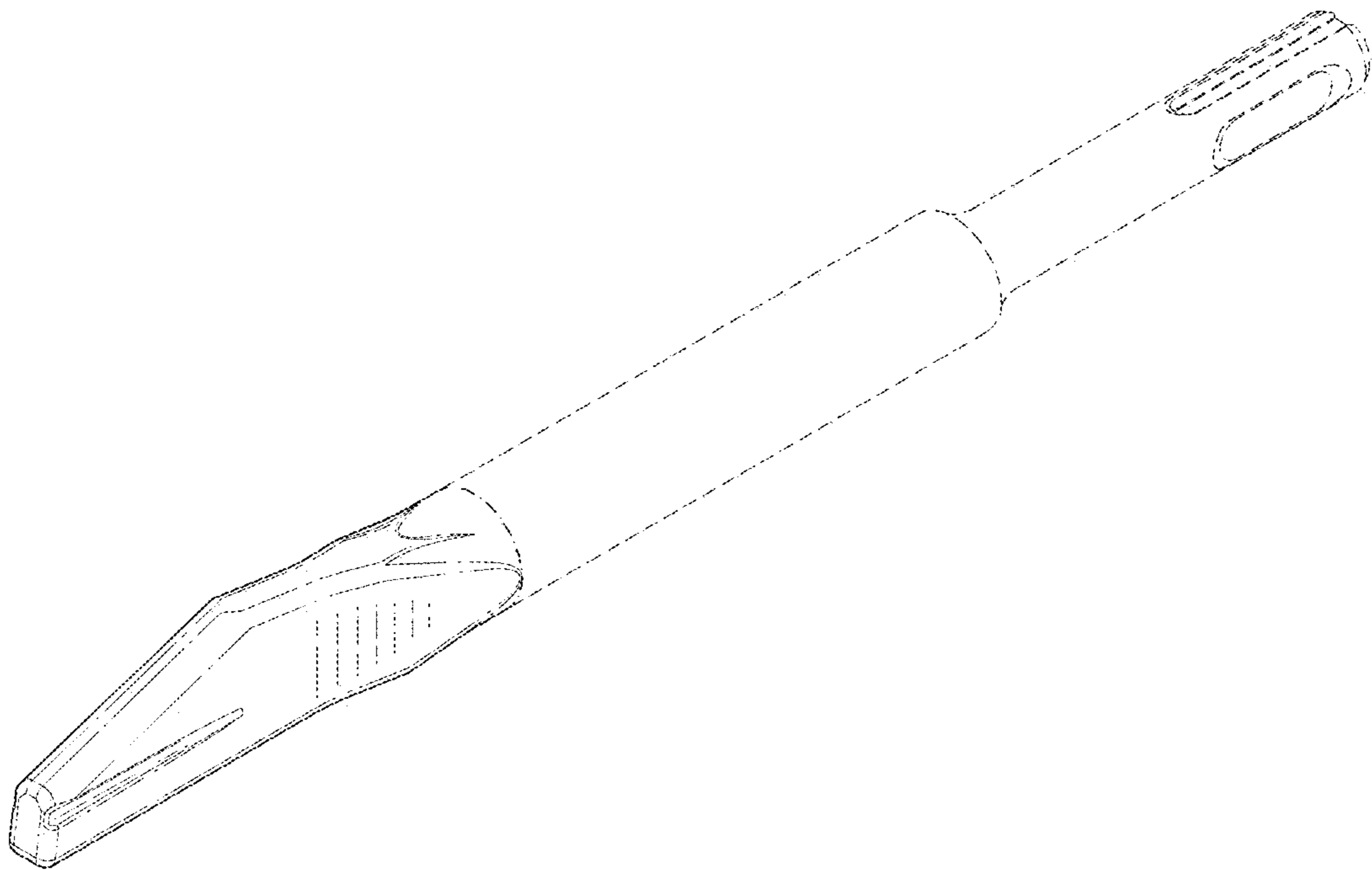


FIG. 1

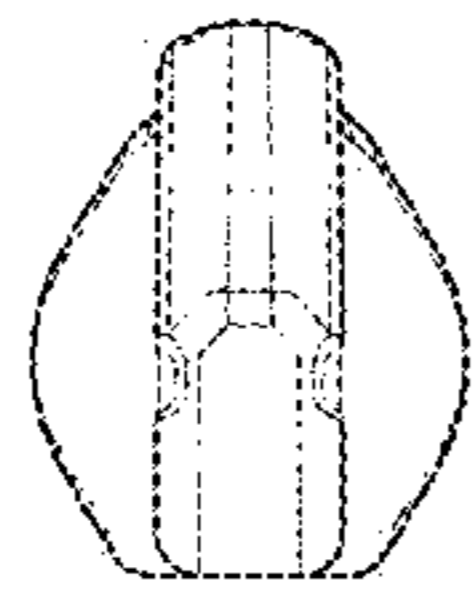


FIG. 2

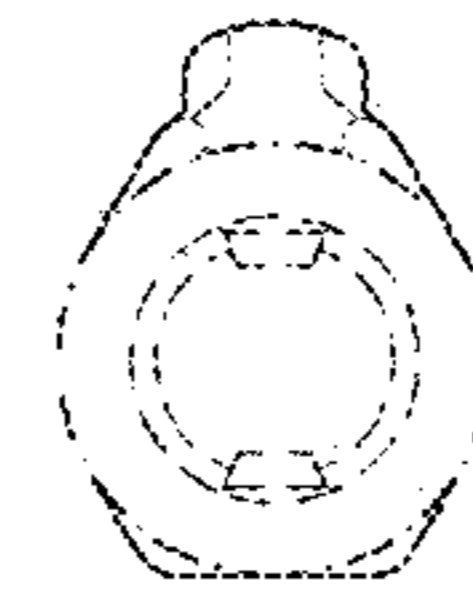


FIG. 3

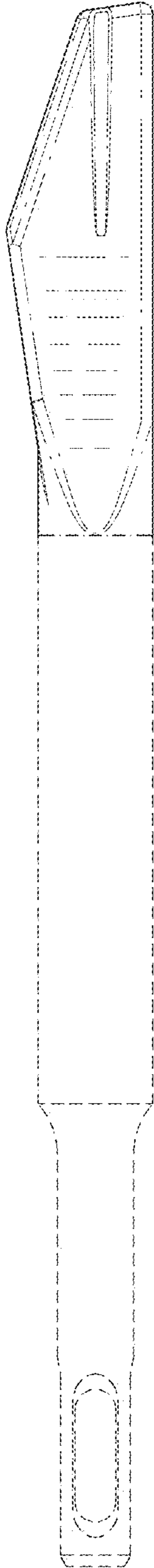


FIG. 4

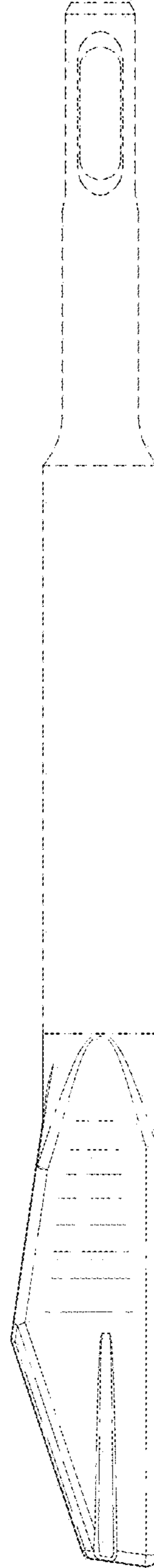


FIG. 5

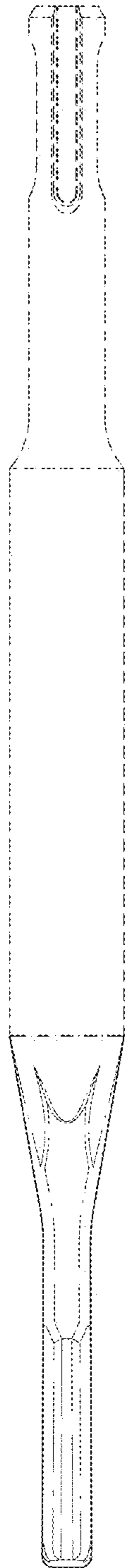


FIG. 6

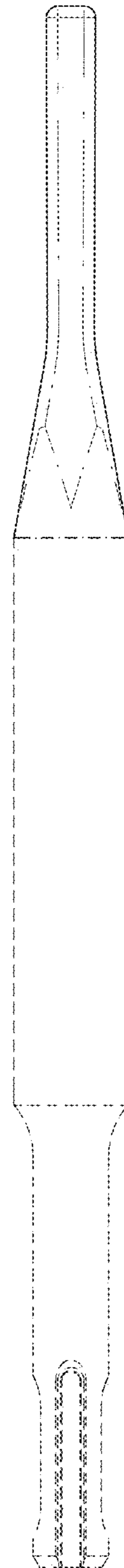


FIG. 7

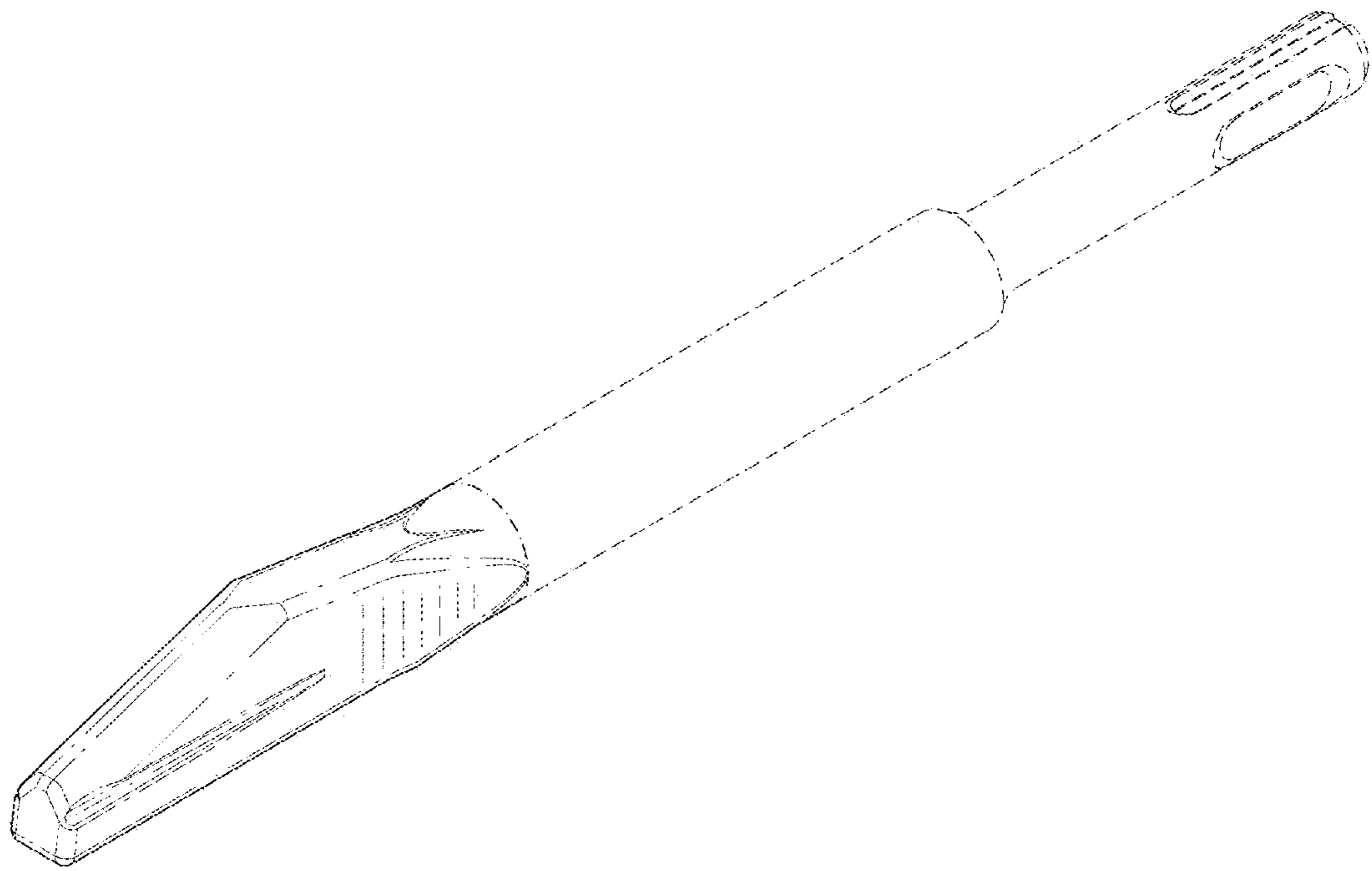


FIG. 8

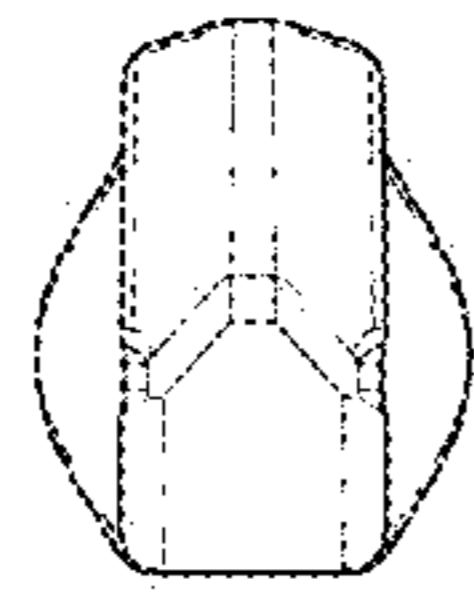


FIG. 9

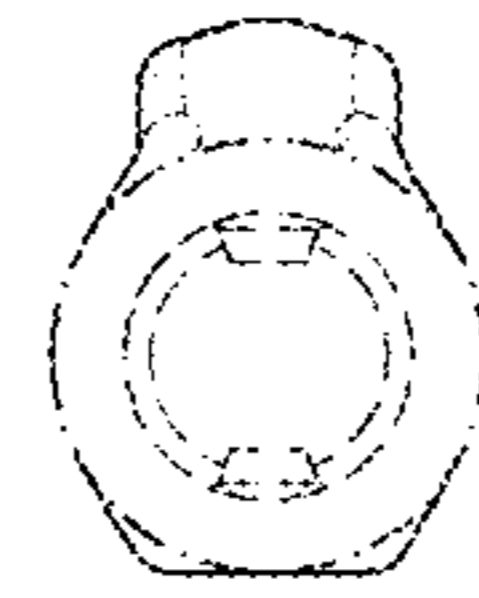


FIG. 10

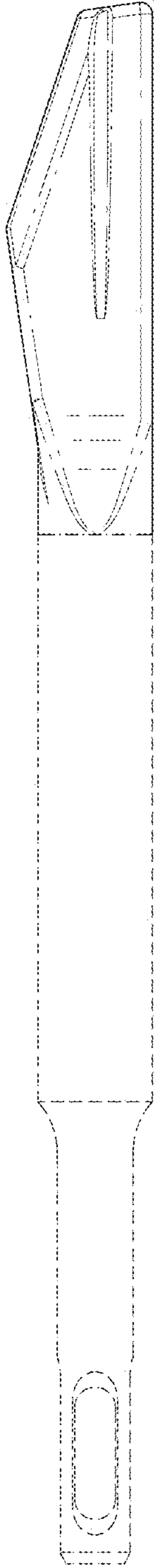


FIG. 11

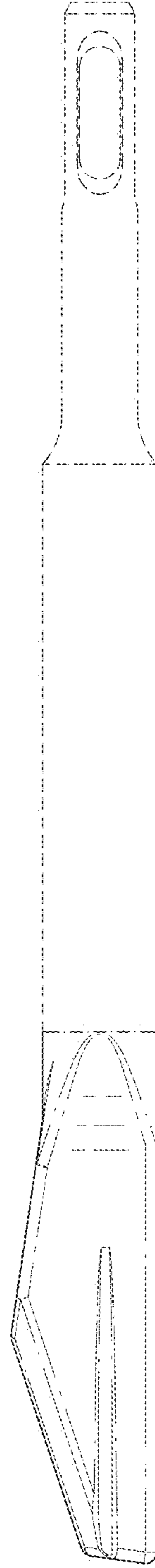


FIG. 12

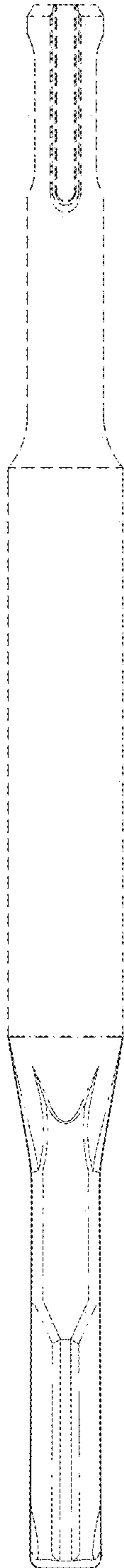


FIG. 13

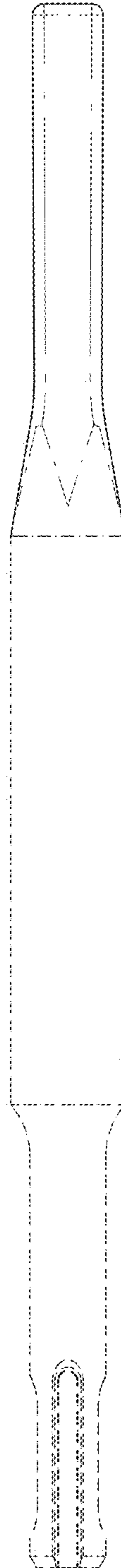


FIG. 14