



US00D921464S

(12) **United States Design Patent**
Lauterbach

(10) **Patent No.:** **US D921,464 S**
(45) **Date of Patent:** **** Jun. 8, 2021**

- (54) **HOSE REMOVAL TOOL**
- (71) Applicant: **A & E Incorporated**, Racine, WI (US)
- (72) Inventor: **Eric Lauterbach**, Racine, WI (US)
- (73) Assignee: **A & E INCORPORATED**, Racine, WI (US)
- (**) Term: **15 Years**
- (21) Appl. No.: **29/686,773**
- (22) Filed: **Apr. 8, 2019**
- (51) **LOC (13) Cl.** **08-05**
- (52) **U.S. Cl.**
USPC **D8/47; D8/89**
- (58) **Field of Classification Search**
USPC D8/14, 31, 88, 89, 47; D28/65;
D24/152, 133
CPC B66F 15/00
See application file for complete search history.

- D728,788 S 5/2015 Chu
- D733,300 S 6/2015 Bennett
- D750,247 S * 2/2016 Cho D24/152
- D750,837 S 3/2016 Gast
- D785,238 S 4/2017 Silva
- D812,295 S 3/2018 Staab

OTHER PUBLICATIONS

Webpage, <http://store.snapon.com/Soft-Grip-Hose-Picks-Set-Radiator-Hose-Pick-Heavy-Duty-3pc-P646488.aspx>, 1 page.
 Webpage, <https://store.snapon.com/Radiator-and-Freeze-Plug-Tools-Radiator-Hose-Pick-Set-P886563.aspx>, dated Jun. 14, 2017, 1 page.

* cited by examiner

Primary Examiner — Philip S Hyder
 (74) *Attorney, Agent, or Firm* — Ryan Kromholz & Manion, S.C.

(57) **CLAIM**

The ornamental design for a hose removal tool, as shown and described.

(56) **References Cited**

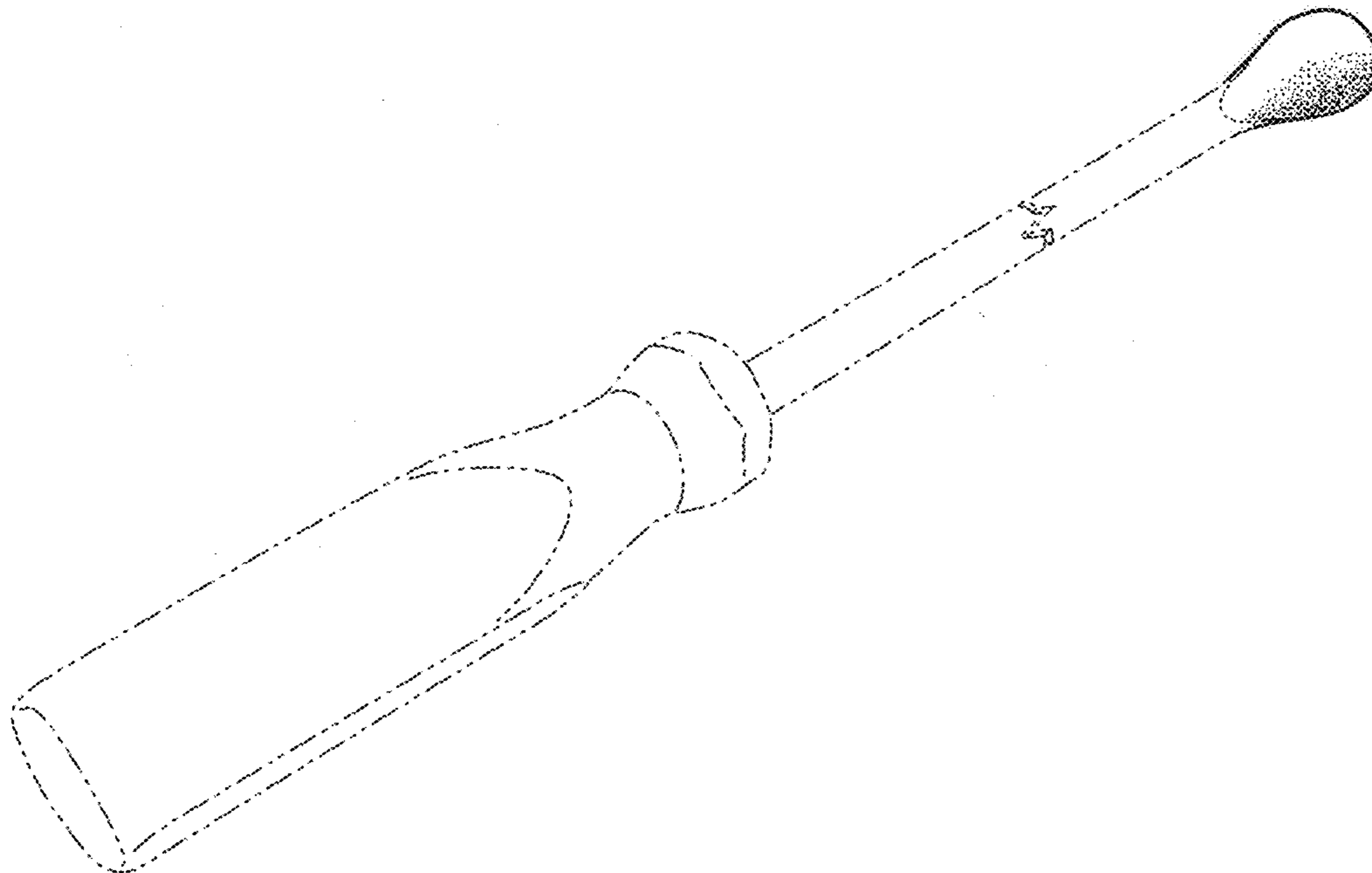
U.S. PATENT DOCUMENTS

- D285,367 S 8/1986 Lindner
- 5,213,146 A 5/1993 Onozawa
- D395,809 S 7/1998 Brown
- D437,459 S 2/2001 Inaba
- 6,382,974 B1 5/2002 Garfinkel
- 6,588,479 B1 7/2003 Kliskey
- D558,346 S 12/2007 Darnold
- D560,800 S 1/2008 Curtis
- D573,309 S 7/2008 Wittke-Kothe
- D594,298 S 6/2009 Kliskey
- D617,156 S * 6/2010 Griffith D7/688
- D627,886 S 11/2010 Williamson
- D627,992 S 11/2010 Kapasi
- D700,331 S 2/2014 Lim

DESCRIPTION

FIG. 1 is a perspective view of the hose removal tool;
 FIG. 2 is a top view of the hose removal tool;
 FIG. 3 is a bottom view of the hose removal tool;
 FIG. 4 is a first side view of the hose removal tool;
 FIG. 5 is a second side view of the hose removal tool;
 FIG. 6 is a front view of the hose removal tool; and,
 FIG. 7 is a rear view of the hose removal tool.
 All broken lines illustrate portions of the hose removal tool that form no part of the claimed design.

1 Claim, 1 Drawing Sheet



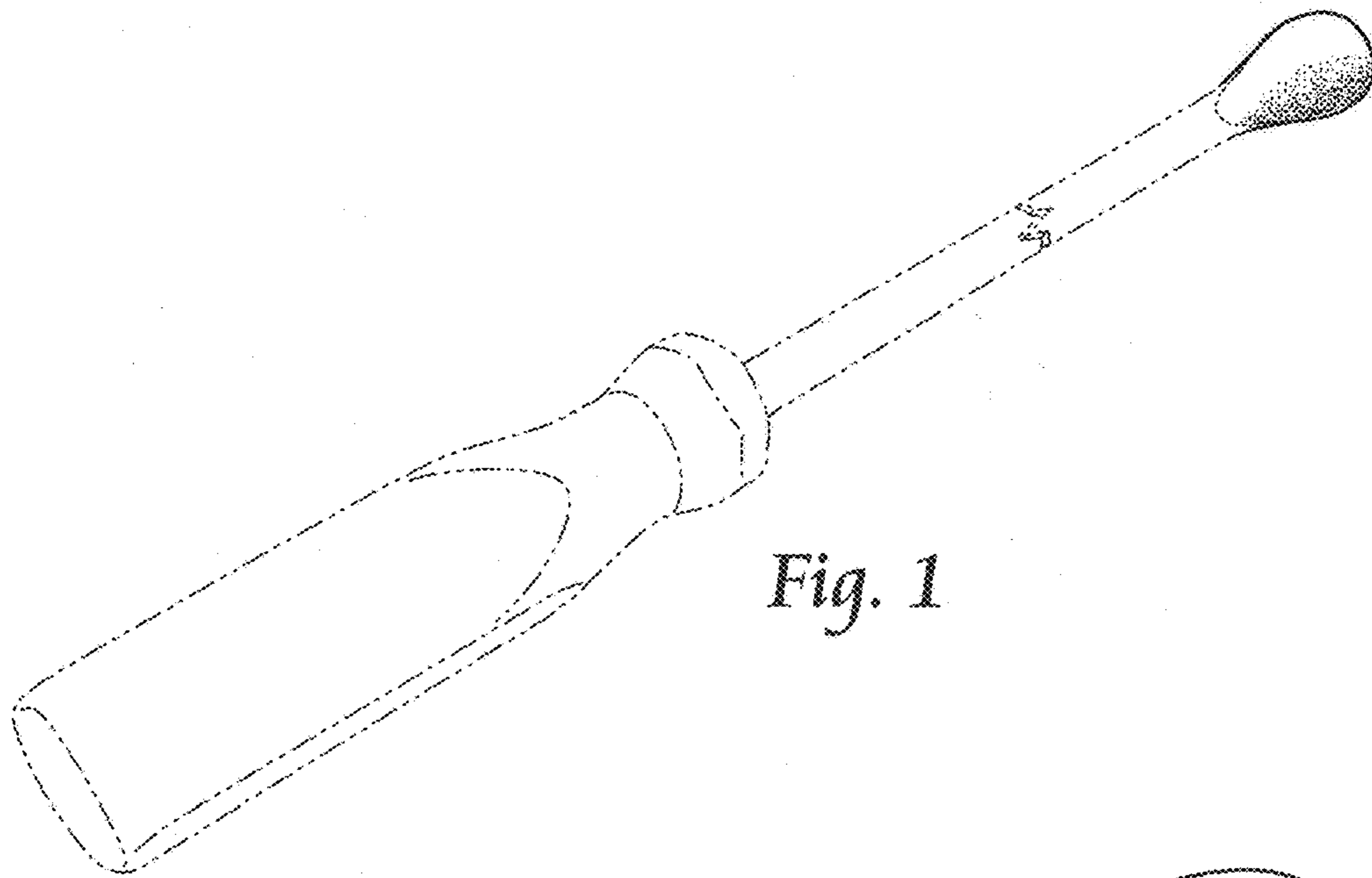


Fig. 1

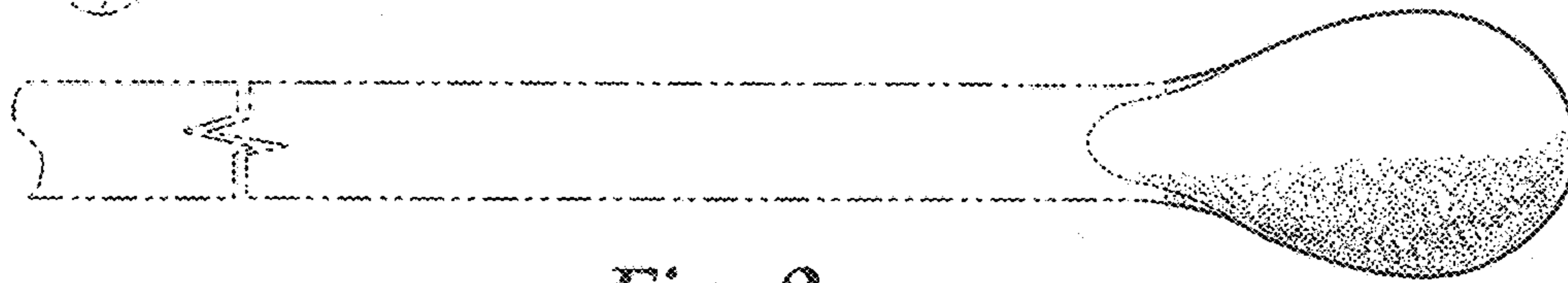


Fig. 2

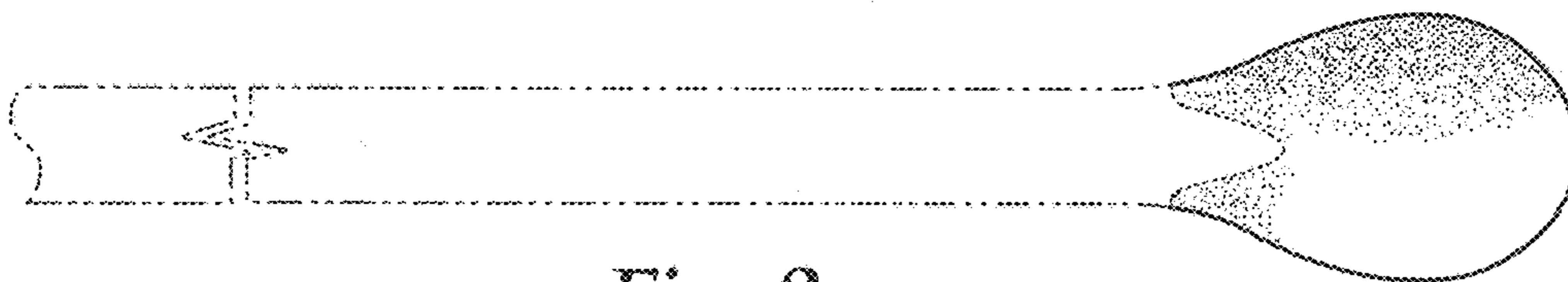


Fig. 3

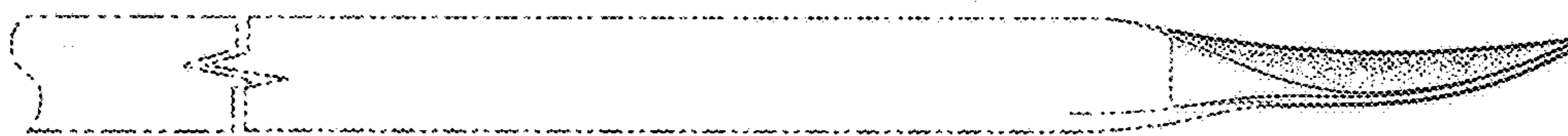


Fig. 4



Fig. 5



Fig. 6



Fig. 7