



US00D921463S

(12) **United States Design Patent** (10) **Patent No.:** **US D921,463 S**
Cranor (45) **Date of Patent:** **** Jun. 8, 2021**

(54) **PAINT TRIM GUIDE**

(71) Applicant: **The Blade Paint Shield LLC,**
Lakeland, FL (US)

(72) Inventor: **Joshua T. Cranor,** Lakeland, FL (US)

(**) Term: **15 Years**

(21) Appl. No.: **29/745,697**

(22) Filed: **Aug. 7, 2020**

(51) **LOC (13) Cl.** **08-05**

(52) **U.S. Cl.**
USPC **D8/45**

(58) **Field of Classification Search**
USPC D8/14, 19, 45; D32/46
(Continued)

(56) **References Cited**

U.S. PATENT DOCUMENTS

695,965 A 3/1902 Taylor et al.
4,085,703 A 4/1978 Glowacki
(Continued)

OTHER PUBLICATIONS

Amazon.com_Allway Tools PS1 Paint Shield Straight Stainless Steel Edge, 24-Inch_ Home Improvement, available on Aug. 4, 2020 at <https://www.amazon.com/s?k=Allway+Tools+PS1+Paint+Shield+Straight+Stainless+Steel+Edge&i=garden&ref=nb_sb_noss>.
(Continued)

Primary Examiner — Philip S Hyder
(74) *Attorney, Agent, or Firm* — Nancy J. Flint, Attorney At Law, P.A.; Nancy J. Flint, Esq.

(57) **CLAIM**

The ornamental design for a paint trim guide, as shown and described.

DESCRIPTION

FIG. 1 is a perspective view of a first embodiment of a paint trim guide with an extended flange showing my new design;

FIG. 2 is a top view of the first embodiment of the paint trim guide with an extended flange;
FIG. 3 is a left side view of the first embodiment of the paint trim guide with an extended flange;
FIG. 4 is a bottom view of the first embodiment of the paint trim guide with an extended flange;
FIG. 5 is a right side view of the first embodiment of the paint trim guide with an extended flange;
FIG. 6 is a front view of the first embodiment of the paint trim guide with an extended flange;
FIG. 7 is a cross-section of the top view of FIG. 2 of the first embodiment of the paint trim guide with an extended flange;
FIG. 8 perspective view of the first embodiment of the paint trim guide with a retracted flange;
FIG. 9 is a top view of the first embodiment of the paint trim guide with a retracted flange;
FIG. 10 is a left side view of the first embodiment of the paint trim guide with a retracted flange;
FIG. 11 is a bottom view of the first embodiment of the paint trim guide with a retracted flange;
FIG. 12 is a right side view of the first embodiment of the paint trim guide with a retracted flange;
FIG. 13 is a front view of the first embodiment of the paint trim guide with a retracted flange;
FIG. 14 is a cross-section of the top view of FIG. 2 of the first embodiment of the paint trim guide with a retracted flange;
FIG. 15 is a perspective view of a second embodiment of a paint trim guide;
FIG. 16 is a top view of the second embodiment of the paint trim guide;
FIG. 17 is a left side view of the second embodiment of the paint trim guide;
FIG. 18 is a bottom view of the second embodiment of the paint trim guide;
FIG. 19 is a right side view of the second embodiment of the paint trim guide;
FIG. 20 is a front view of the second embodiment of the paint trim guide;
FIG. 21 is a cross-section of the top view of FIG. 16 of the second embodiment of the paint trim guide;
FIG. 22 is a perspective view of a third embodiment of a paint trim guide with an extended flange;

(Continued)

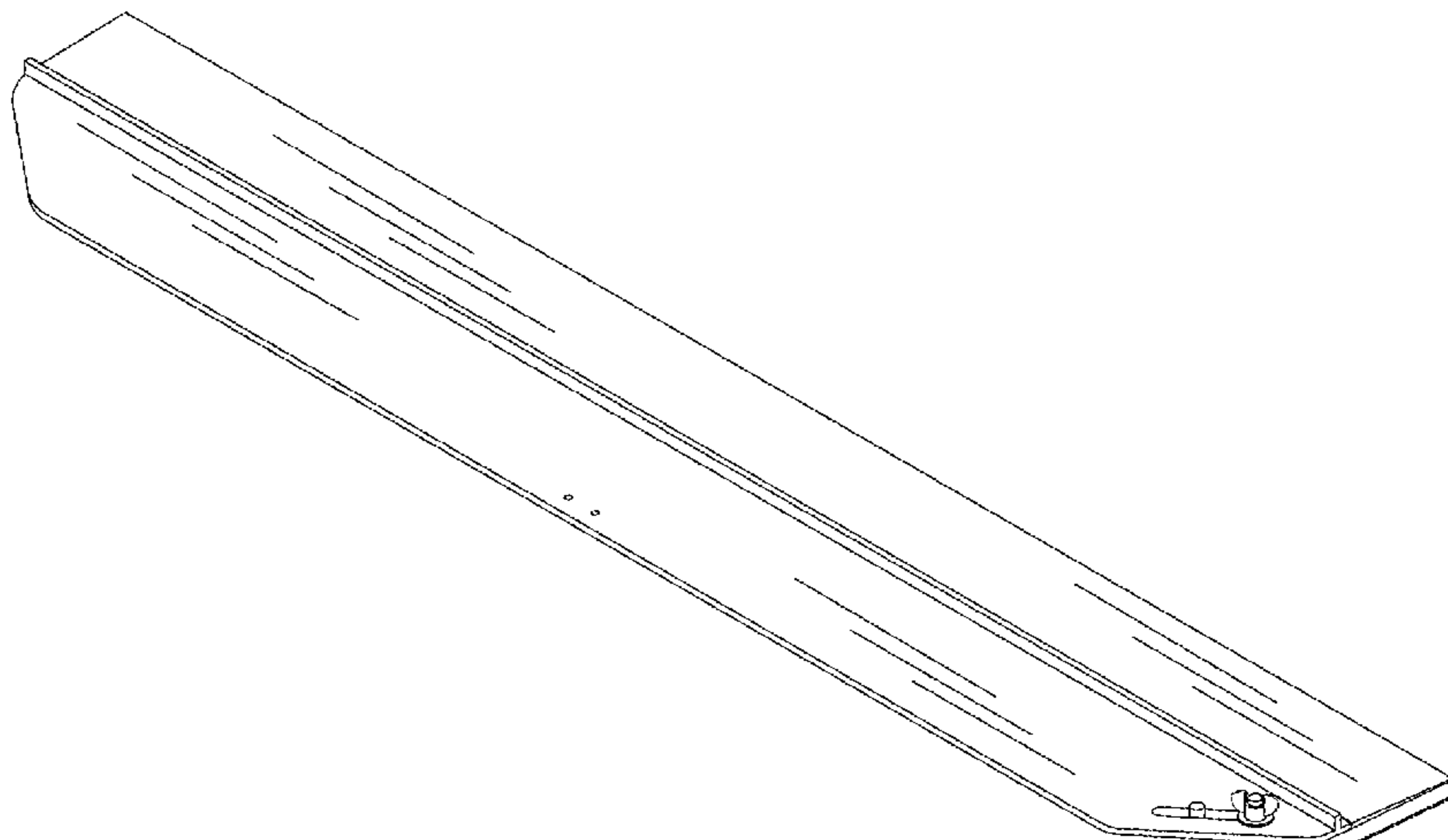


FIG. 23 is a top view of the third embodiment of the paint trim guide with an extended flange;
 FIG. 24 is a left side view of the third embodiment of the paint trim guide with an extended flange;
 FIG. 25 is a bottom view of the third embodiment of the paint trim guide with an extended flange;
 FIG. 26 is a right side view of the third embodiment of the paint trim guide with an extended flange;
 FIG. 27 is a front view of the third embodiment of the paint trim guide with an extended flange; and,
 FIG. 28 is a cross-section of the top view of FIG. 23 of the third embodiment of the paint trim guide with an extended flange.
 Rear views not shown are mirror images of front views. Hatch lines in FIGS. 7, 14, 21, and 28 depict internal structure not visible from the exterior that do not form part of the design sought to be patented. The paint trim guide of the third embodiment shown in FIGS. 22-28 is shown with a symbolic break in its length. The appearance of any portion of the article between the break lines forms no part of the claimed design.

1 Claim, 12 Drawing Sheets

(58) **Field of Classification Search**

CPC B05B 11/06; B05B 12/28; B05C 17/00;
 B05C 21/00; B44D 3/105; B26B 21/56;
 B29C 2063/037; A47L 13/11

See application file for complete search history.

(56)

References Cited

U.S. PATENT DOCUMENTS

D248,725 S	8/1978	McClane	
4,217,854 A	8/1980	Brown	
4,241,693 A *	12/1980	Shotwell	B05B 12/28 118/504
D262,597 S	1/1982	Rangel	
D297,801 S	9/1988	Olsson	
4,791,007 A *	12/1988	Gleason	B05B 12/28 427/282
4,962,722 A	10/1990	Thompson	
D315,481 S	3/1991	Bradshaw	
5,103,762 A	4/1992	Long et al.	
6,808,794 B1	10/2004	Mattox	
D583,204 S	12/2008	Creswell	
7,622,003 B1	11/2009	Heysek	
D626,392 S	11/2010	Amodeo	
D816,443 S	5/2018	Patenaude	
D886,559 S	6/2020	Valerie, Sr.	

OTHER PUBLICATIONS

Edward Tools Paint Trim Guard—12" Stainless Steel Trim Guide Blade is Perfect Size for Painting—Works for Cutting Guide—Ideal Thickness for Precision Painting—Amazon.com, available on Aug. 4, 2020 at <<https://www.amazon.com/Edward-Tools-Paint-Trim-Guard/dp/B01NCZKTZQ>>.

* cited by examiner

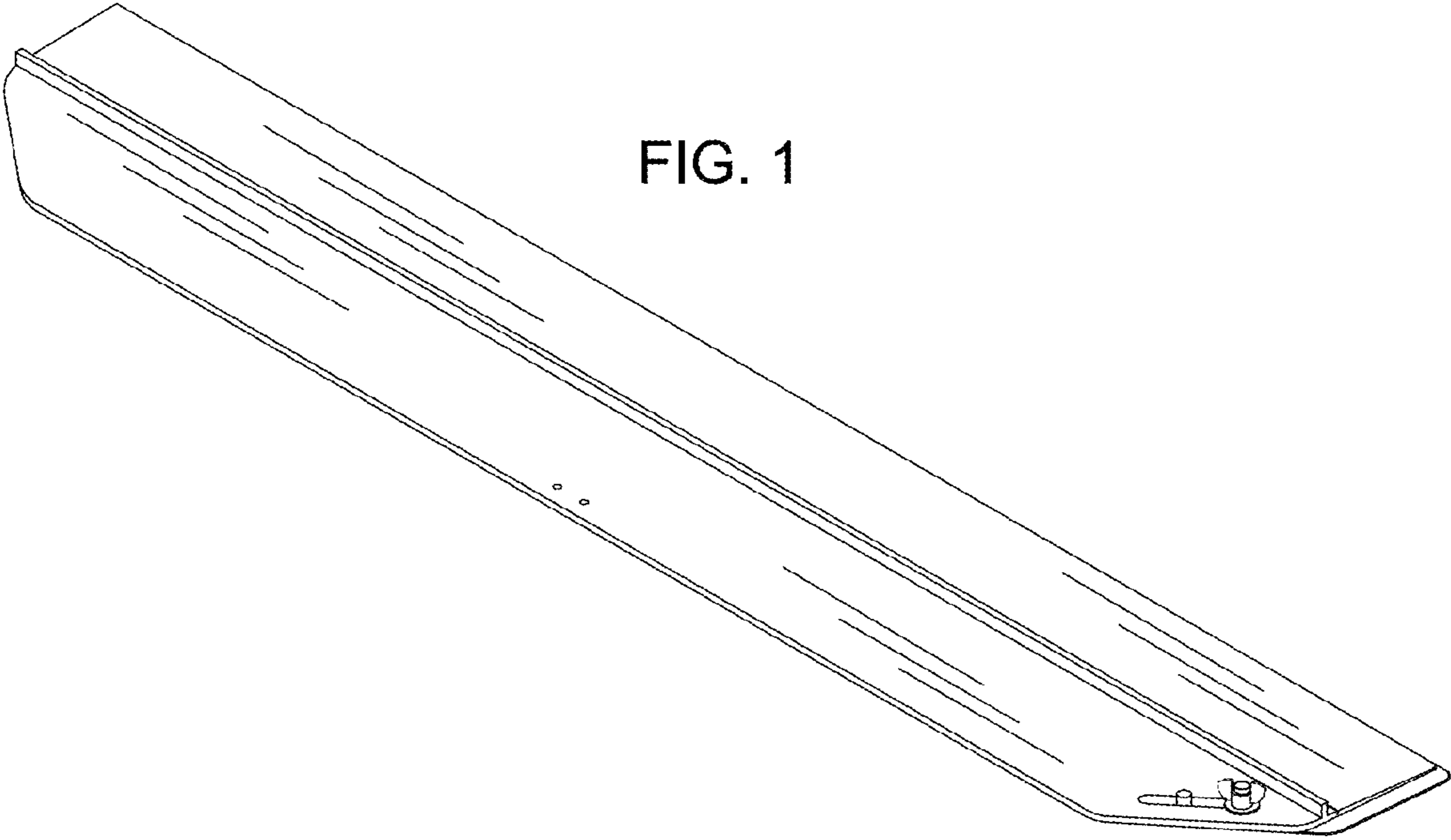


FIG. 1

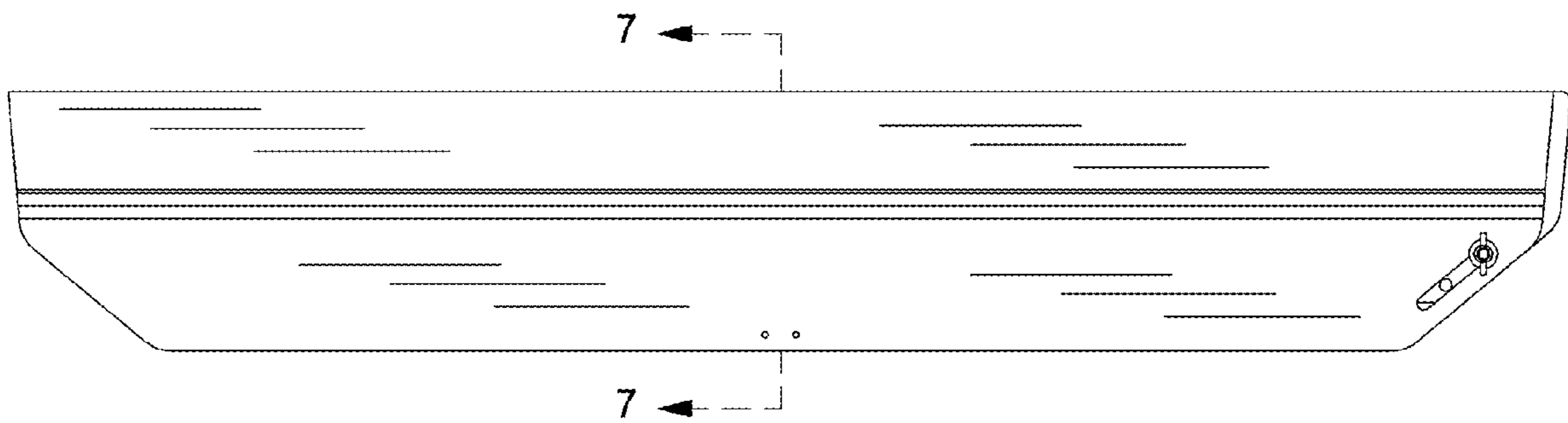


FIG. 2

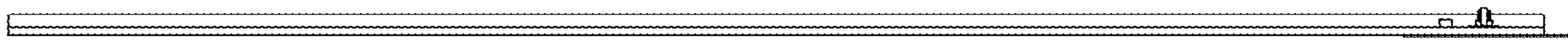


FIG. 3

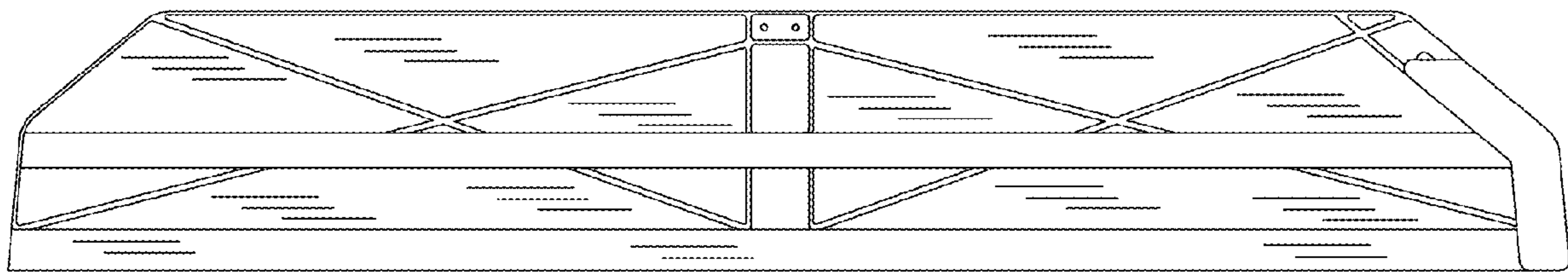


FIG. 4

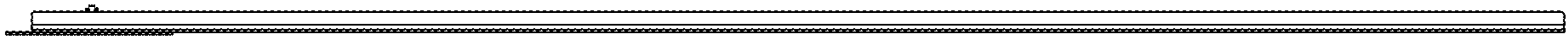


FIG. 5

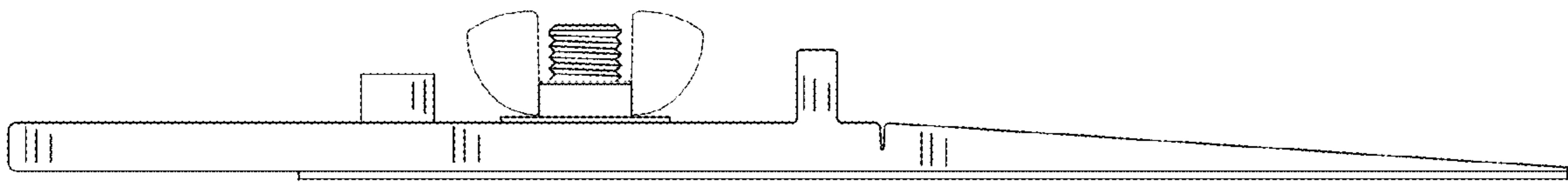


FIG. 6

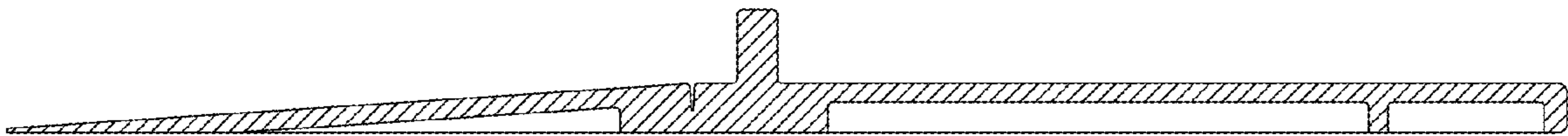


FIG. 7

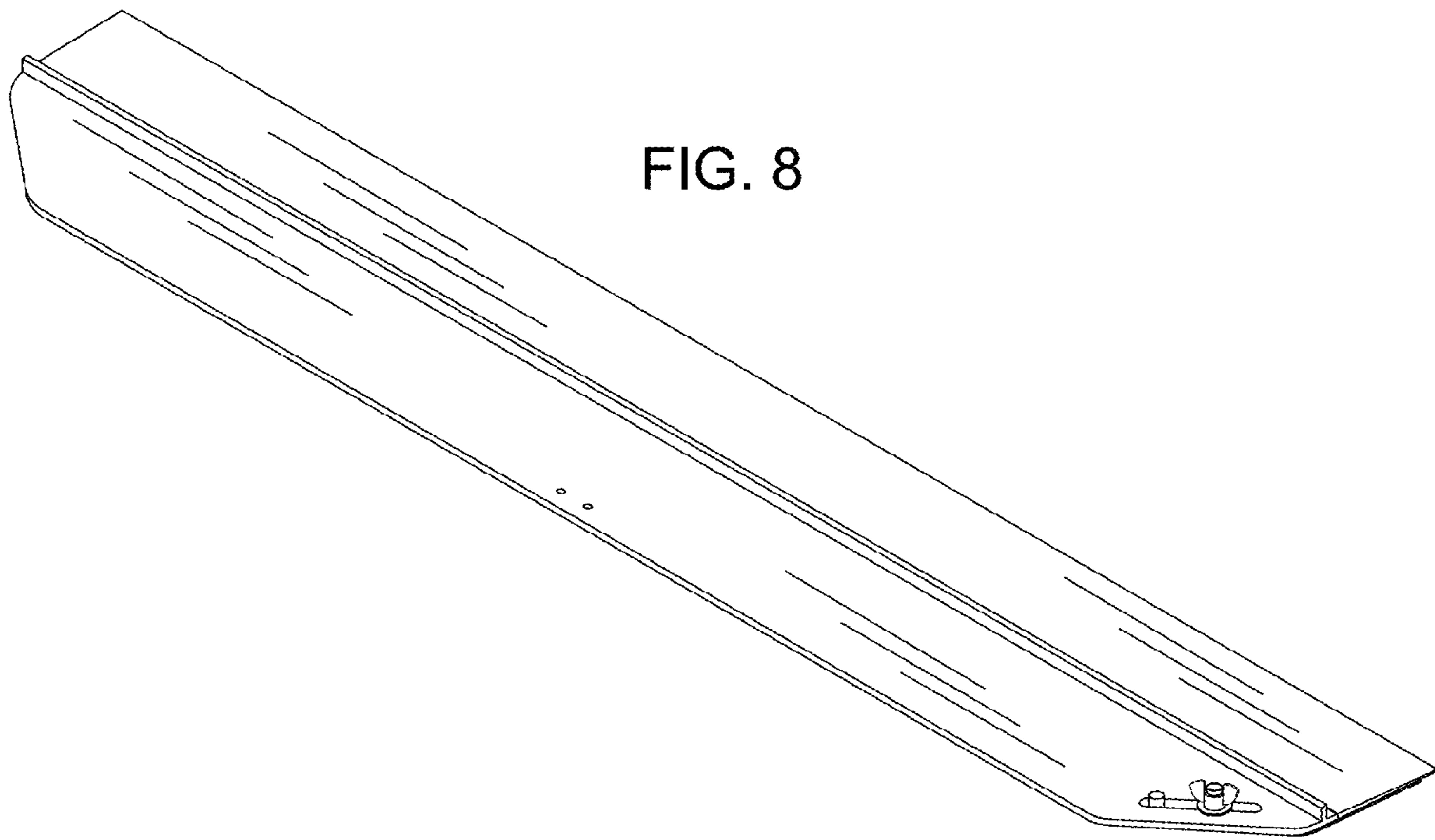


FIG. 8

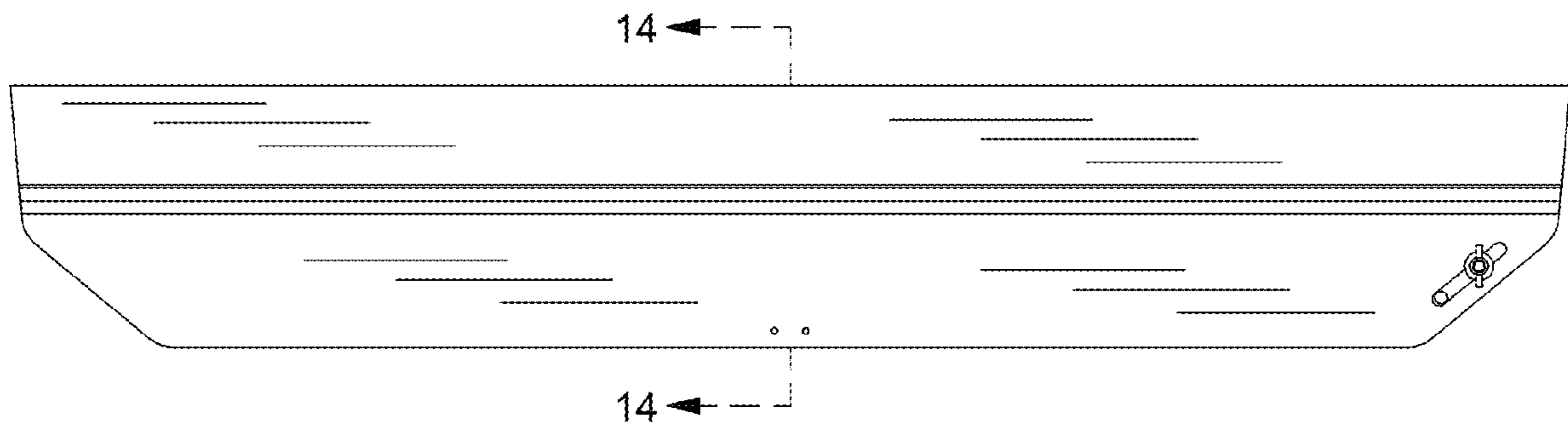


FIG. 9

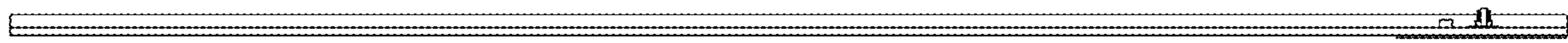


FIG. 10

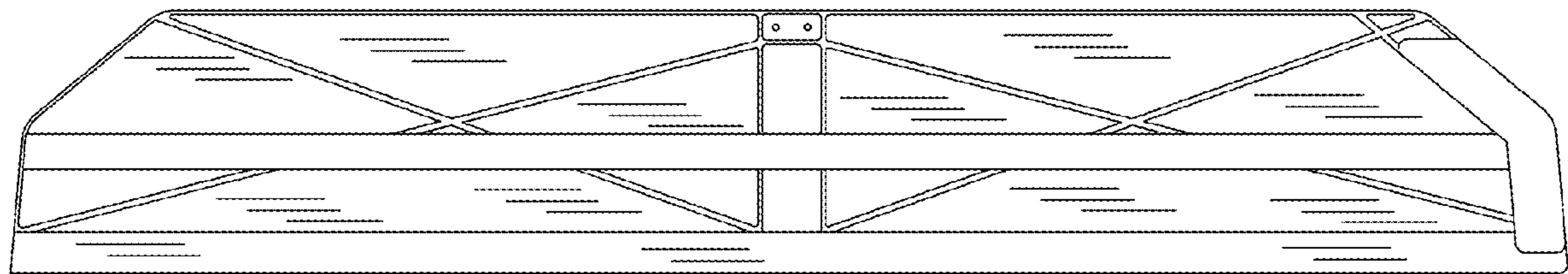


FIG. 11

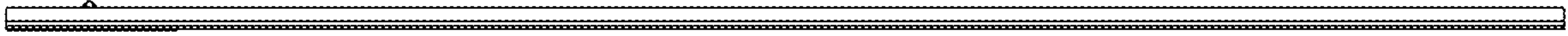


FIG. 12

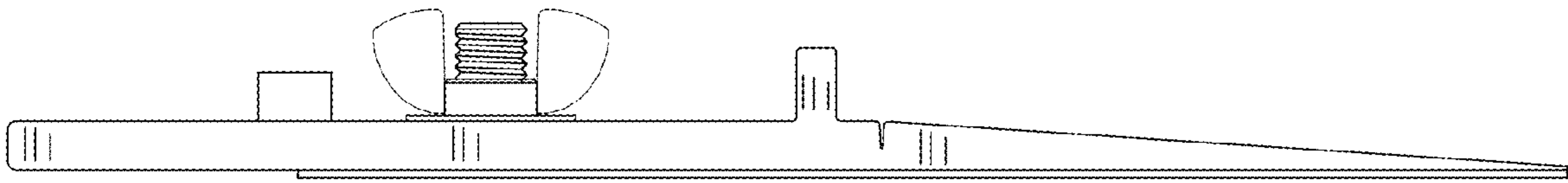


FIG. 13

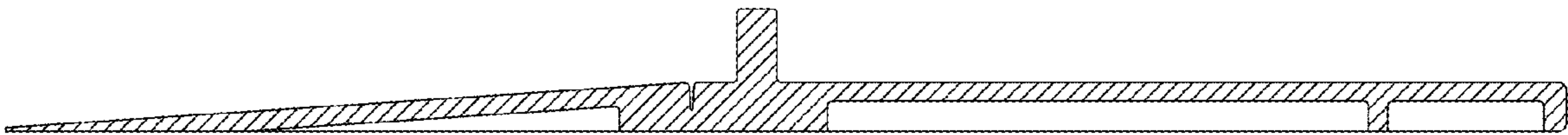


FIG. 14

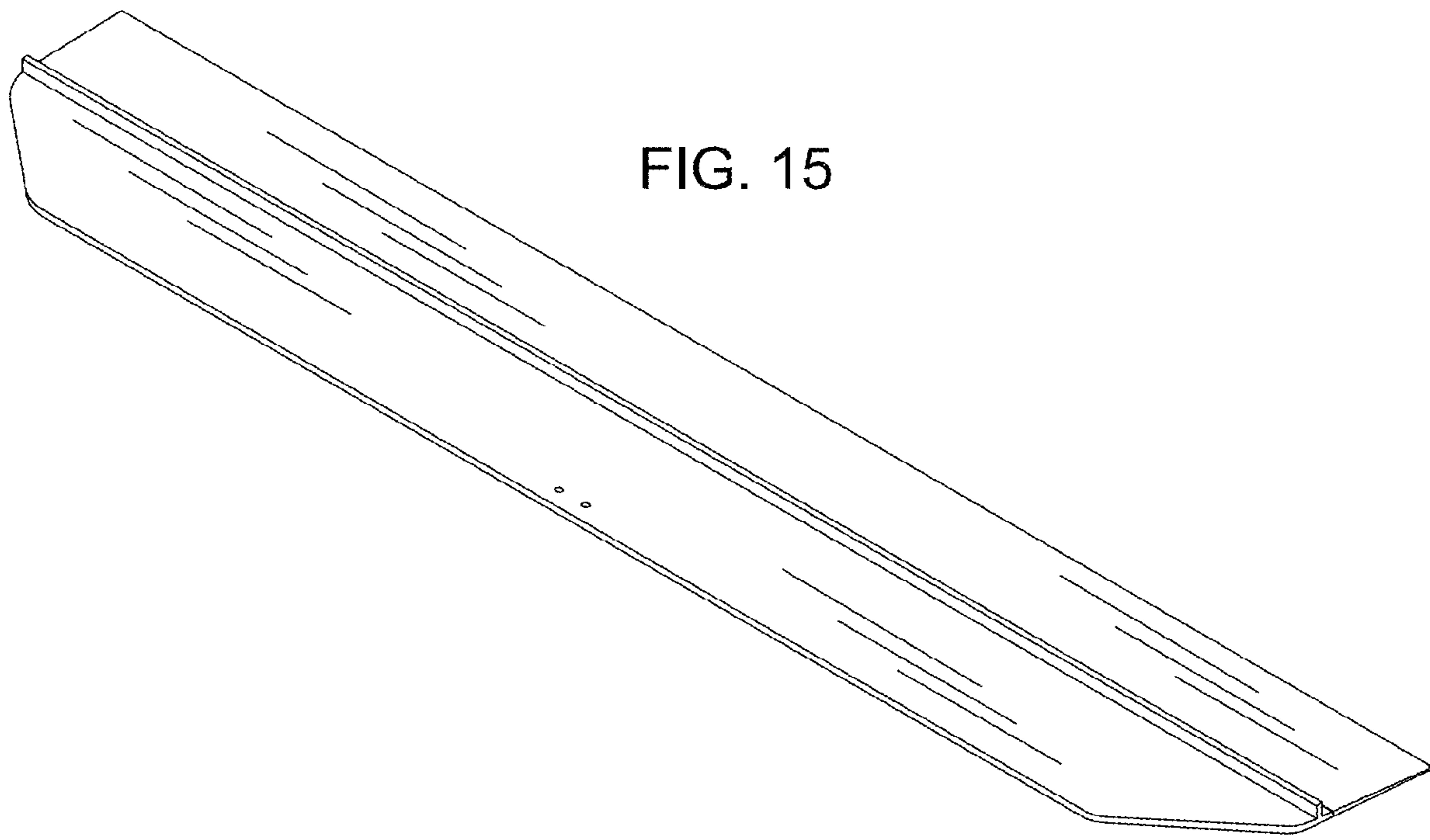


FIG. 15

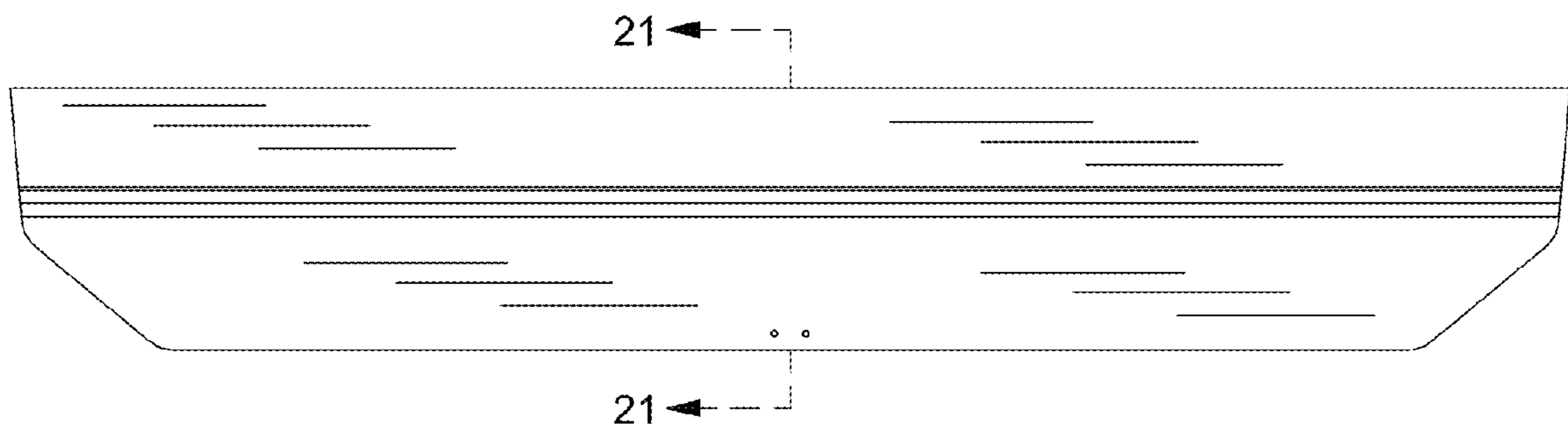


FIG. 16

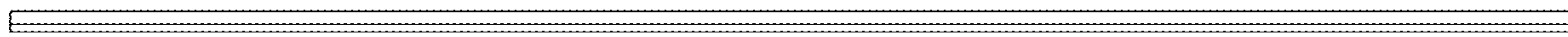


FIG. 17

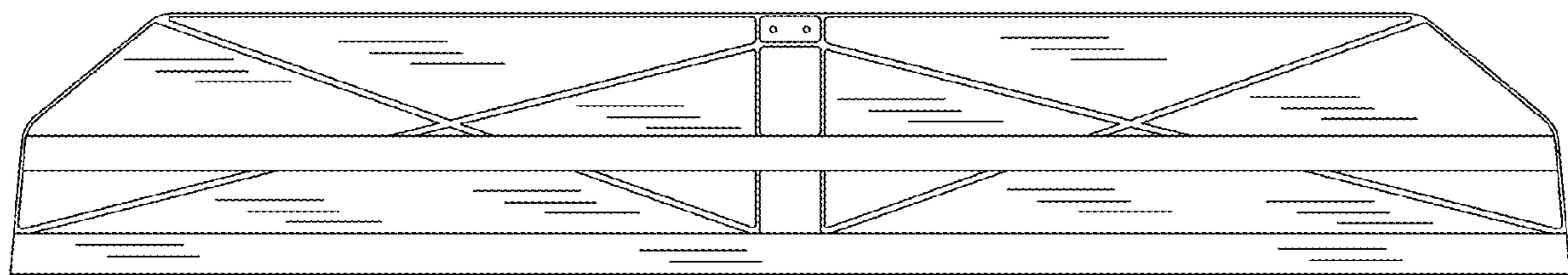


FIG. 18



FIG. 19

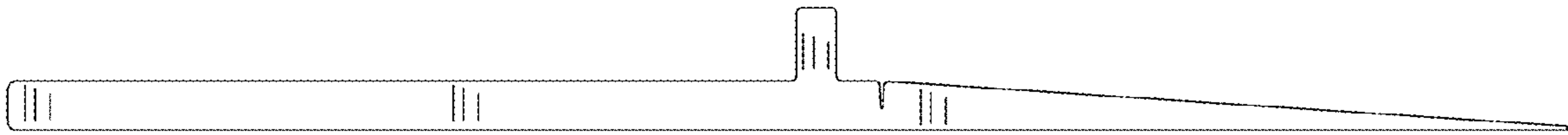


FIG. 20

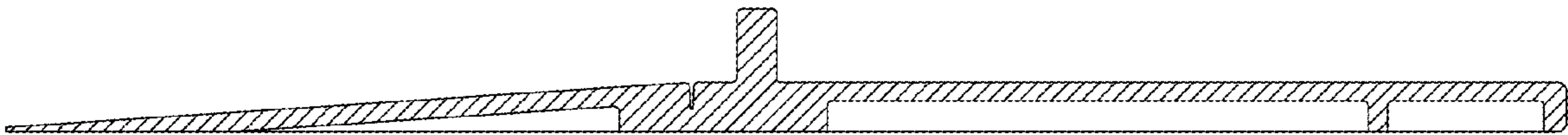
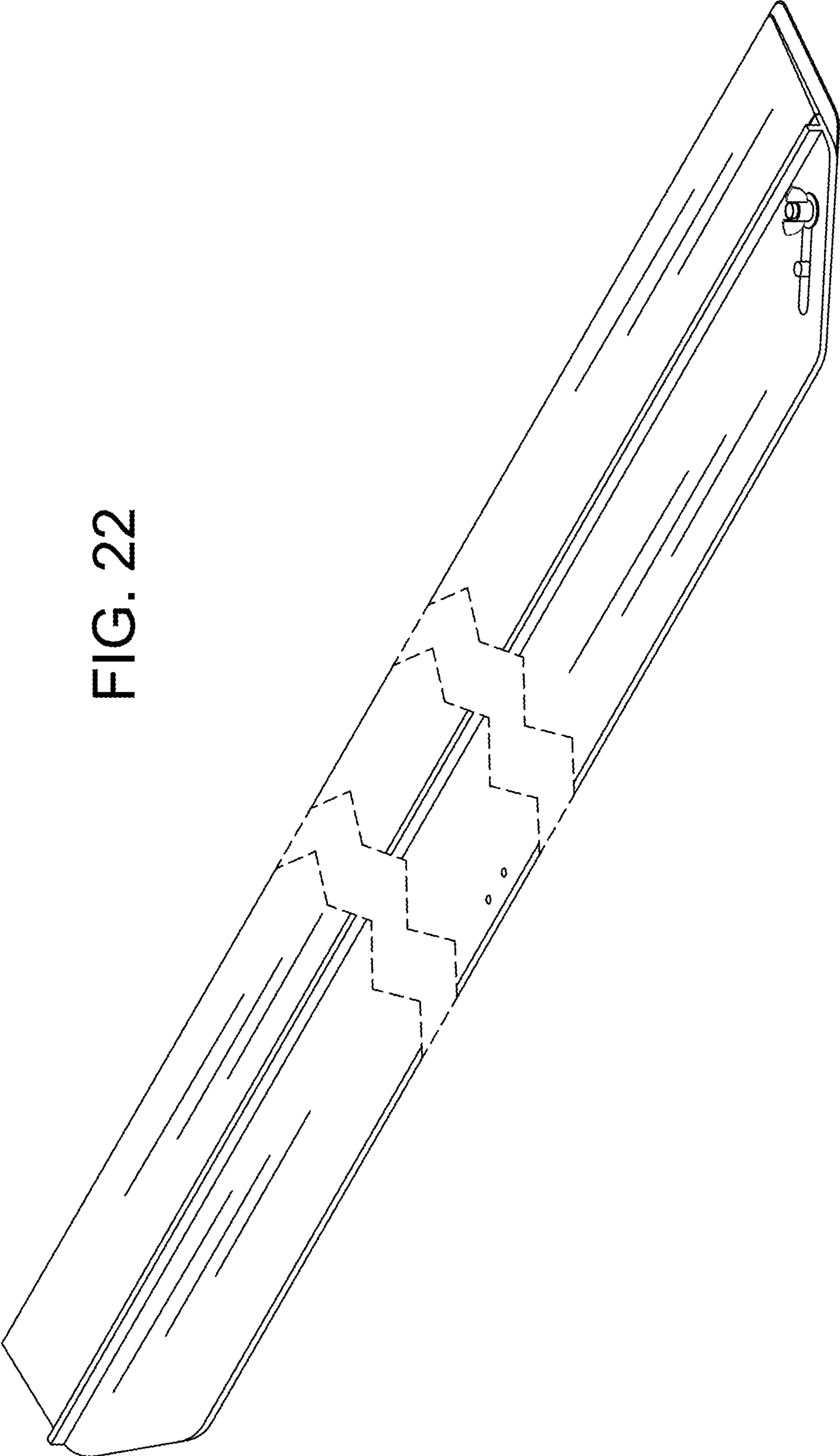


FIG. 21

FIG. 22



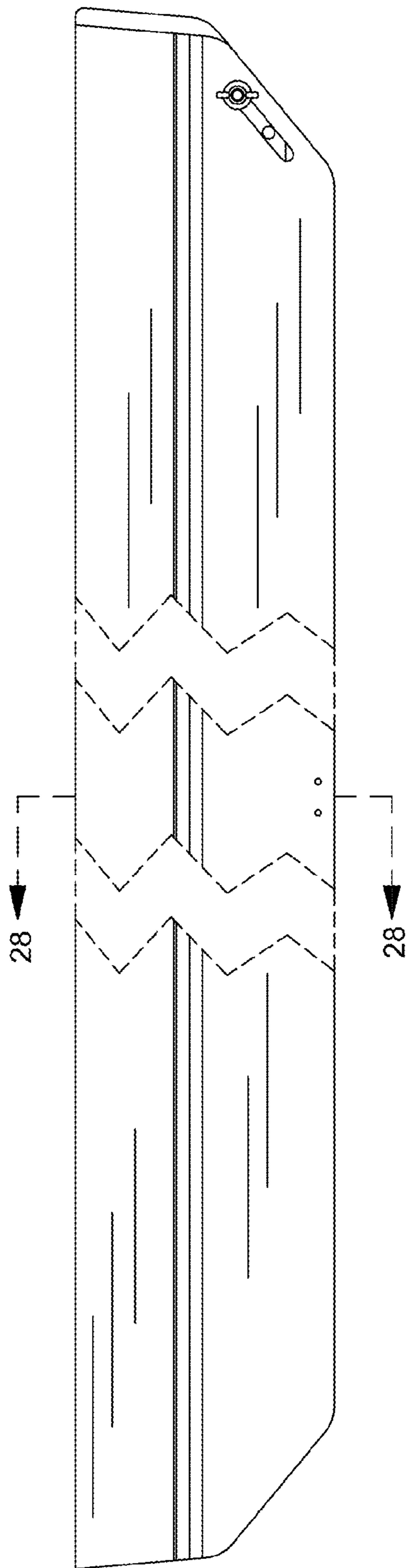


FIG. 23

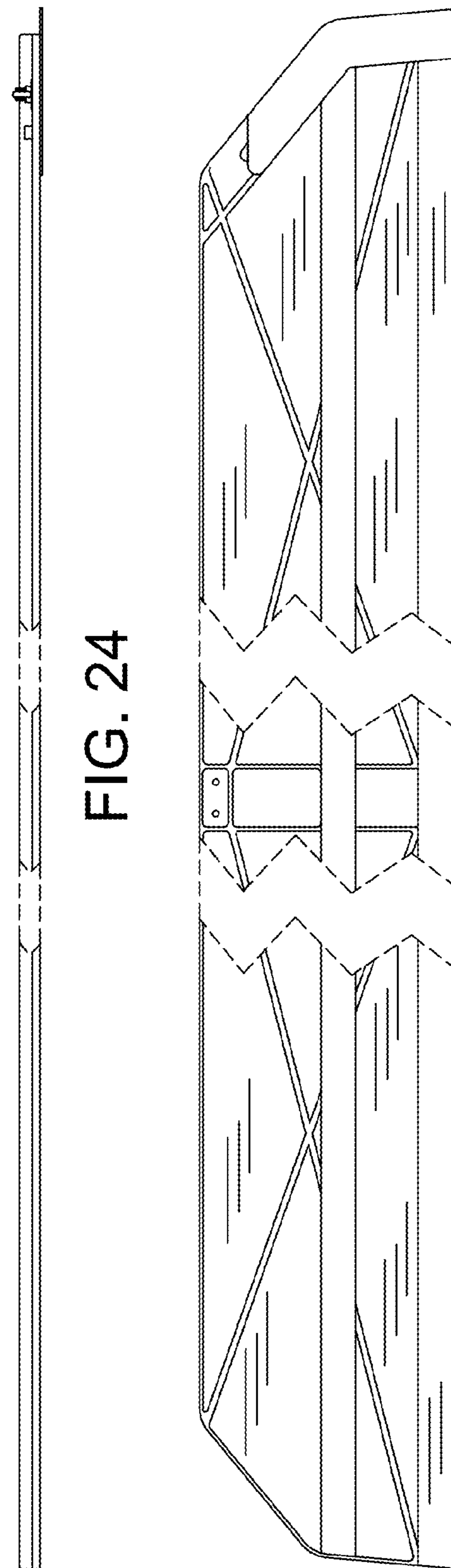


FIG. 24

FIG. 25

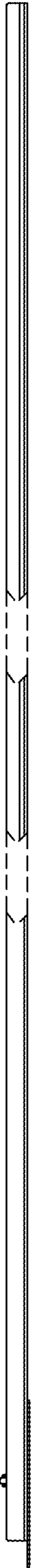


FIG. 26

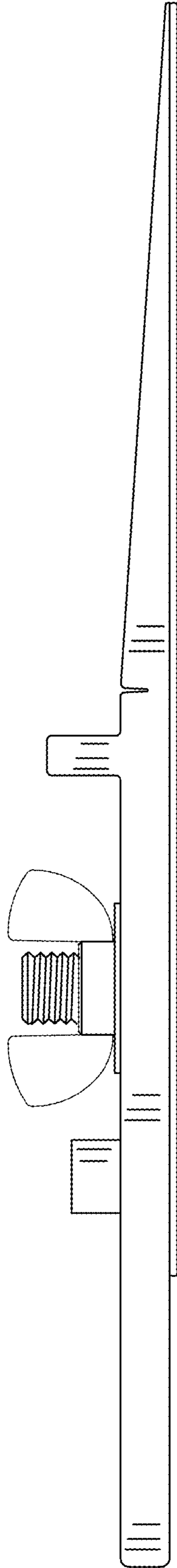


FIG. 27

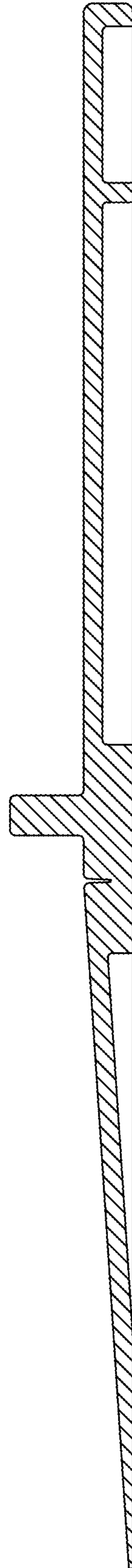


FIG. 28