



US00D921461S

(12) **United States Design Patent**  
**Hume et al.**

(10) **Patent No.:** **US D921,461 S**

(45) **Date of Patent:** **\*\* \*Jun. 8, 2021**

(54) **FOIL CUTTER**

(71) Applicant: **True Fabrications, Inc.**, Seattle, WA  
(US)

(72) Inventors: **Ryan William Hume**, Seattle, WA  
(US); **Lovina Hsin-I Hua**, Seattle, WA  
(US)

(73) Assignee: **TRUE FABRICATIONS, INC.**,  
Seattle, WA (US)

(\*) Notice: This patent is subject to a terminal disclaimer.

(\*\*) Term: **15 Years**

(21) Appl. No.: **29/657,646**

(22) Filed: **Jul. 24, 2018**

(51) **LOC (13) Cl.** ..... **07-99**

(52) **U.S. Cl.**  
USPC ..... **D8/41**

(58) **Field of Classification Search**  
USPC ..... D8/18, 33-43; D11/26-28  
CPC .. B67B 7/06; B67B 7/066; B67B 7/12; B67B  
7/16; B67B 7/18; B67B 7/20; B67B 7/24;  
B67B 7/30; B67B 7/34; B67B 2007/0458;  
B67B 2007/303

See application file for complete search history.

(56) **References Cited**

**U.S. PATENT DOCUMENTS**

1,007,502	A *	10/1911	Stephens	.....	B67B 7/44 81/3.09
2,514,566	A *	7/1950	Capriccio	.....	B67B 3/02 53/363
D277,635	S *	2/1985	Sherwood	.....	D8/18
4,854,856	A *	8/1989	Steiger, Jr.	.....	B67B 7/16 431/253
D346,187	S *	4/1994	Kino	.....	D21/532

D347,776	S *	6/1994	Brix-Hansen	.....	D8/40
D367,487	S *	2/1996	Segan	.....	D16/135
D391,134	S *	2/1998	Laib	.....	D8/33
D394,790	S *	6/1998	Joergensen	.....	D8/33
D434,623	S *	12/2000	Cheng	.....	D8/40
D439,482	S *	3/2001	Huang	.....	D8/40
D461,107	S *	8/2002	Pitt	.....	D8/17
D479,967	S *	9/2003	Schulein	.....	D8/40
D495,572	S *	9/2004	Yeung	.....	D8/40
D541,122	S *	4/2007	Chaconas	.....	B67B 7/18 D8/40
D562,503	S *	2/2008	Zutis	.....	D30/121
D568,127	S *	5/2008	Oas	.....	D8/34
D661,559	S *	6/2012	O'Connell	.....	D8/18

(Continued)

*Primary Examiner* — Elizabeth A. Albert

(74) *Attorney, Agent, or Firm* — Vicky Kaur Bajwa

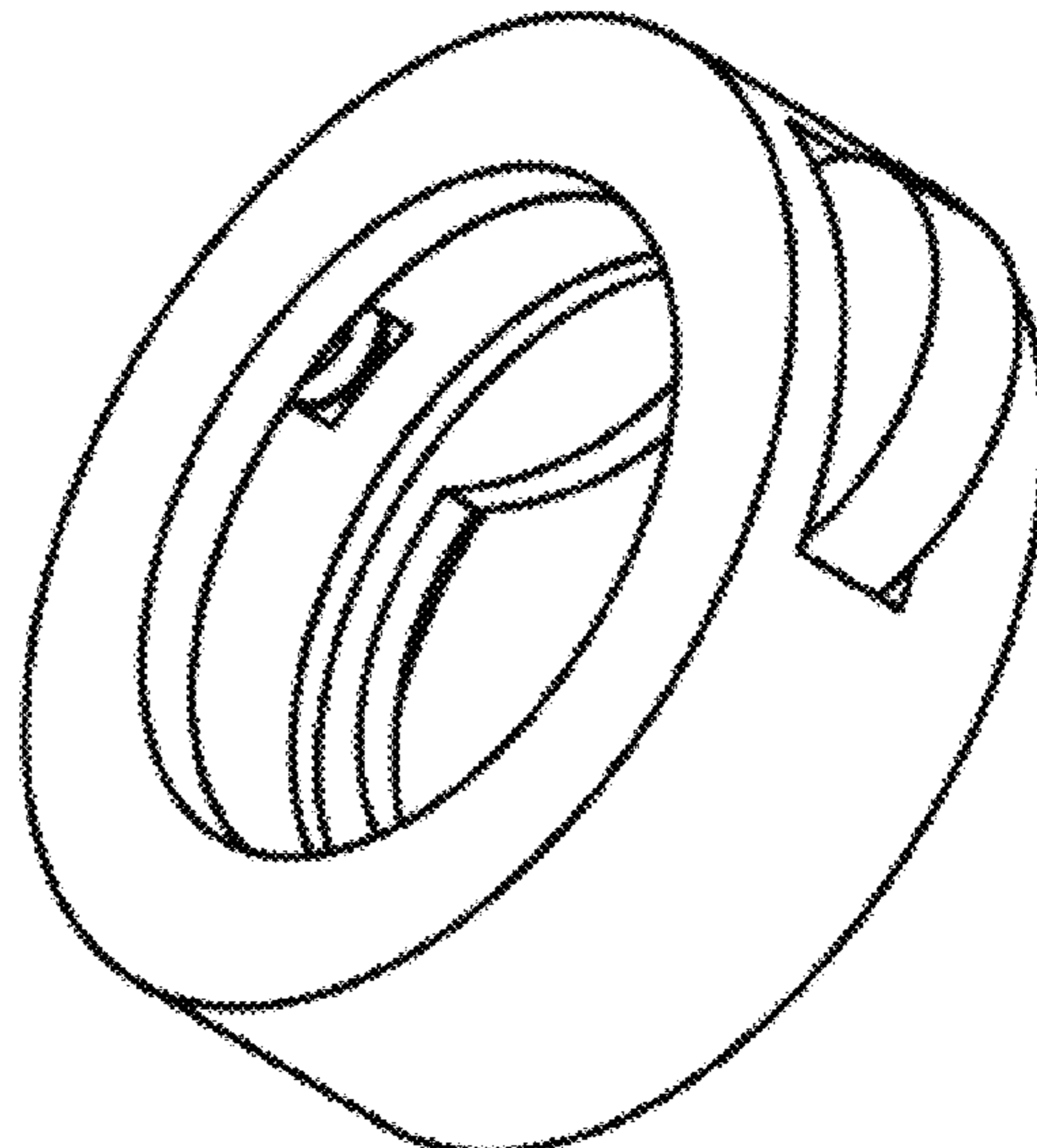
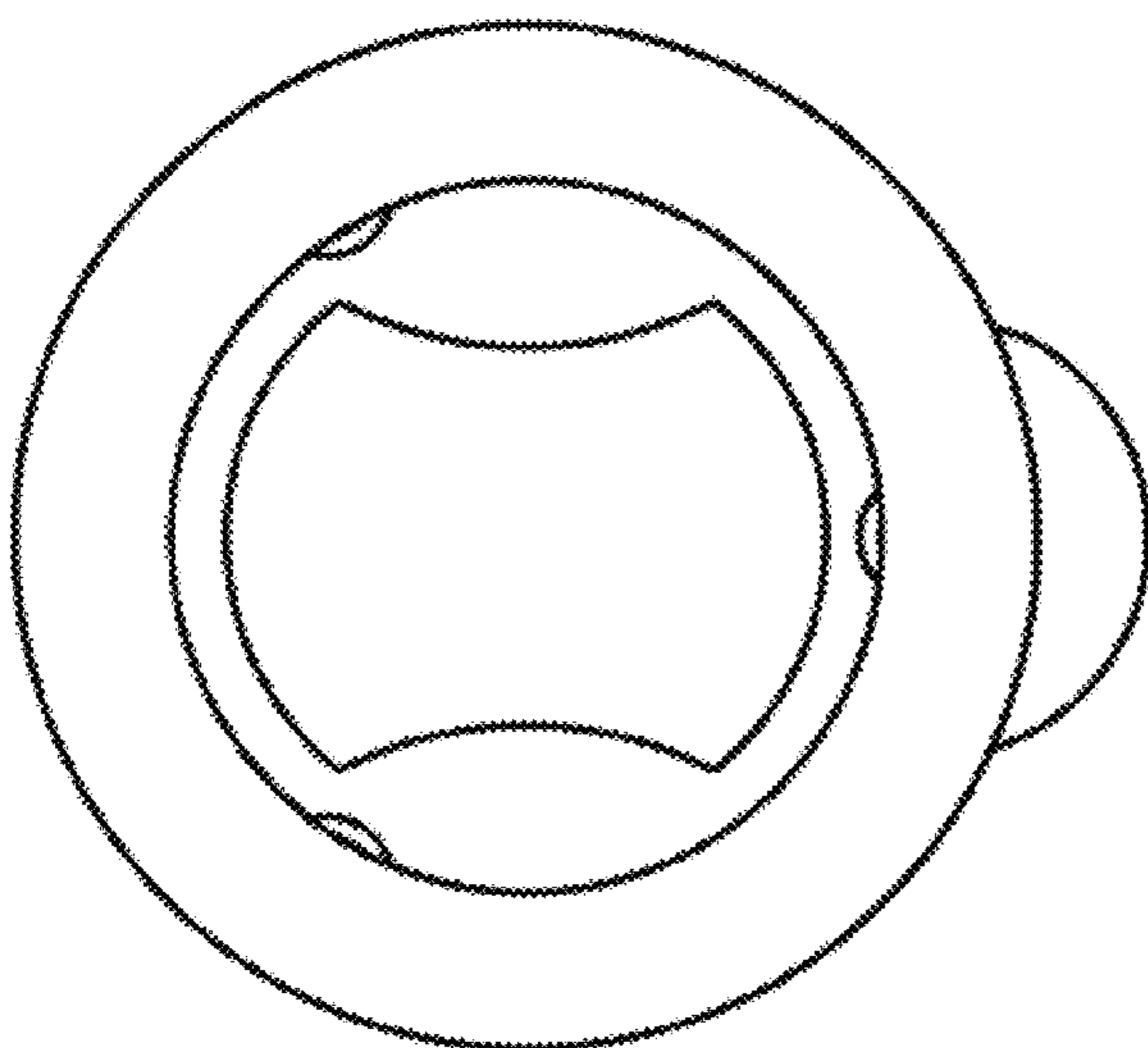
(57) **CLAIM**

The ornamental design for a foil cutter, as shown and described.

**DESCRIPTION**

FIG. 1 is a front elevation view of a foil cutter showing our new design;  
 FIG. 2 is a rear elevation view of the foil cutter of FIG. 1;  
 FIG. 3 is a right elevation view of the foil cutter of FIG. 1;  
 FIG. 4 is a left side elevation view of the foil cutter of FIG. 1;  
 FIG. 5 is a top view of the foil cutter of FIG. 1;  
 FIG. 6 is a bottom view of the foil cutter of FIG. 1;  
 FIG. 7 is a top right perspective view of the foil cutter of FIG. 1;  
 FIG. 8 is a bottom right perspective view of the foil cutter of FIG. 1;  
 FIG. 9 is a top left perspective view of the foil cutter of FIG. 1; and,  
 FIG. 10 is a bottom left perspective view of the foil cutter of FIG. 1.

**1 Claim, 1 Drawing Sheet**



(56)

**References Cited**

## U.S. PATENT DOCUMENTS

D665,438 S \* 8/2012 Jim ..... D16/135  
D693,660 S \* 11/2013 Hackett ..... D8/18  
D705,619 S \* 5/2014 Masalin ..... D8/10  
D713,699 S \* 9/2014 Bachman ..... D8/40  
8,844,405 B2 \* 9/2014 Colgan ..... B67B 7/18  
81/3.09  
D719,419 S \* 12/2014 Masalin ..... D8/10  
D758,907 S \* 6/2016 Kaiser ..... D11/2  
D763,046 S \* 8/2016 Hume ..... D8/33  
D796,925 S \* 9/2017 Hsieh ..... D8/33  
D839,703 S \* 2/2019 Verbowski ..... D8/33  
D847,597 S \* 5/2019 Cotan ..... D8/41  
2005/0252343 A1 \* 11/2005 Turner ..... B67B 7/16  
81/3.09  
2007/0079670 A1 \* 4/2007 Chaconas ..... B67B 7/18  
81/3.55  
2007/0089569 A1 \* 4/2007 Hernandez, Jr. .... B67B 7/16  
81/3.09  
2010/0294083 A1 \* 11/2010 Hastings ..... B67B 7/00  
81/3.47  
2016/0046473 A1 \* 2/2016 Jordan ..... B67B 7/16  
81/3.09  
2019/0225367 A1 \* 7/2019 Dosanjh ..... B65D 5/4208

\* cited by examiner

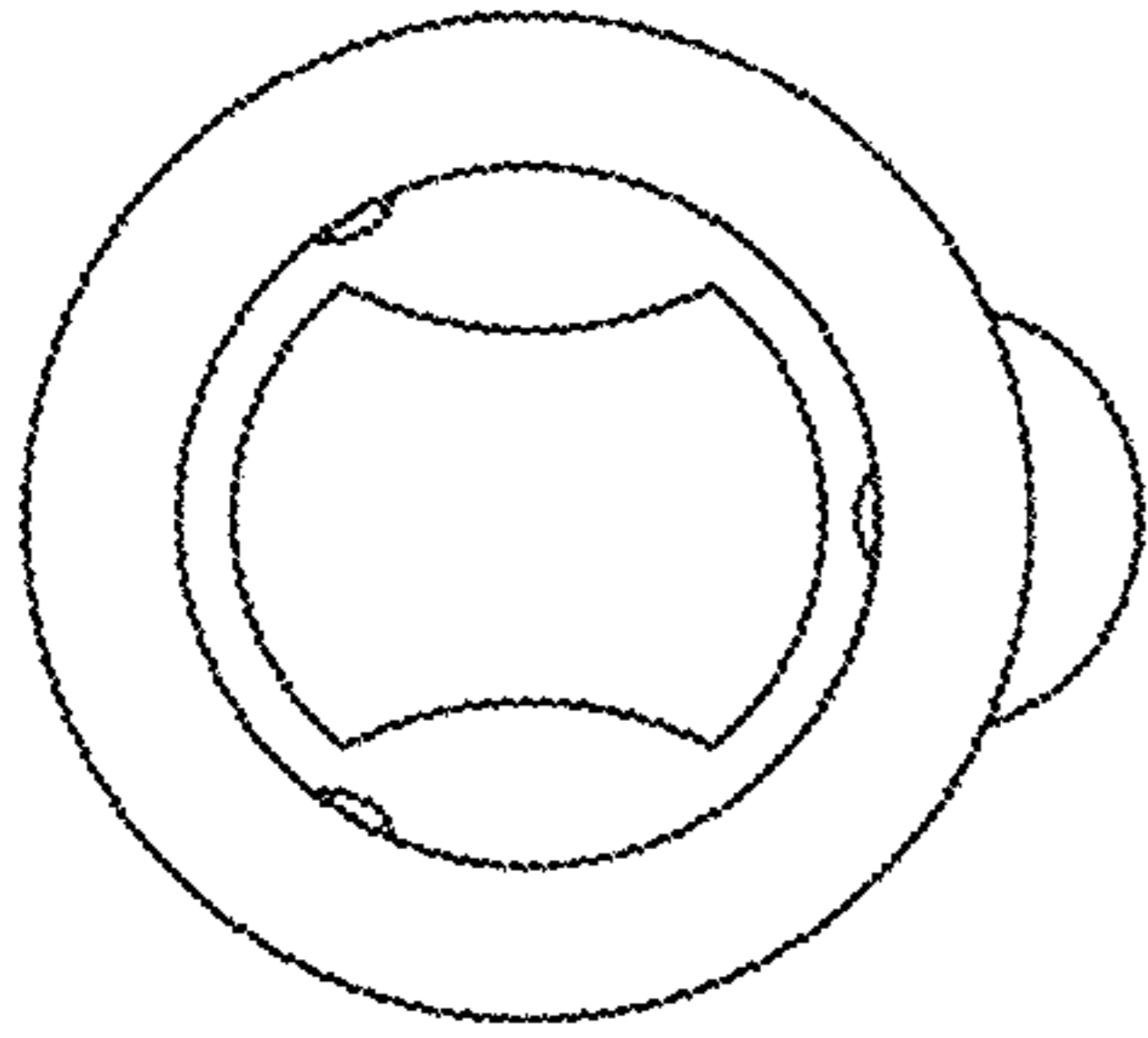


FIG. 1

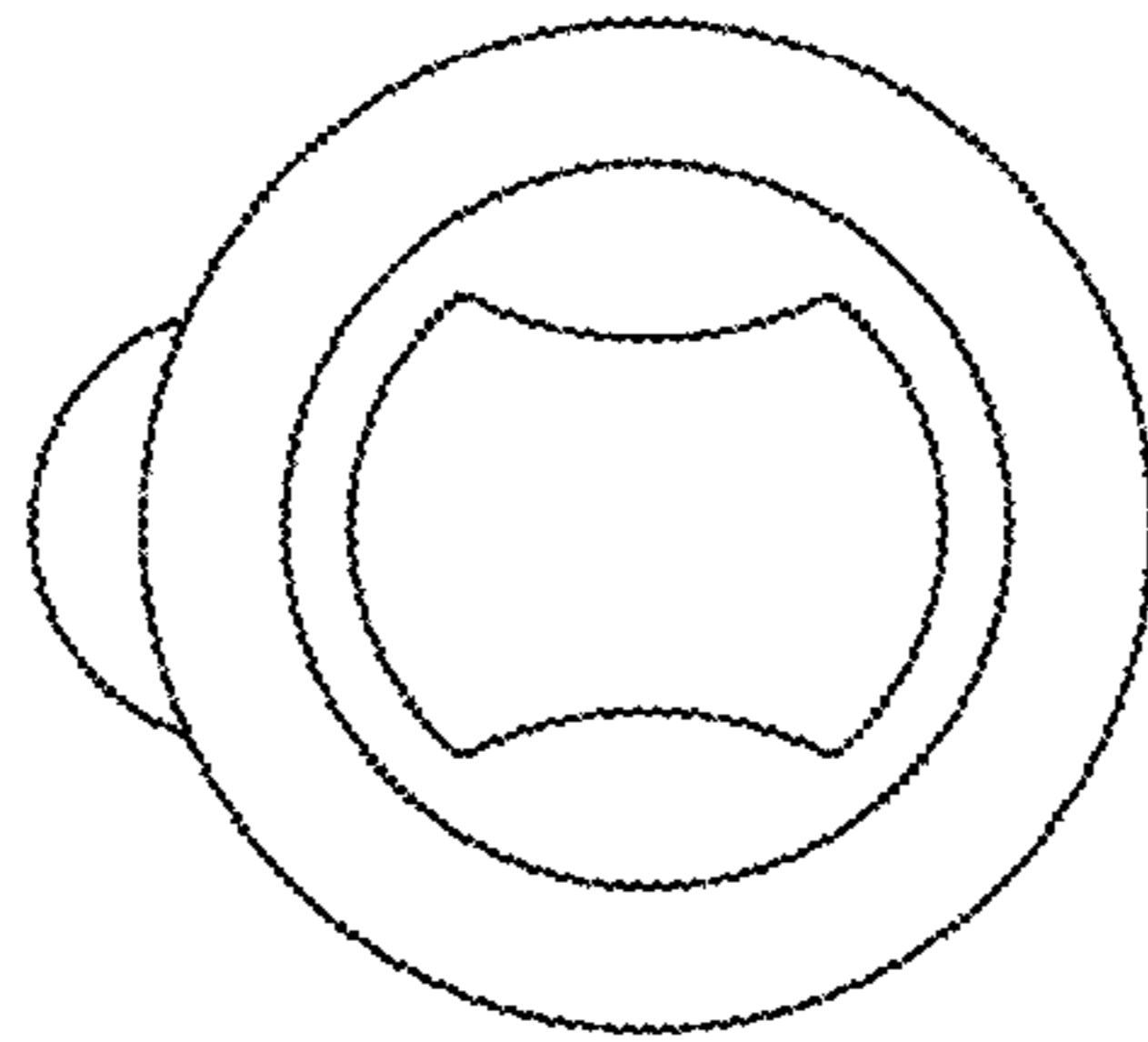


FIG. 2

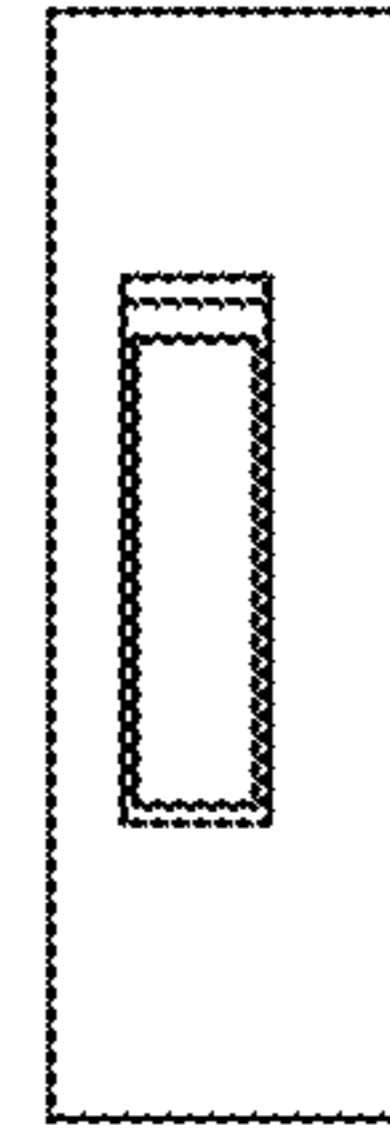


FIG. 3



FIG. 4



FIG. 5



FIG. 6

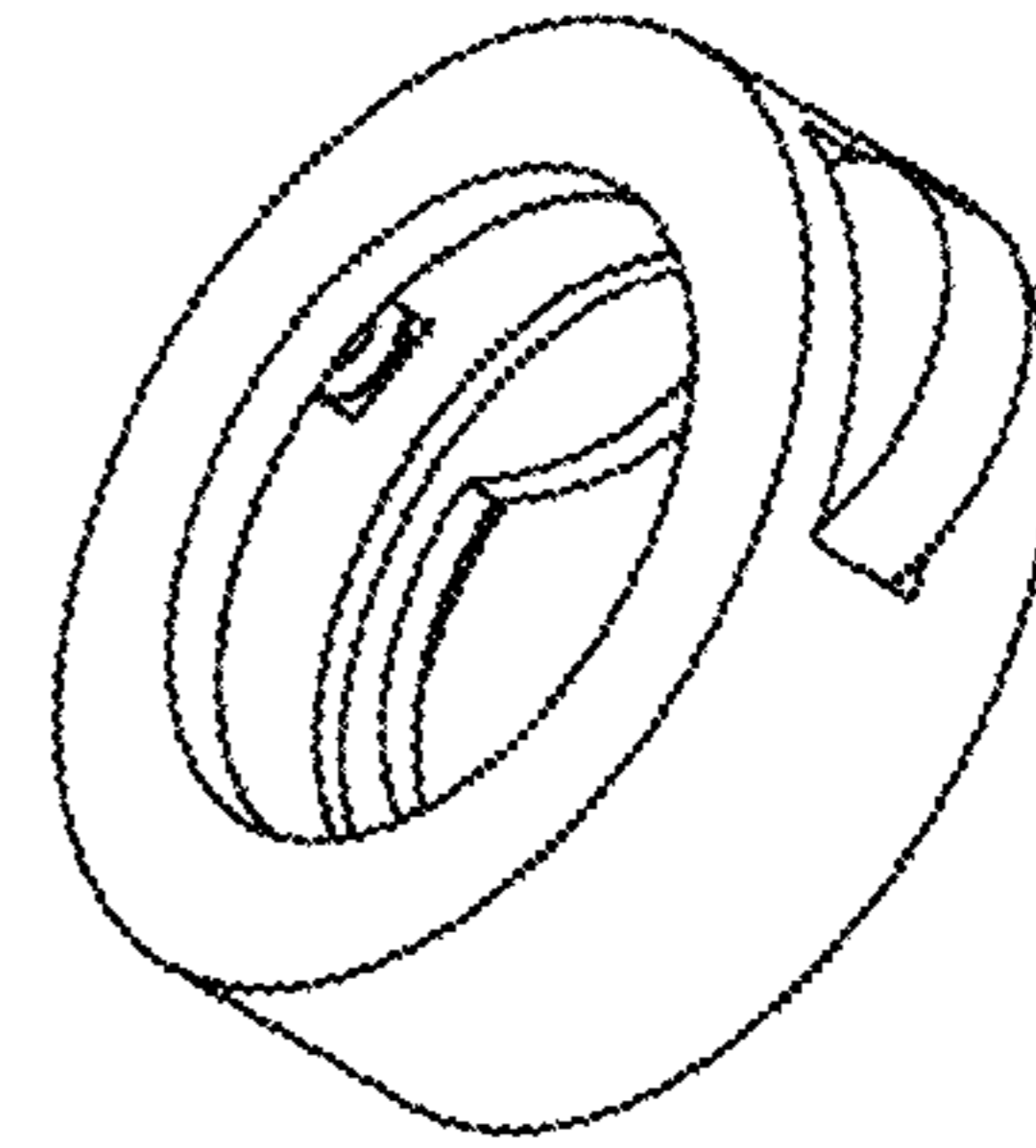


FIG. 7

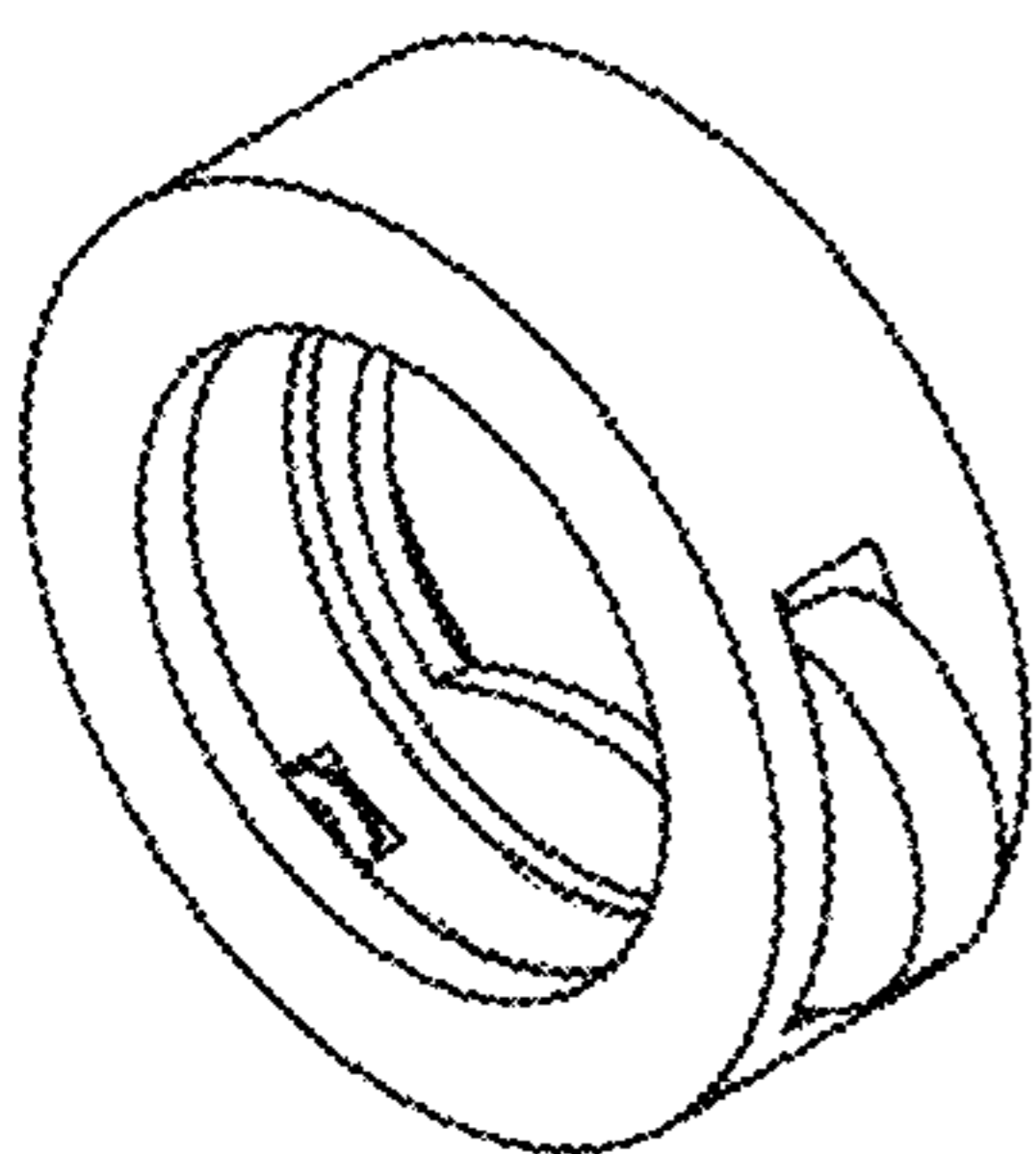


FIG. 8

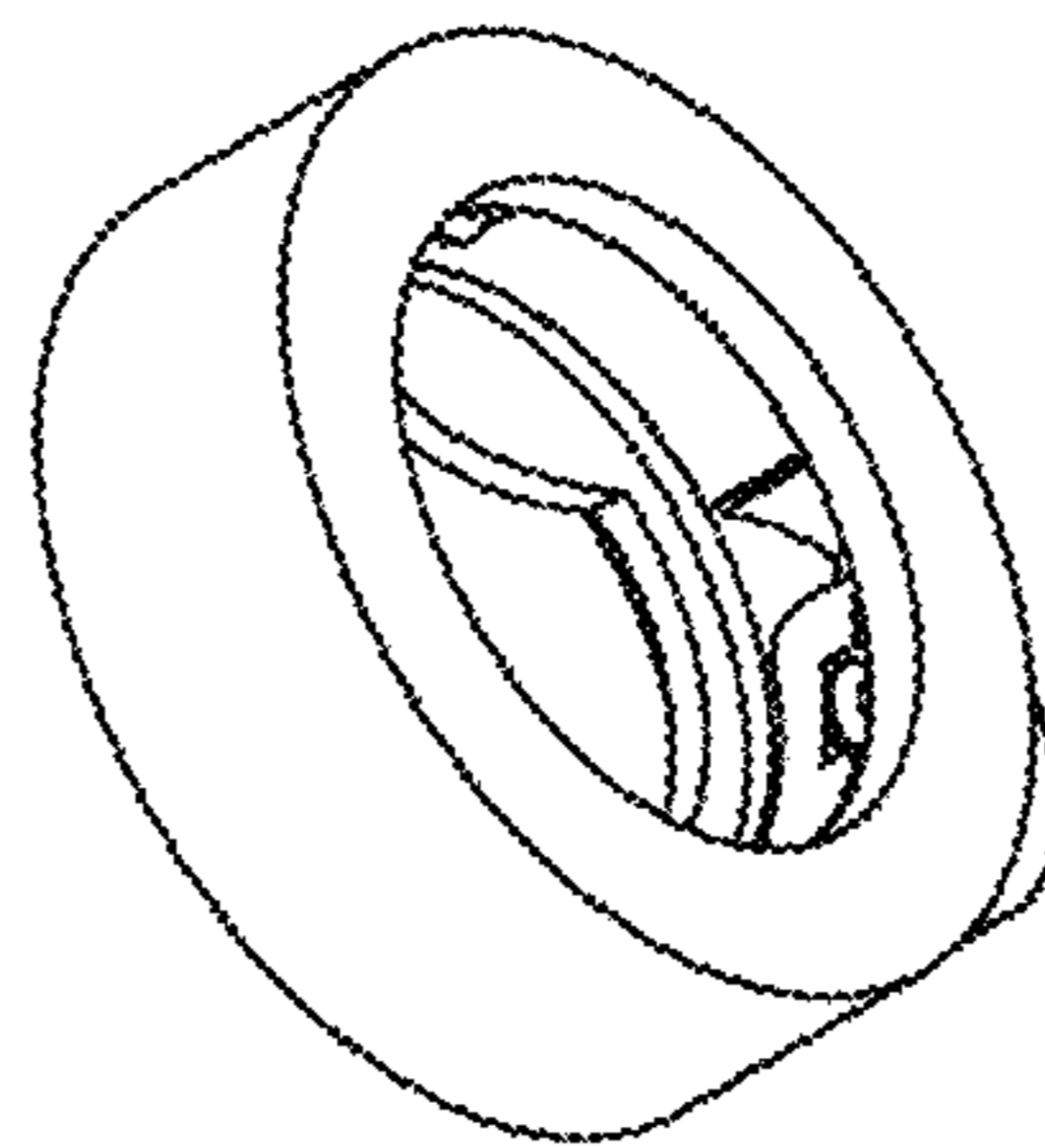


FIG. 9

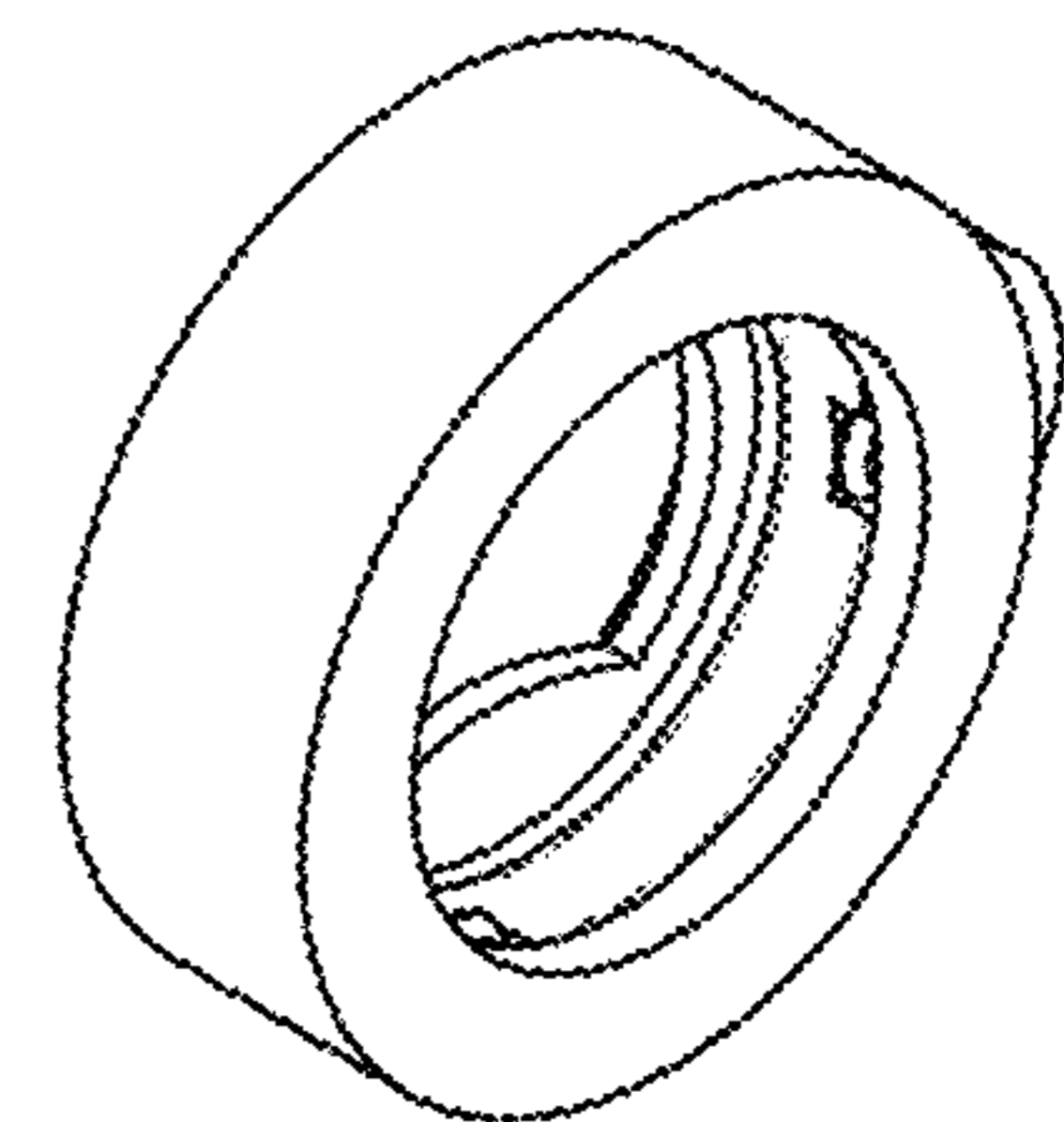


FIG. 10