



US00D921460S

(12) **United States Design Patent**
Caballero

(10) **Patent No.:** **US D921,460 S**
(45) **Date of Patent:** **** Jun. 8, 2021**

- (54) **TACK REMOVAL IMPLEMENT**
- (71) Applicant: **Marta Caballero**, Fort Worth, TX (US)
- (72) Inventor: **Marta Caballero**, Fort Worth, TX (US)
- (**) Term: **15 Years**
- (21) Appl. No.: **29/722,113**
- (22) Filed: **Jan. 27, 2020**
- (51) **LOC (13) Cl.** **08-05**
- (52) **U.S. Cl.**
USPC **D8/14; D8/89**
- (58) **Field of Classification Search**
USPC D8/14, 47, 48, 88, 89; D32/46
CPC B25F 1/00; B25C 11/00
See application file for complete search history.

D869,923 S * 12/2019 Hartt D8/47
 D906,775 S * 1/2021 Losness D8/14
 2011/0016688 A1* 1/2011 Townsend B25B 27/0035
 29/426.5

OTHER PUBLICATIONS

EZ Tack-It Kit. Product Listing [online]. Pinterest.com [retrieved on Jun. 20, 2019]. Retrieved from the Internet: <URL: https://www.hobbylobby.com/Fabric-Sewing/Sewing-Quilting-Notions/Upholstery/EZ-Tack-It-Kit/p/49435?gclid=CjwKCAjw3azoBRAXEiwA_64Oq9GZg31a3va23-LcL9asD69QR29nJgKIHoIVuMVGelJZmbbENBmthoCGiYQAvD_BwE>.

* cited by examiner

Primary Examiner — Philip S Hyder
 (74) *Attorney, Agent, or Firm* — Cramer Patent & Design, PLLC; Aaron R. Cramer

(56) **References Cited**

U.S. PATENT DOCUMENTS

2,687,540	A	8/1954	Noll	
2,753,150	A	7/1956	Gibson	
3,009,155	A	11/1961	Leniz	
3,218,030	A	11/1965	Baro	
3,549,075	A	12/1970	Tsunemi	
D282,344	S *	1/1986	Wilcox	D8/14
4,881,676	A	11/1989	St. Peter	
D389,966	S *	1/1998	Melodia	D32/46
5,820,107	A *	10/1998	Hall	B25C 11/00 254/25
5,884,900	A	3/1999	Gobeil et al.	
D428,569	S *	7/2000	Miles	D8/14
D439,490	S *	3/2001	Bagley	D8/89
6,409,152	B1 *	6/2002	Bagley	B25C 3/008 254/18
D536,228	S *	2/2007	Huang	D8/102
D602,323	S *	10/2009	Alleyne	D8/14

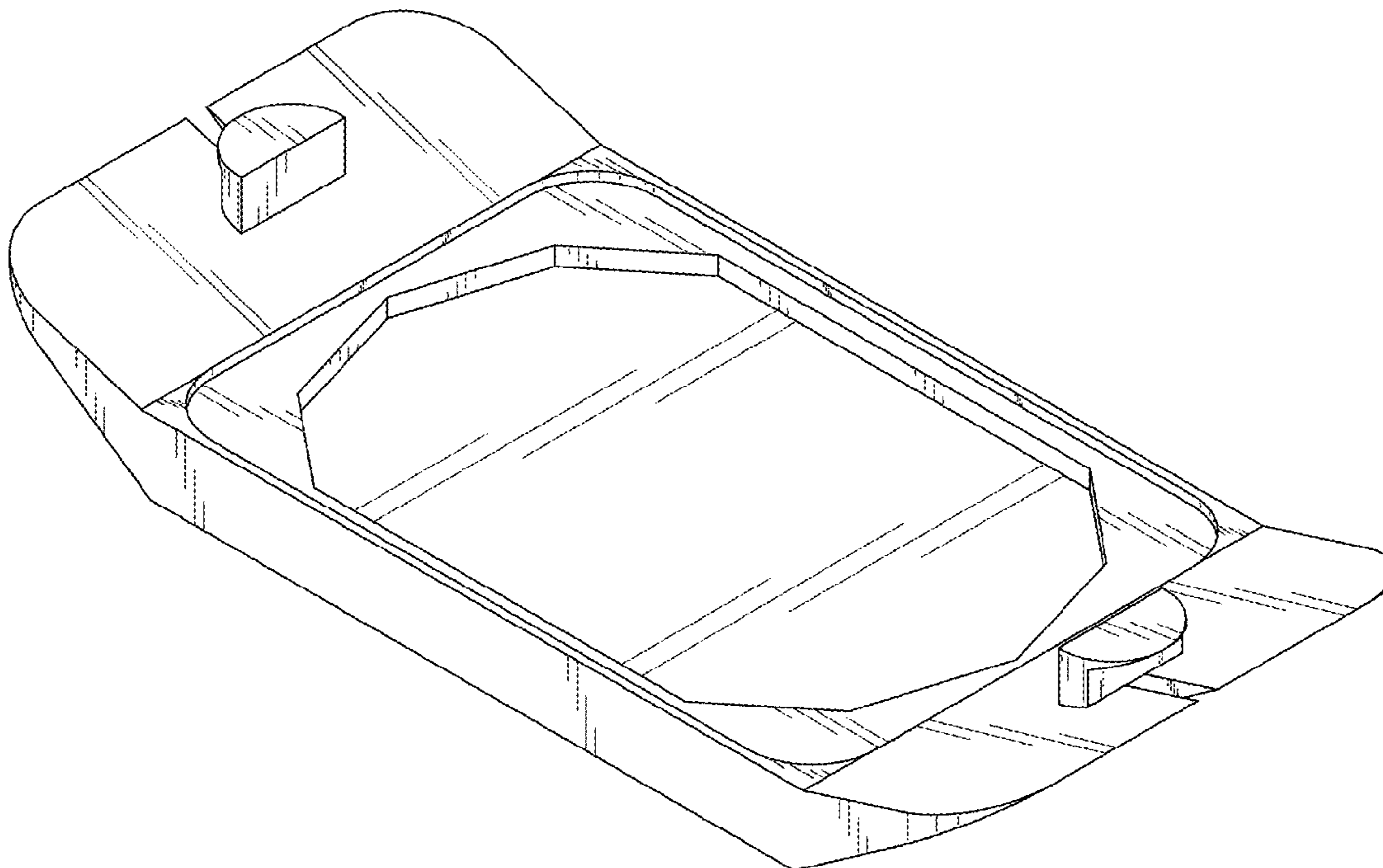
(57) **CLAIM**

The ornamental design for a tack removal implement, as shown and described.

DESCRIPTION

FIG. 1 is a perspective top front right view of a tack removal implement, showing my new design;
 FIG. 2 is a front elevation view thereof, wherein a rear elevation view is an identical image thereof;
 FIG. 3 is a right side elevation view thereof, wherein a left side elevation view is an identical image thereof;
 FIG. 4 is a top plan view thereof; and,
 FIG. 5 is a bottom plan view thereof.

1 Claim, 4 Drawing Sheets



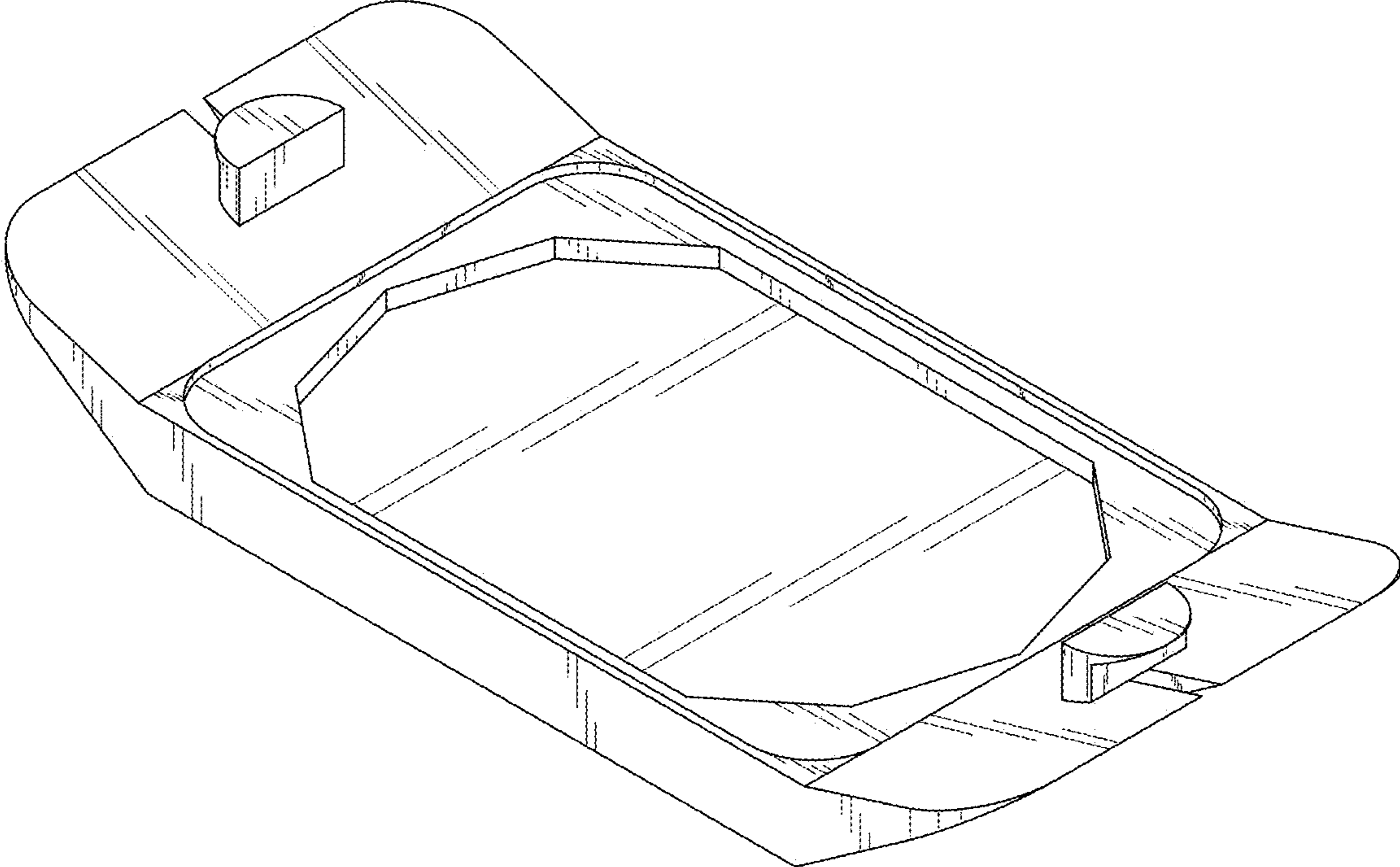


FIG. 1

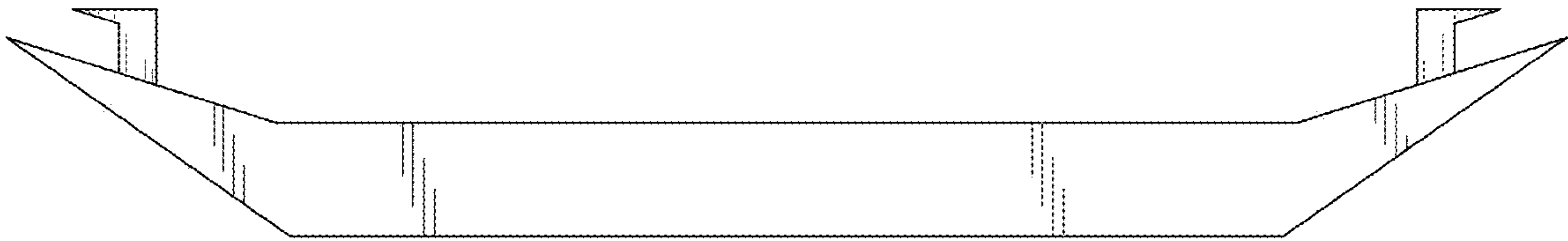


FIG. 2

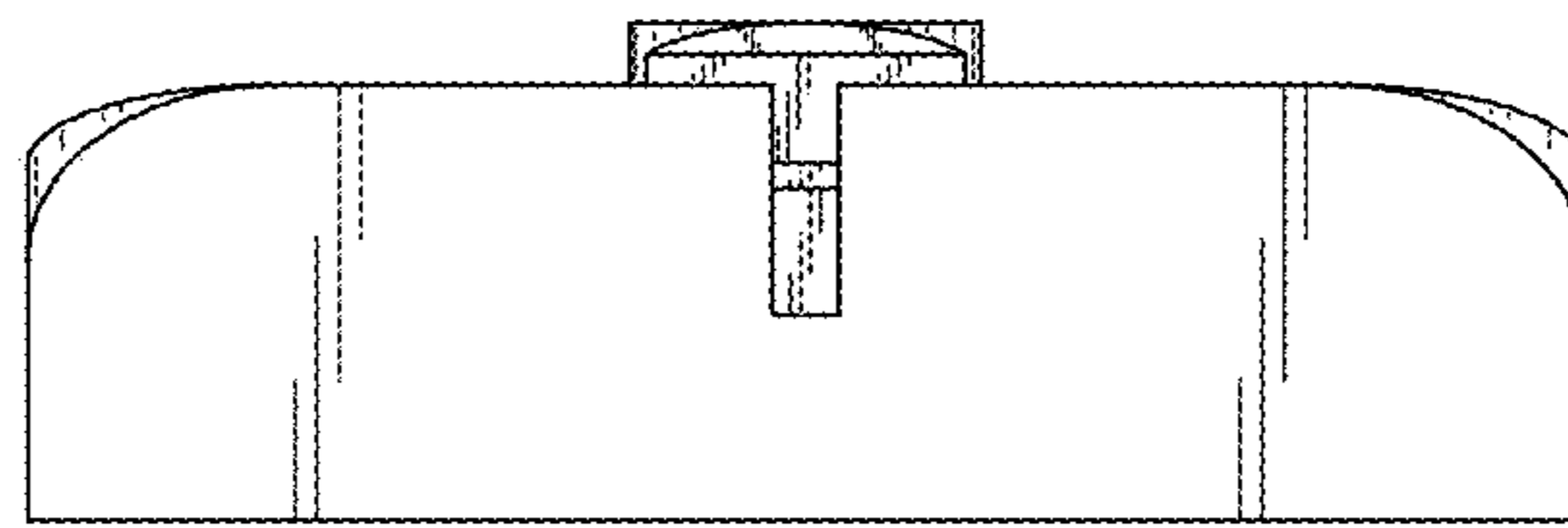


FIG. 3

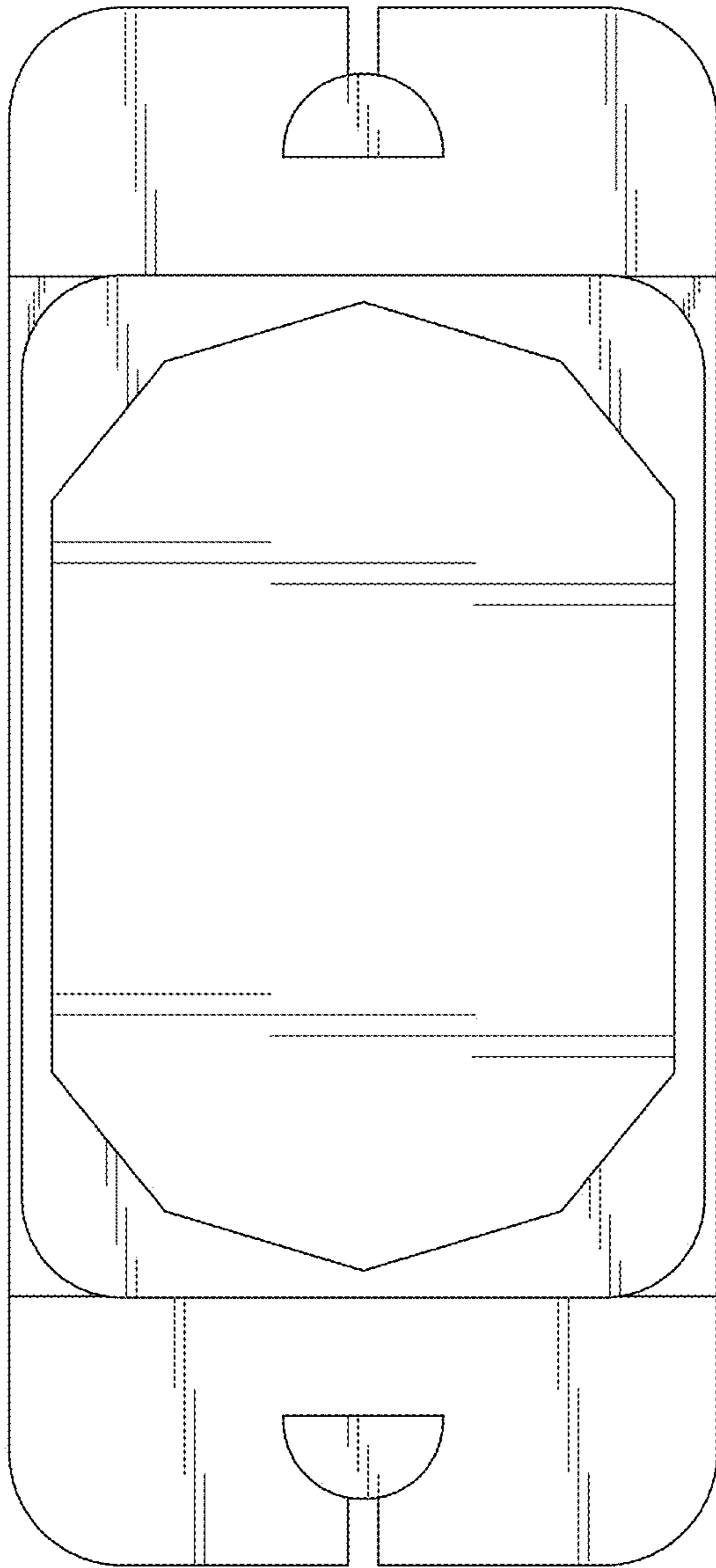


FIG. 4

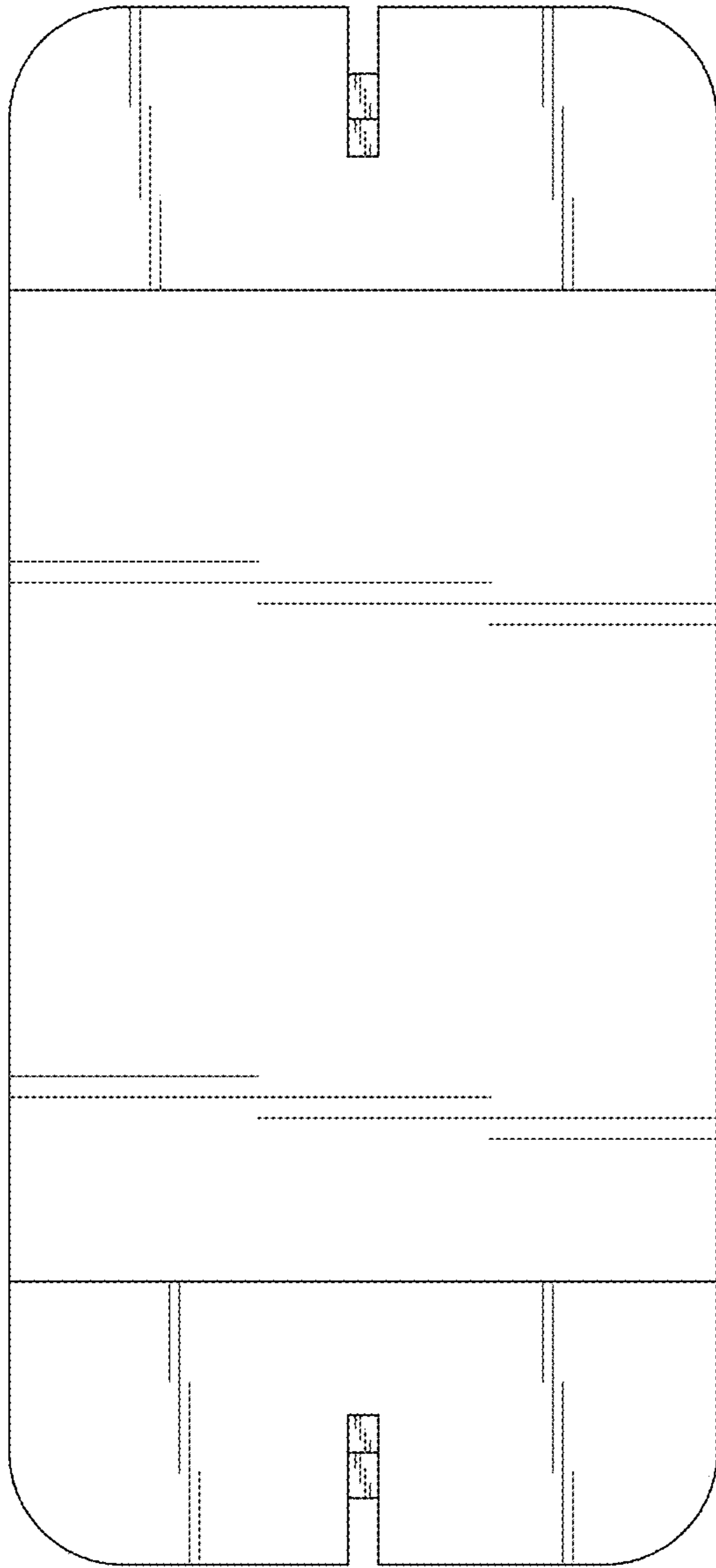


FIG. 5