



US00D921457S

(12) **United States Design Patent**
Roberts et al.

(10) **Patent No.:** **US D921,457 S**
(45) **Date of Patent:** **** Jun. 8, 2021**

(54) **PRUNER**
(71) Applicant: **Fiskars Finland Oy Ab**, Helsinki (FI)
(72) Inventors: **Colin Roberts**, Helsinki (FI); **Stephen Dechant**, Helsinki (FI)
(73) Assignee: **FISKARS FINLAND OY AB**, Helsinki (FI)
(**) Term: **15 Years**

D422,856 S * 4/2000 Wu D8/5
D426,755 S 6/2000 Wu
6,260,277 B1 * 7/2001 Wu A01G 3/02
30/232
D457,040 S 5/2002 Hirschfeld
D458,094 S 6/2002 Clivio
D458,815 S 6/2002 Meyerratken
D458,816 S 6/2002 Meyerratken
D459,168 S * 6/2002 Meyerratken D8/5
6,418,626 B1 * 7/2002 Jang A01G 3/02
30/254
D463,227 S 9/2002 Choi
D472,433 S 4/2003 Richwine

(21) Appl. No.: **29/710,931**

(22) Filed: **Oct. 28, 2019**

(51) **LOC (13) Cl.** **08-03**

(52) **U.S. Cl.**
USPC **D8/5**

(58) **Field of Classification Search**
USPC D8/4, 5, 7, 51, 52, 57
CPC A01G 2003/005; A01G 2/35; A01G 3/02;
A01G 3/065; A01G 3/021; A01G
2003/023; B26B 13/26; B26B 13/28;
B26B 13/285; B26B 13/16; B25B 7/14
See application file for complete search history.

(56) **References Cited**

U.S. PATENT DOCUMENTS

1,814,113 A * 7/1931 Bernard A01G 3/02
30/262
4,073,059 A 2/1978 Wallace et al.
4,079,513 A 3/1978 Harrison
4,268,963 A 5/1981 Harrison
4,341,016 A 7/1982 Harrison et al.
5,058,277 A 10/1991 Kishimoto
D336,412 S 6/1993 Wensley
5,367,774 A 11/1994 Labarre et al.
5,426,857 A 6/1995 Linden
D377,588 S 1/1997 Birkholz
D396,615 S 8/1998 Spear
5,987,755 A * 11/1999 Shih B26B 13/16
30/254

Primary Examiner — Sandra Snapp
Assistant Examiner — Ieisha N Price
(74) *Attorney, Agent, or Firm* — Leason Ellis LLP

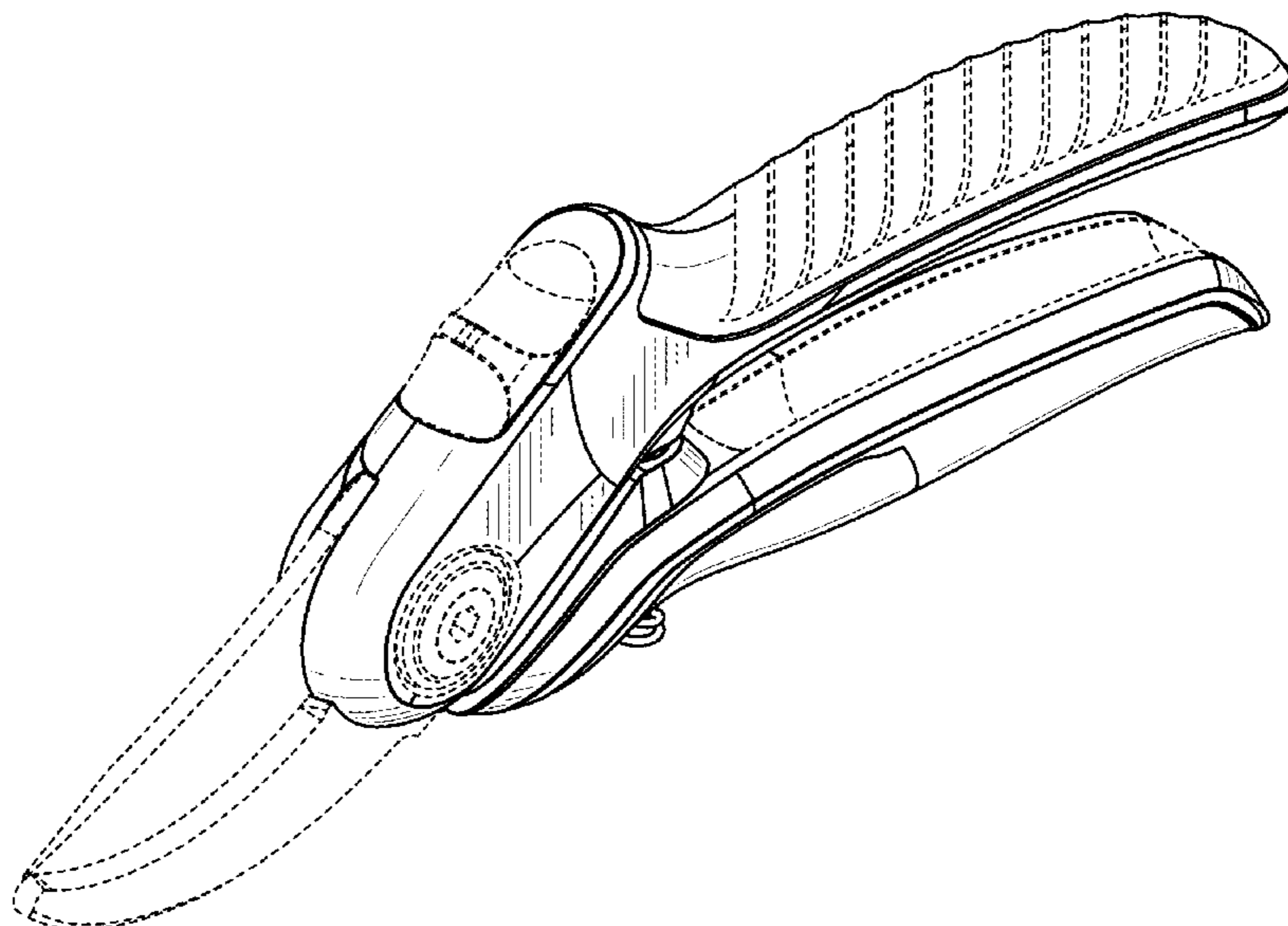
(57) **CLAIM**

The ornamental design for a pruner, as shown and described.

DESCRIPTION

FIG. 1 is a top plan view of our pruner according to our new design;
FIG. 2 is a left, side view thereof;
FIG. 3 is a right, side view thereof;
FIG. 4 is a bottom-left rear perspective view thereof;
FIG. 5 is a bottom-left front perspective view thereof;
FIG. 6 is a top-left rear perspective view thereof;
FIG. 7 is a top-left front perspective view thereof;
FIG. 8 is a front view thereof;
FIG. 9 is a bottom plan view thereof; and,
FIG. 10 is a rear view thereof.
The broken lines in the drawings illustrate portions of the pruner and form no part of the claimed design.
Conventional shading is illustrated for purposes of highlighting the line drawings, but forms no part of the claimed design.

1 Claim, 10 Drawing Sheets



(56)

References Cited

U.S. PATENT DOCUMENTS

D491,775 S *	6/2004	Tomchak	D8/5	D810,524 S	2/2018	Hsu	
D496,838 S	10/2004	Tomchak			D815,501 S	4/2018	Huang	
6,829,828 B1	12/2004	Cech et al.			D818,783 S	5/2018	Wermeille	
D501,379 S	2/2005	Lipscomb et al.			D823,079 S	7/2018	Lyytikainen	
D503,595 S	4/2005	Lipscomb et al.			D827,399 S	9/2018	Lyytikainen	
D506,906 S	7/2005	Su			D829,516 S	10/2018	Wu-Shih-Piao	
D509,115 S	9/2005	Wu			10,182,530 B1 *	1/2019	Huang	A01G 3/021
D547,140 S	7/2007	Shan			D859,100 S	9/2019	Wu-Shih-Piao	
D557,086 S	12/2007	Lipscomb et al.			D873,631 S *	1/2020	Hsu	D8/5
D567,601 S	4/2008	Klecker			D875,483 S	2/2020	Roberts et al.	
D576,011 S	9/2008	Lipscomb et al.			2007/0256308 A1 *	11/2007	Lin	B26B 29/04 30/231
D585,250 S	1/2009	Lee			2008/0016701 A1 *	1/2008	Pollock	A01G 3/02 30/249
D585,251 S	1/2009	Lee			2008/0155835 A1 *	7/2008	Lin	A01G 3/02 30/252
D628,031 S	11/2010	Stokes et al.			2009/0090010 A1	4/2009	Lin	
D628,032 S	11/2010	Stokes et al.			2009/0151170 A1 *	6/2009	Lee	A01G 3/02 30/252
7,895,757 B1	3/2011	Huang			2010/0037470 A1	2/2010	Liu	
D638,673 S *	5/2011	Huang	D8/5	2010/0269356 A1 *	10/2010	Chen	B26B 13/16 30/232
D651,053 S	12/2011	Roberts et al.			2011/0023309 A1	2/2011	Huang	
D651,487 S	1/2012	Roberts et al.			2011/0192035 A1	8/2011	Chen	
D680,829 S	4/2013	Nelson			2012/0198705 A1	8/2012	Huang	
D698,214 S	1/2014	Sade et al.			2013/0091713 A1	4/2013	Wu	
D706,096 S	6/2014	Stokes et al.			2014/0182142 A1	7/2014	Vantitla	
D706,097 S	6/2014	Lyytikainen et al.			2014/0202007 A1	7/2014	Huang	
D706,590 S	6/2014	Sade et al.			2015/0208589 A1 *	7/2015	Chou	B26B 13/285 30/251
D716,114 S	10/2014	Lyytikainen et al.			2016/0183475 A1	6/2016	Wu	
D720,968 S	1/2015	Roberts			2017/0049060 A1	2/2017	Chou	
D750,455 S	3/2016	Wu			2017/0197321 A1 *	7/2017	Lee	B26B 13/28
9,408,350 B1	8/2016	Wu			2017/0215346 A1	8/2017	Lin	
D765,479 S *	9/2016	Lambin	D8/5	2019/0261573 A1	8/2019	Wu	
D778,694 S	2/2017	Lambin						
D781,673 S *	3/2017	Sokka	D8/5				
D790,935 S	7/2017	Wu						
D793,824 S	8/2017	Sokka						
D802,381 S	11/2017	Wolf						

* cited by examiner

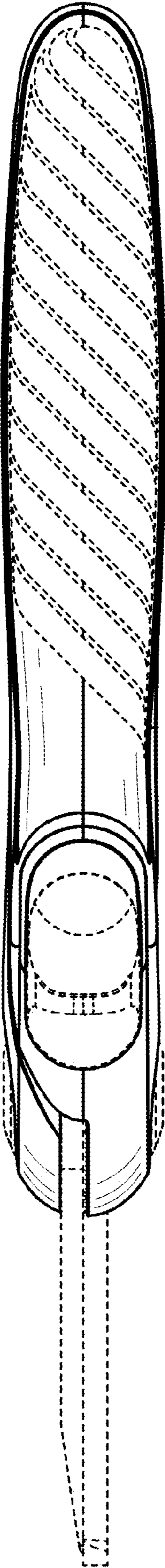


FIG. 1

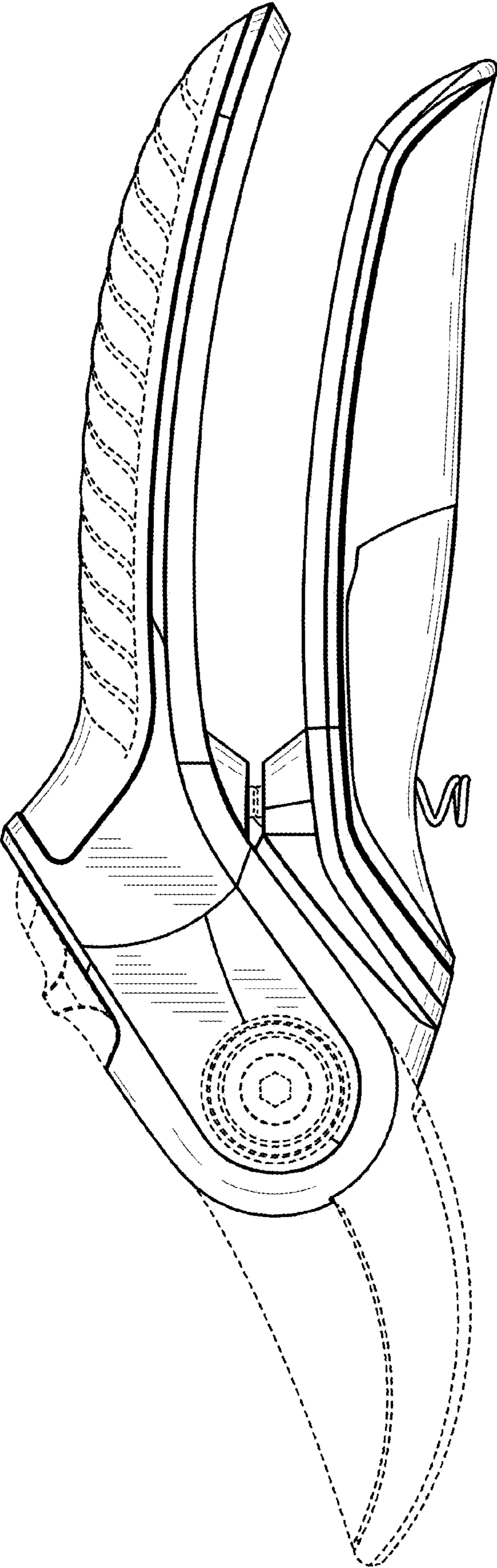


FIG. 2

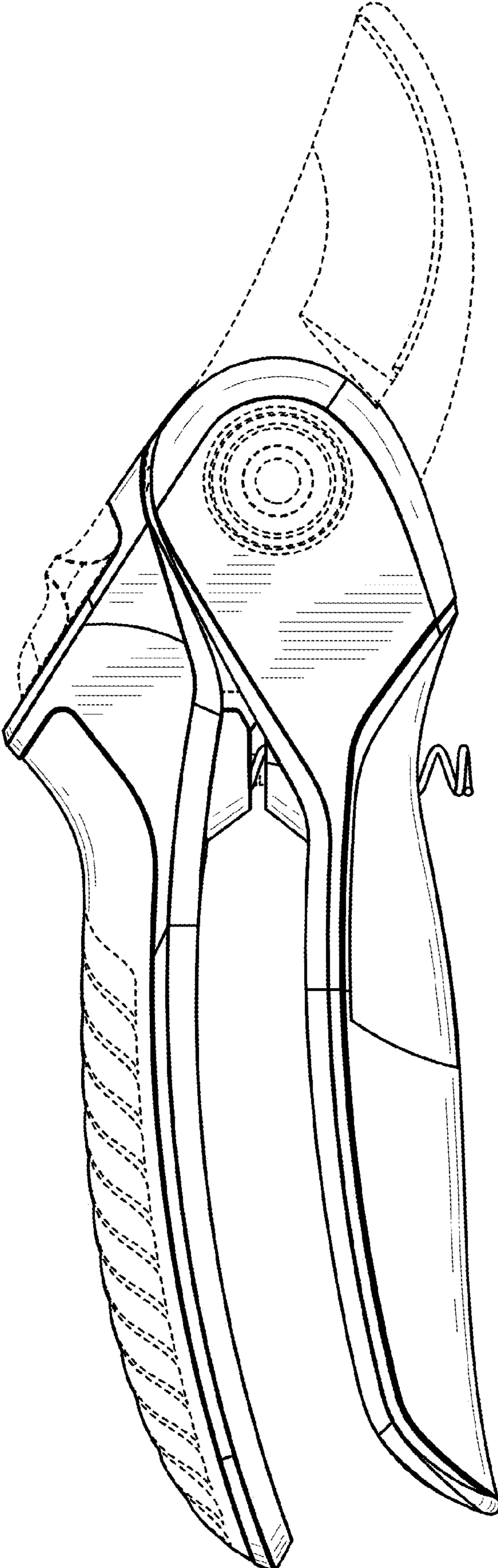


FIG. 3

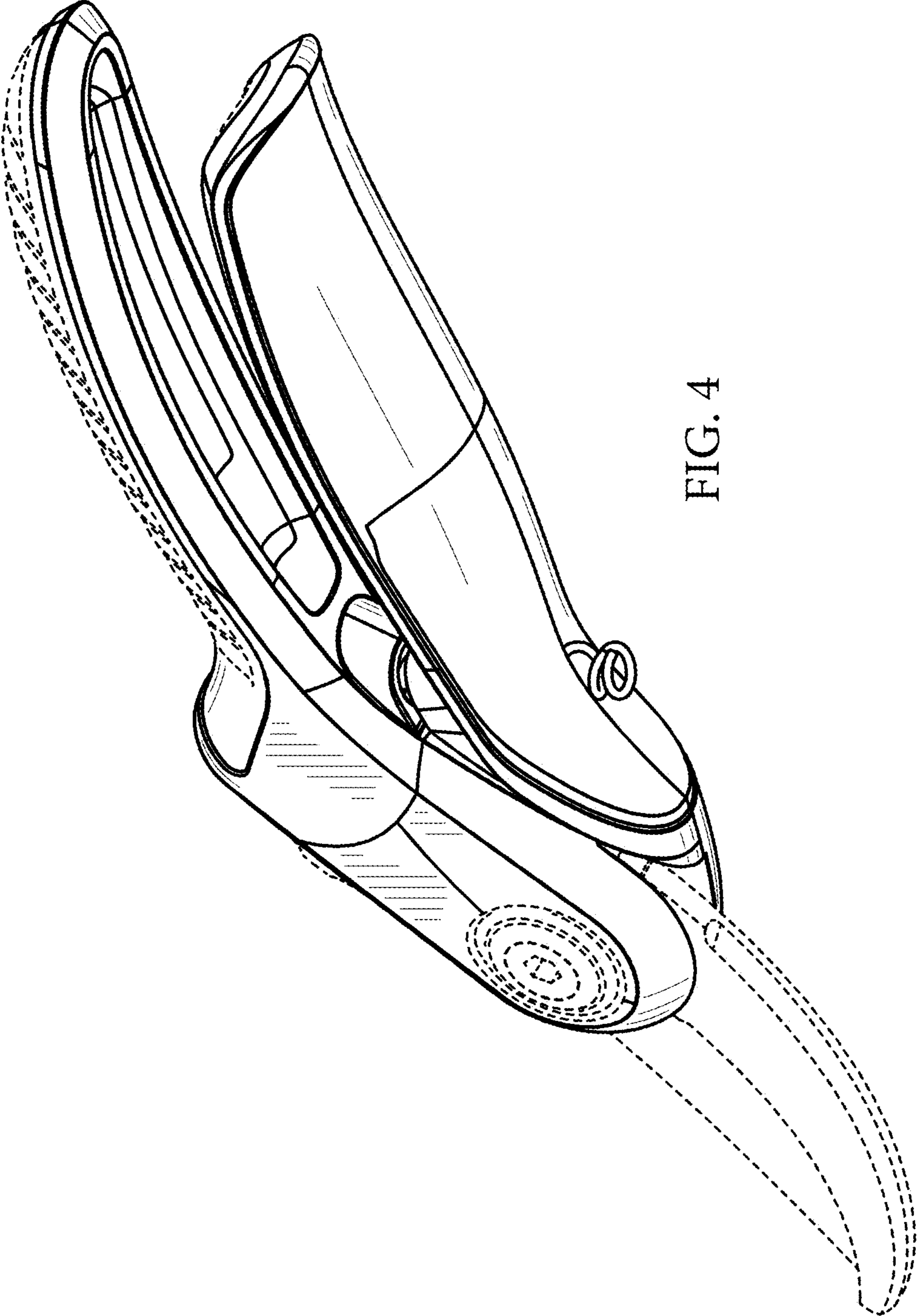


FIG. 4

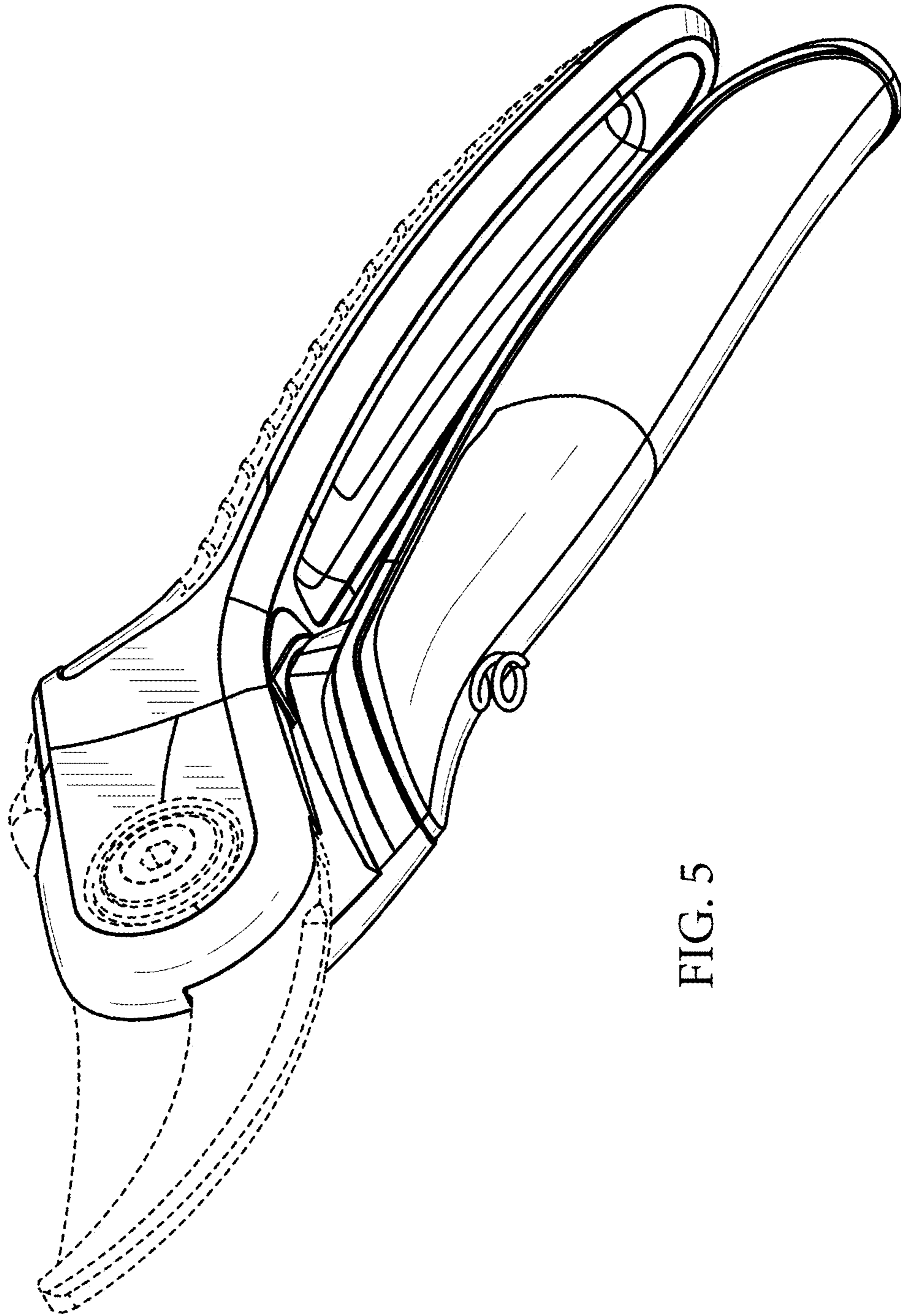


FIG. 5

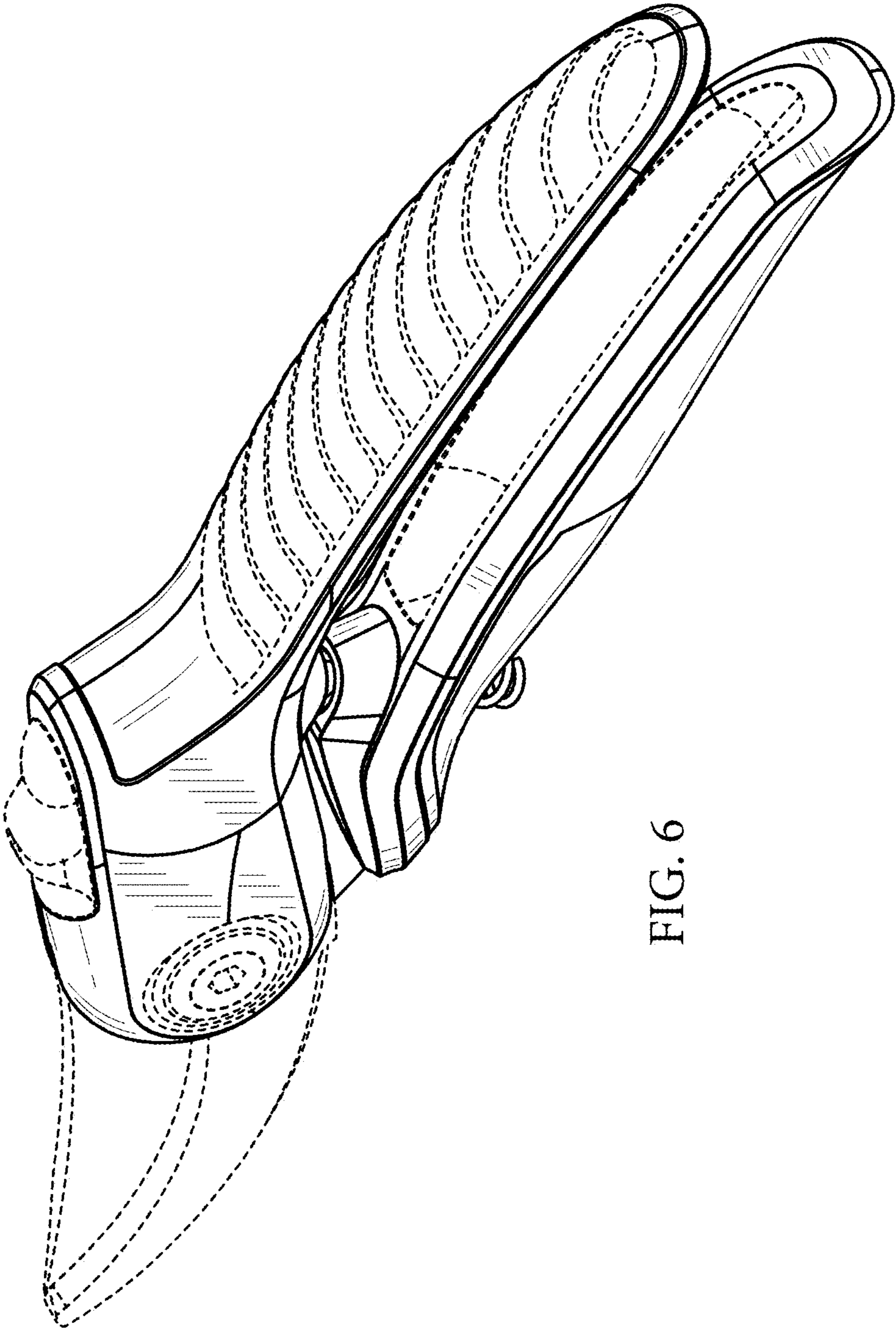


FIG. 6

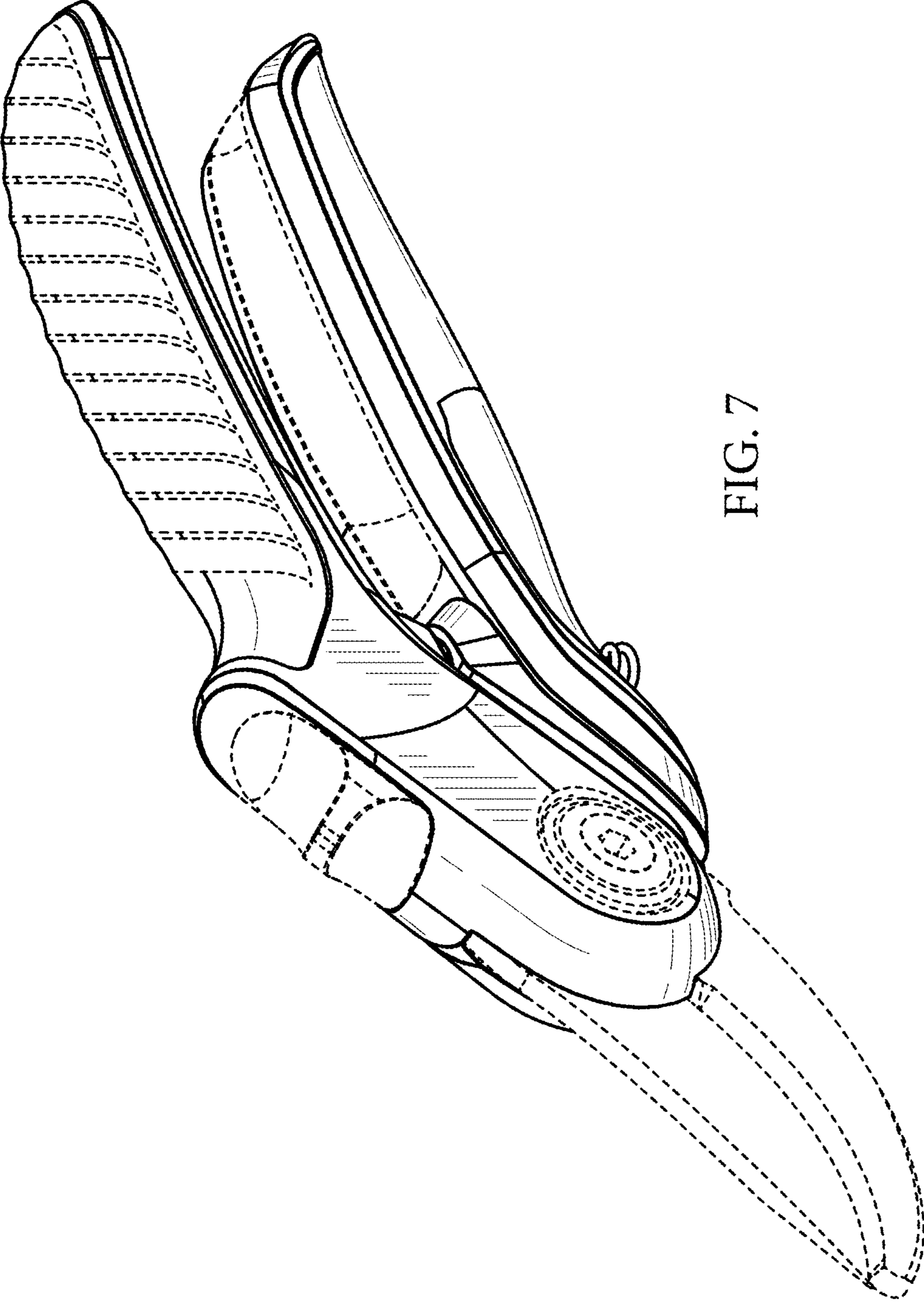


FIG. 7

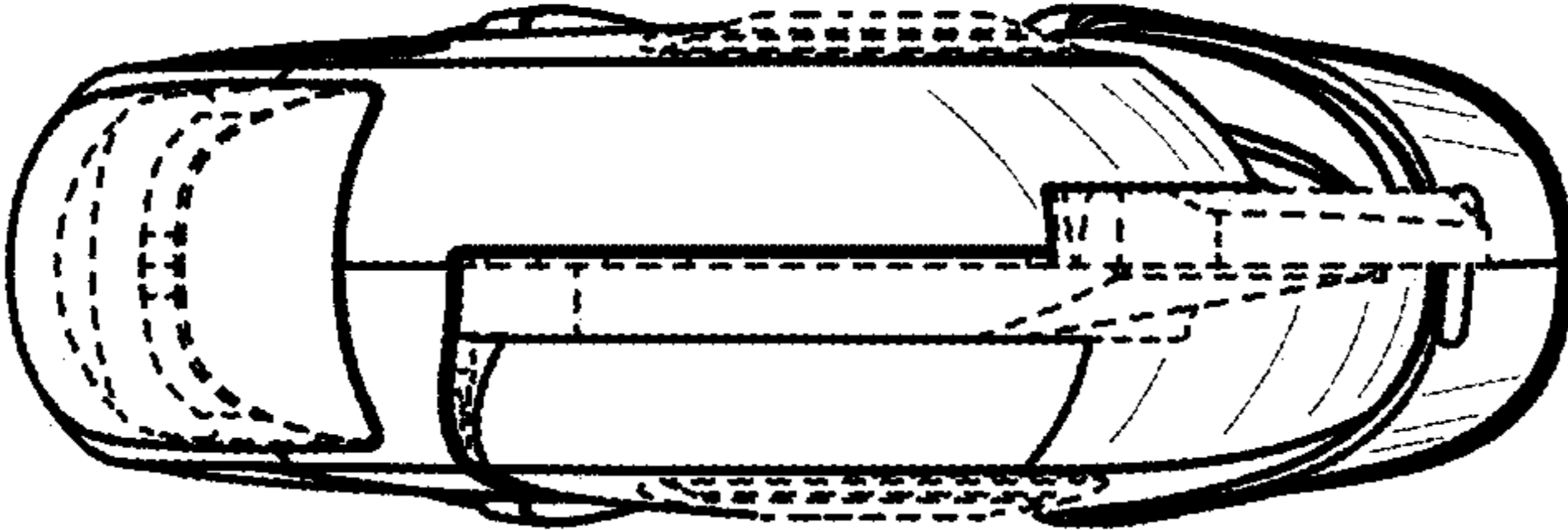


FIG. 8

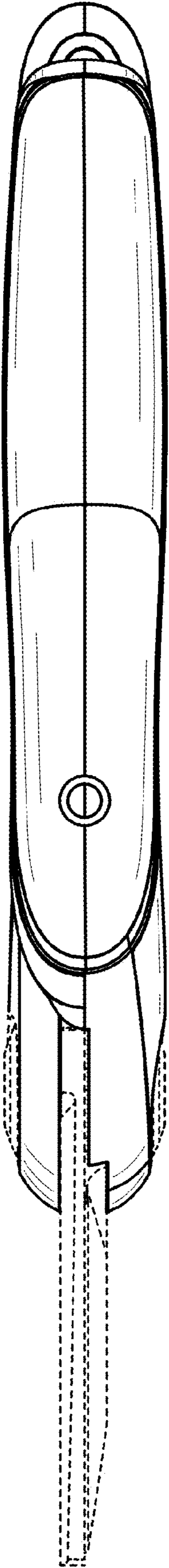


FIG. 9

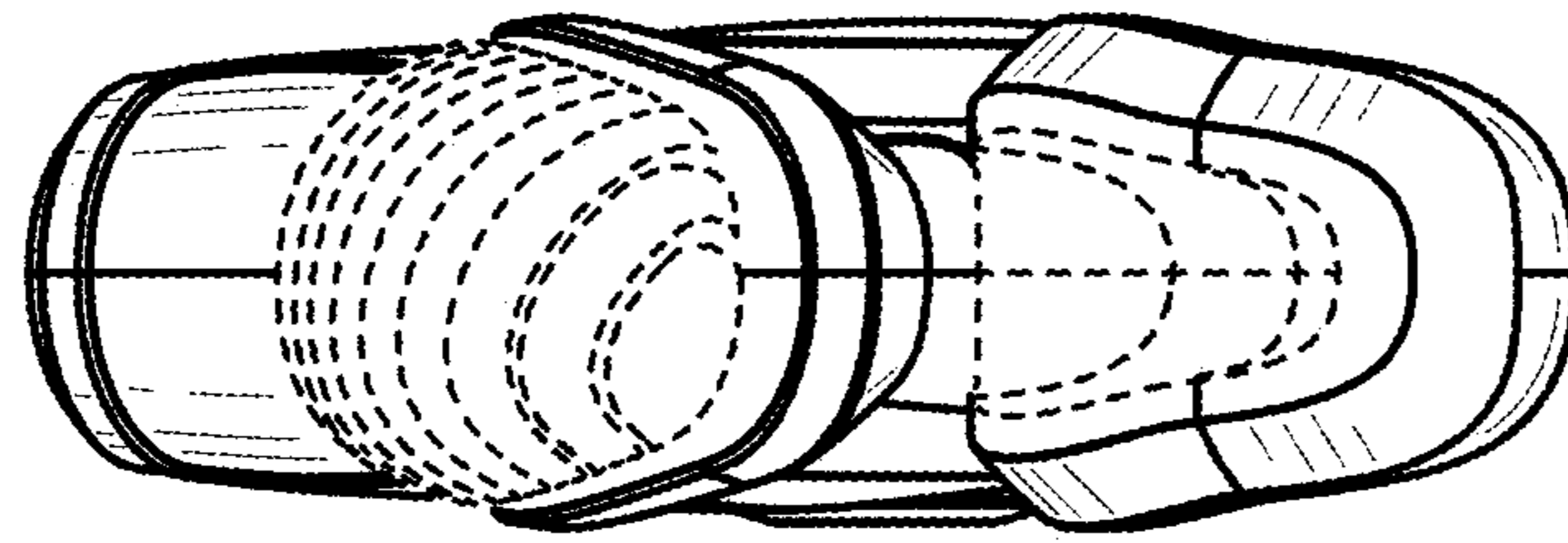


FIG. 10