



US00D921454S

(12) **United States Design Patent** (10) **Patent No.:** **US D921,454 S**  
**Kakkar** (45) **Date of Patent:** **\*\* Jun. 8, 2021**

(54) **WINE RACK**

(71) Applicant: **Arijit Kakkar**, O Fallon, MO (US)

(72) Inventor: **Arijit Kakkar**, O Fallon, MO (US)

(\*\*) Term: **15 Years**

(21) Appl. No.: **29/717,742**

(22) Filed: **Dec. 19, 2019**

(51) **LOC (13) Cl.** ..... **07-06**

(52) **U.S. Cl.**

USPC ..... **D7/701**

(58) **Field of Classification Search**

USPC ..... D7/601, 602, 701, 703, 705, 706, 707,  
D7/708, 708.1; D3/201, 273, 295;  
D6/672, 675, 675.1, 675.2, 675.3, 675.5,  
D6/678, 678.1, 678.2, 682, 682.1, 682.3,  
D6/682.4, 683, 683.1, 702, 705; D9/414,  
D9/423, 424, 455, 751, 757, 761

CPC ..... A47B 73/00; A47B 73/006; A47B 88/00;  
A47B 88/40; A47B 2210/06; A47B  
2210/07; A47B 2210/08; A45C 11/20;  
A47G 19/2255; A47G 19/2261; A47G  
19/32; A47G 21/001; A47G 23/02; A47G  
23/0208; A47G 23/0216; A47G 23/0225;  
A47G 23/0258; A47G 23/0266; A47G  
23/0316; A47G 23/06; A47G 23/0641;  
A47G 2023/0283; A47G 29/093; A47J  
47/14; A47J 47/16

See application file for complete search history.

(56) **References Cited**

U.S. PATENT DOCUMENTS

D900,276 S \* 10/2020 McWade ..... D23/206

OTHER PUBLICATIONS

Design No. D1543935, Jan. 15, 2016—JP, Japan Patent Office (JPO) Publication Date—Feb. 15, 2016 Owner—National Industries Co, Designer—Yoshikawa Toshiyuki WIPO, available at <https://www3.wipo.int/designdb/en/index.jsp> (Year: 2016).  
8-Bottle Wine Rack, 2 Tier Small Wine Bottle Rack, Desert Cart, [online], [site visited Apr. 2, 2021], Available from internet URL: <https://aruba.desertcart.com/products/192231612-8-bottle-wine-rack-2-tier-small-wine-bottle-rack-wine-display-rack-free-standing-and-countertop-wine-storage-shelf-stackable-wood-white-wine-rack-water-bottle-storage-4-bottle-in-row> (Year: 2021).\*

\* cited by examiner

*Primary Examiner* — Mary Ann Calabrese

*Assistant Examiner* — Natalya M Rapundalo

(74) *Attorney, Agent, or Firm* — Dunlap Bennett & Ludwig, PLLC

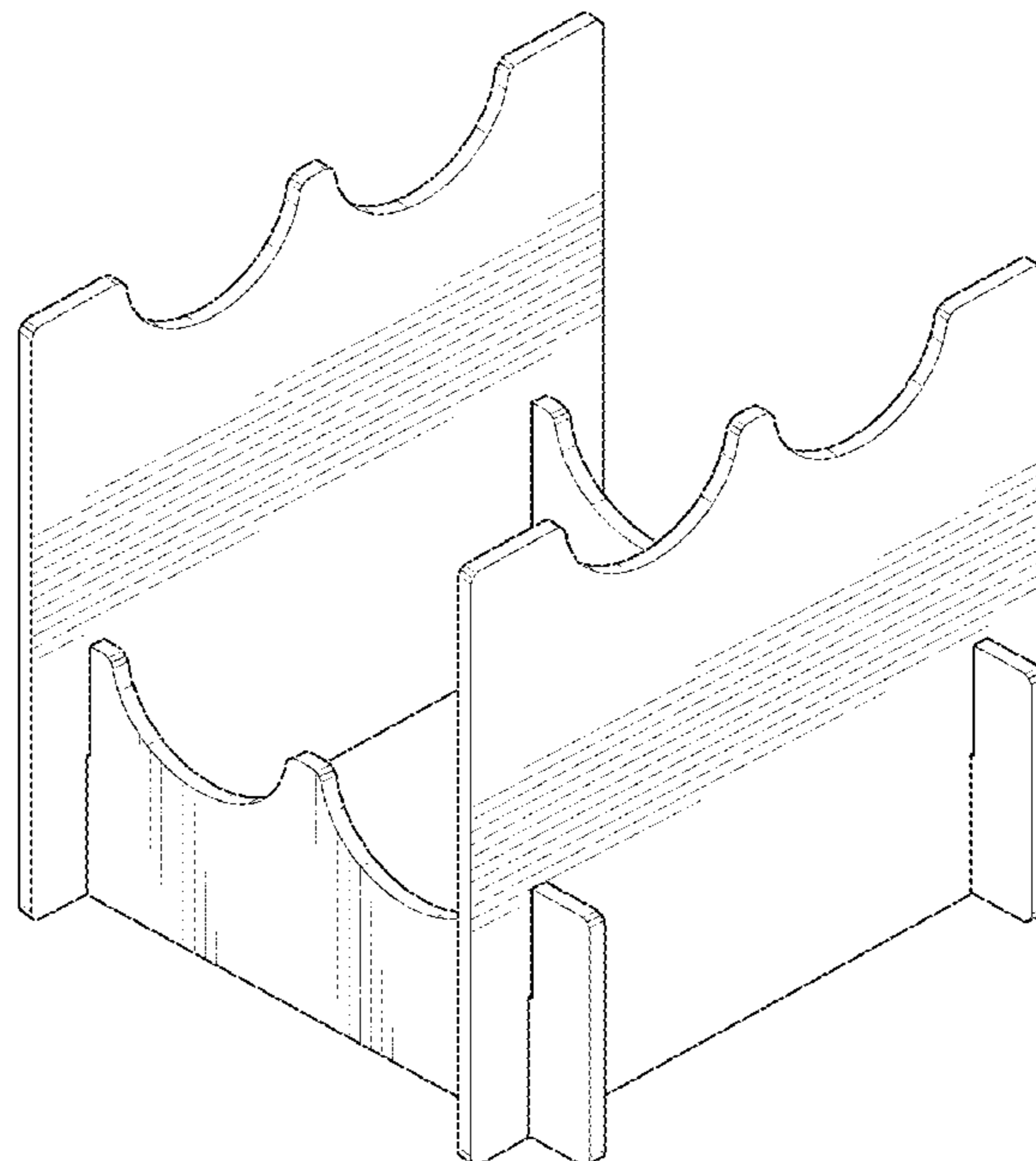
(57) **CLAIM**

The ornamental design for a wine rack, as shown and described.

**DESCRIPTION**

FIG. 1 is a perspective view of a wine rack, showing my new design;  
FIG. 2 is a front elevation view thereof;  
FIG. 3 is a rear elevation view thereof;  
FIG. 4 is a left-side elevation view thereof;  
FIG. 5 is a right-side elevation view thereof;  
FIG. 6 is a top plan view thereof;  
FIG. 7 is a bottom plan view thereof; and,  
FIG. 8 is a perspective view of the wine rack, shown in use. The broken lines showing a bottle of wine in FIG. 8 depicts environmental subject matter that forms no part of the claimed design.

**1 Claim, 5 Drawing Sheets**



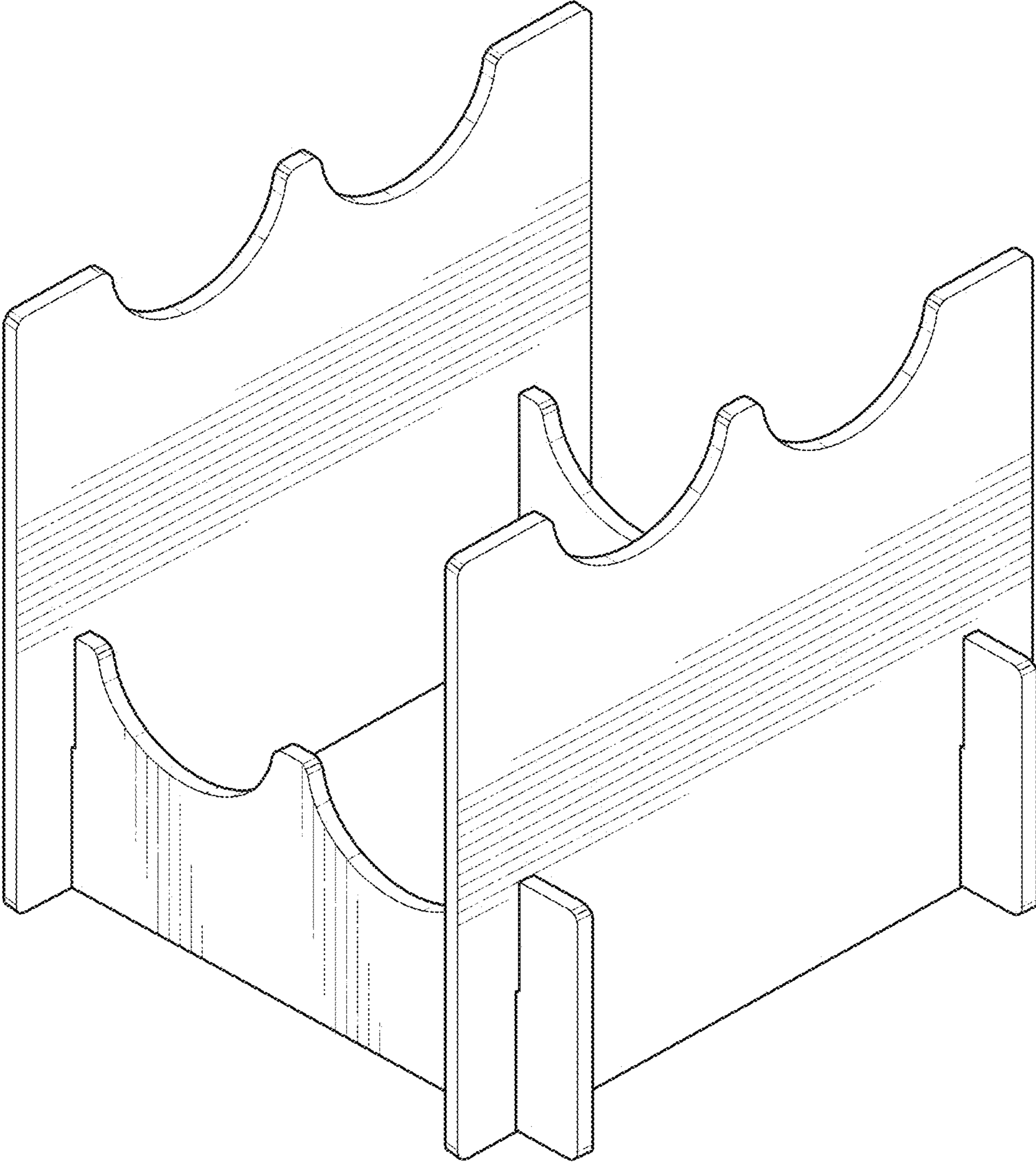


FIG. 1

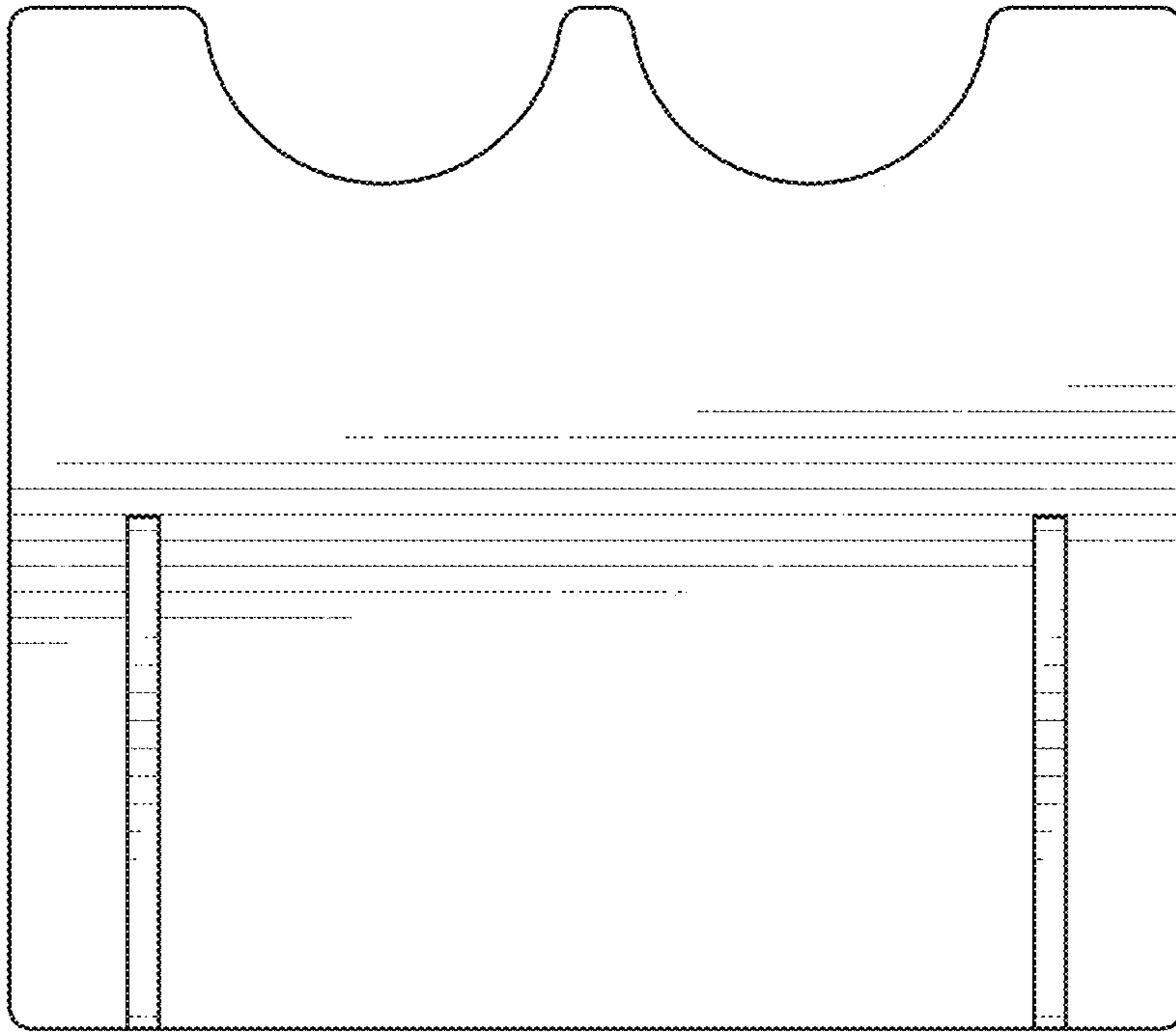


FIG. 2

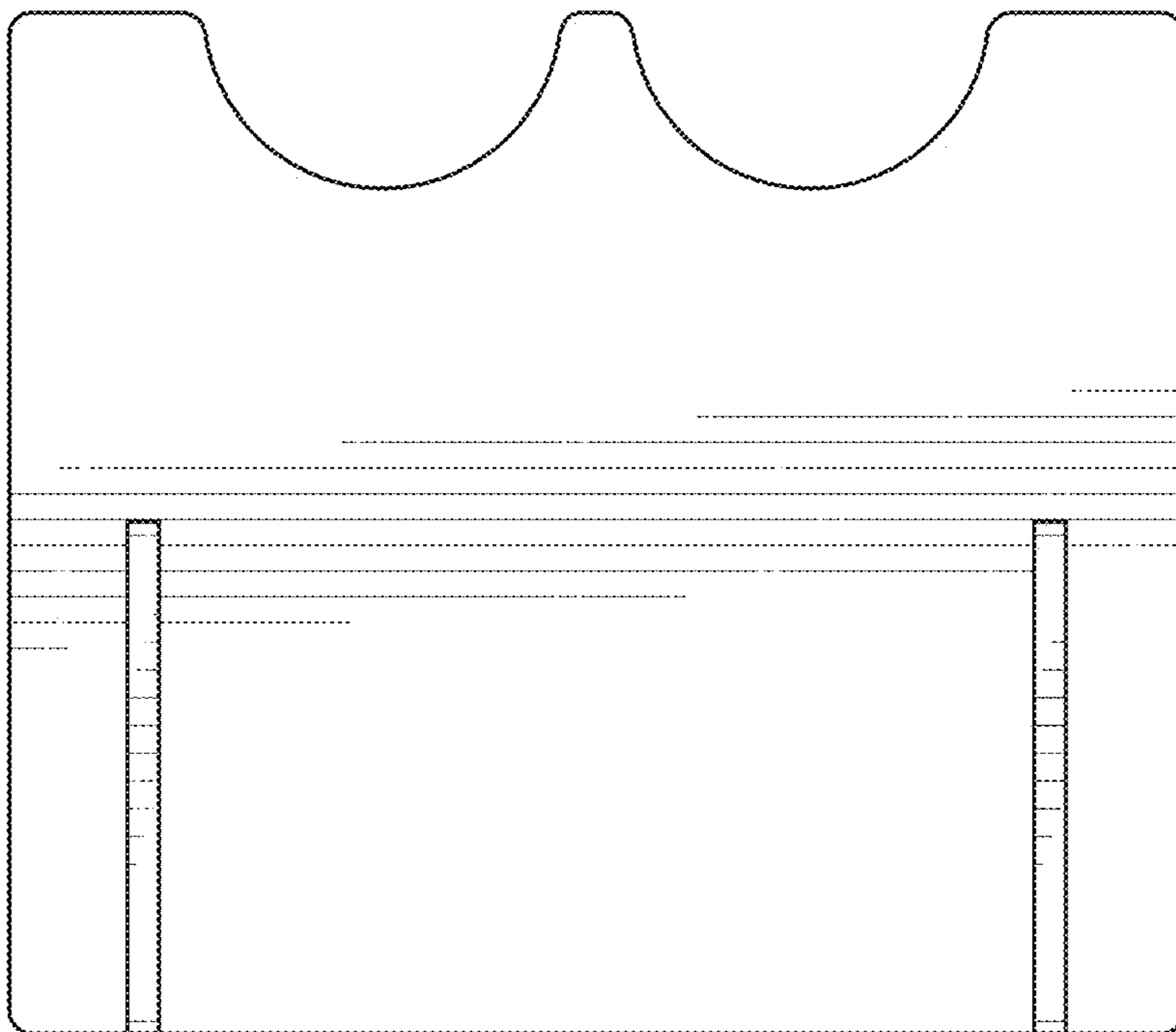


FIG. 3

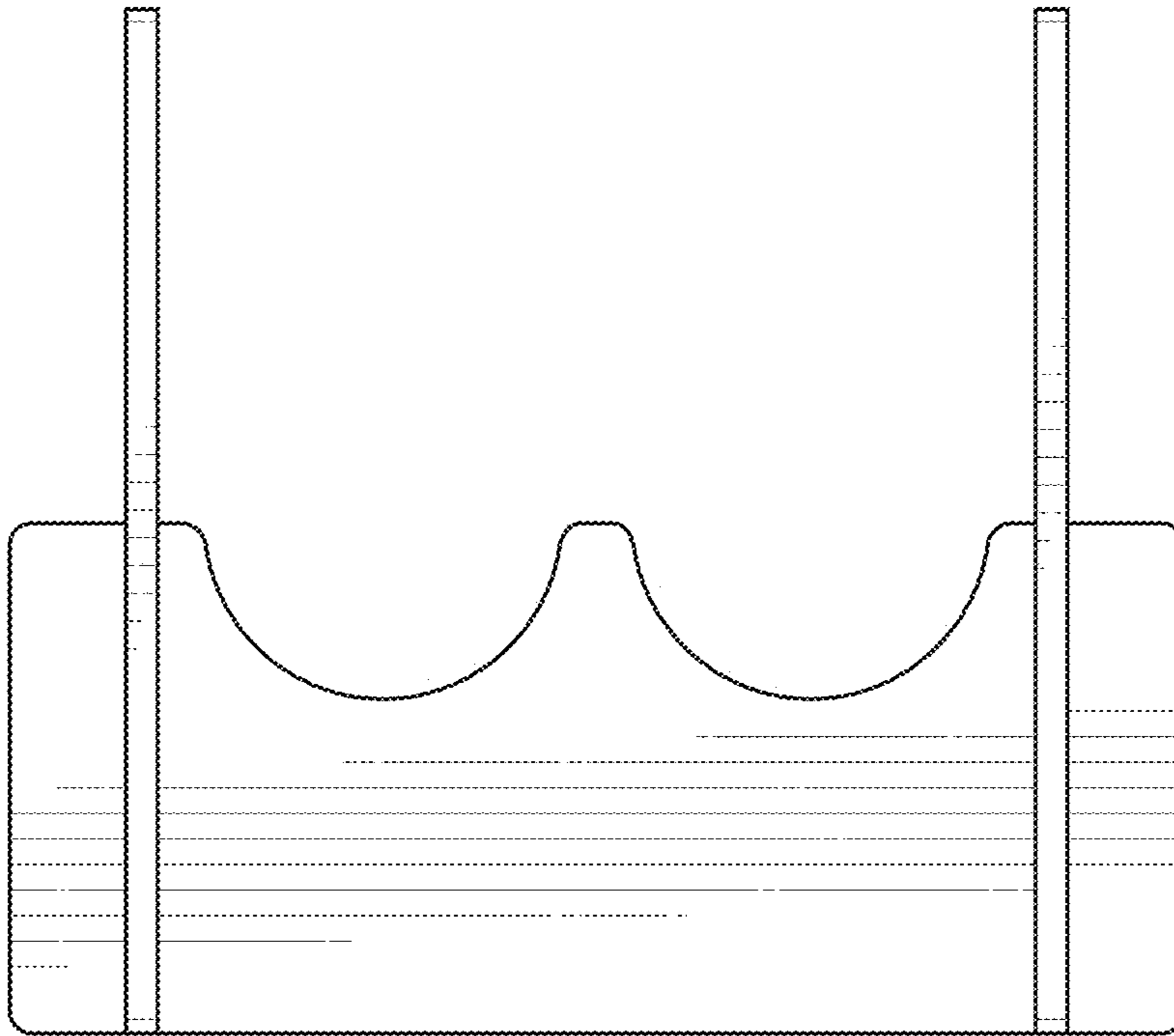


FIG. 4

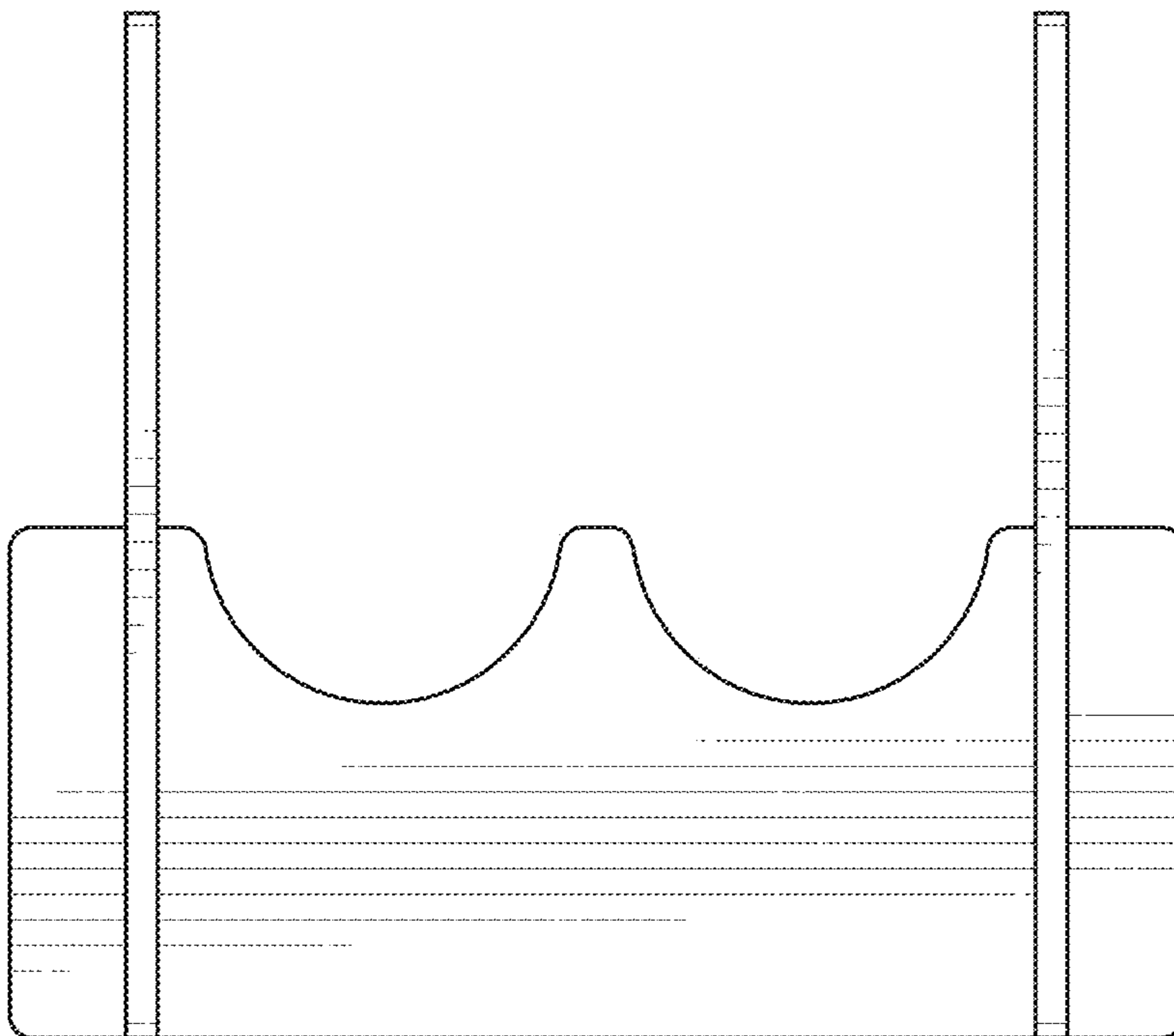


FIG. 5

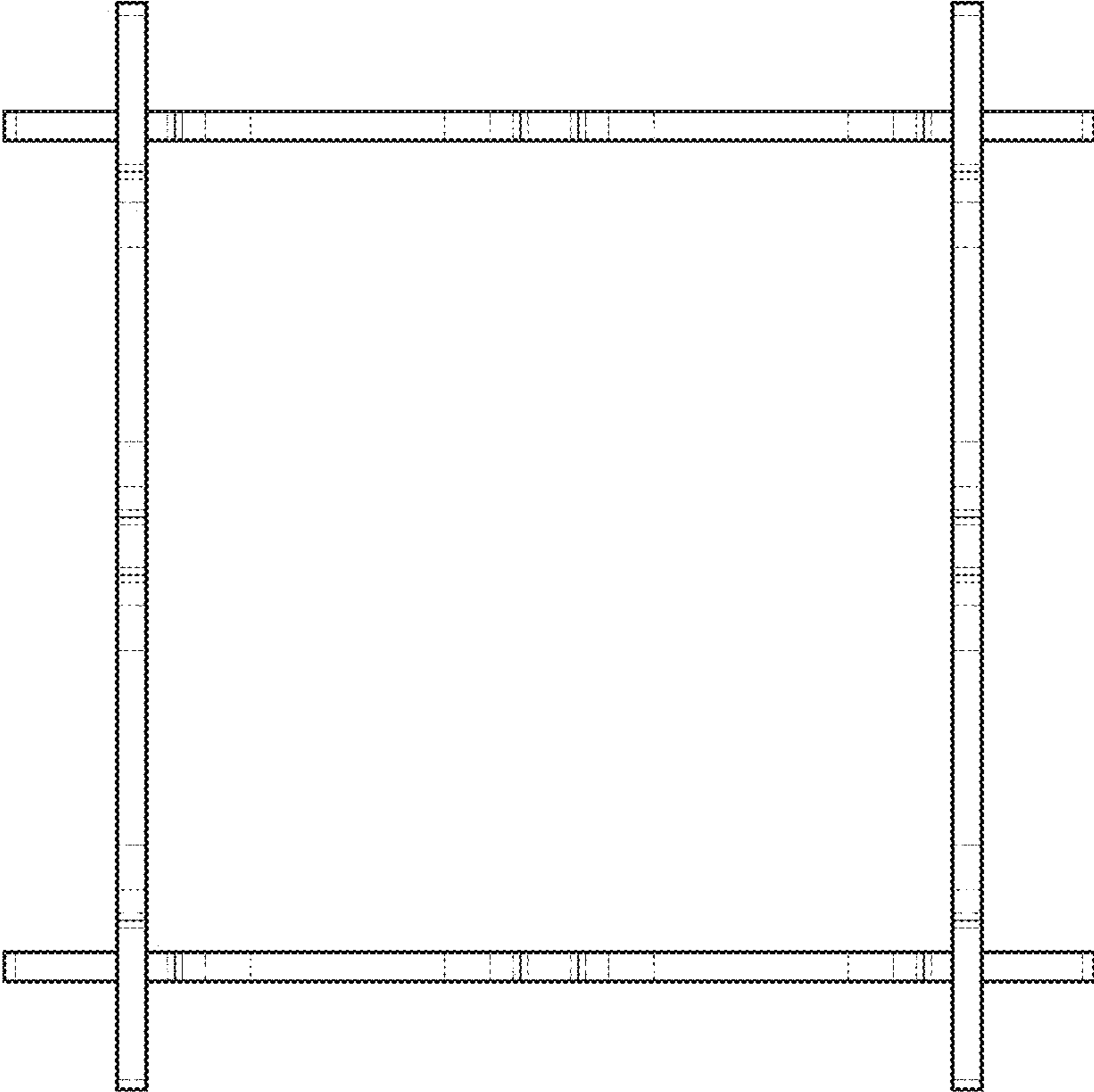


FIG. 6

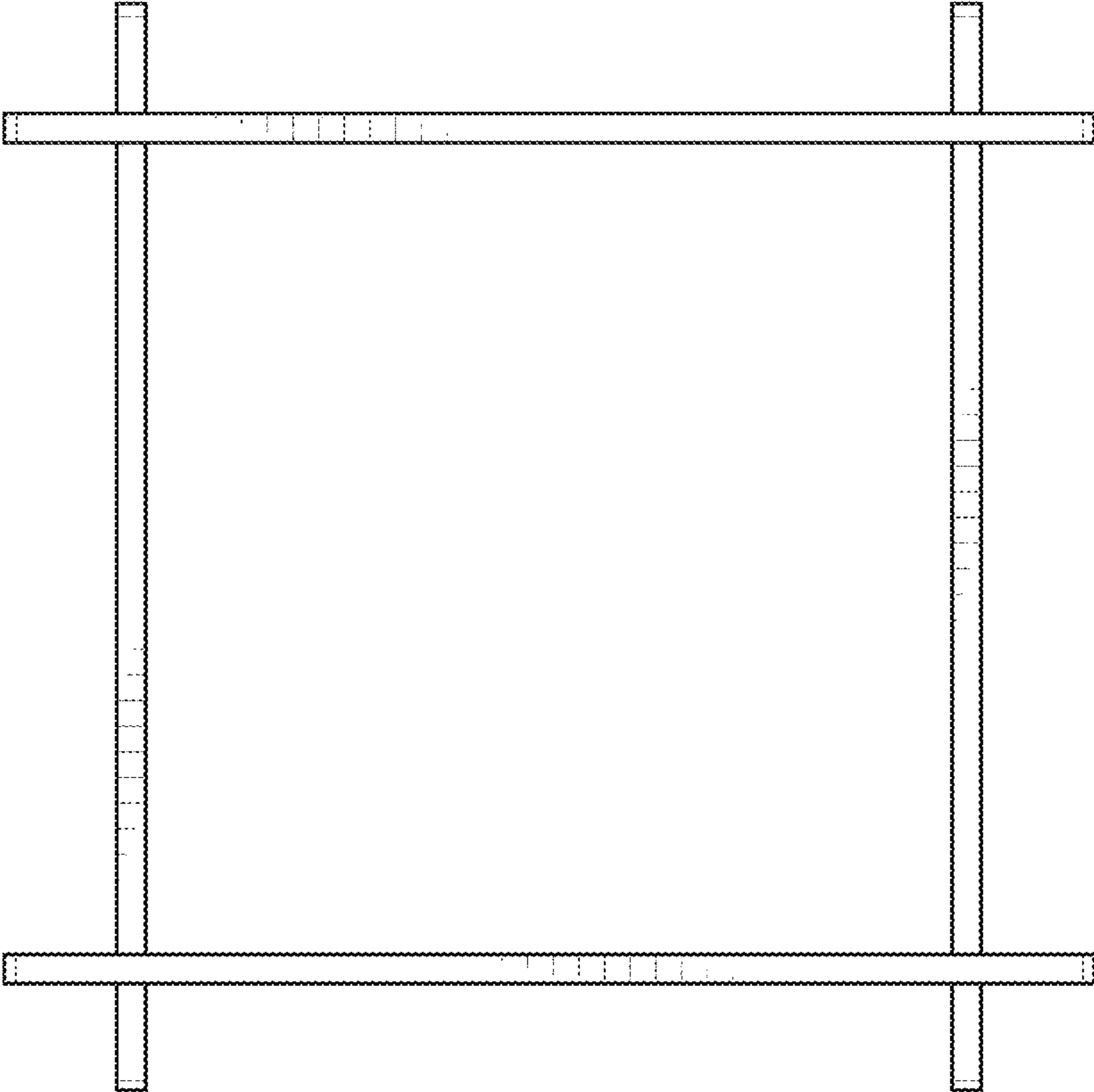


FIG. 7

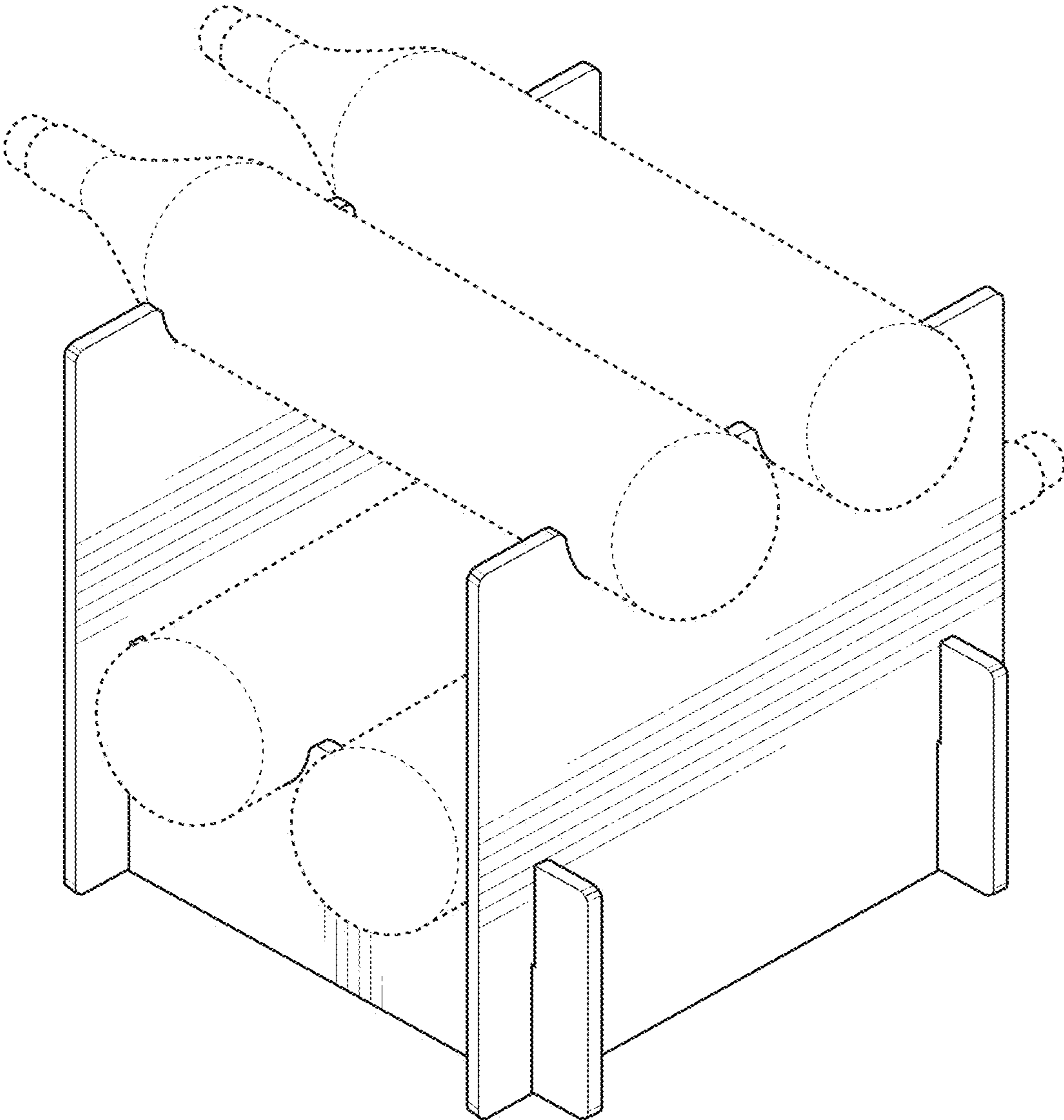


FIG. 8