



US00D921451S

(12) **United States Design Patent**
Kim et al.

(10) **Patent No.:** **US D921,451 S**
(45) **Date of Patent:** **** Jun. 8, 2021**

(54) **WHISK**

(71) Applicants: **Min Kim**, Jersey City, NJ (US);
Edward Lee, Brooklyn, NY (US);
Mason Adam Umholtz, Sunnyvale, CA
(US); **Austin Ledzian**, Blacksburg, VA
(US); **Marc-Aurelien Vivant**,
Brooklyn, NY (US)

(72) Inventors: **Min Kim**, Jersey City, NJ (US);
Edward Lee, Brooklyn, NY (US);
Mason Adam Umholtz, Sunnyvale, CA
(US); **Austin Ledzian**, Blacksburg, VA
(US); **Marc-Aurelien Vivant**,
Brooklyn, NY (US)

(73) Assignee: **Helen of Troy Limited**, St. Michael
(BB)

(**) Term: **15 Years**

(21) Appl. No.: **29/702,274**

(22) Filed: **Aug. 18, 2019**

(51) **LOC (13) Cl.** **07-02**

(52) **U.S. Cl.**
USPC **D7/690**

(58) **Field of Classification Search**
USPC D7/368, 380, 393, 395, 669, 680-696
CPC A47J 43/1093; A47J 19/04; A47J 43/0711;
A47J 43/287
See application file for complete search history.

(56) **References Cited**

U.S. PATENT DOCUMENTS

1,155,215 A * 9/1915 Cooley A47J 43/1093
416/70 R
D313,533 S * 1/1991 Rixen D7/380
5,947,595 A * 9/1999 Eurisch A47J 43/281
366/129
D425,380 S * 5/2000 Gartz D7/690

D630,910 S * 1/2011 Reay D7/688
D683,199 S * 5/2013 Joseph D7/690
D843,795 S * 3/2019 Perry D7/690
D882,356 S * 4/2020 Gort-Barten D7/690
D884,413 S * 5/2020 Zhu D7/380
D890,567 S * 7/2020 Kern D7/395
2002/0003749 A1 * 1/2002 Browne A47J 43/1093
366/129

OTHER PUBLICATIONS

OXO 11278500 Good Grips Sauce and Gravy Whisk, Stainless Steel. Online, published date Nov. 12, 2019. Retrieved on Oct. 6, 2020 from URL: <https://www.amazon.co.uk/OXO-11278500-Grips-Sauce-Stainless/dp/B0817KZWLV>.
Savannah Premium Stainless Steel Sauce Whisk 30cm. Online, published date unknown. Retrieved on Oct. 6, 2020 from URL: <https://www.everten.com.au/savannah-premium-stainless-steel-sauce-whisk-30cm.html>.

* cited by examiner

Primary Examiner — Susan Bennett Hattan

Assistant Examiner — Omeed Agilee

(74) *Attorney, Agent, or Firm* — Rankin, Hill & Clark
LLP

(57) **CLAIM**

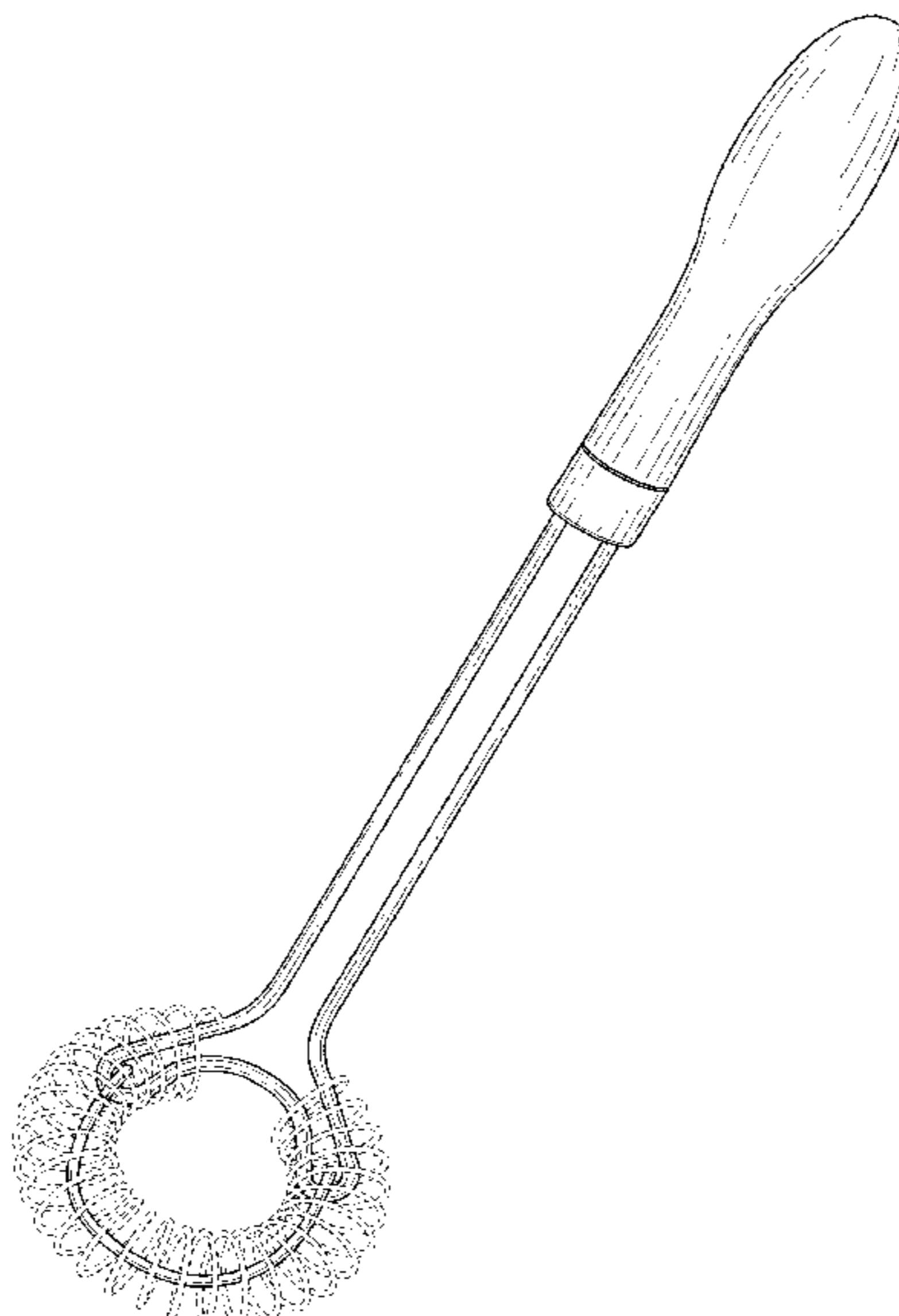
The ornamental design for a whisk, as shown, and described.

DESCRIPTION

FIG. 1 is a perspective view of a whisk, showing the new, original and ornamental design;
FIG. 2 is a front elevation view thereof;
FIG. 3 is a rear elevation view thereof;
FIG. 4 is a right side elevation view thereof;
FIG. 5 is a bottom plan view thereof; and,
FIG. 6 is a top plan view thereof.

The broken lines in the drawings depict portions of the whisk that form no part of the claimed design.

1 Claim, 6 Drawing Sheets



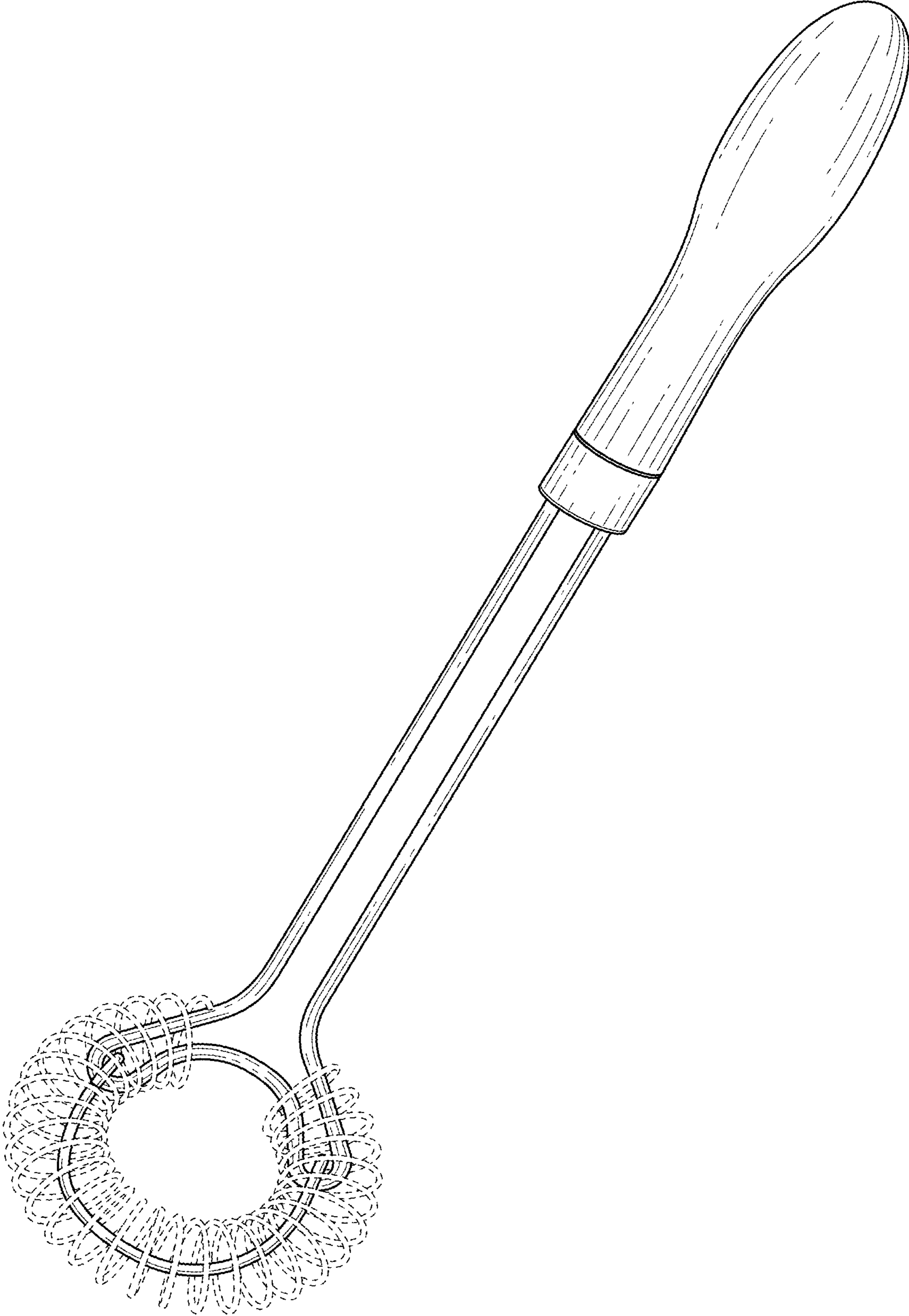


FIG. 1

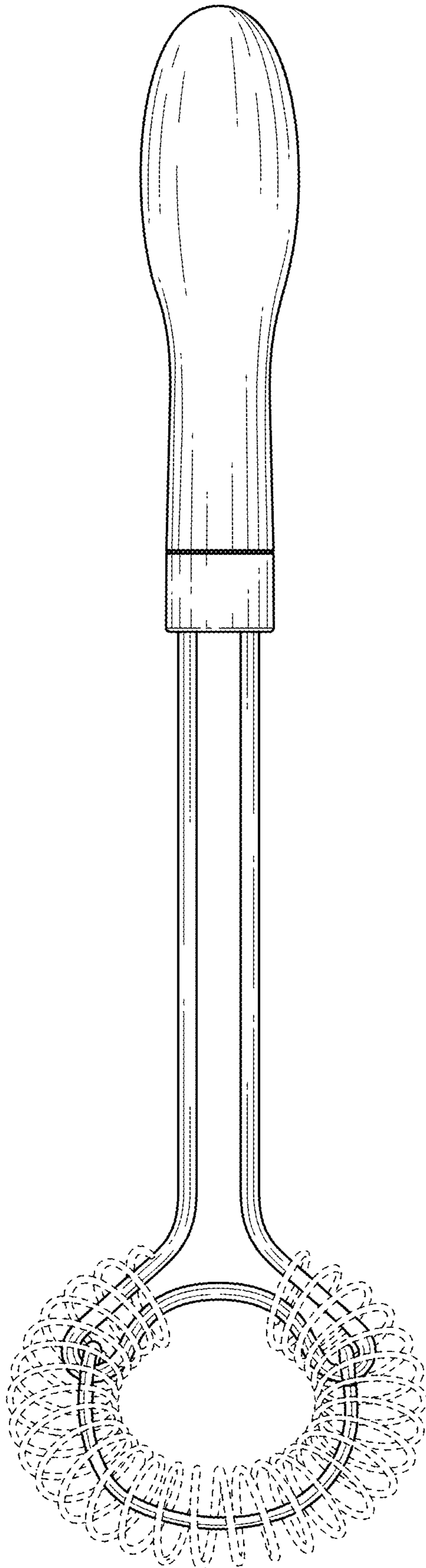


FIG. 2

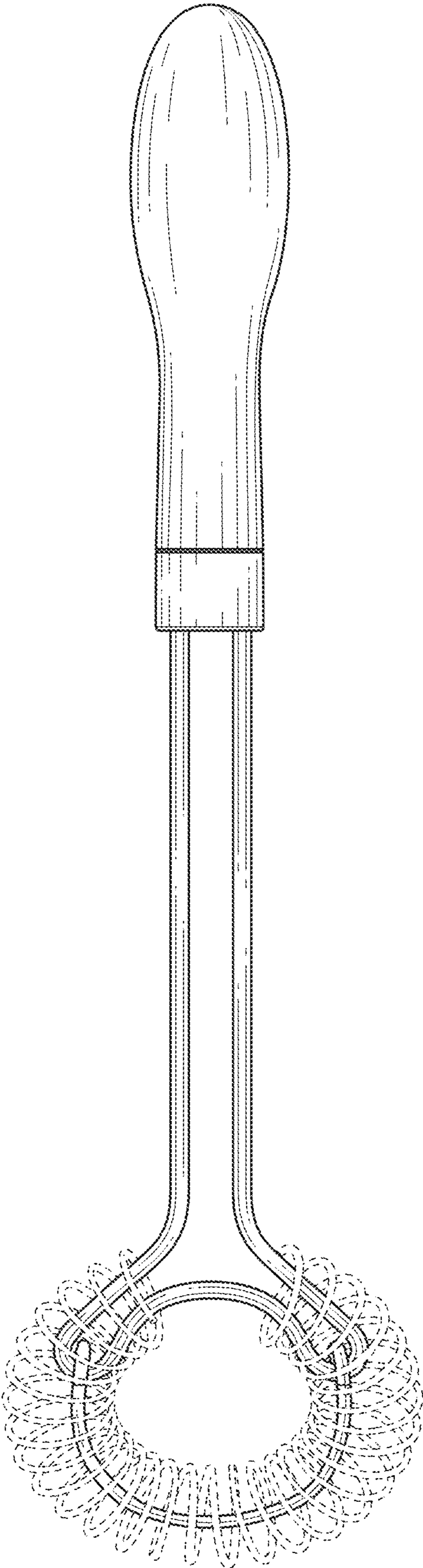


FIG. 3

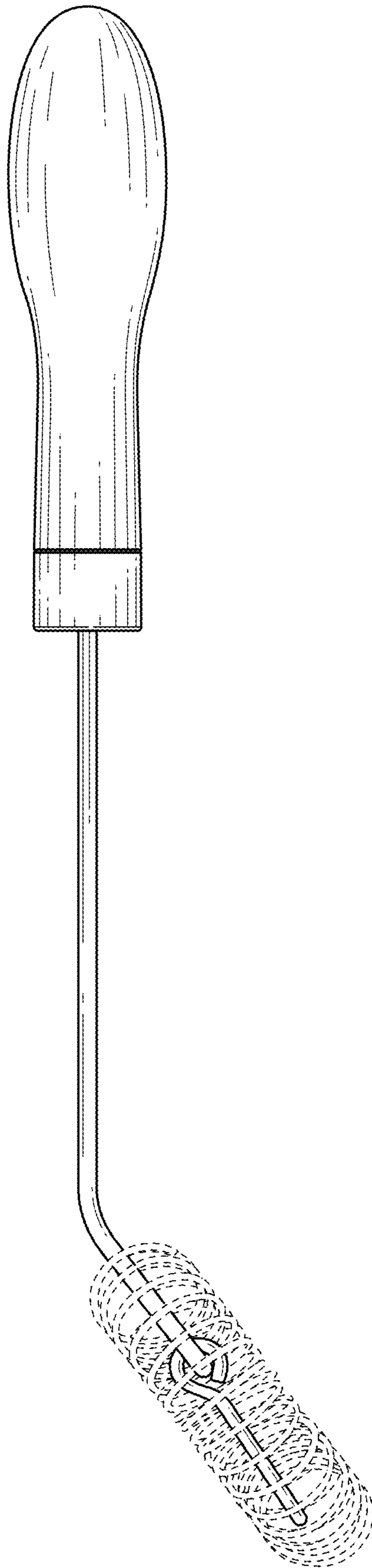


FIG. 4

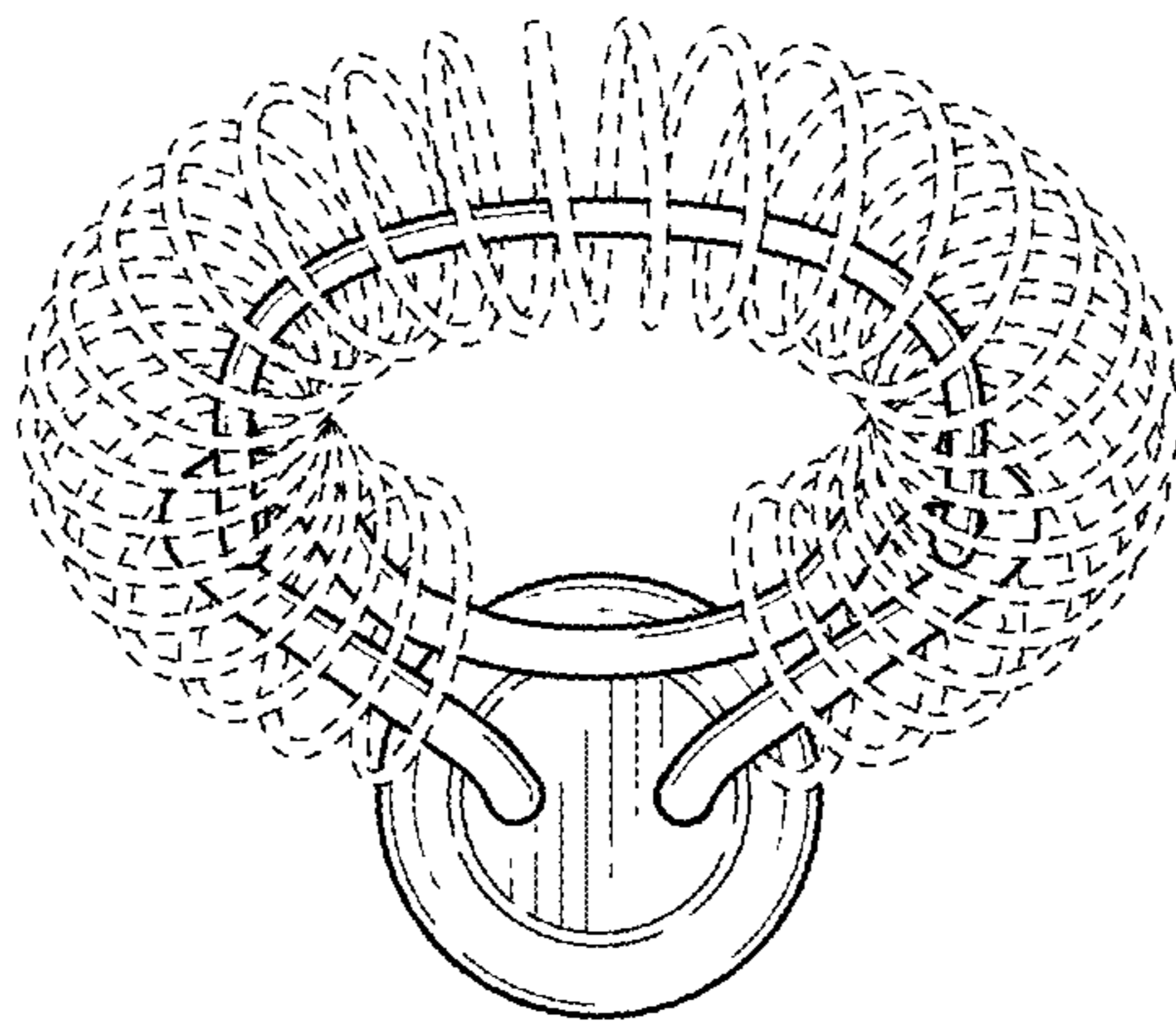


FIG. 5

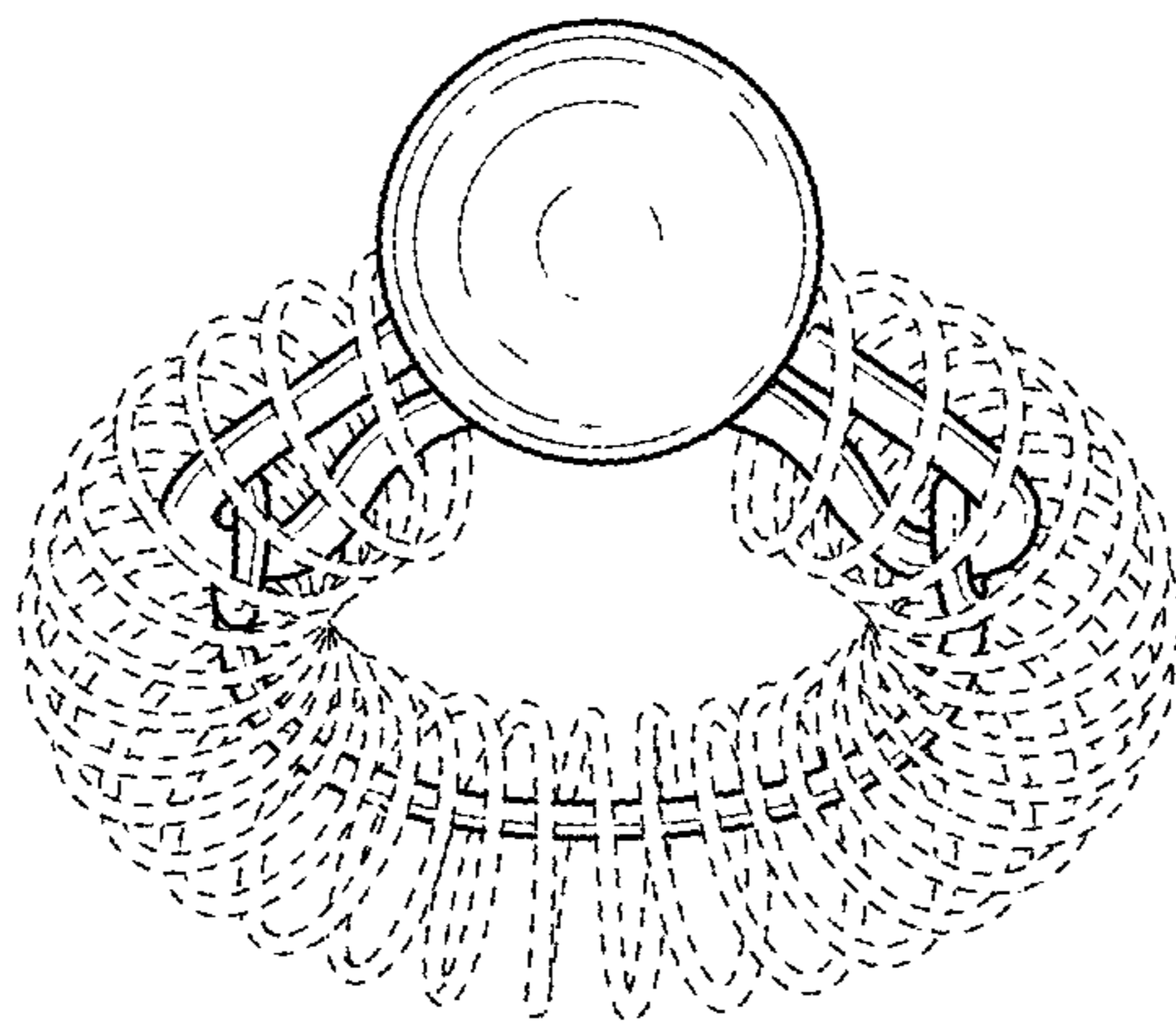


FIG. 6