



US00D921446S

(12) **United States Design Patent**
Kerkvliet

(10) **Patent No.:** **US D921,446 S**

(45) **Date of Patent:** **** Jun. 8, 2021**

(54) **CAKE SERVER SET**

(71) Applicant: **Farmgate Mate Pty Ltd**, Blackmans Bay (AU)

(72) Inventor: **Johannes Kerkvliet**, Blackmans Bay (AU)

(73) Assignee: **Farmgate Mate Pty Ltd**, Blackmans Bay (AU)

(**) Term: **15 Years**

(21) Appl. No.: **29/724,802**

(22) Filed: **Feb. 19, 2020**

(51) **LOC (13) Cl.** **07-03**

(52) **U.S. Cl.**
USPC **D7/642**; D7/645

(58) **Field of Classification Search**
USPC D7/368, 401.2, 642-645, 649, 653-664, D7/669, 675-677, 683, 688-689, 691, D7/695, 696; D8/107, 300-301; D22/117-118

CPC ... A01D 9/02; A01D 9/04; A01D 9/06; A47G 21/00; A47G 21/004; A47G 21/005; A47G 21/02; A47G 21/023; A47G 21/04; A47G 21/06; A47G 21/08; A47J 43/28; A47J 43/281; A47J 43/282; A61F 13/10; A61J 7/0023; B25G 1/00; B25G 1/01; B25G 1/02; B25G 3/00; B65D 75/56; B65D 75/563; B65D 75/566; B67B 7/00; B67B 7/724; B67B 7/73

See application file for complete search history.

(56) **References Cited**

U.S. PATENT DOCUMENTS

D192,018 S *	1/1962	McLeod	D7/688
D303,902 S *	10/1989	Gecchelin	D7/688
D463,223 S *	9/2002	Bien	D7/688
D499,943 S *	12/2004	Malvoisin	D7/696
D511,659 S *	11/2005	Chen	D7/688
D516,880 S *	3/2006	Fort	D7/695
D632,530 S *	2/2011	Lion	D7/649

OTHER PUBLICATIONS

OTW Pavilion 2 Piece Wedding Cake Server Set. Date First Available on Amazon.com Nov. 14, 2018 <https://www.amazon.com/dp/B07KJHC3G9/ref> (Year: 2018).*

* cited by examiner

Primary Examiner — Ricky Pham

(74) *Attorney, Agent, or Firm* — Eric Karich; Karich & Associates

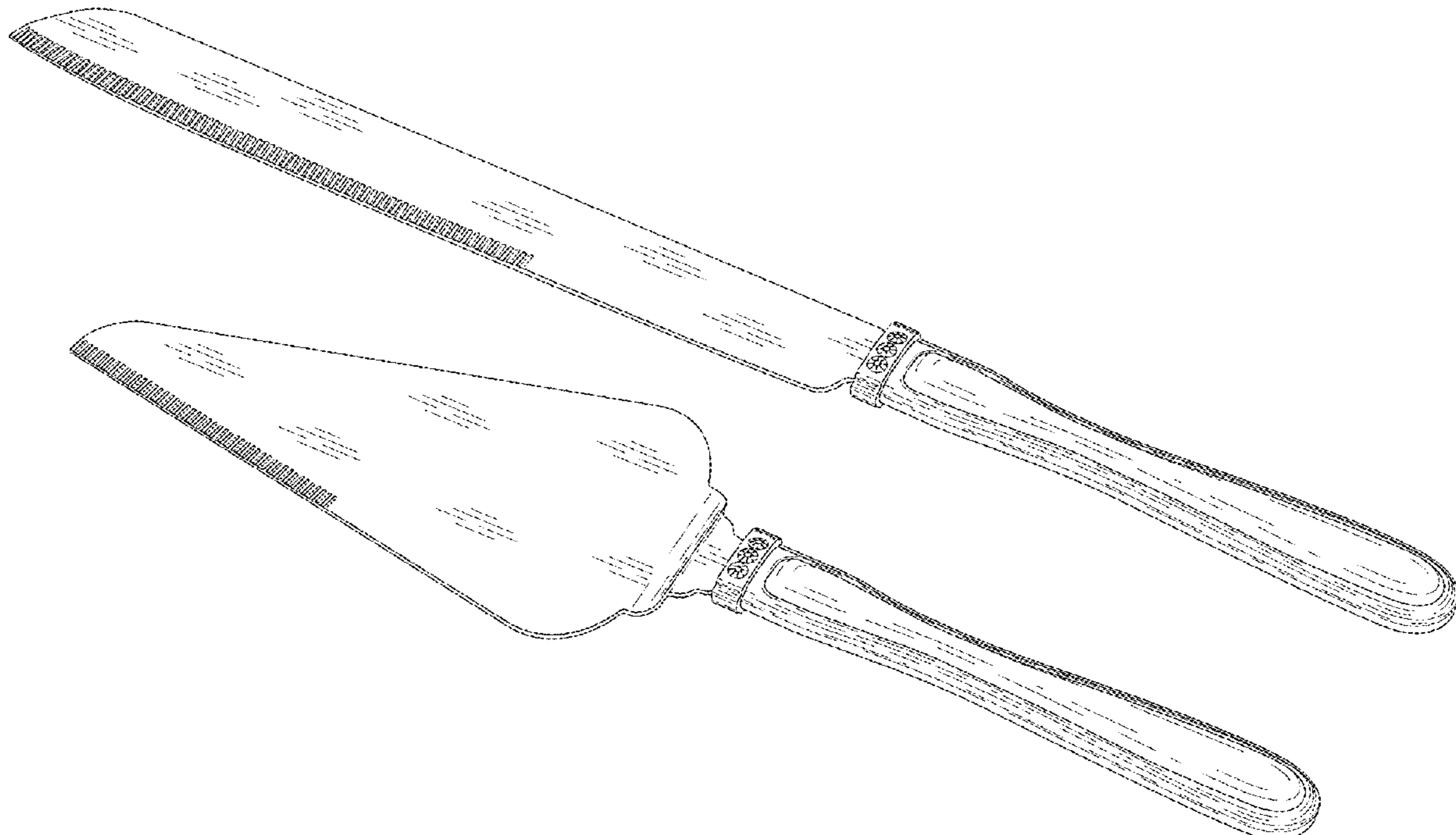
(57) **CLAIM**

The ornamental design for a cake server set, as shown and described.

DESCRIPTION

FIG. 1 is a perspective view of a cake server set, showing my new design;
FIG. 2 is a front elevational view thereof;
FIG. 3 is a rear elevational view thereof;
FIG. 4 is a left side elevational view thereof;
FIG. 5 is a right side elevational view thereof;
FIG. 6 is a top plan view thereof; and,
FIG. 7 is a bottom plan view thereof.

1 Claim, 4 Drawing Sheets



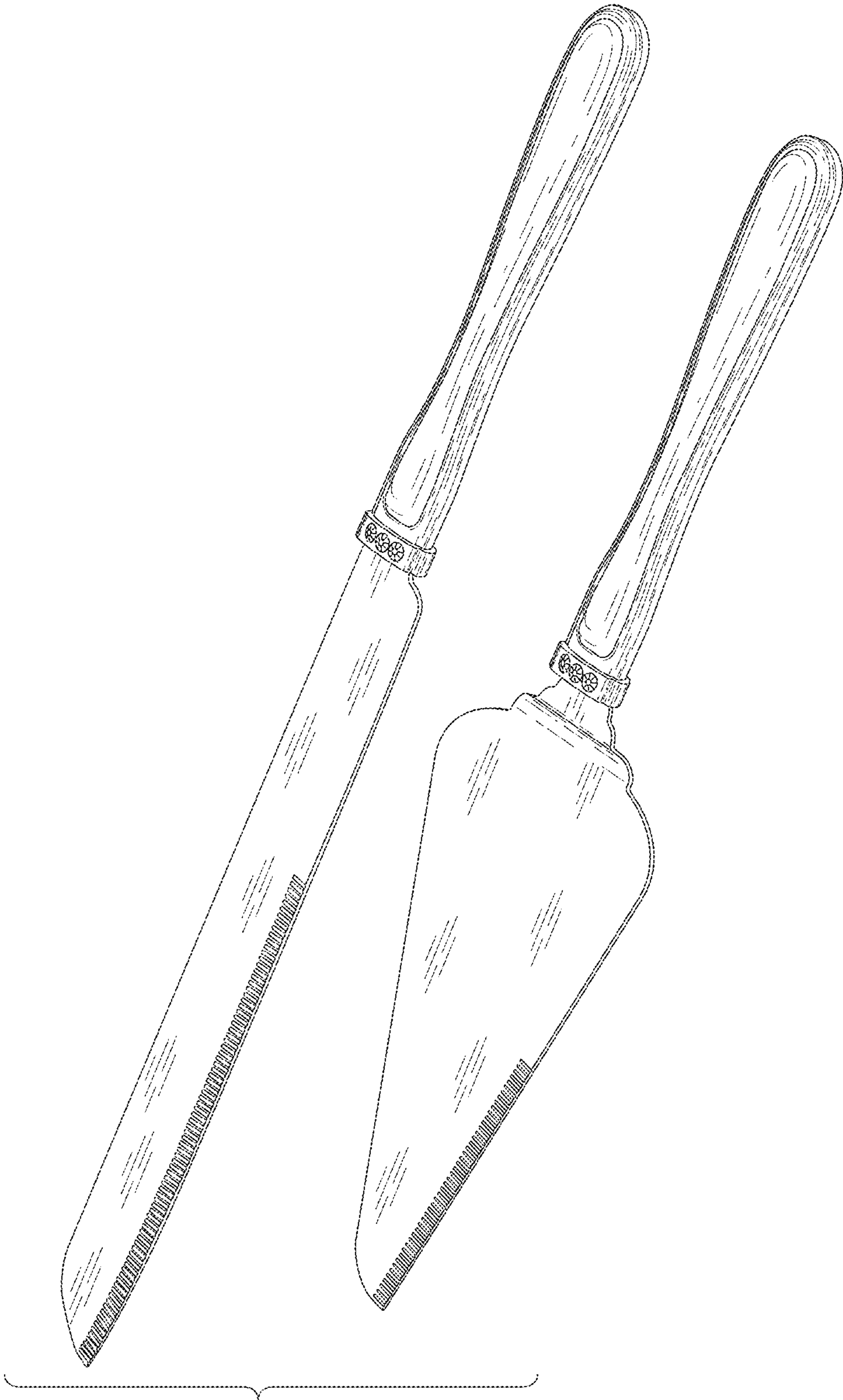


Fig. 1

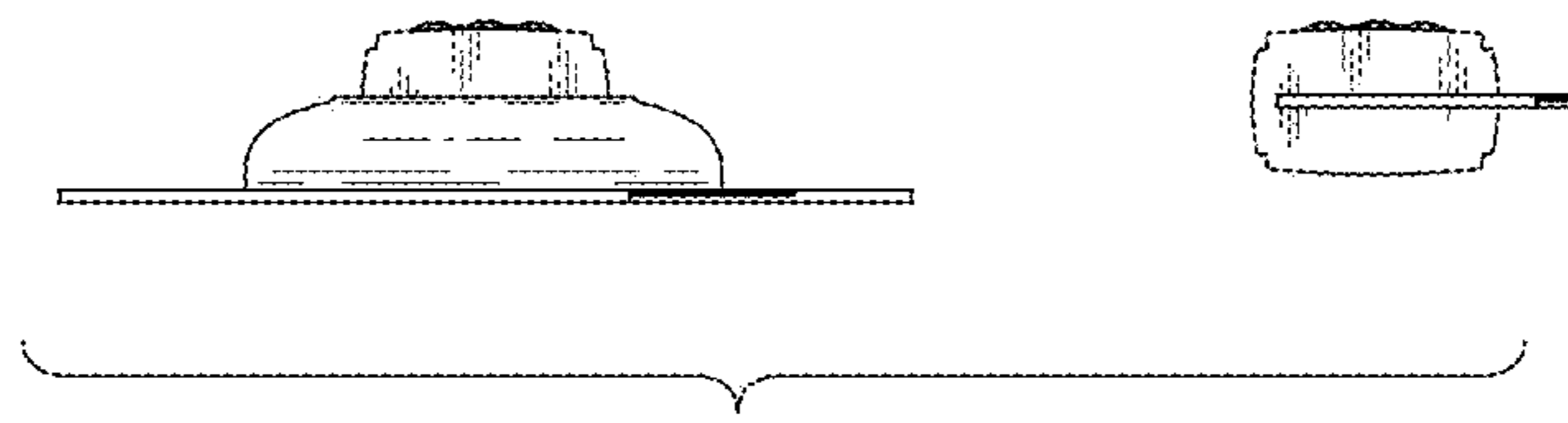


Fig. 2

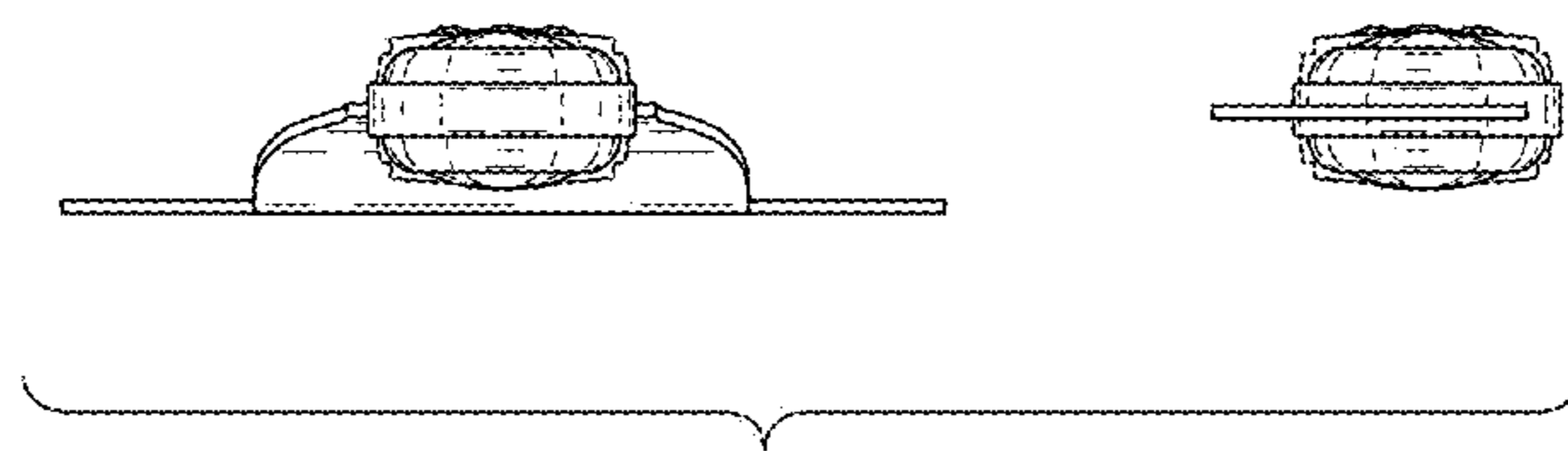


Fig. 3

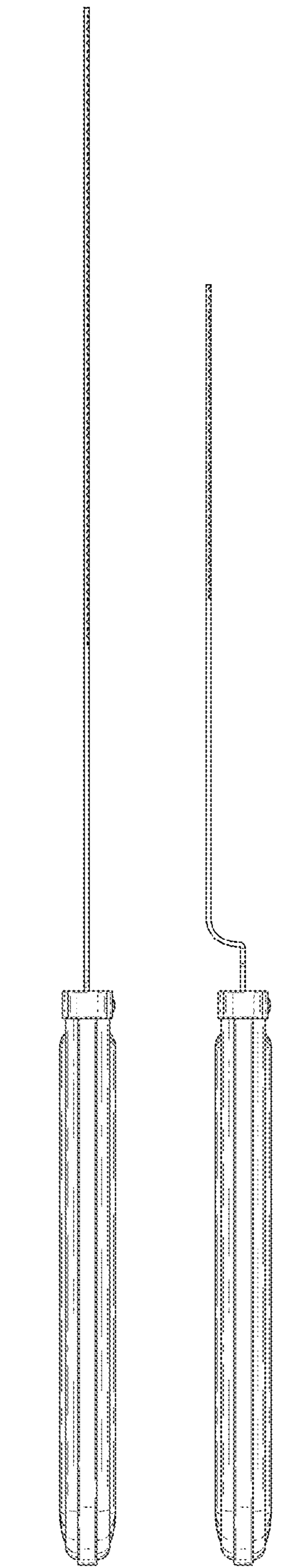


Fig. 4

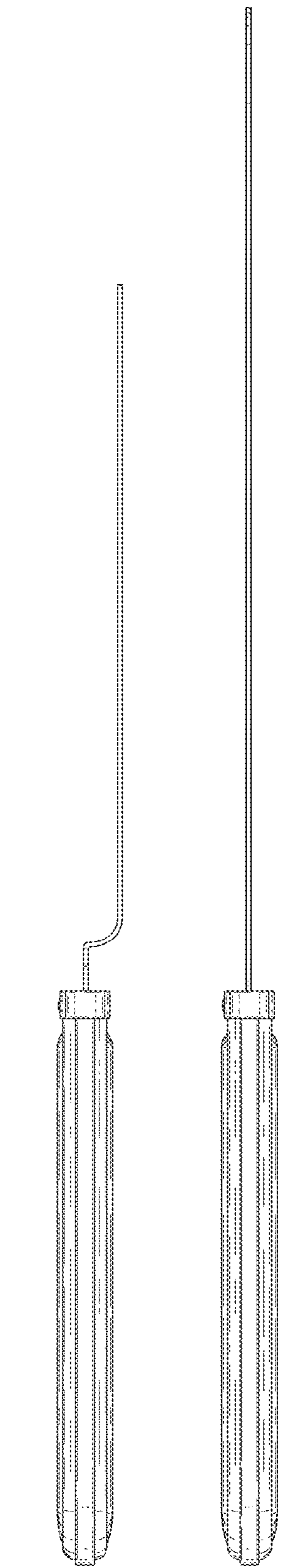


Fig. 5

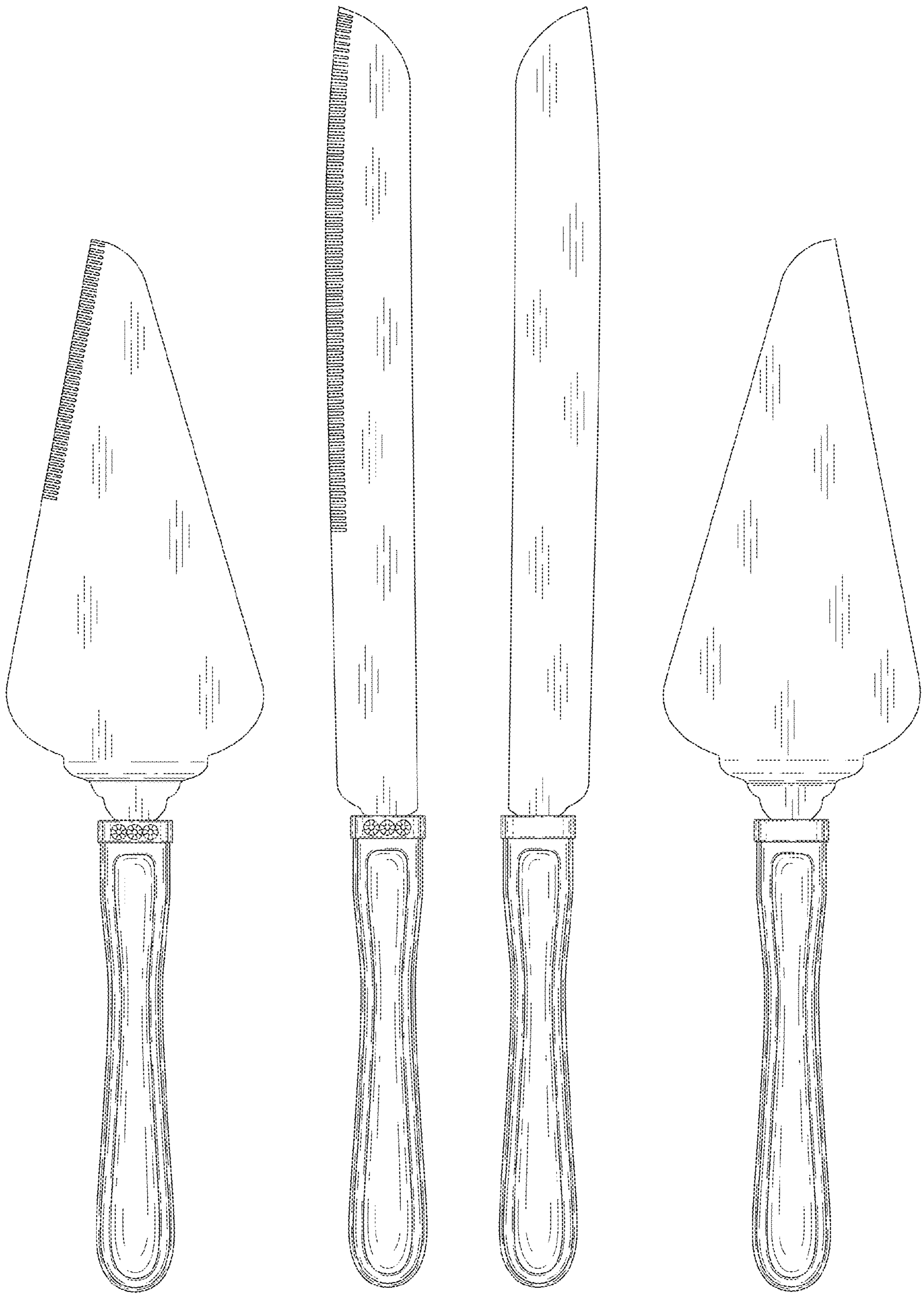


Fig. 6

Fig. 7