



US00D921445S

(12) **United States Design Patent**
Lindsay et al.

(10) **Patent No.:** **US D921,445 S**

(45) **Date of Patent:** **** Jun. 8, 2021**

(54) **CONTAINER**
(71) Applicant: **Sistema Plastics Limited**, Auckland (NZ)
(72) Inventors: **Cameron Lindsay**, Auckland (NZ); **Raymond Holmes**, Auckland (NZ)
(73) Assignee: **Sistema Plastics Limited**

D662,424 S 6/2012 Lindsay et al.
D674,248 S 1/2013 Lindsay et al.
8,678,230 B2* 3/2014 Smyers B65D 45/22
220/784
D706,084 S * 6/2014 Manley D7/629
10,173,826 B2* 1/2019 Sexton B65D 45/18
2005/0035125 A1* 2/2005 Bae B65D 45/20
220/326

(Continued)

(**) Term: **15 Years**
(21) Appl. No.: **29/692,821**

FOREIGN PATENT DOCUMENTS

EM 005512639-0001 8/2018
EM 005512639-0002 8/2018

(22) Filed: **May 29, 2019**

OTHER PUBLICATIONS

(30) **Foreign Application Priority Data**
Nov. 30, 2018 (NZ) 425422
(51) **LOC (13) Cl.** **09-07**
(52) **U.S. Cl.**
USPC **D7/629**
(58) **Field of Classification Search**
USPC D7/602, 629, 701, 703, 396.1; D9/416,
D9/424, 425, 430, 432, 435, 761;
D19/102, 106; D3/201, 203.6, 273
CPC ... B65D 1/26; B65D 1/40; B65D 5/24; B65D
81/34; B65D 81/3453; B65D 2581/34;
B65D 2581/3437
See application file for complete search history.

Sistema, Product Catalogue 2017, Feb. 2017, pp. 38, 2 pages.

Primary Examiner — Susan E Krakower
Assistant Examiner — Andrew Kerr
(74) *Attorney, Agent, or Firm* — McCarter & English, LLP

(56) **References Cited**

(57) **CLAIM**

The ornamental design for a container, as shown and described.

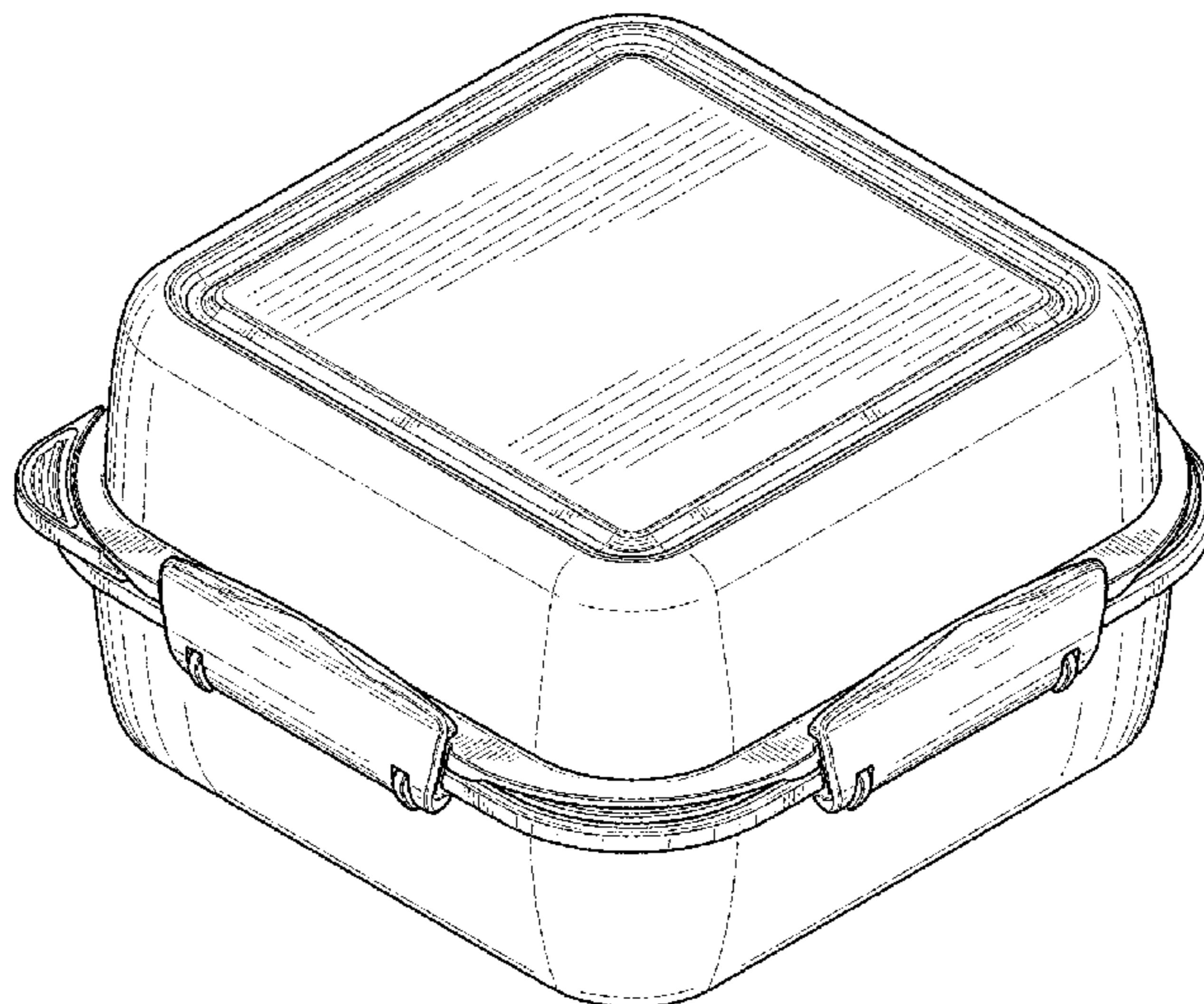
U.S. PATENT DOCUMENTS

DESCRIPTION

4,412,630 A * 11/1983 Daenen B65D 43/0218
220/792
6,793,096 B1 * 9/2004 Seok B65D 43/0218
220/326
7,090,089 B2 * 8/2006 Lown B65D 43/0218
220/324
D615,821 S * 5/2010 Stamper D7/541
D646,127 S * 10/2011 Lindsay D7/629
D652,265 S 1/2012 Lindsay et al.
D652,686 S * 1/2012 Lindsay D7/629

FIG. 1 is a top front perspective view of a container showing our new design;
FIG. 2 is a bottom front perspective view of FIG. 1;
FIG. 3 is an exploded front perspective view of the container of FIG. 1;
FIG. 4 is an exploded rear perspective view of the container of FIG. 1;
FIG. 5 is a left side view of the container of FIG. 1;
FIG. 6 is a right side view of the container of FIG. 1;
FIG. 7 is a front view of the container of FIG. 1;
FIG. 8 is a rear view of the container of FIG. 1;
FIG. 9 is a top view of the container of FIG. 1; and,
FIG. 10 is a bottom view of the container of FIG. 1.

1 Claim, 10 Drawing Sheets



(56)

References Cited

U.S. PATENT DOCUMENTS

2010/0237070 A1* 9/2010 Coonce B65D 81/2038
220/203.29
2011/0163099 A1* 7/2011 DiPietro B65D 43/0212
220/324

* cited by examiner

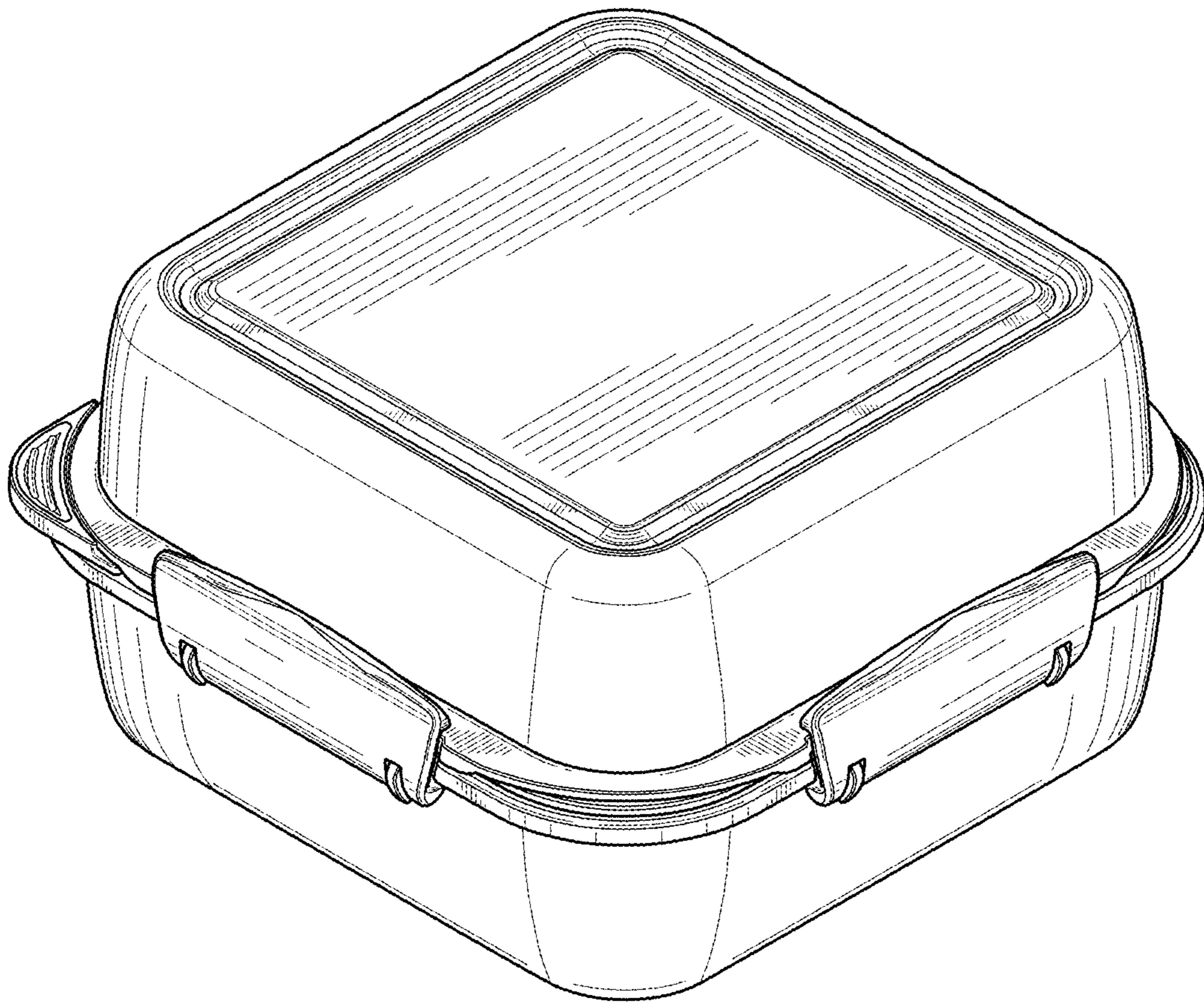


FIG. 1

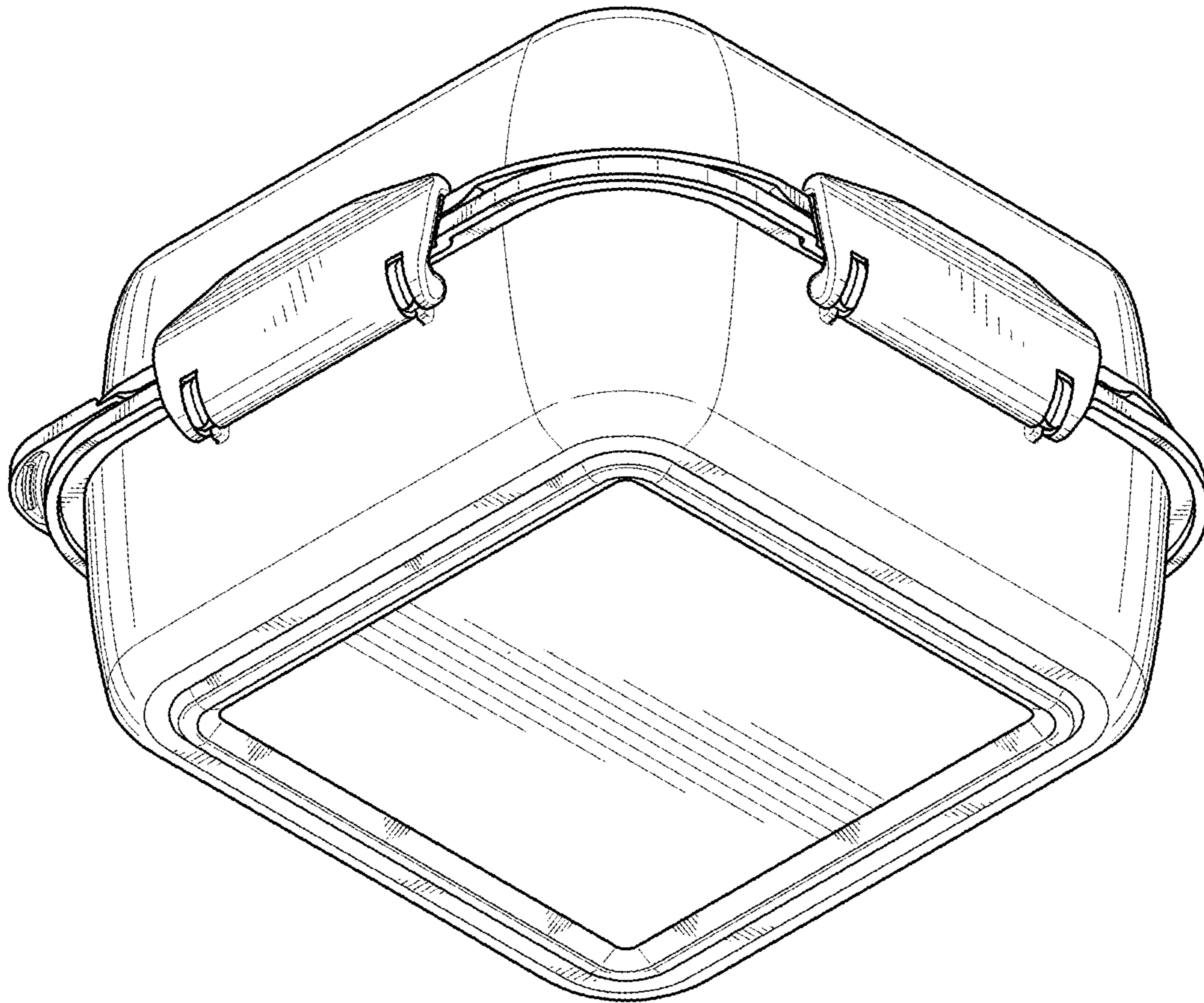


FIG. 2

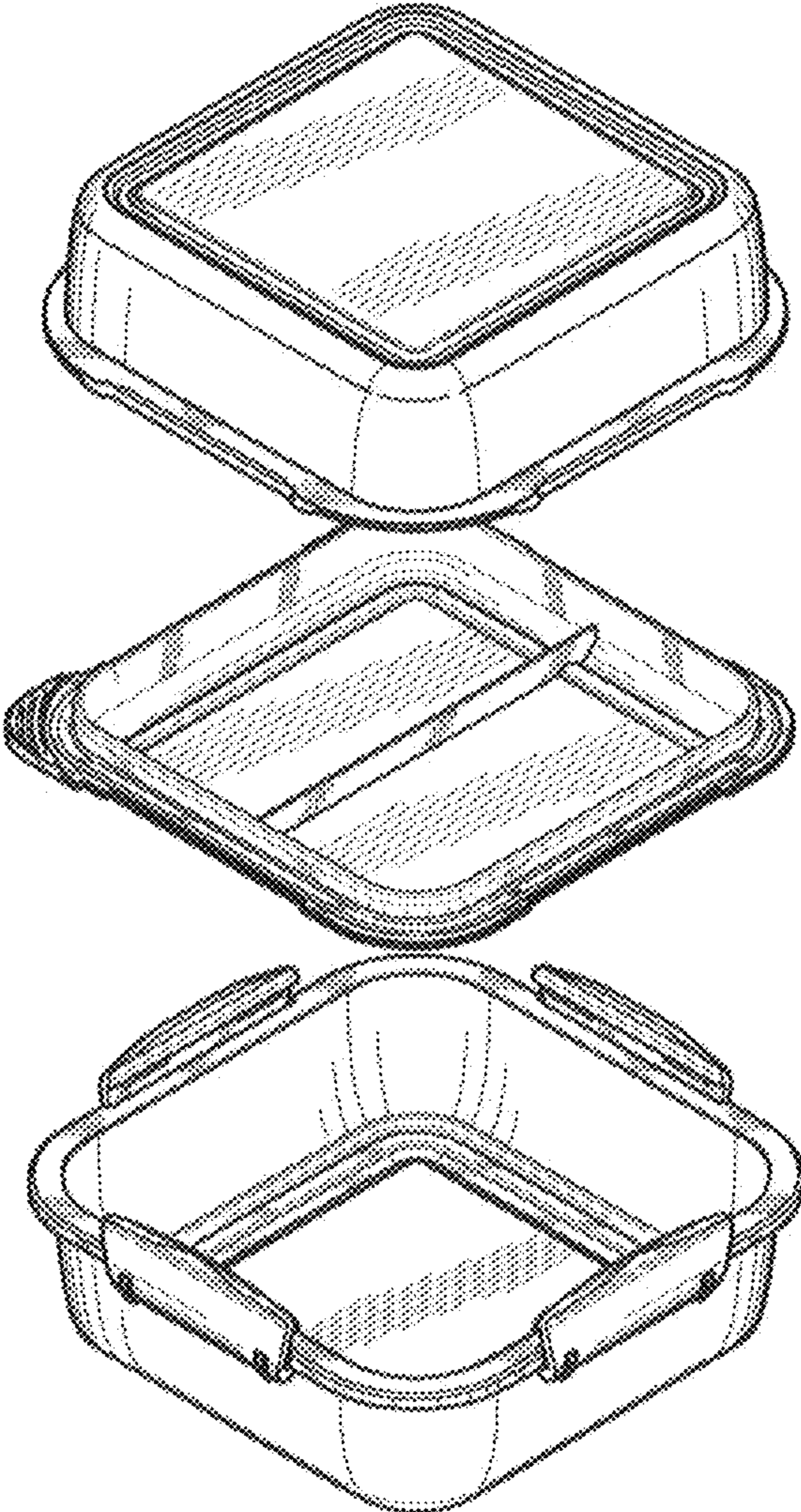


FIG. 3

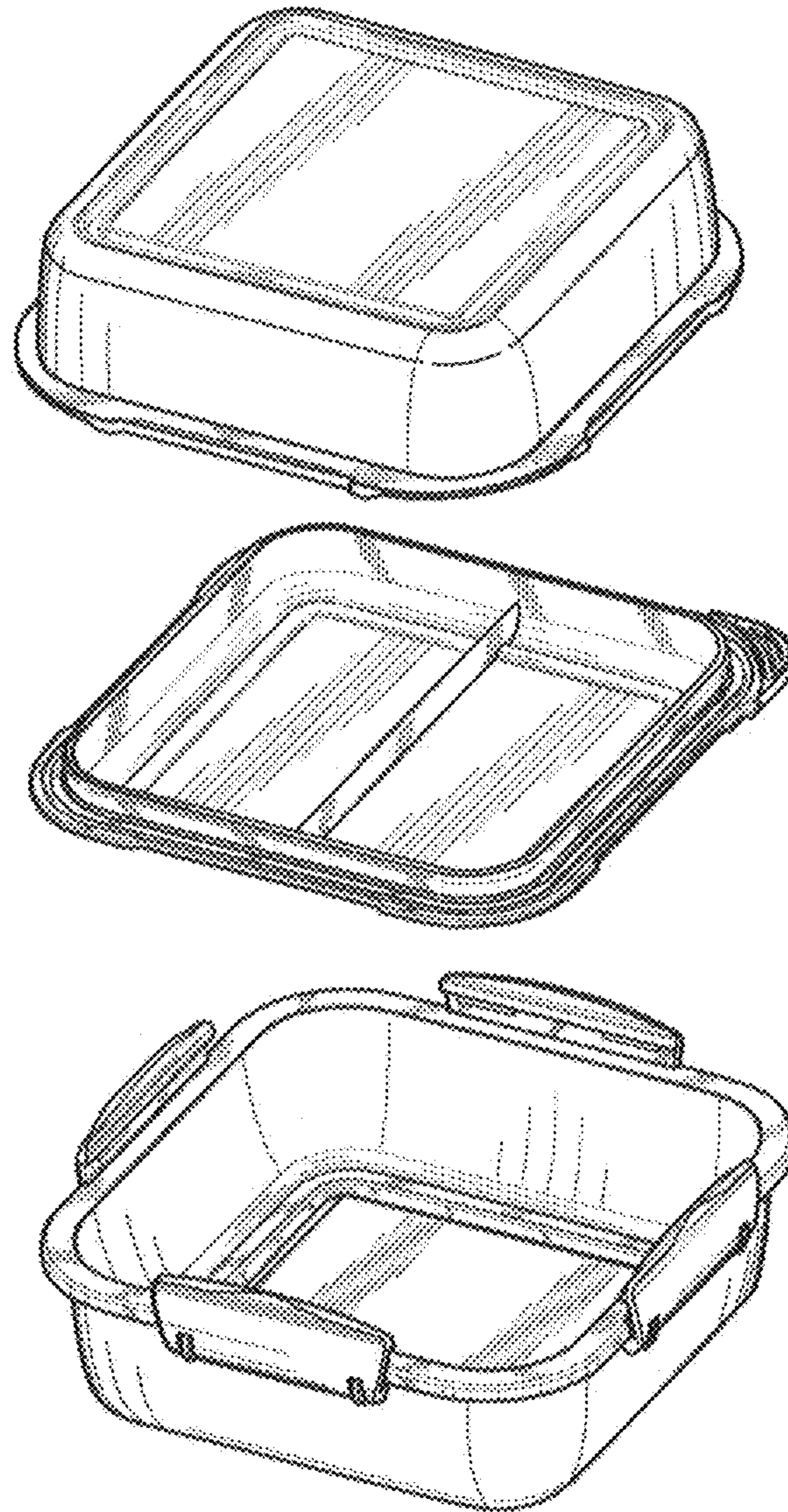


FIG. 4

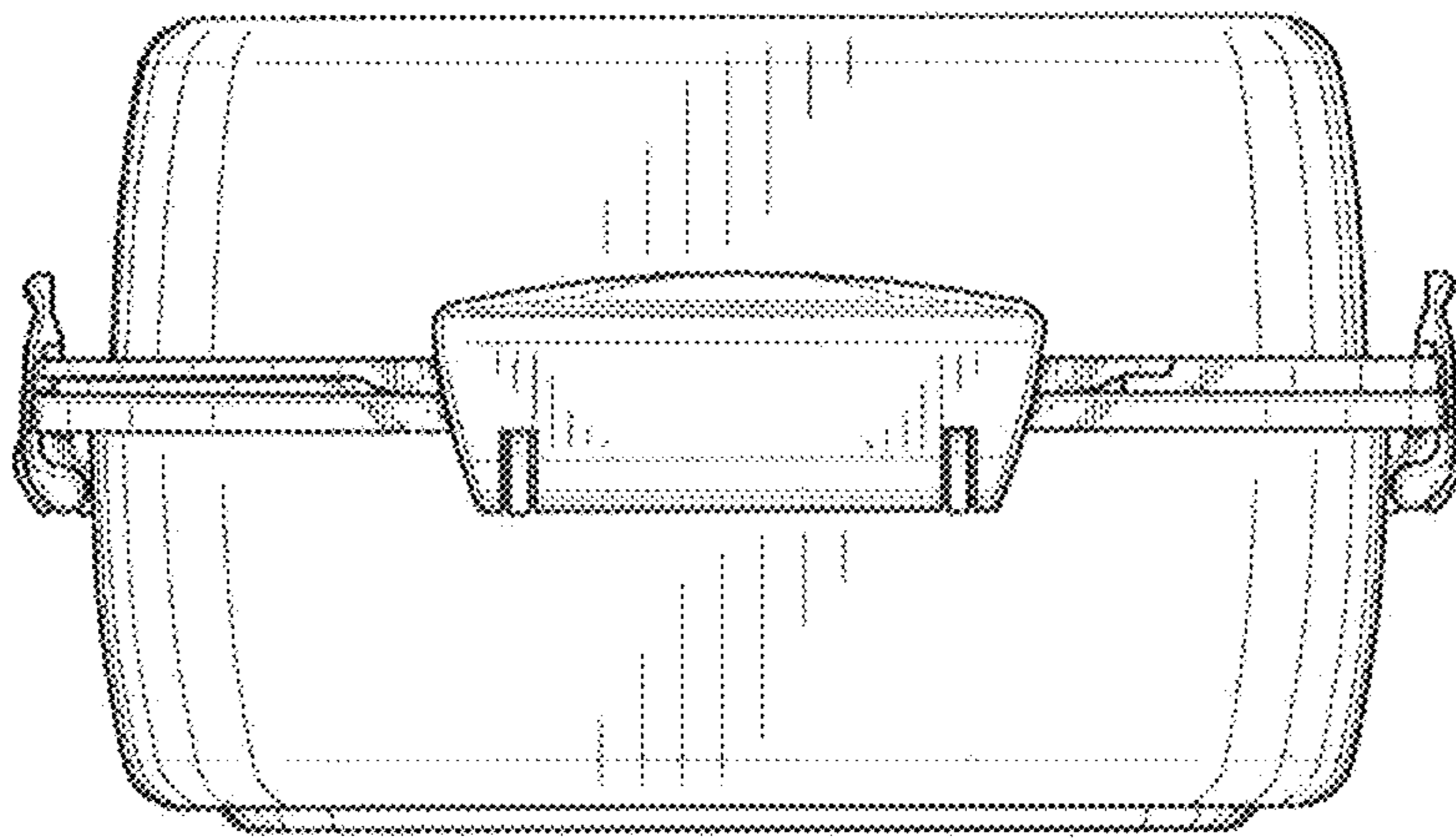


FIG. 5

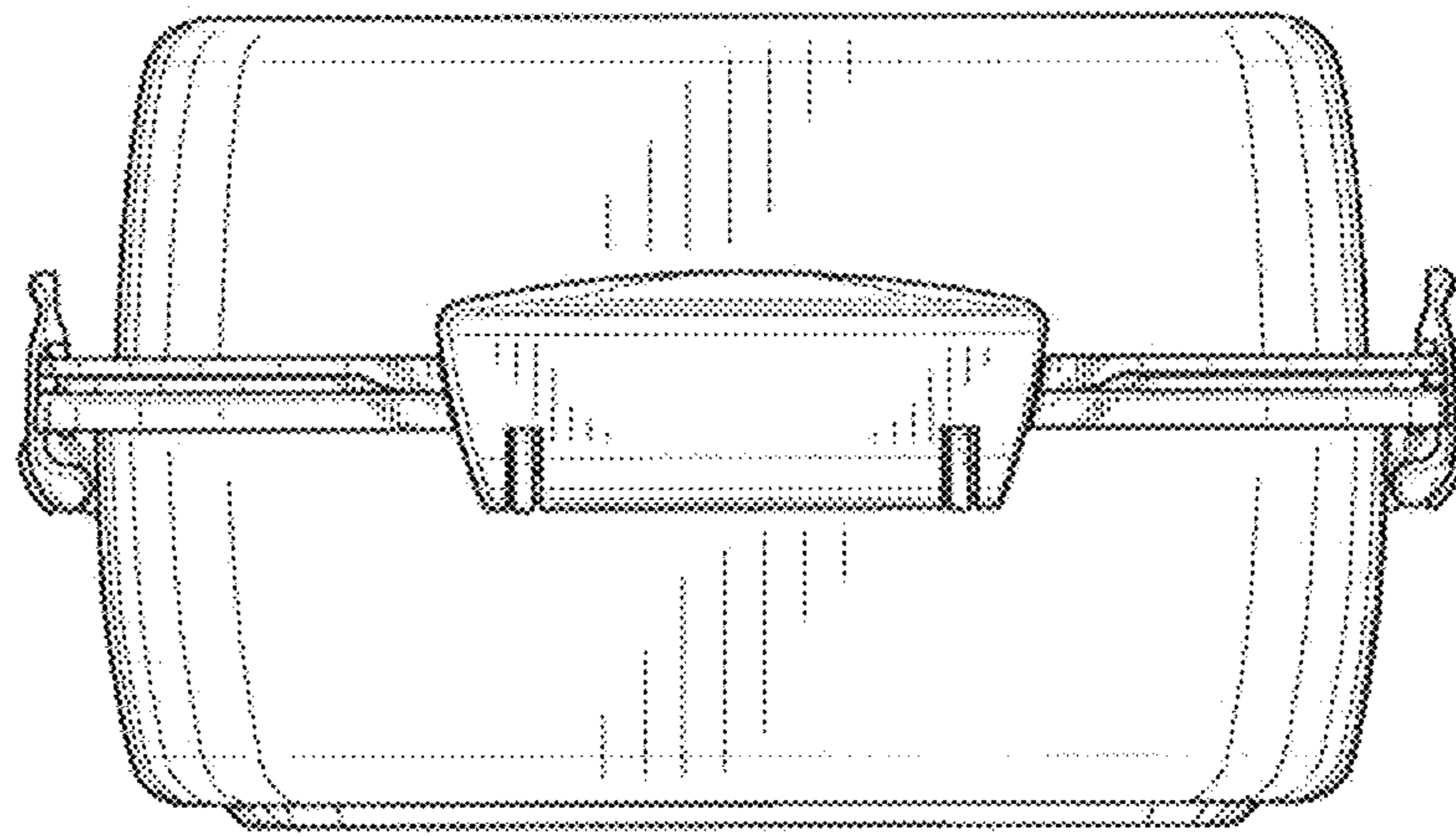


FIG. 6

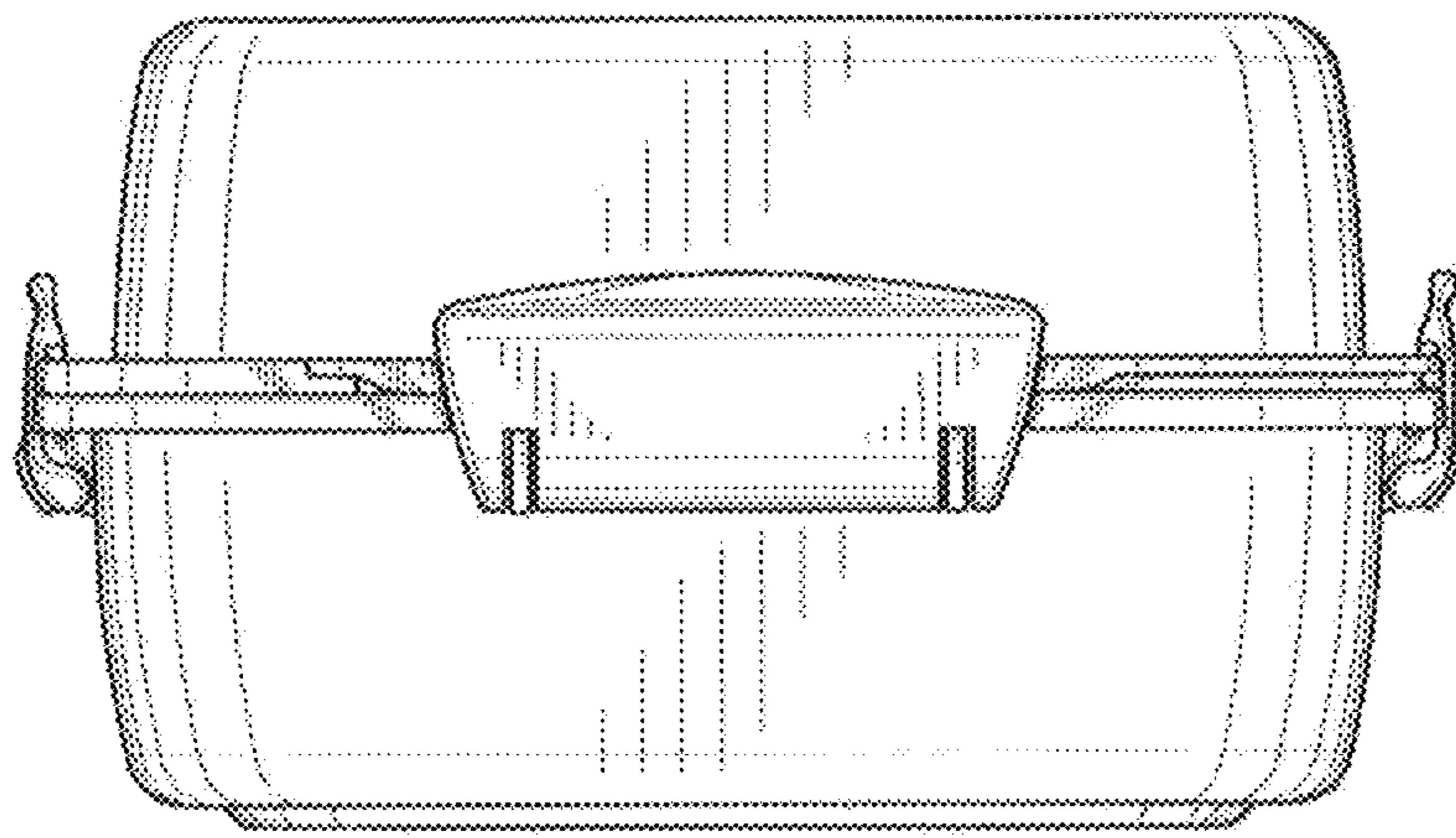


FIG. 7

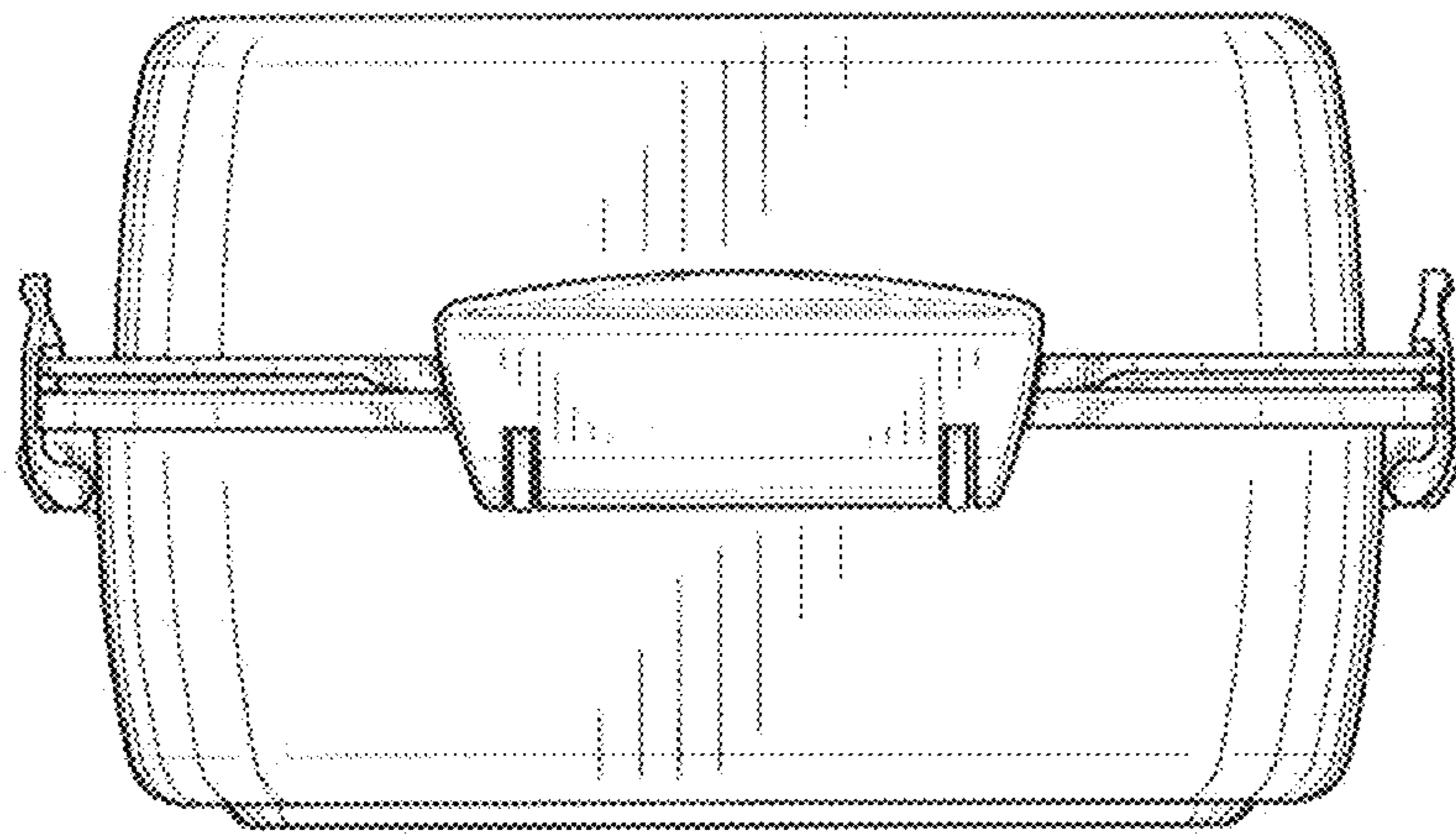


FIG. 8

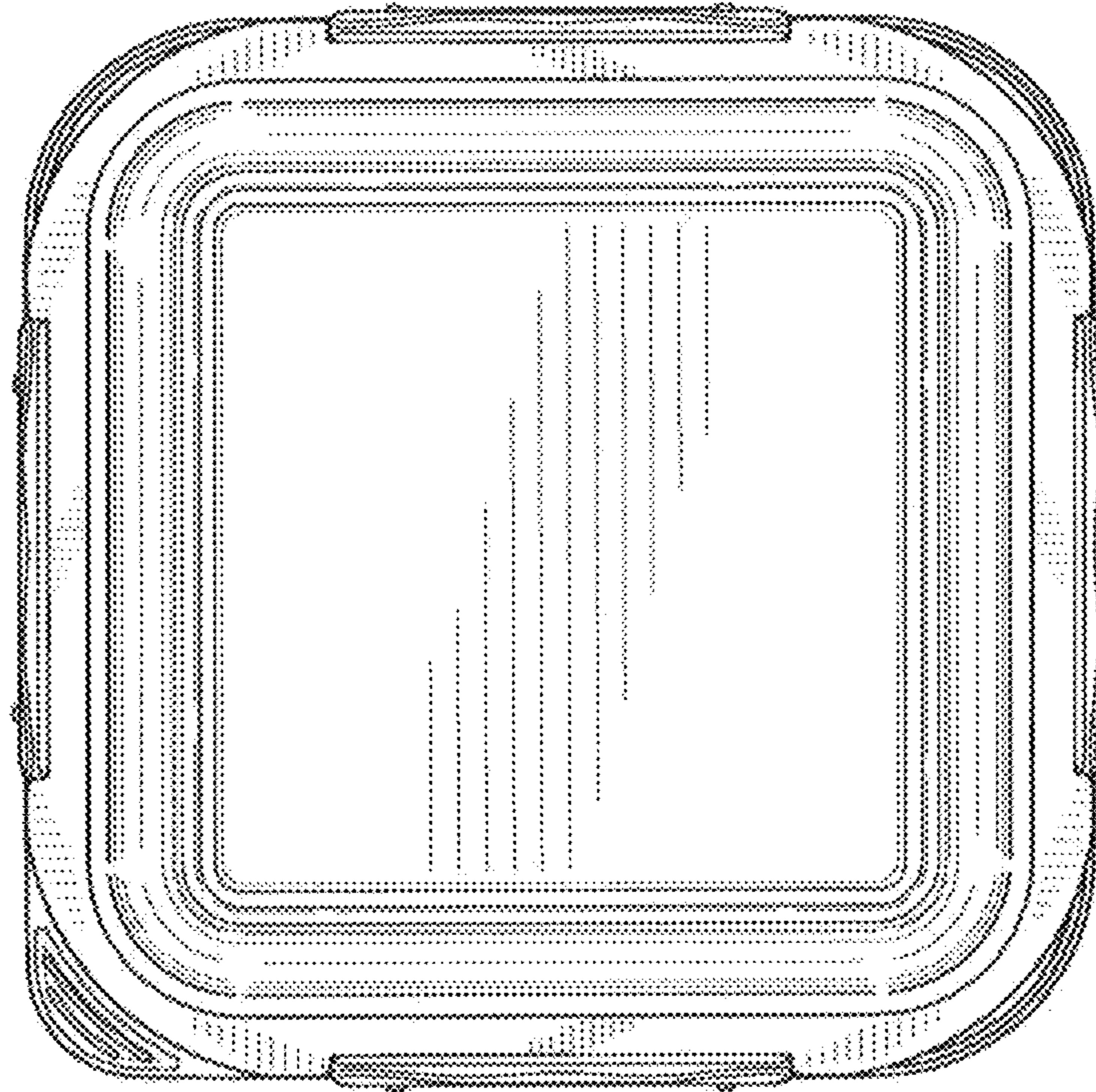


FIG. 9

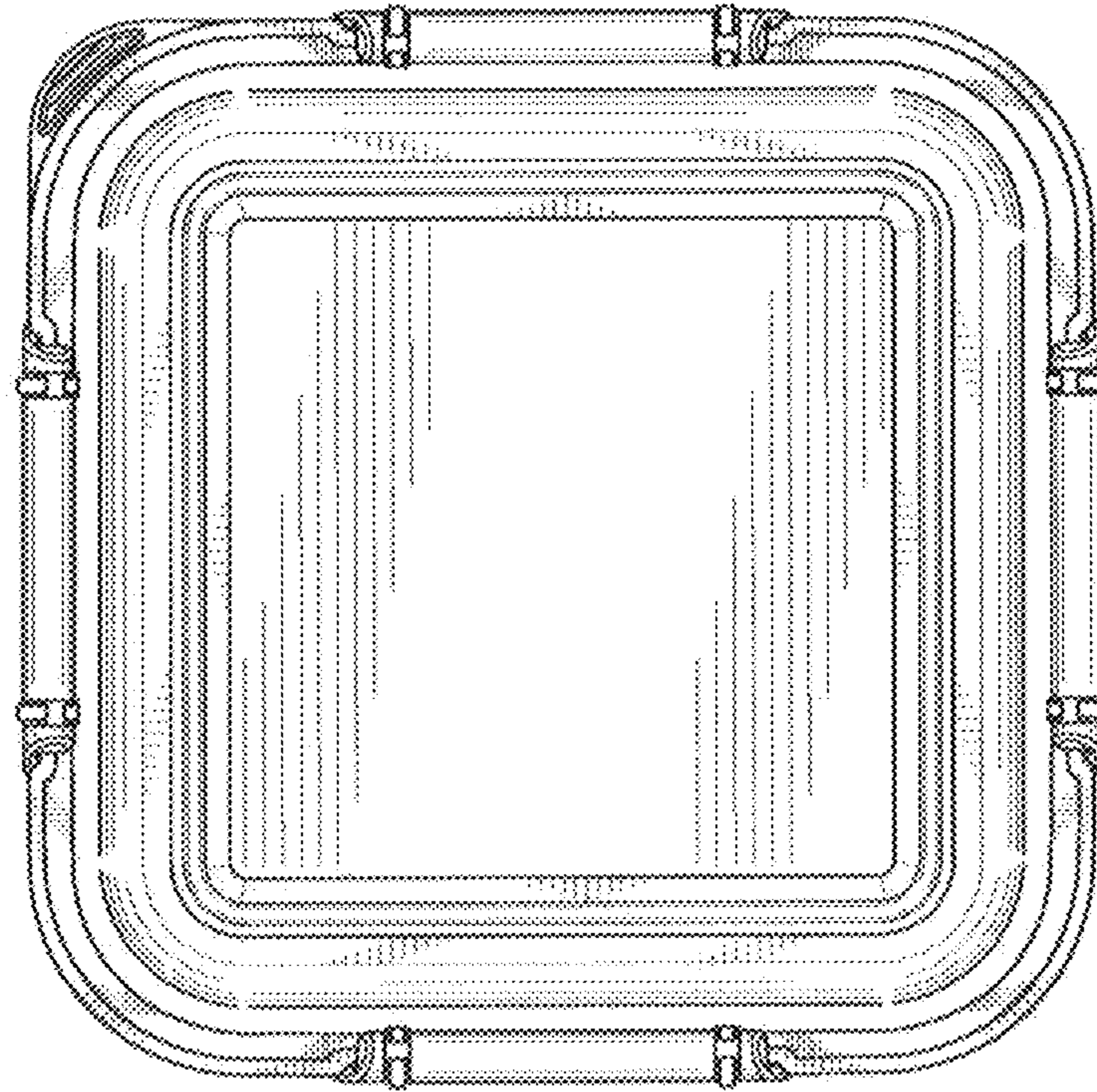


FIG. 10