



US00D921443S

(12) **United States Design Patent** (10) **Patent No.:** **US D921,443 S**
Nelson, Jr. et al. (45) **Date of Patent:** **** Jun. 8, 2021**

(54) **CONTAINER**
(71) Applicant: **AMORE PETS LLC**, Hollywood, FL (US)
(72) Inventors: **John Nelson, Jr.**, Hollywood, FL (US); **Jack Riccobono**, Hollywood, FL (US); **Dominic Riccobono**, Hollywood, FL (US); **Mark Tristan Shumate**, Hollywood, FL (US)
(73) Assignees: **John Nelson**, Hollywood, FL (US); **Jack Riccobono**, Hollywood, FL (US); **Dominic Riccobono**, Hollywood, FL (US); **Mark T. Shumate**, Hollywood, FL (US)

D476,808 S * 7/2003 Carr D3/271.2
D481,867 S * 11/2003 Hotz D3/271.2
D511,030 S * 10/2005 Byrne D30/160
D512,189 S * 11/2005 Byrne D30/160
D514,278 S * 2/2006 Weinberg A01K 15/026
D1/106
D540,181 S * 4/2007 Edwards D30/160
7,579,038 B1 * 8/2009 Weinberg A23J 3/14
426/104
D658,823 S * 5/2012 Viola D30/160
D658,824 S * 5/2012 Viola D30/160
D677,441 S * 3/2013 Renforth D30/160
D686,797 S * 7/2013 Robinson D1/106
D699,416 S * 2/2014 Barnvos D1/125
D708,417 S * 7/2014 Allen D1/106
D740,500 S * 10/2015 Wickens D30/160
D786,381 S * 5/2017 Heinrich D21/808
D789,755 S * 6/2017 Morrow, Sr. D7/628

(Continued)

(**) Term: **15 Years**

Primary Examiner — Susan E Krakower

(21) Appl. No.: **29/701,261**

Assistant Examiner — Andrew Kerr

(22) Filed: **Aug. 9, 2019**

(74) *Attorney, Agent, or Firm* — Geoffrey Lottenberg;
Berger Singerman LLP

(51) **LOC (13) Cl.** **09-07**

(57) **CLAIM**

(52) **U.S. Cl.**
USPC **D7/628**

The ornamental design for a container, as shown and described.

(58) **Field of Classification Search**
USPC D7/601, 602, 628, 629; D30/160;
D1/106, 199; D21/385, 386; D11/157,
D11/164
CPC A61J 17/02; A01K 15/02; A01K 15/025;
A01K 15/026; A63H 33/32

DESCRIPTION

See application file for complete search history.

FIG. 1 is a perspective view of a container, showing our new design.

FIG. 2 is a front elevation view thereof;

FIG. 3 is a rear elevation view thereof;

FIG. 4 is a left side elevation view thereof;

FIG. 5 is a right side elevation view thereof;

FIG. 6 is a top plan view thereof;

FIG. 7 is a bottom plan view thereof; and,

FIG. 8 is an exploded perspective view thereof.

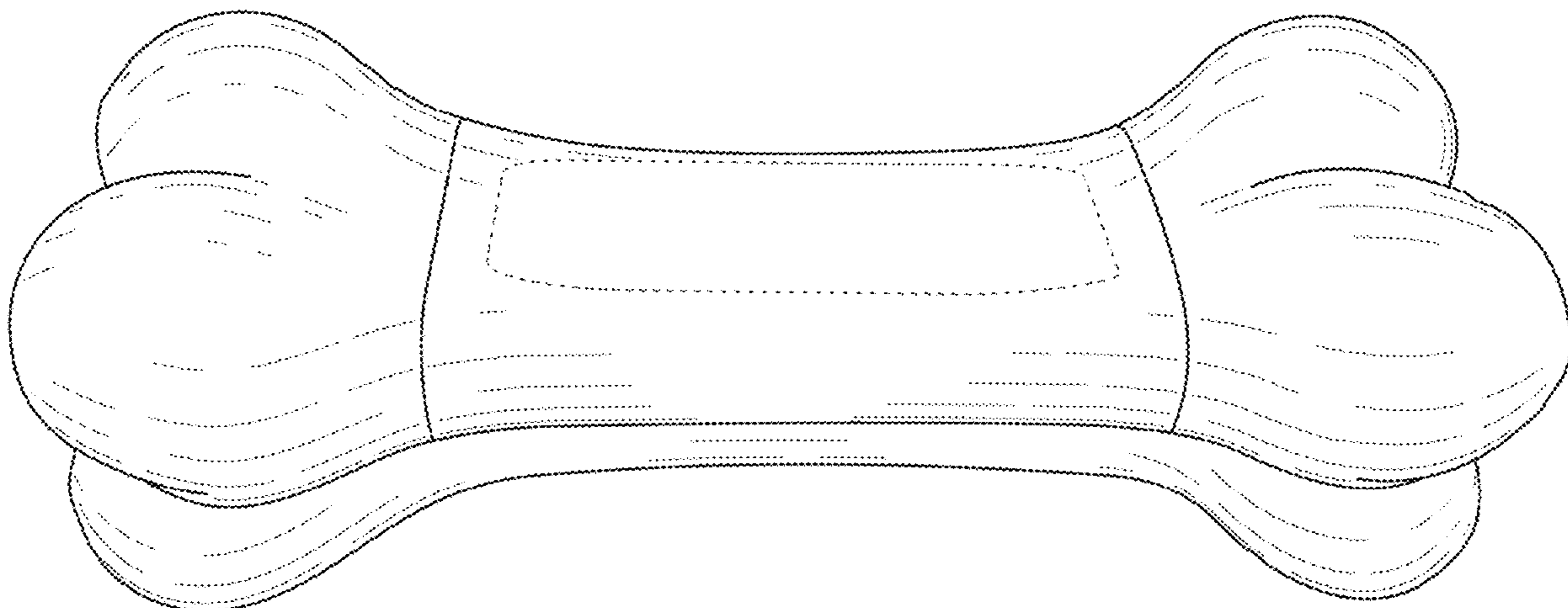
The broken lines in the drawings depict a portion of the container that forms no part of the claimed design.

(56) **References Cited**

U.S. PATENT DOCUMENTS

D343,262 S * 1/1994 Axelrod D30/160
5,419,283 A * 5/1995 Leo A01K 15/026
119/709
5,553,570 A * 9/1996 VanNatter, III A01K 15/025
119/709
D428,136 S * 7/2000 Cady D24/101

1 Claim, 5 Drawing Sheets



(56)

References Cited

U.S. PATENT DOCUMENTS

D814,696 S *	4/2018	Zhou	D28/7
D838,418 S *	1/2019	Zelinger	D30/160
D858,907 S *	9/2019	Gick	D30/160
D869,786 S *	12/2019	Gick	D30/160

* cited by examiner

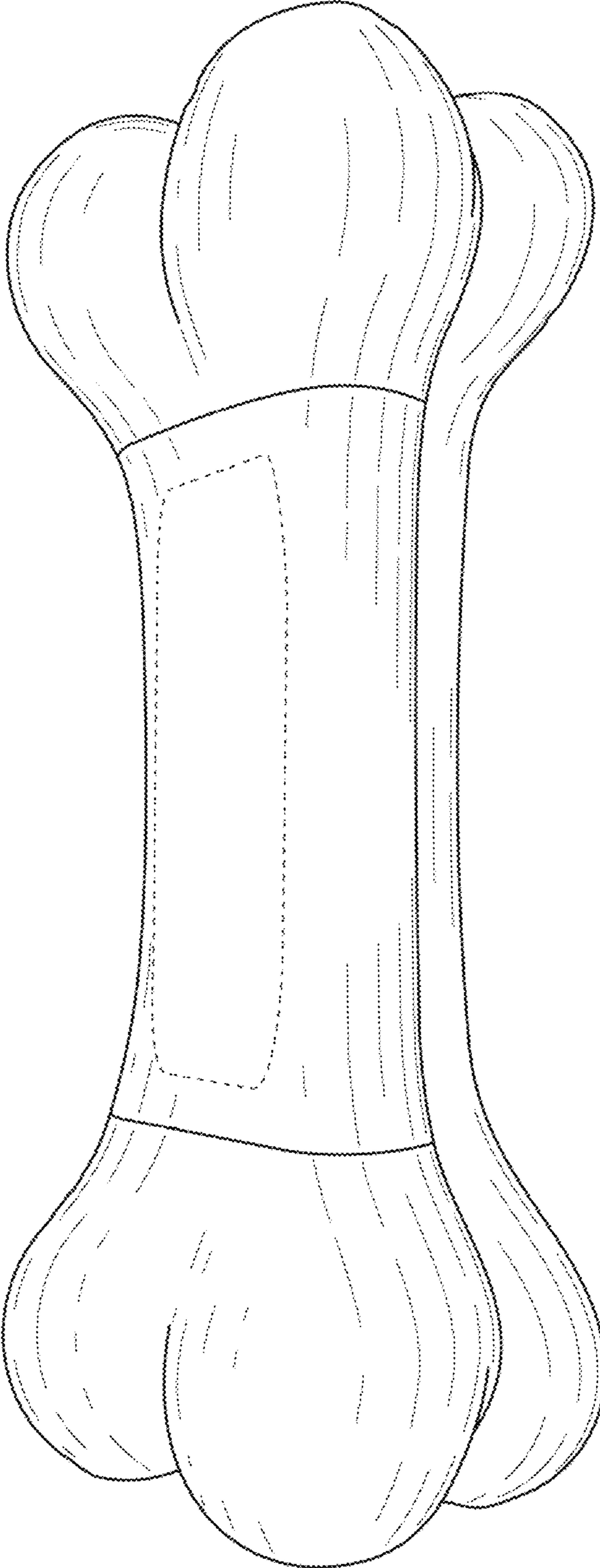


FIG. 1

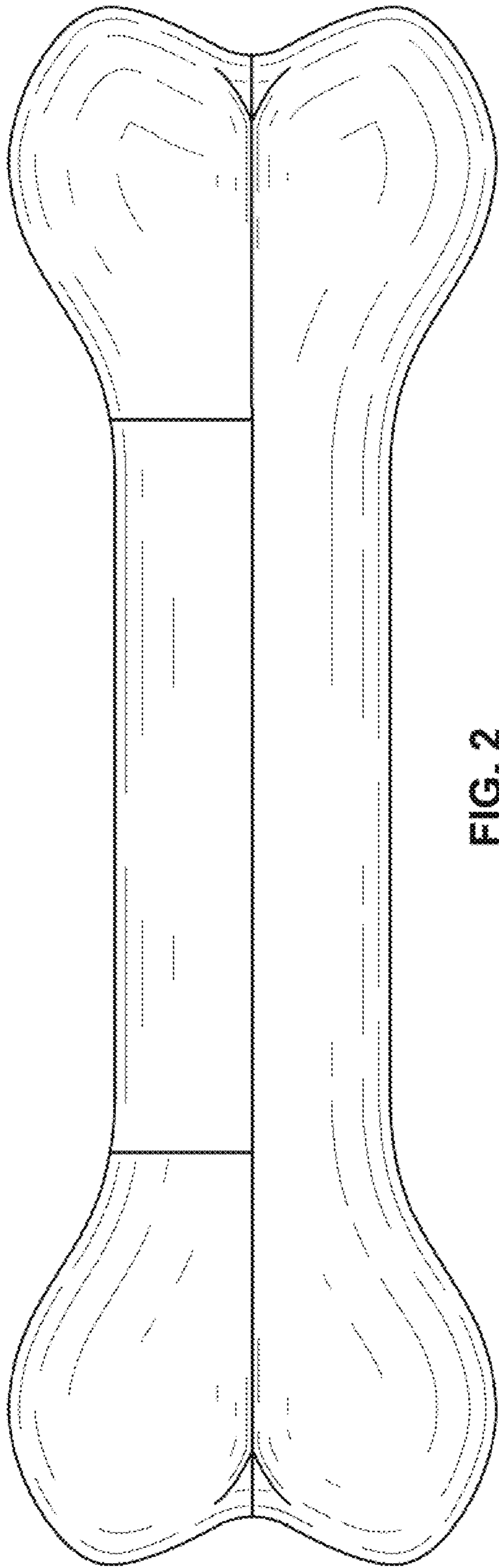


FIG. 2

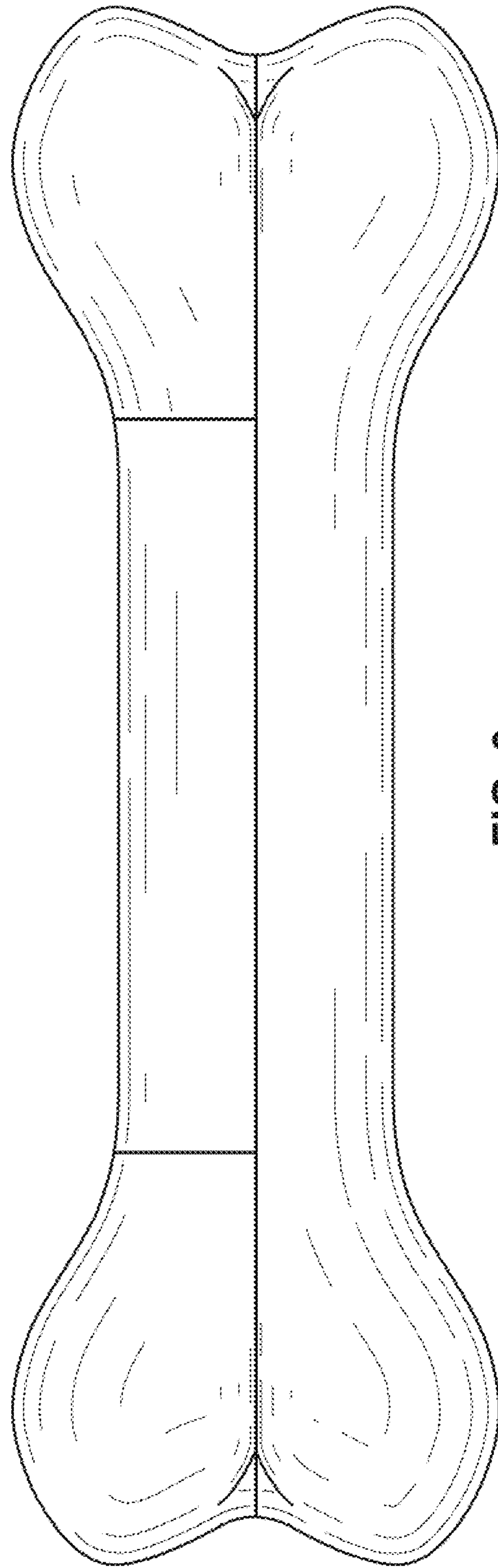


FIG. 3

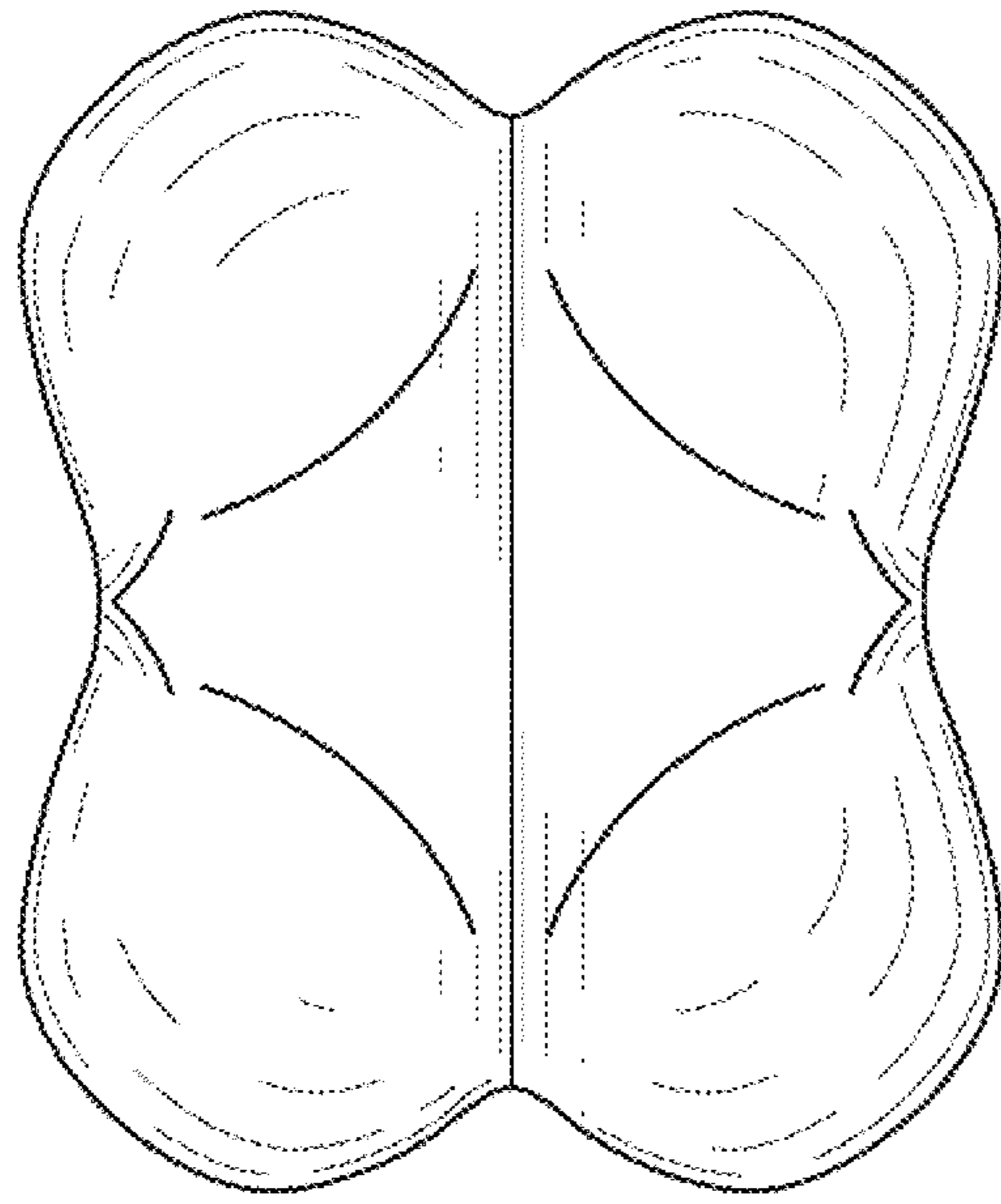


FIG. 5

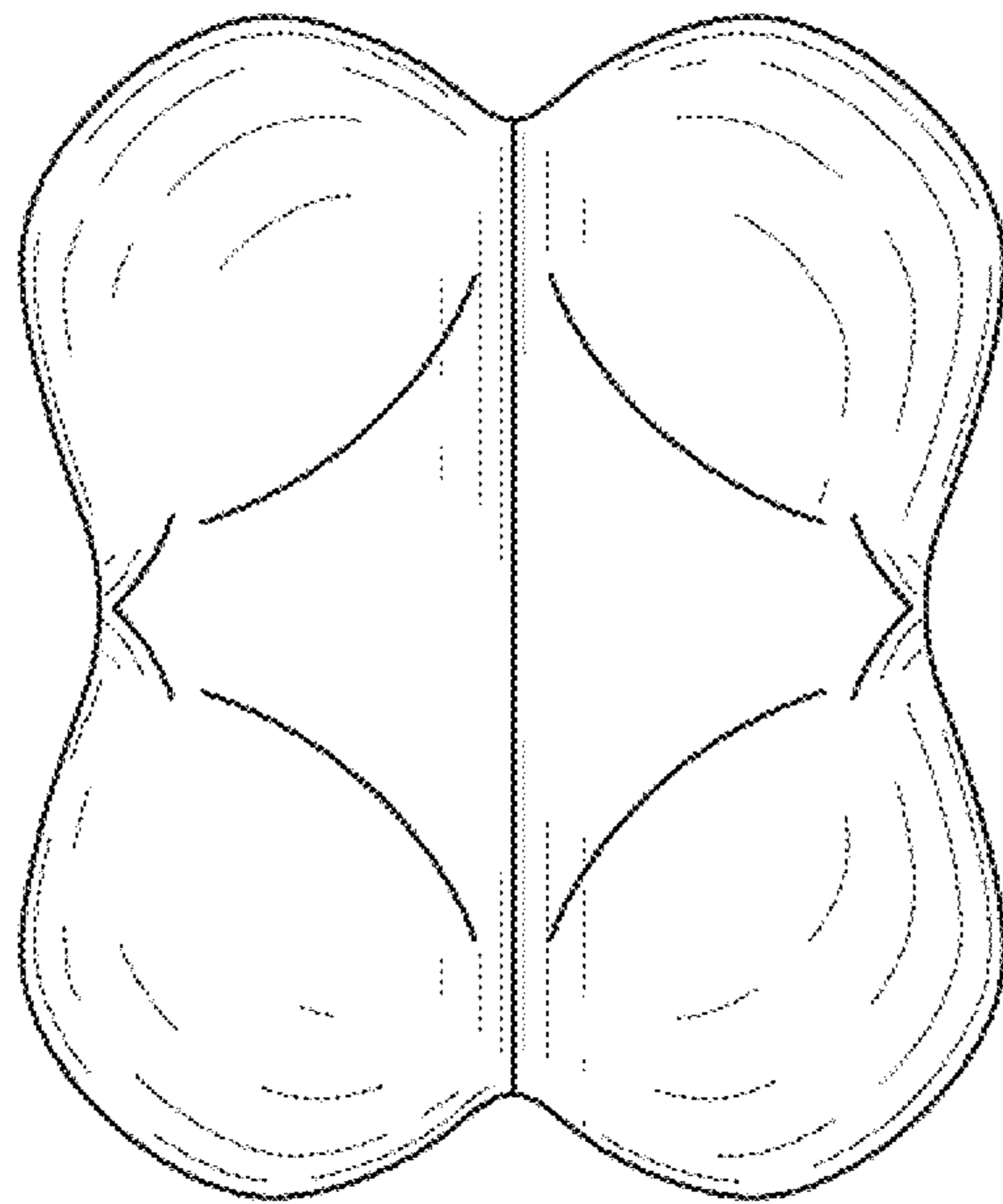


FIG. 4

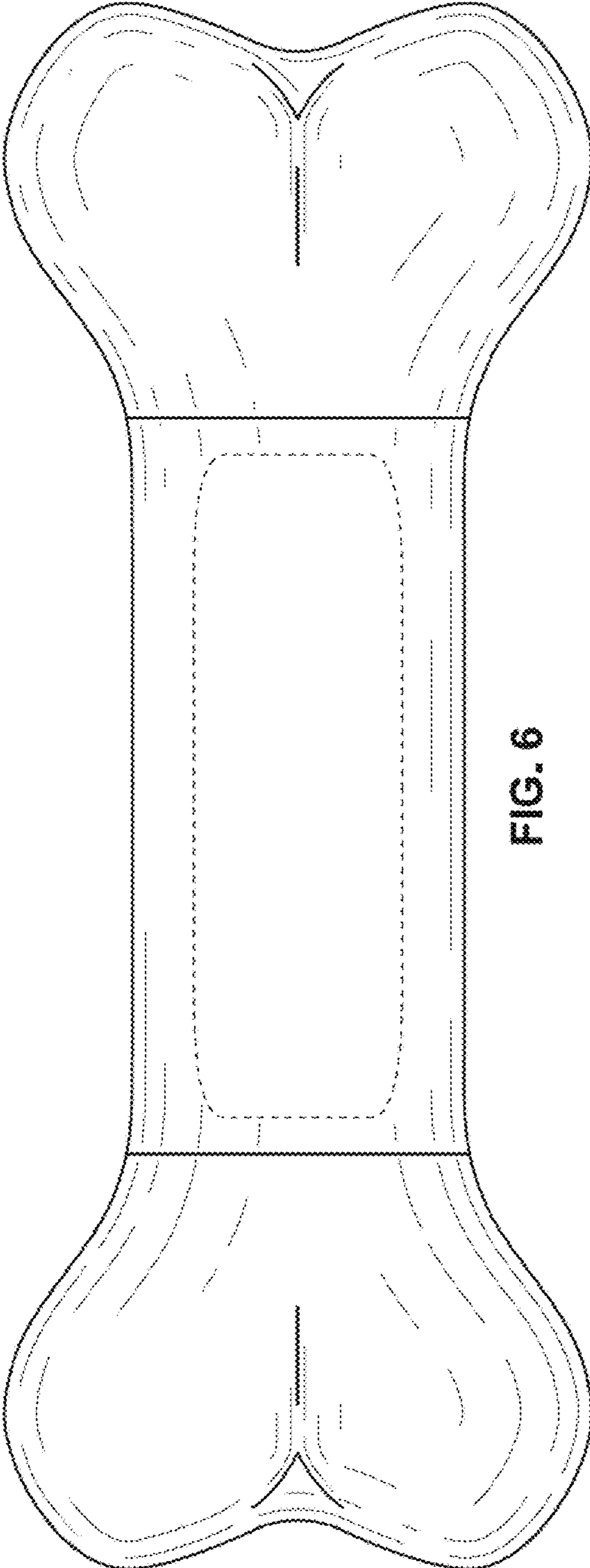


FIG. 6

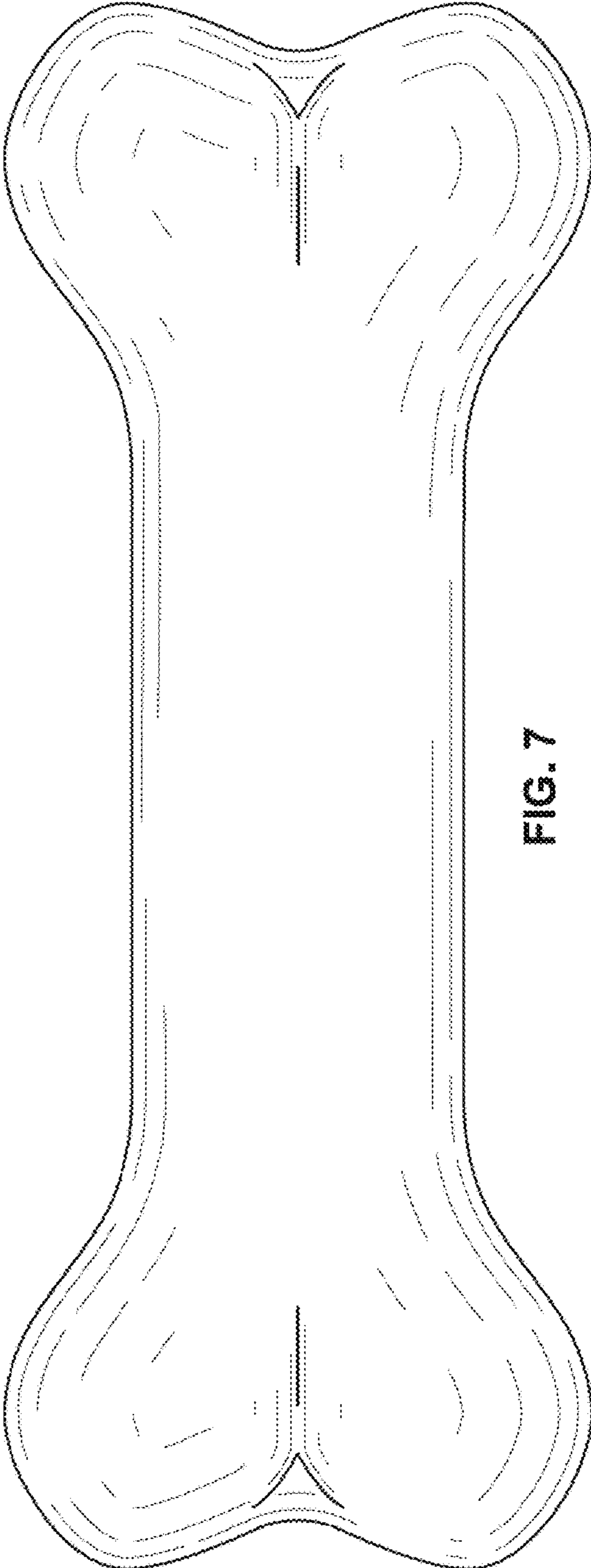


FIG. 7

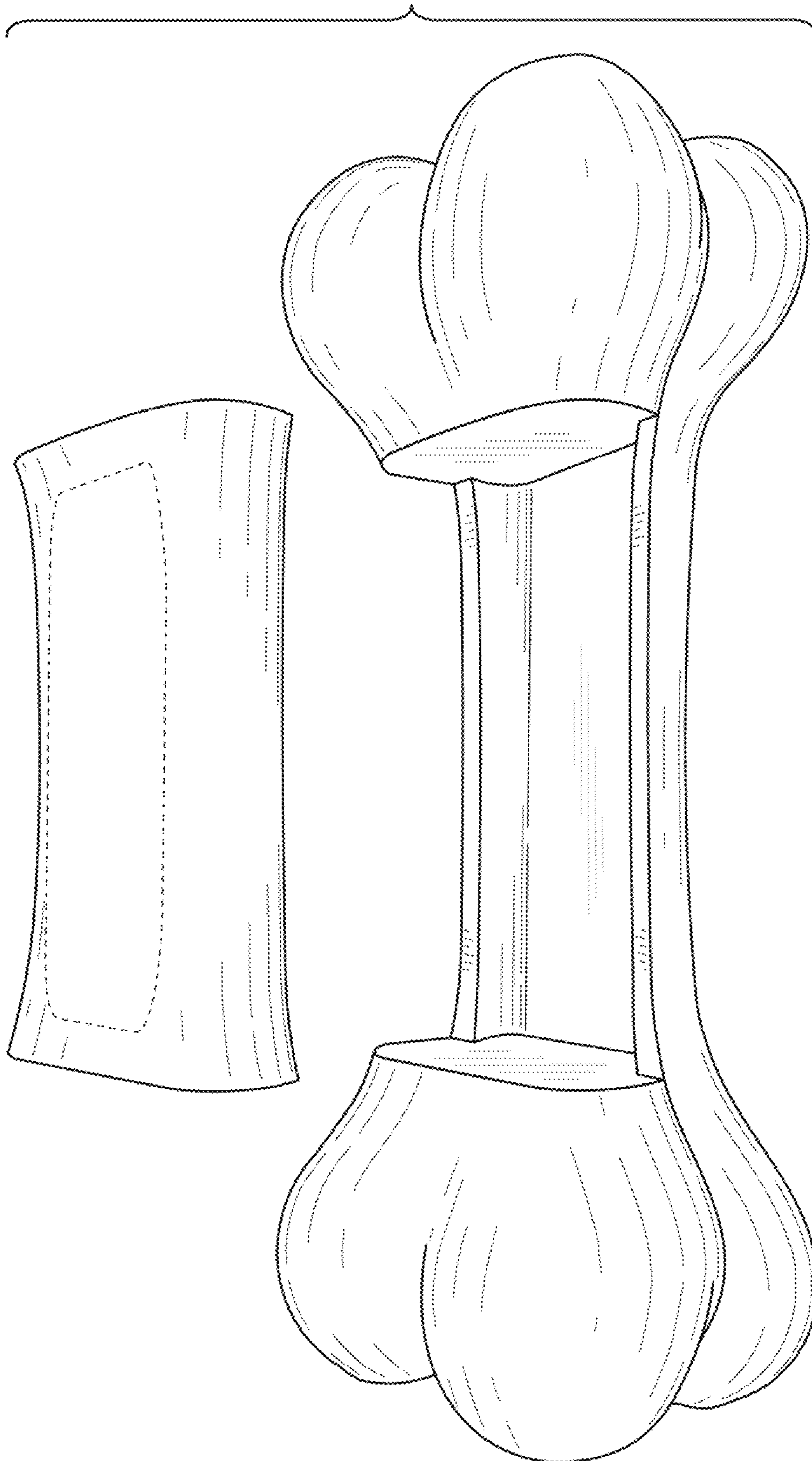


FIG. 8