



US00D921439S

(12) **United States Design Patent** (10) **Patent No.:** **US D921,439 S**
Meda et al. (45) **Date of Patent:** **** Jun. 8, 2021**

(54) **COOLER**

(71) Applicant: **Dometic Sweden AB**, Solna (SE)
(72) Inventors: **Samuele Meda**, Solna (SE); **Mikael Thelin**, Huddinge (SE); **Kristoffer Olsson**, Hägersten (SE); **Ken Ng**, Sham Shui Pu (HK); **Wang Xipeng**, Shenzhen (CN)

(73) Assignee: **Dometic Sweden AB**, Solna (SE)

(**) Term: **15 Years**

(21) Appl. No.: **29/743,180**

(22) Filed: **Jul. 20, 2020**

Related U.S. Application Data

(62) Division of application No. 29/666,264, filed on Oct. 11, 2018, now Pat. No. Des. 901,986.

(30) **Foreign Application Priority Data**

Apr. 12, 2018 (EM) 005230802

(51) **LOC (13) Cl.** **07-01**

(52) **U.S. Cl.**
USPC **D7/605**

(58) **Field of Classification Search**
USPC D7/605-607, 709, 710; D3/283, 289, D3/301, 272-274, 201, 203.1-203.8
CPC F25D 3/08; F25D 3/02; F25D 3/04; F25D 3/06; F25D 3/14; F25D 3/107; F25D 2331/804; F25D 2331/801; B65D 81/38; B65D 81/3813; B65D 81/3816; B65D 81/3818; B65D 81/382; B65D 81/3823; B65D 81/3825; B65D 81/3827; B65D 81/383; B65D 81/3832; B65D 81/3834; B65D 81/3848; B65D 81/3851; B65D

(Continued)

(56) **References Cited**

U.S. PATENT DOCUMENTS

3,979,007 A * 9/1976 Thornbloom, Jr. A45C 11/20
220/522
4,696,412 A * 9/1987 McGowan B65D 43/167
16/257

(Continued)

FOREIGN PATENT DOCUMENTS

AU 201816061 1/2019
AU 201910011 2/2019

(Continued)

OTHER PUBLICATIONS

Design U.S. Appl. No. 29/666,264 entitled "Cooler" filed Oct. 11, 2018.

(Continued)

Primary Examiner — Terry A Wallace

(74) *Attorney, Agent, or Firm* — Middleton Reutlinger

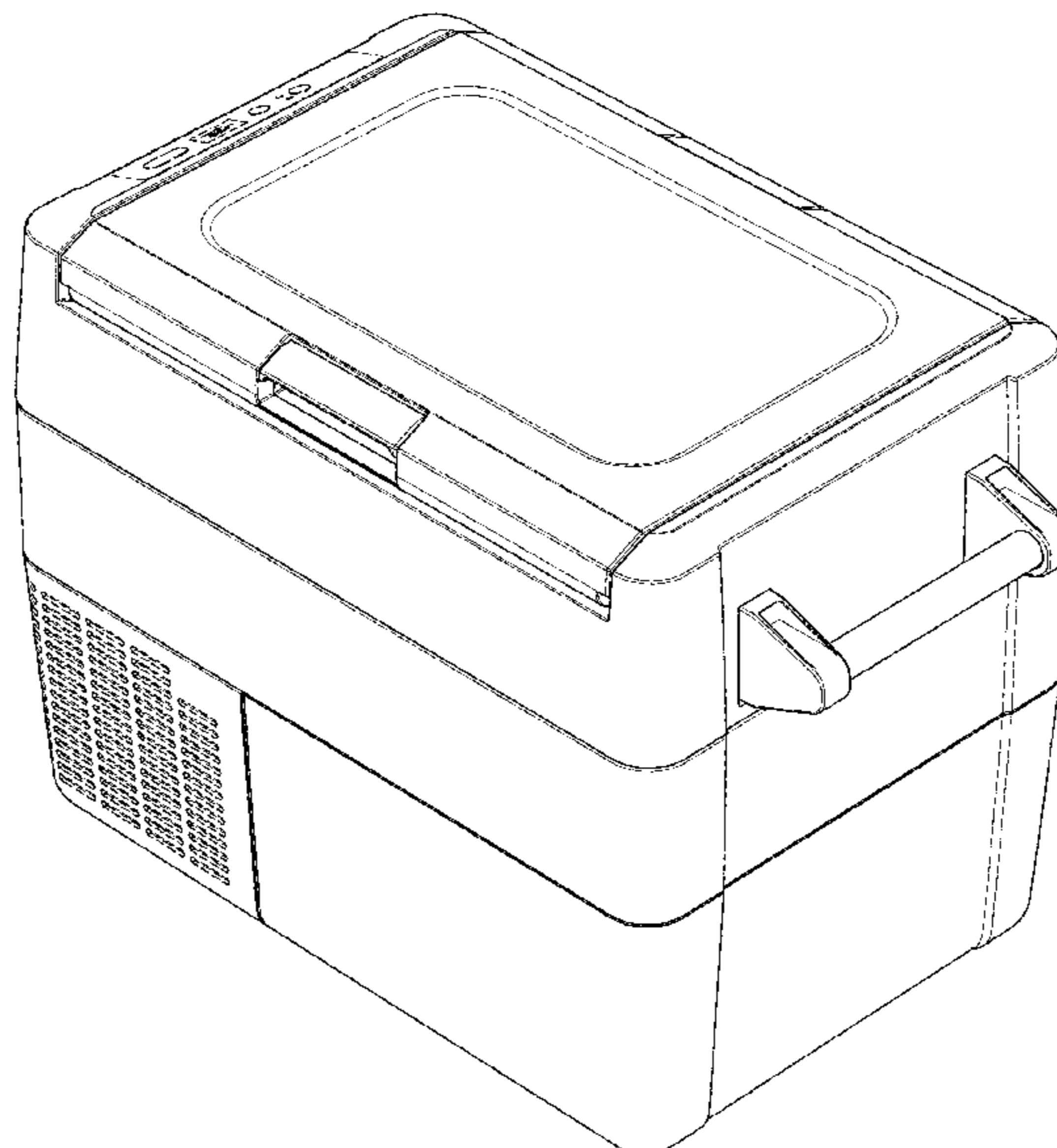
(57) **CLAIM**

The ornamental design for a cooler, as shown and described.

DESCRIPTION

FIG. 1 is a front perspective view of a cooler showing our new design.
FIG. 2 is a rear perspective view of the cooler design of FIG. 1;
FIG. 3 is a first side view of the cooler design of FIG. 1;
FIG. 4 is a second side view of the cooler design of FIG. 1;
FIG. 5 is a front view of the cooler design of FIG. 1;
FIG. 6 is a rear view of the cooler design of FIG. 1; and,
FIG. 7 is a top view of the cooler design of FIG. 1.
The broken line disclosure represents unclaimed portions of the cooler in which the design is embodied.

1 Claim, 7 Drawing Sheets



(58) **Field of Classification Search**
 CPC 81/3853; B65D 81/3855; B65D 81/3858;
 B65D 81/386; B65D 81/3862; A45C
 11/20; A45C 3/00
 See application file for complete search history.

CN	209893773	U	1/2020
CN	305553099	S	1/2020
DE	20110247	U1	12/2002
DE	202009015164	U1	3/2010
DE	202014000386	U1	5/2014
EM	005230802-0001		4/2018
EM	005230802-0002		4/2018
WO	2018095957	A1	5/2007
WO	2018233611	A1	12/2018

(56) **References Cited**

U.S. PATENT DOCUMENTS

5,301,508	A *	4/1994	Kahl	F25B 21/02 62/3.62
D497,517	S	10/2004	Rueter		
D500,057	S	12/2004	Reuter		
D534,771	S	1/2007	Zorn		
D566,479	S *	4/2008	Kabalin	D3/273
8,544,648	B2 *	10/2013	Cleveland	B65D 81/3823 206/508
D792,486	S	7/2017	Li et al.		
D802,028	S	11/2017	Li		
D802,029	S	11/2017	Li		
D802,630	S	11/2017	Li et al.		
D820,049	S	6/2018	Ahlstrom et al.		
D836,993	S	1/2019	Meda et al.		
D836,994	S	1/2019	Meda et al.		
D844,386	S	4/2019	Ahlstrom et al.		
D901,986	S	11/2020	Meda		
2015/0369529	A1 *	12/2015	Monroe	F25D 3/08 62/457.2
2017/0023290	A1	1/2017	DeMuth et al.		
2018/0141718	A1	5/2018	Ahlstrom et al.		
2019/0161240	A1	5/2019	Ahlstrom et al.		

FOREIGN PATENT DOCUMENTS

CN	207081259	U	3/2018
CN	106233083	B	7/2019
CN	305240920	S	7/2019
CN	110191654	A	8/2019

OTHER PUBLICATIONS

Requirement for Restriction/Election in U.S. Appl. No. 29/666,264 dated Mar. 13, 2020.
 Notice of Allowance in U.S. Appl. No. 29/666,264 dated Jul. 10, 2020.
 Notification of Supplemental Amendments for CN Design Application No. 201830569337.3 dated Dec. 19, 2018.
 Notification to Grant Patent right for CN Design Application No. 201830569337.3 dated Apr. 3, 2019.
 Dometic Product Catalog, Portable Coolers, 2016.
 Dometic Product Catalog, Portable Coolers, 2015.
 Design U.S. Appl. No. 29/666,264, filed Oct. 11, 2018 titled "Cooler".
 Design U.S. Appl. No. 29/670,885, filed Nov. 20, 2018 titled "Cooler".
 Design U.S. Appl. No. 29/670,888, filed Nov. 20, 2018 titled "Cooler".
 Design U.S. Appl. No. 29/697,069, filed Jul. 3, 2019 titled "Cooler".
 Design U.S. Appl. No. 29/697,070, filed Jul. 3, 2019 titled "Cooler".
 Design U.S. Appl. No. 29/697,071, filed Jul. 3, 2019 titled "Cooler".
 Design U.S. Appl. No. 29/605,186, filed May 24, 2017 titled "Refrigerating Apparatus".
 Design U.S. Appl. No. 29/650,910, filed Jun. 11, 2018 titled "Zipper Pull".
 Design U.S. Appl. No. 29/650,906, filed Jun. 11, 2018 titled "Soft Bag Cooler".

* cited by examiner

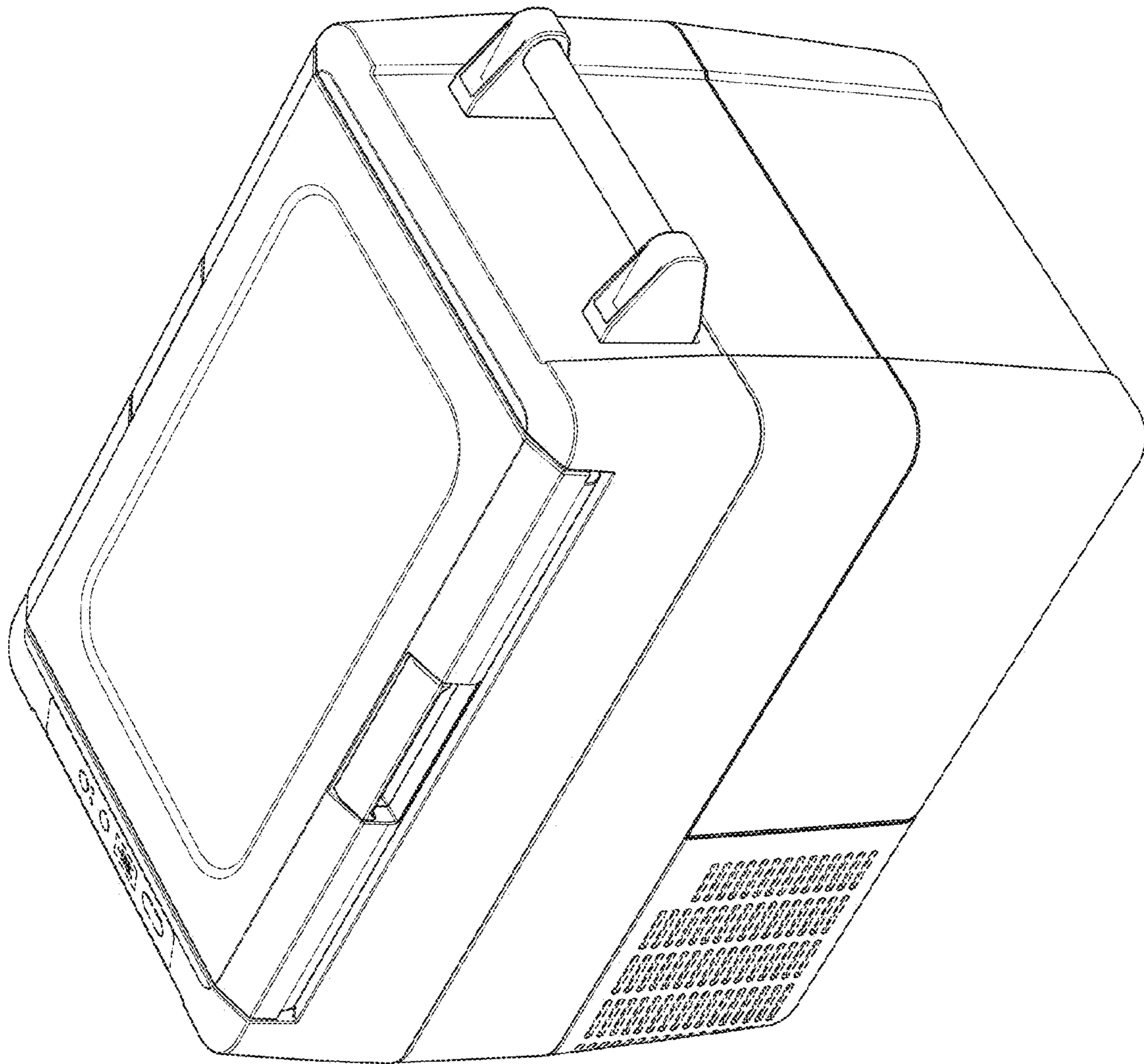


FIG. 1

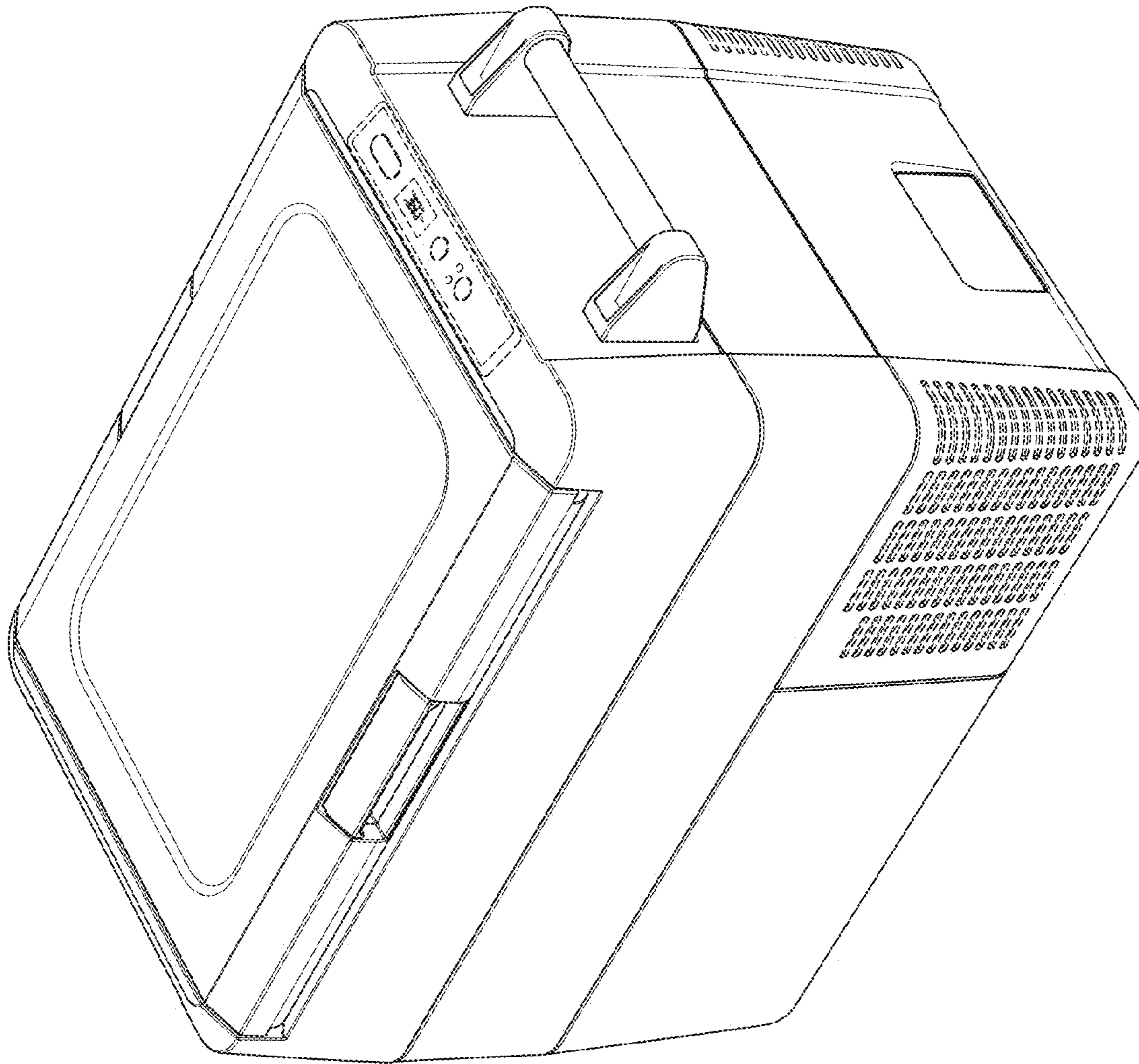


FIG. 2

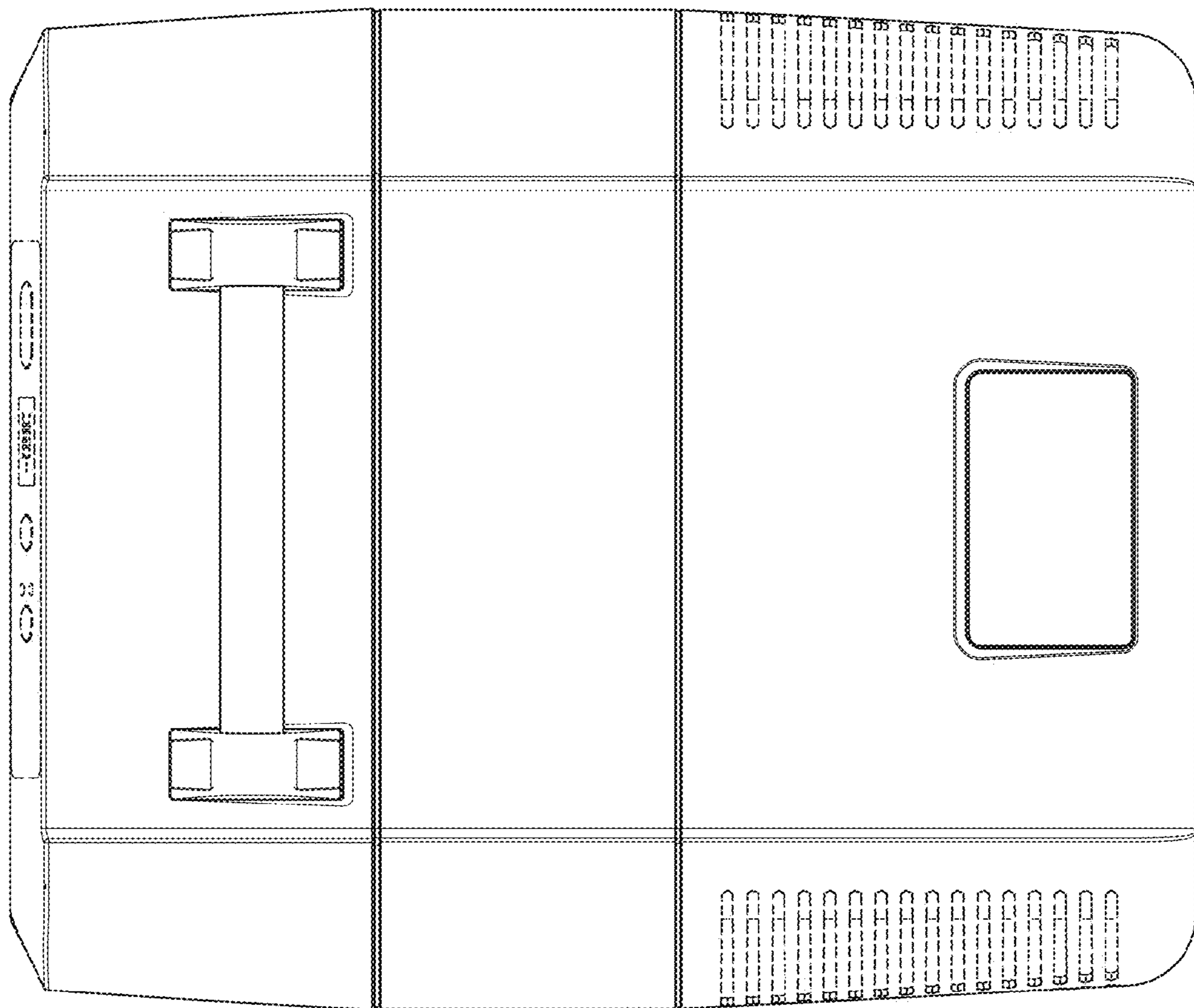


FIG. 3

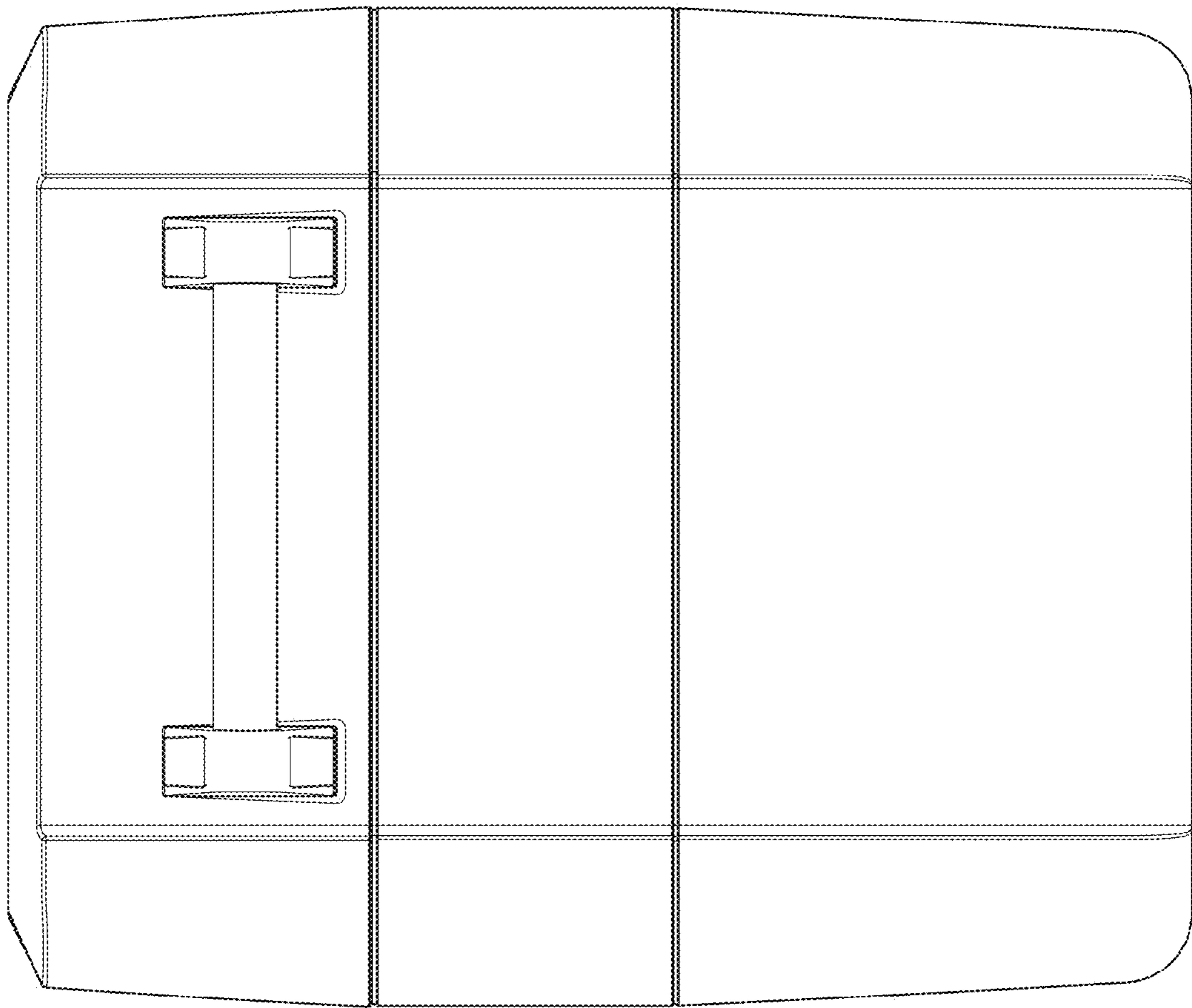


FIG. 4

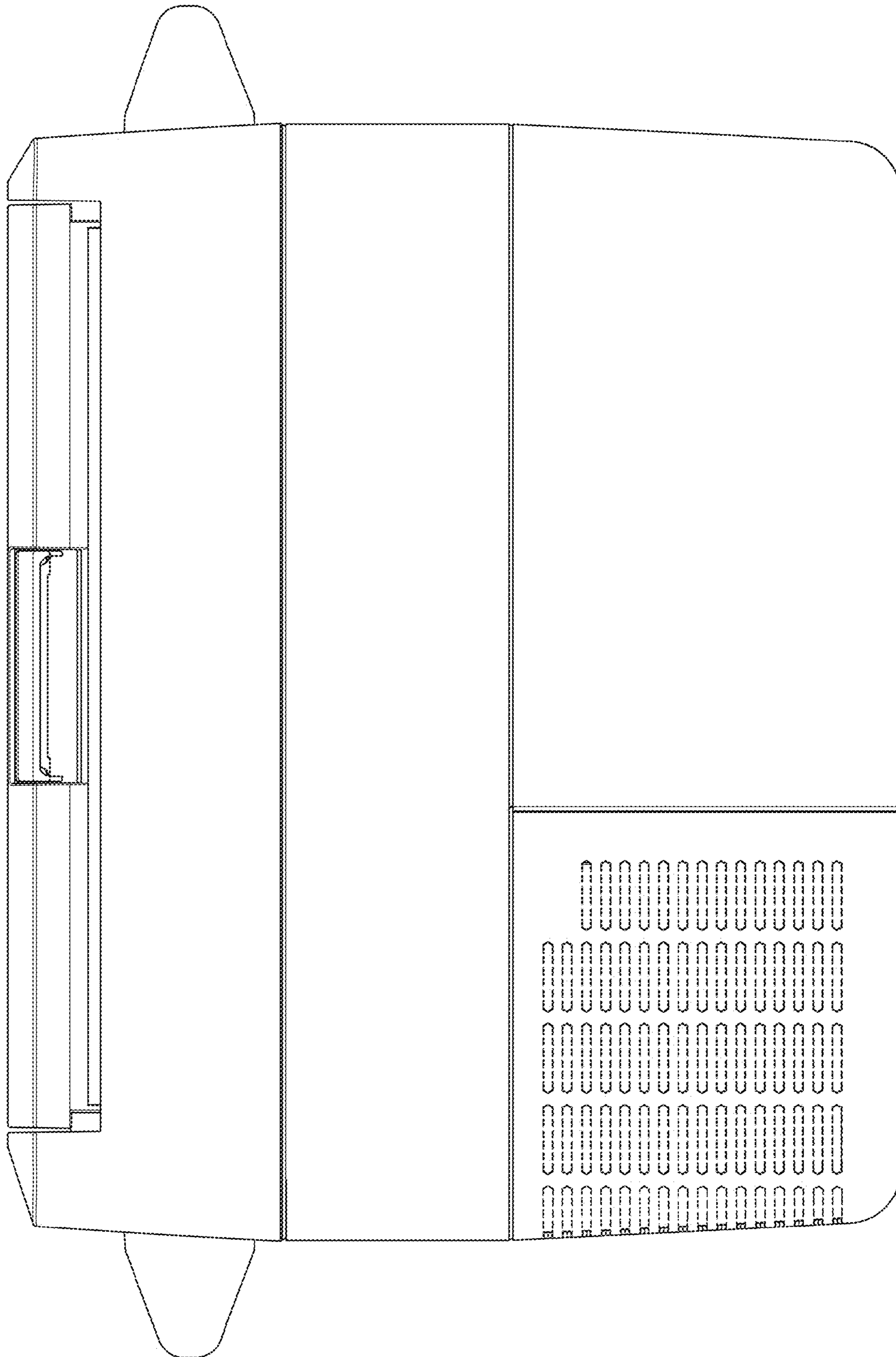


FIG. 5

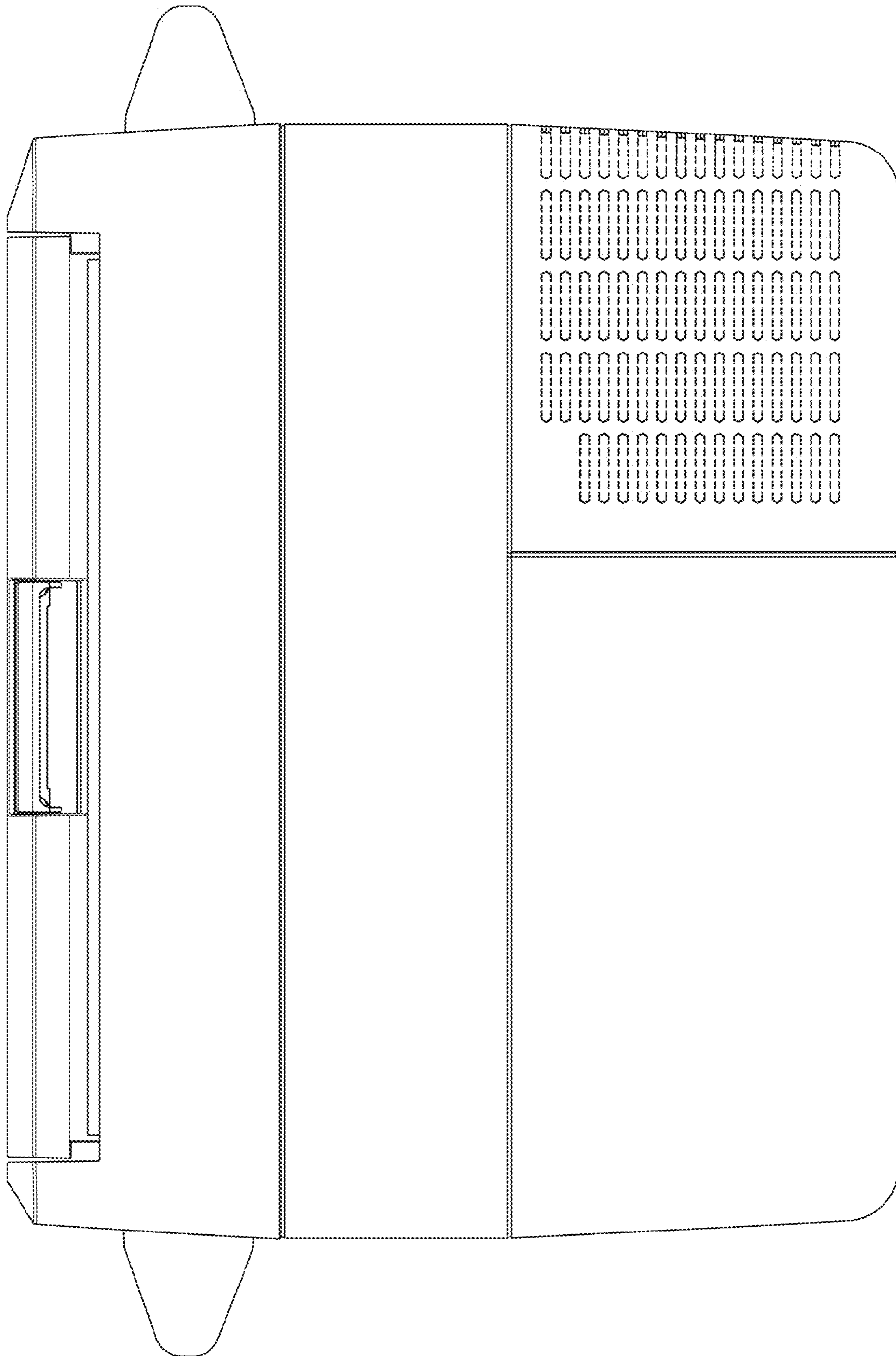


FIG. 6

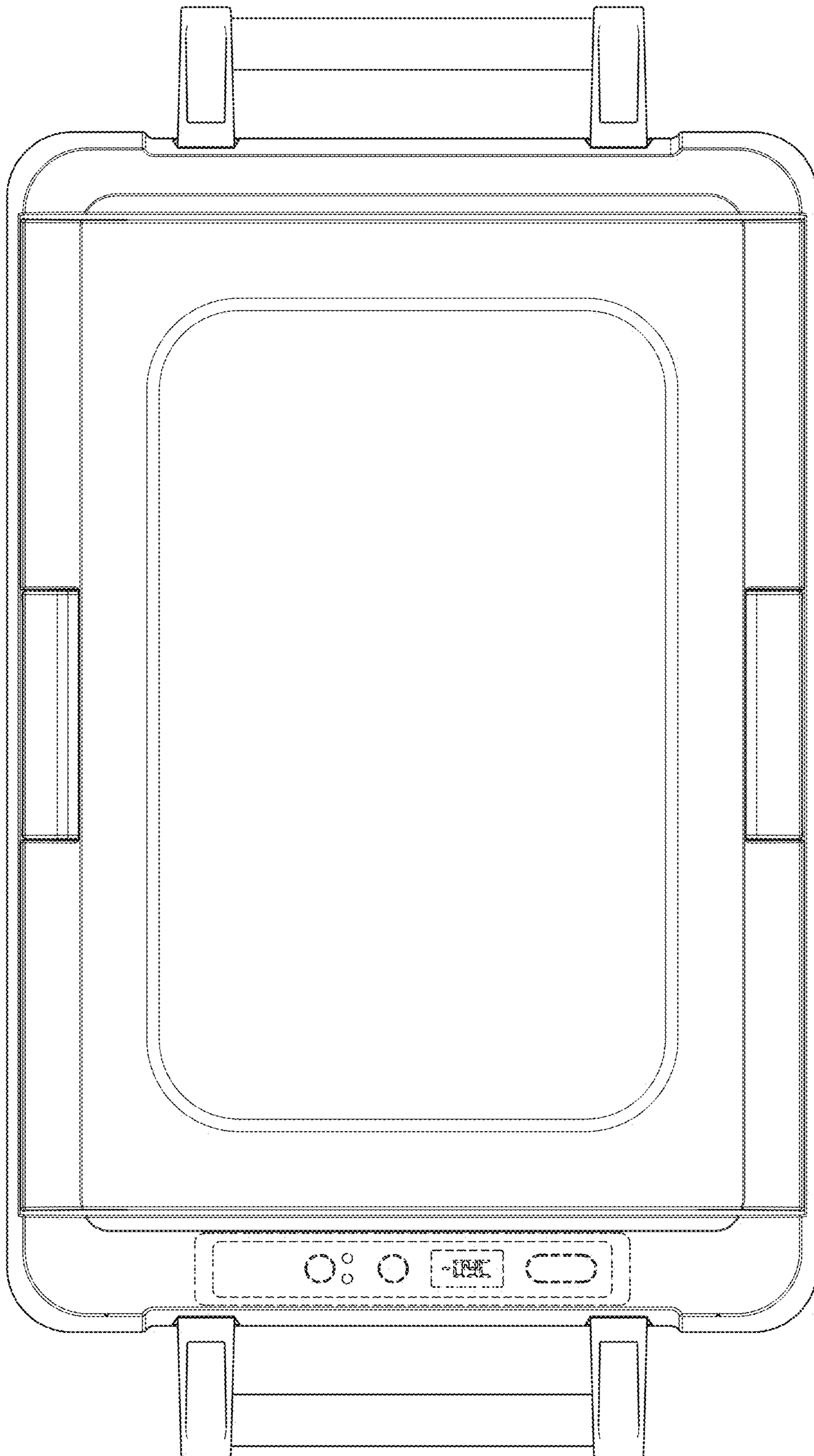


FIG. 7