



US00D921434S

(12) **United States Design Patent** (10) **Patent No.:** **US D921,434 S**  
**Chiaradia et al.** (45) **Date of Patent:** **\*\* Jun. 8, 2021**

(54) **CONTAINER WITH LID**  
(71) Applicants: **Stephanie Chiaradia**, Las Vegas, NV (US); **Alex Chiaradia**, Las Vegas, NV (US)  
(72) Inventors: **Stephanie Chiaradia**, Las Vegas, NV (US); **Alex Chiaradia**, Las Vegas, NV (US)  
(\*\*) Term: **15 Years**

D722,274 S *	2/2015	Basset	.....	D9/566
D732,889 S *	6/2015	Eyal	.....	D7/396.2
D751,863 S *	3/2016	Eyal	.....	D7/507
D774,833 S *	12/2016	Likar	.....	D7/558
D796,263 S *	9/2017	Recht	.....	D7/523
D796,264 S *	9/2017	Bo	.....	D7/523
D805,827 S *	12/2017	Toth	.....	D7/300.1
D808,727 S *	1/2018	Bo	.....	D7/532
D815,910 S *	4/2018	Bo	.....	D7/523
D833,825 S *	11/2018	Sanchez Garcia	.....	D7/523
D853,793 S *	7/2019	Bo	.....	D7/532
D881,648 S *	4/2020	Xue	.....	D7/510

\* cited by examiner

(21) Appl. No.: **29/722,293**  
(22) Filed: **Jan. 28, 2020**

*Primary Examiner* — Susan E Krakower  
*Assistant Examiner* — Andrew Kerr  
(74) *Attorney, Agent, or Firm* — The Thornton Firm, LLC

**Related U.S. Application Data**

(63) Continuation-in-part of application No. 29/649,336, filed on May 29, 2018, now abandoned.  
(51) **LOC (13) Cl.** ..... **07-01**  
(52) **U.S. Cl.**  
USPC ..... **D7/511; D7/523**  
(58) **Field of Classification Search**  
USPC ..... D7/300, 300.1, 510, 511, 523, 589, 591;  
D9/447, 516, 553, 566  
CPC . B65D 1/22; B65D 1/18; B65D 43/02; B65D  
51/18; B65D 41/56; A47J 43/27; A47G  
19/22  
See application file for complete search history.

(57) **CLAIM**

The ornamental design for a container with lid, substantially as shown and described.

**DESCRIPTION**

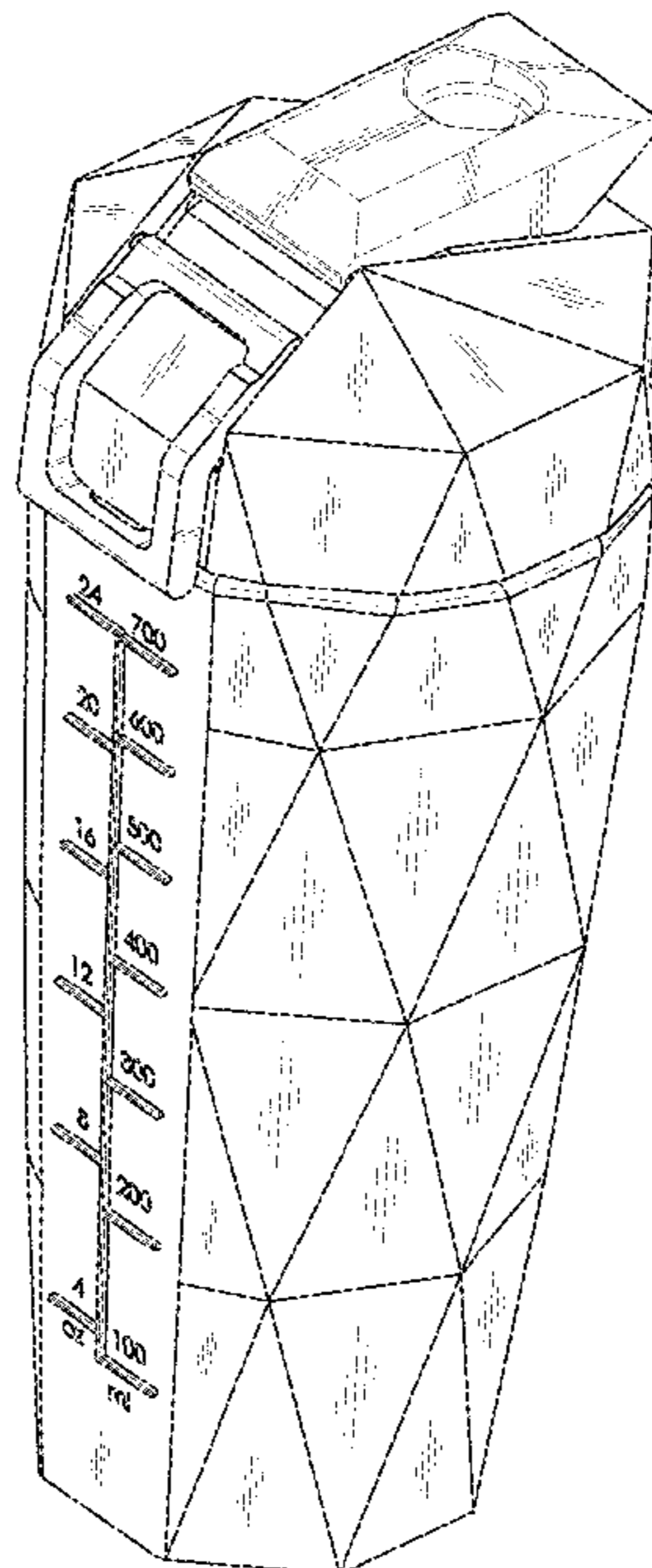
FIG. 1 is a perspective view of the of a container with lid, showing our new design;  
FIG. 2 is a front side elevational view thereof;  
FIG. 3 is a rear side elevational view thereof;  
FIG. 4 is a left side elevational view thereof;  
FIG. 5 is a right side elevational view thereof;  
FIG. 6 is a top plan view thereof; and,  
FIG. 7 is a bottom plan view thereof.  
The broken lines in the drawings depict portions of the container with lid that form no part of the claimed design. In a preferred embodiment, the nature of this product is a container with lid, which is primarily useful as a container for water and sports beverages.

(56) **References Cited**

**U.S. PATENT DOCUMENTS**

D603,712 S *	11/2009	James	.....	D9/538
D603,713 S *	11/2009	James	.....	D9/538
D603,714 S *	11/2009	James	.....	D9/538
D605,950 S *	12/2009	James	.....	D9/538
D644,113 S *	8/2011	Williams	.....	D9/550

**1 Claim, 7 Drawing Sheets**



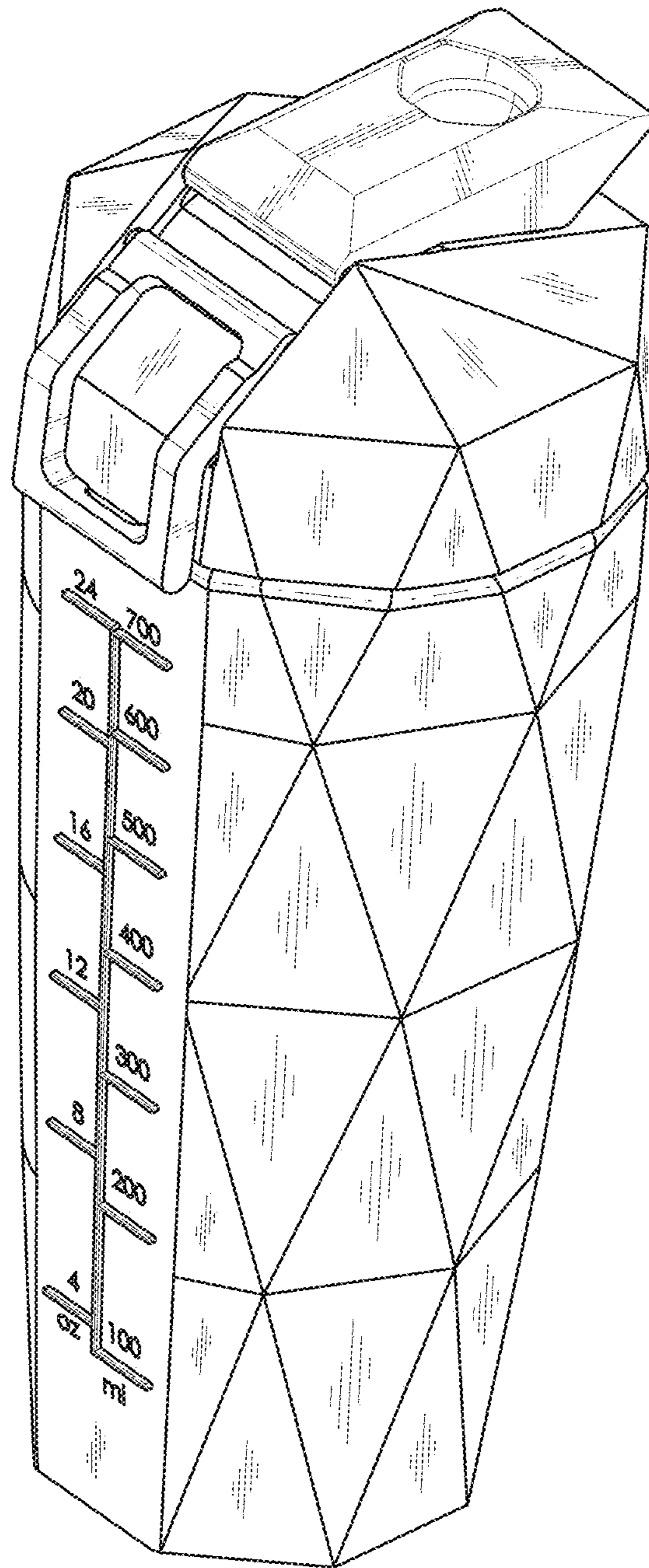


FIG. 1

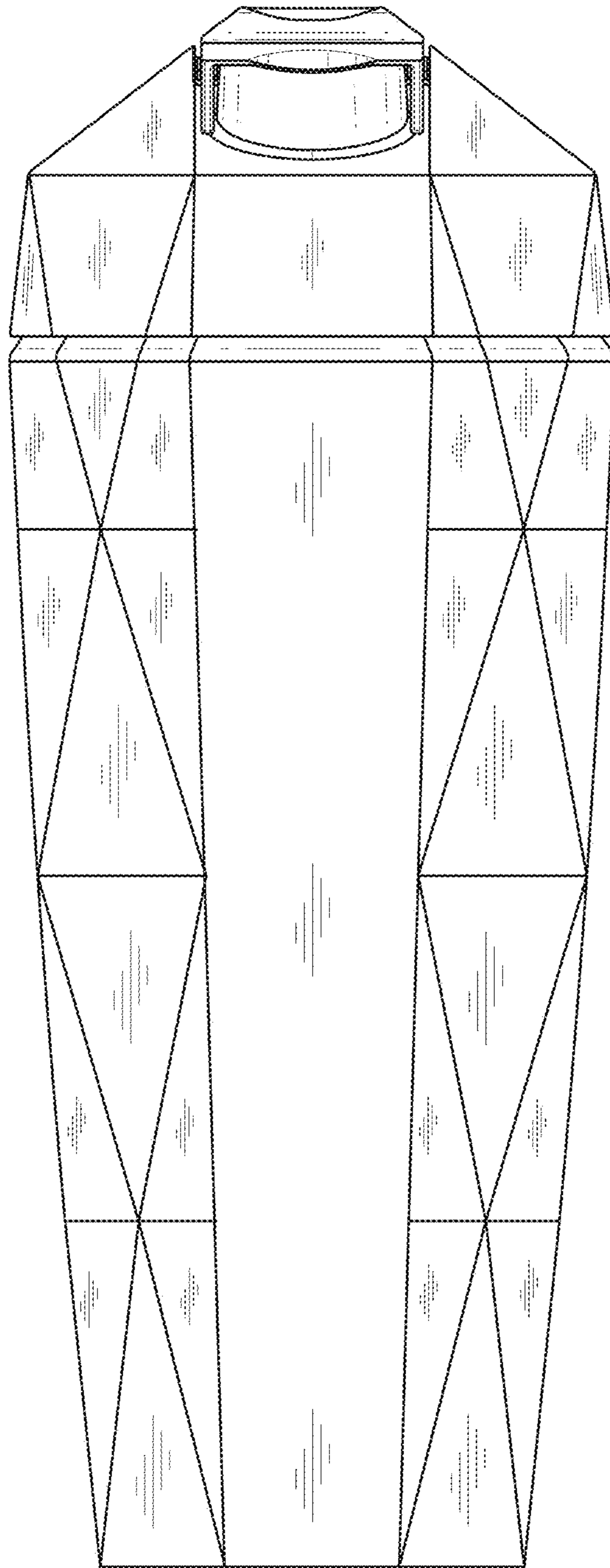


FIG. 2

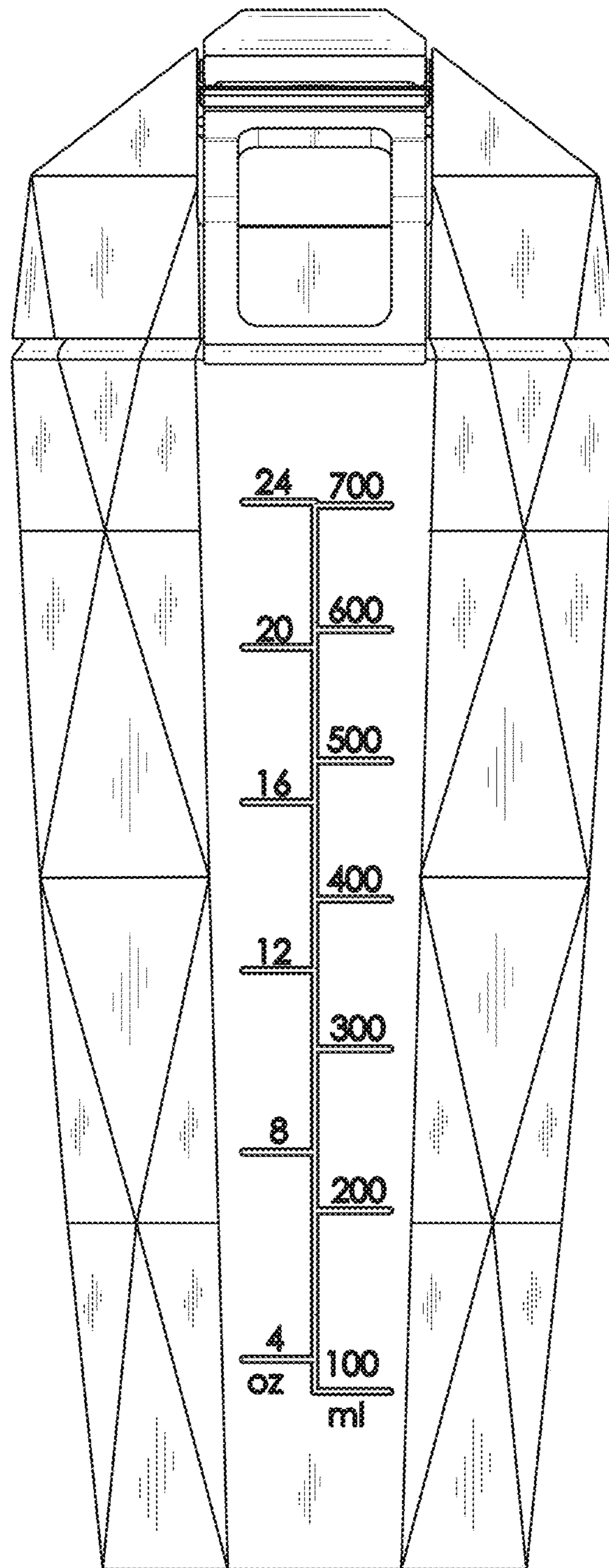


FIG. 3

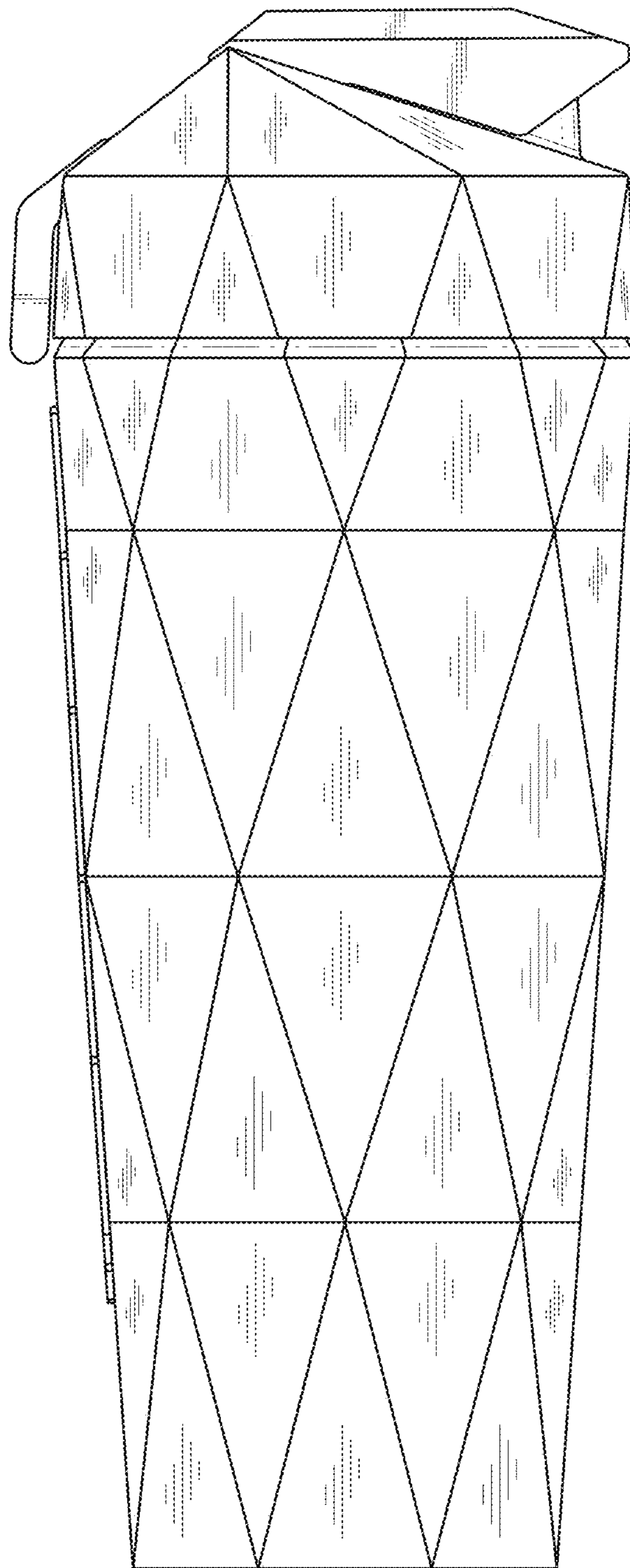


FIG. 4

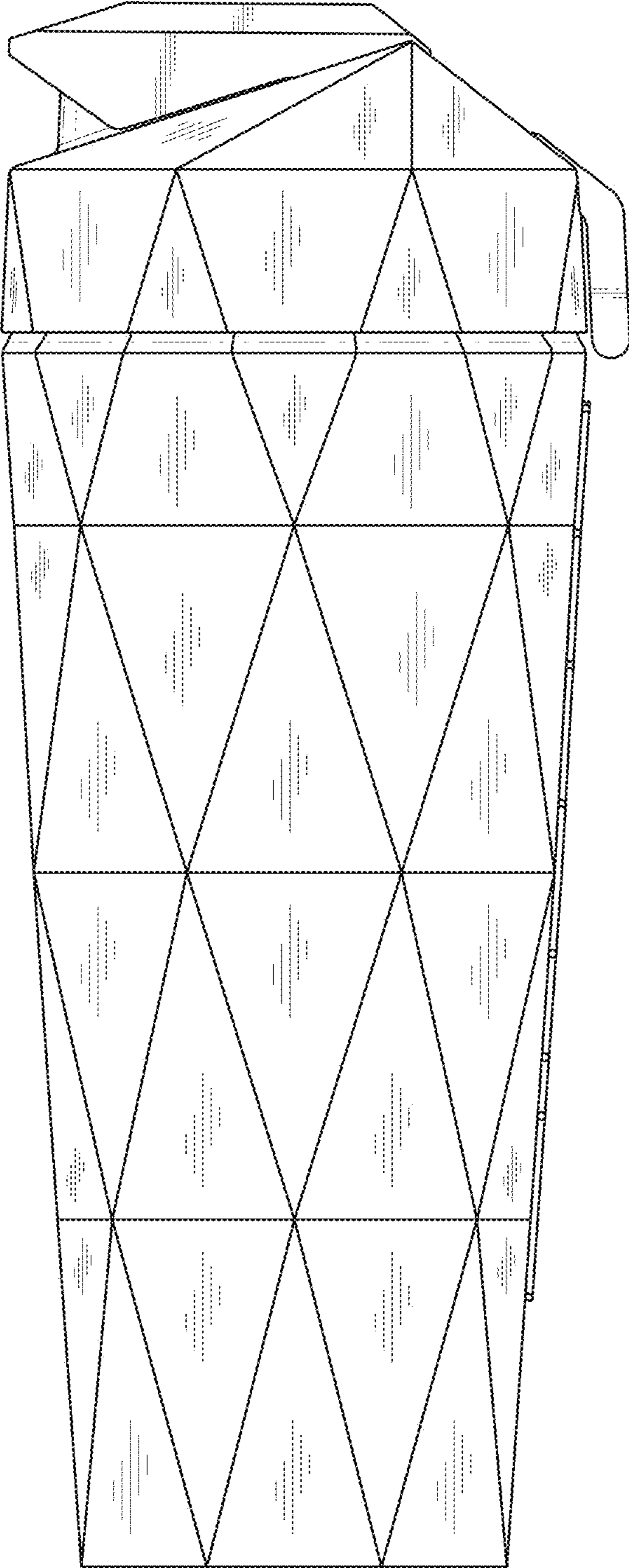
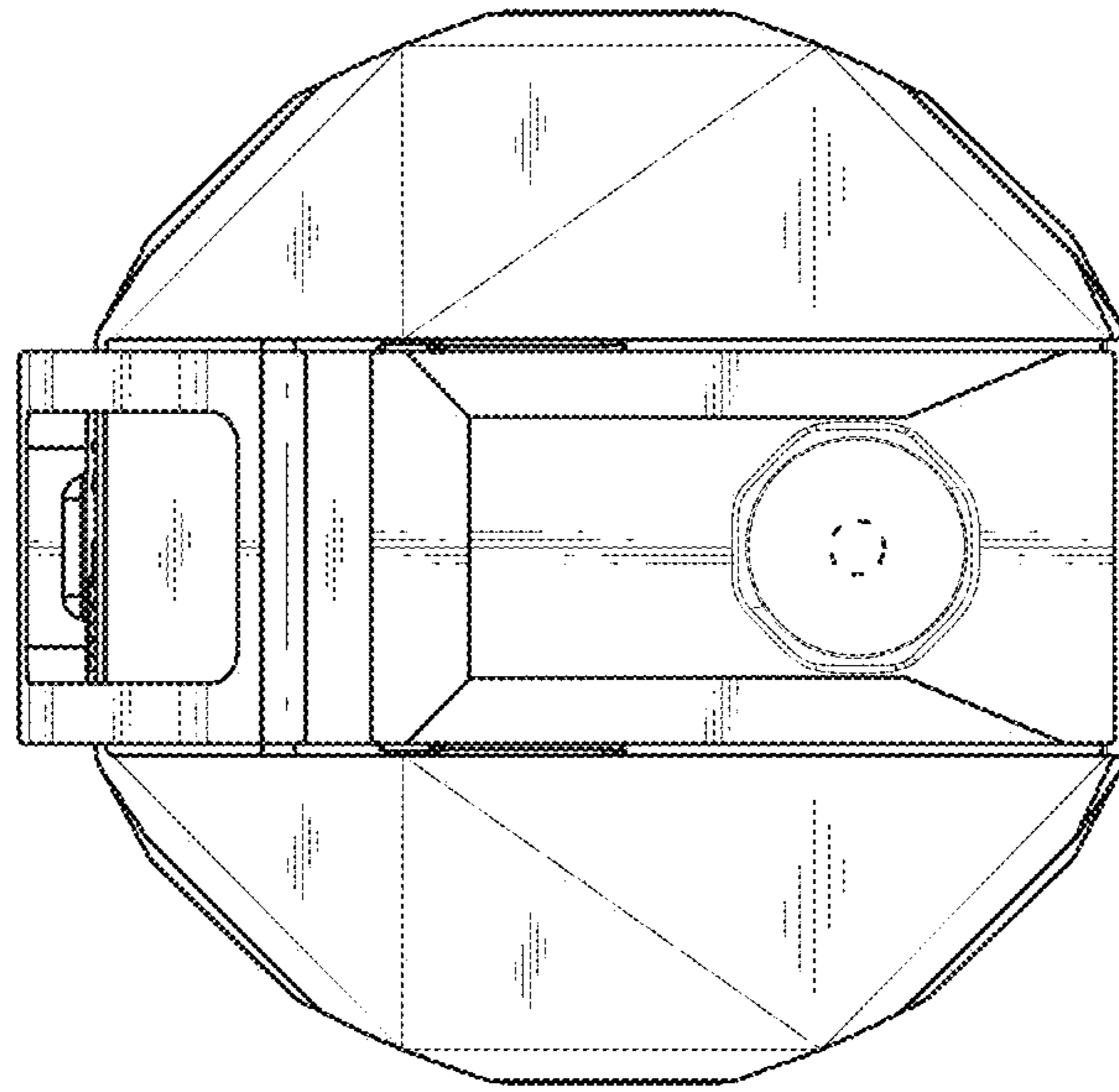
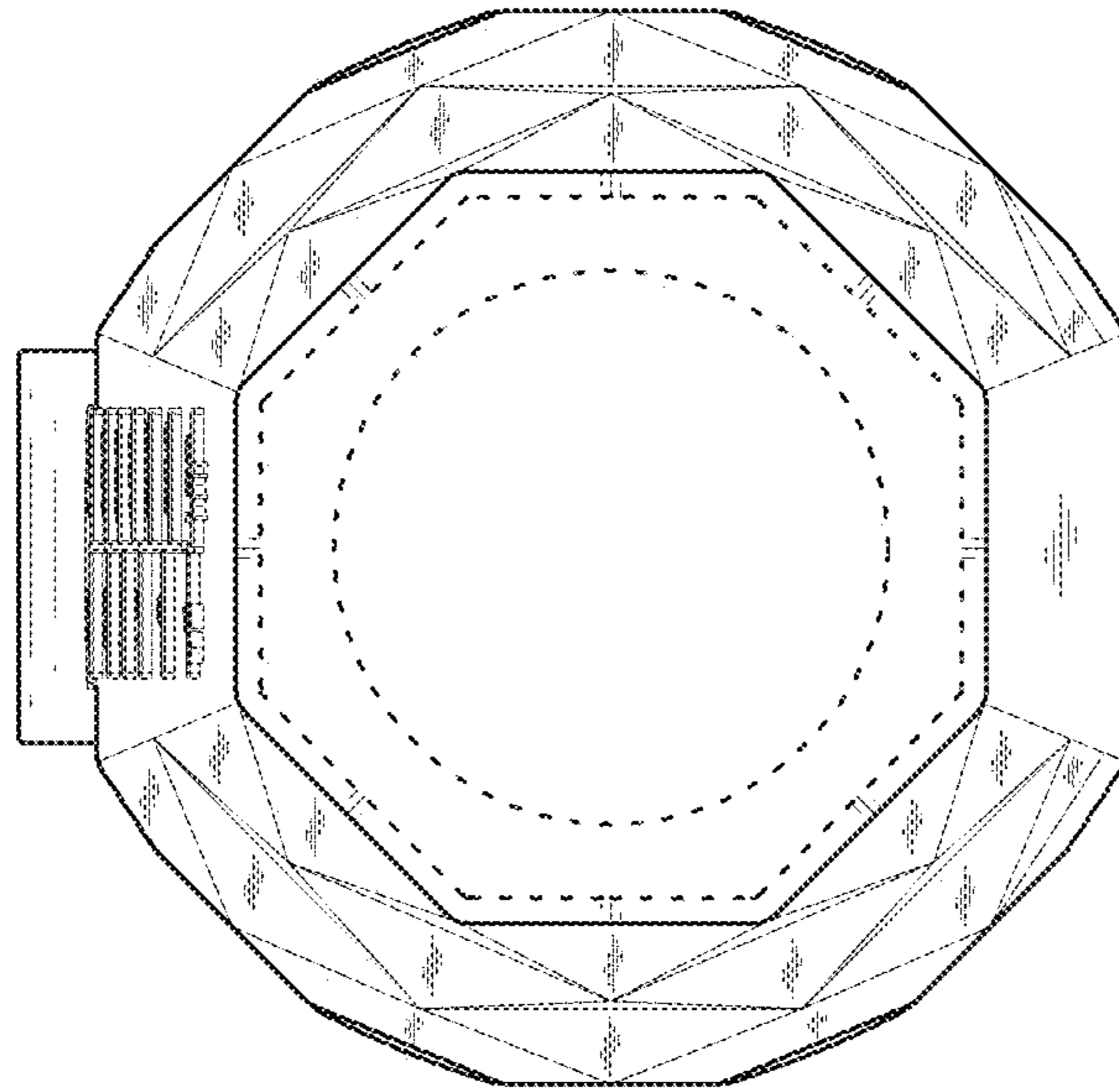


FIG. 5



**FIG. 6**



**FIG. 7**