



US00D921433S

(12) **United States Design Patent**
Gronkowski

(10) **Patent No.:** **US D921,433 S**

(45) **Date of Patent:** **** Jun. 8, 2021**

(54) **CUP WITH LID AND BASE**

(71) Applicant: **Brittany Gronkowski**, Colleyville, TX
(US)

(72) Inventor: **Brittany Gronkowski**, Colleyville, TX
(US)

(**) Term: **15 Years**

(21) Appl. No.: **29/697,801**

(22) Filed: **Jul. 11, 2019**

(51) **LOC (13) Cl.** **07-01**

(52) **U.S. Cl.**
USPC **D7/510; D7/511**

(58) **Field of Classification Search**
USPC D7/507, 509, 510, 511, 529, 531, 532,
D7/523, 533, 534, 535, 536, 392.1, 296.1,
D7/396.2, 300.1, 608; D3/202; D26/9
CPC A47G 19/22; A47G 19/2288; A47G
19/2205; A47J 41/0077; A47J 41/0088
See application file for complete search history.

(56) **References Cited**

U.S. PATENT DOCUMENTS

D589,751 S * 4/2009 Liu D7/510
D654,762 S * 2/2012 Gilbert D7/510

D728,311 S * 5/2015 Eyal D7/510
D820,044 S * 6/2018 Jenkins D7/510
D823,068 S * 7/2018 Seiders D7/608
D825,993 S * 8/2018 Sadhwani D7/510

* cited by examiner

Primary Examiner — Jae Liang

(74) *Attorney, Agent, or Firm* — Wenderoth, Lind &
Ponack, L.L.P.

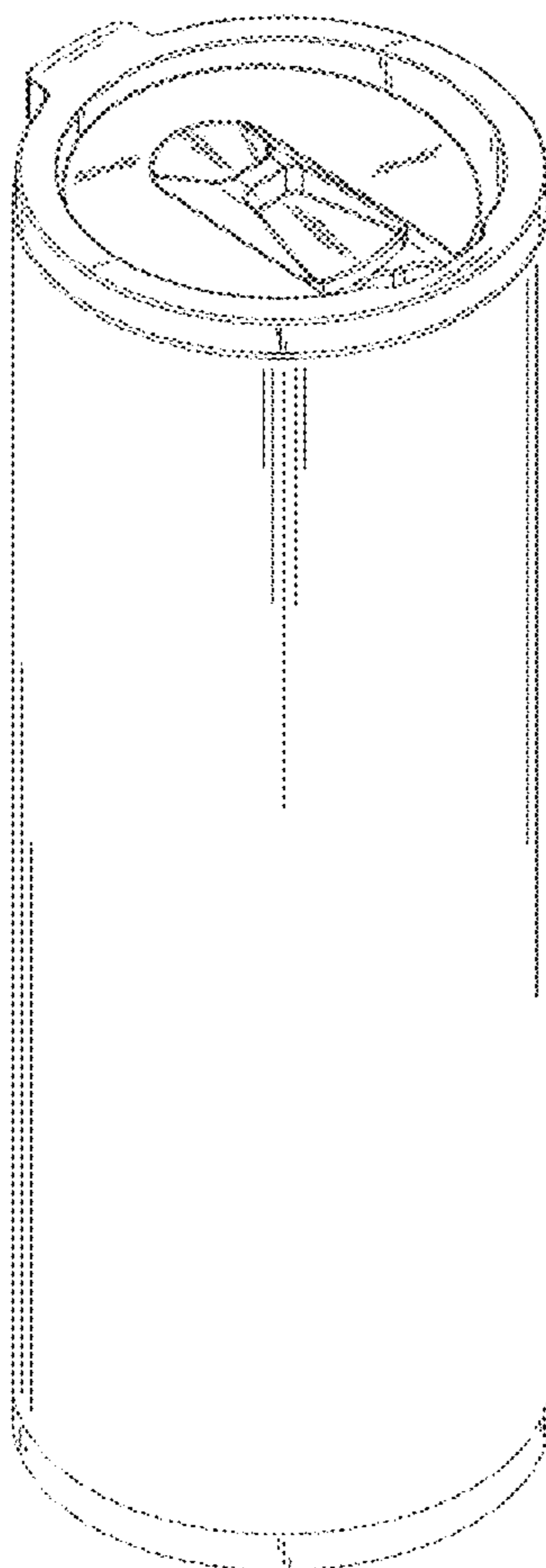
(57) **CLAIM**

The ornamental design design for a cup with lid and base, as shown and described.

DESCRIPTION

FIG. 1 is a perspective view of a cup with lid and base, embodying the new design;
FIG. 2 is a first side view thereof;
FIG. 3 is a second side view thereof;
FIG. 4 is a third side view thereof;
FIG. 5 is a fourth side view thereof;
FIG. 6 is a top view thereof;
FIG. 7 is a bottom view thereof; and,
FIG. 8 is a perspective, exploded view thereof.

1 Claim, 7 Drawing Sheets



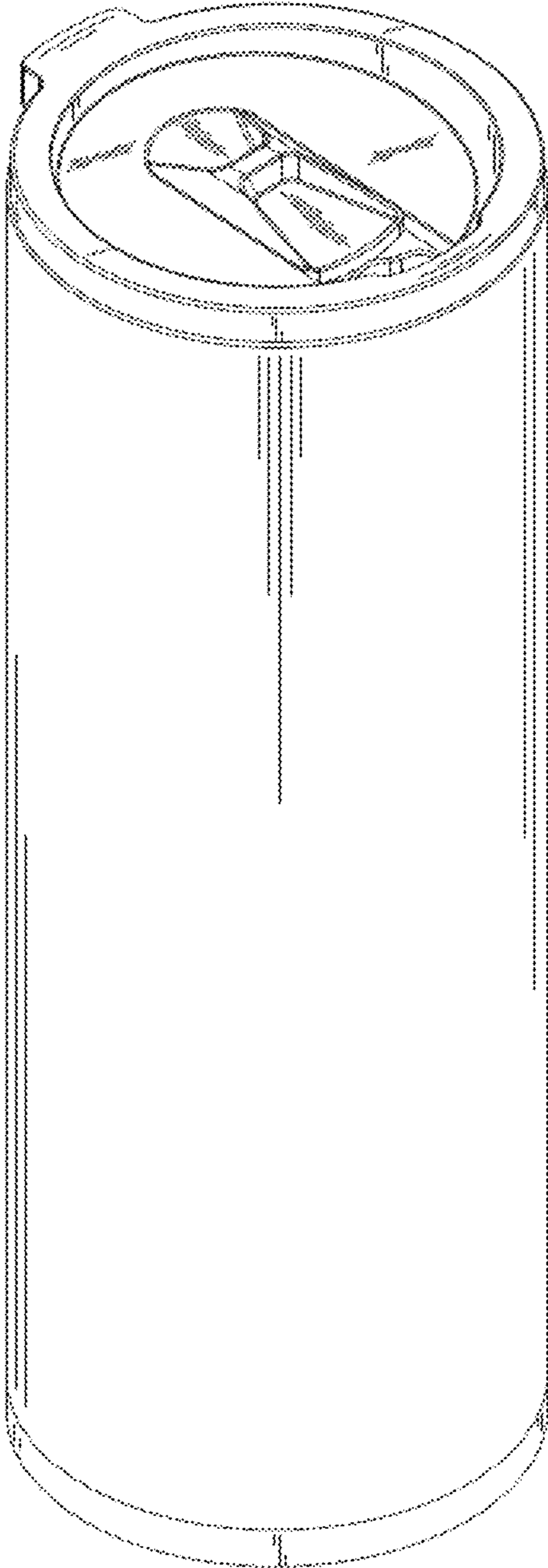


FIG. 1

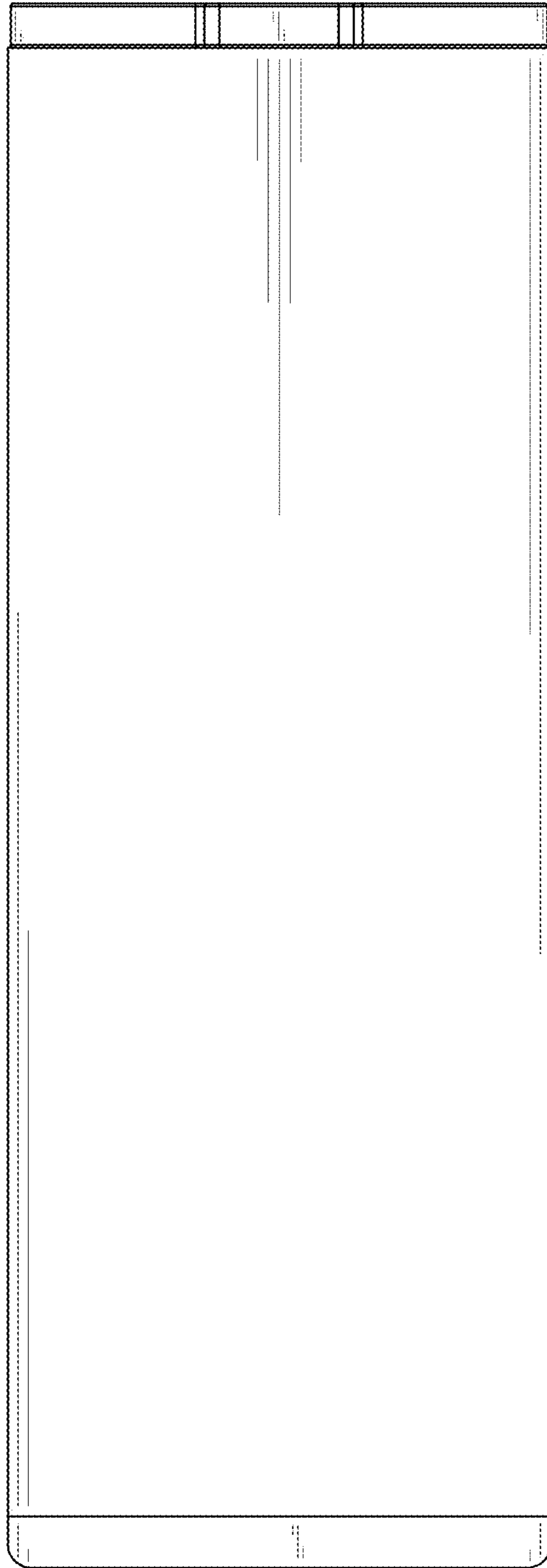


FIG. 2

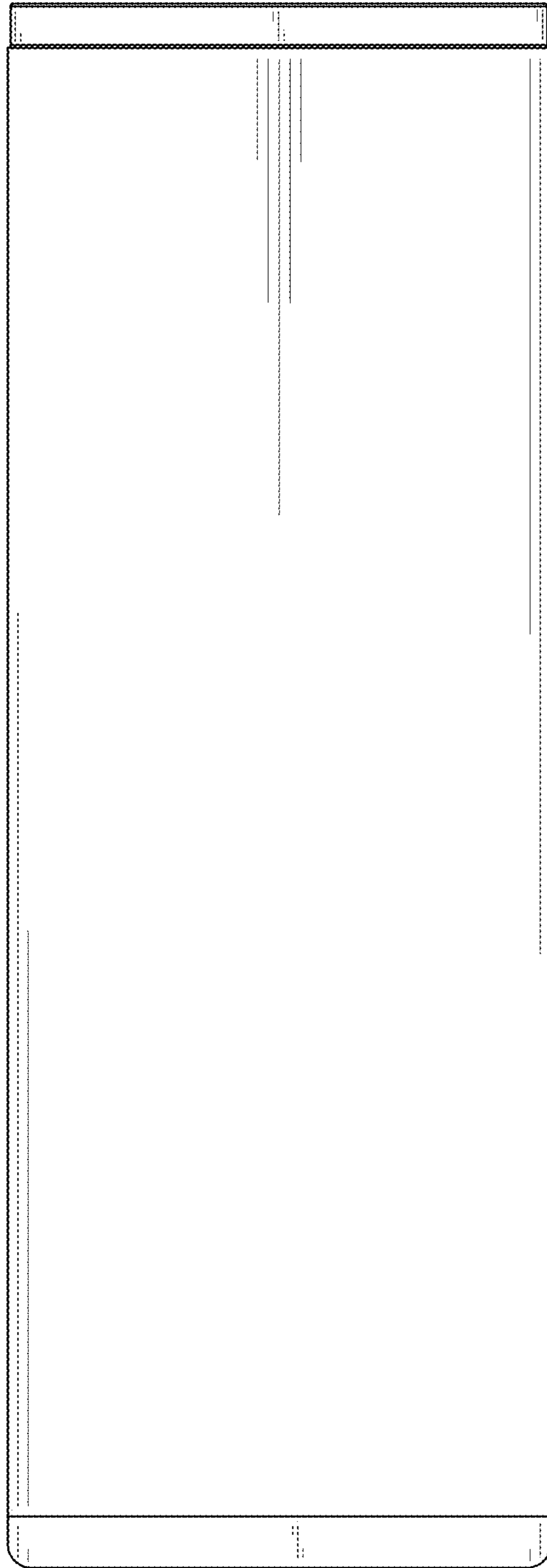


FIG. 3

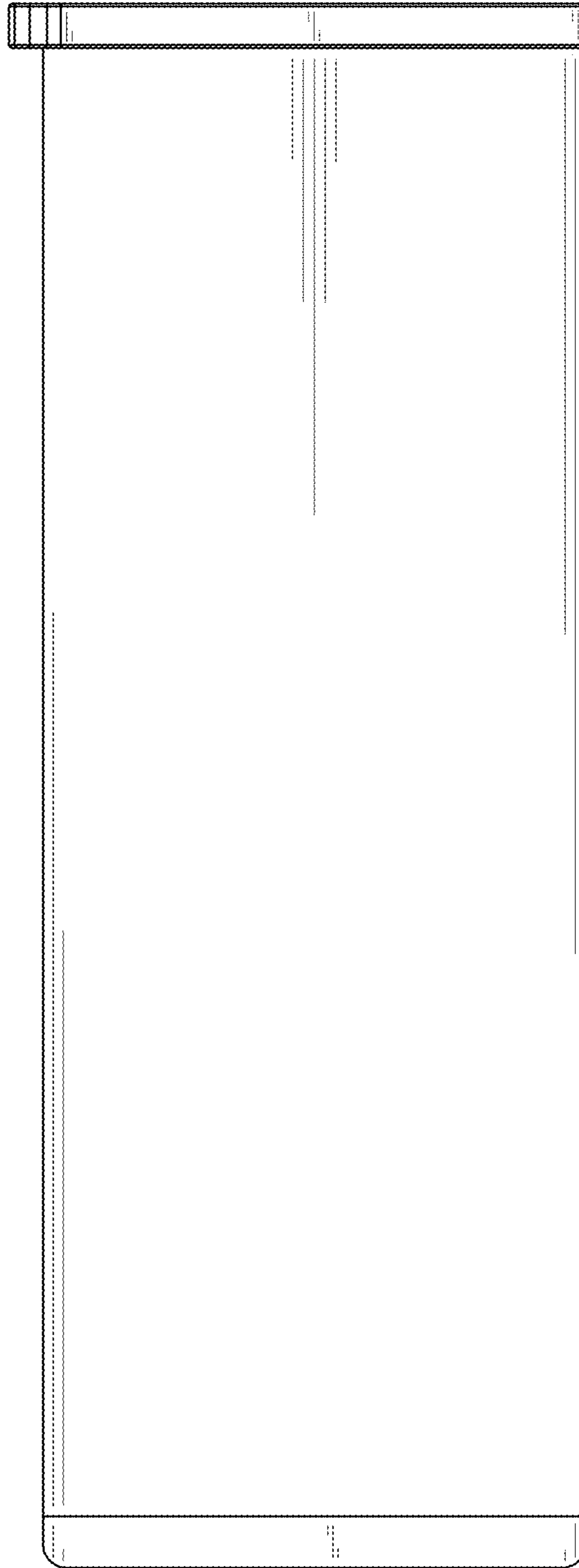


FIG. 4

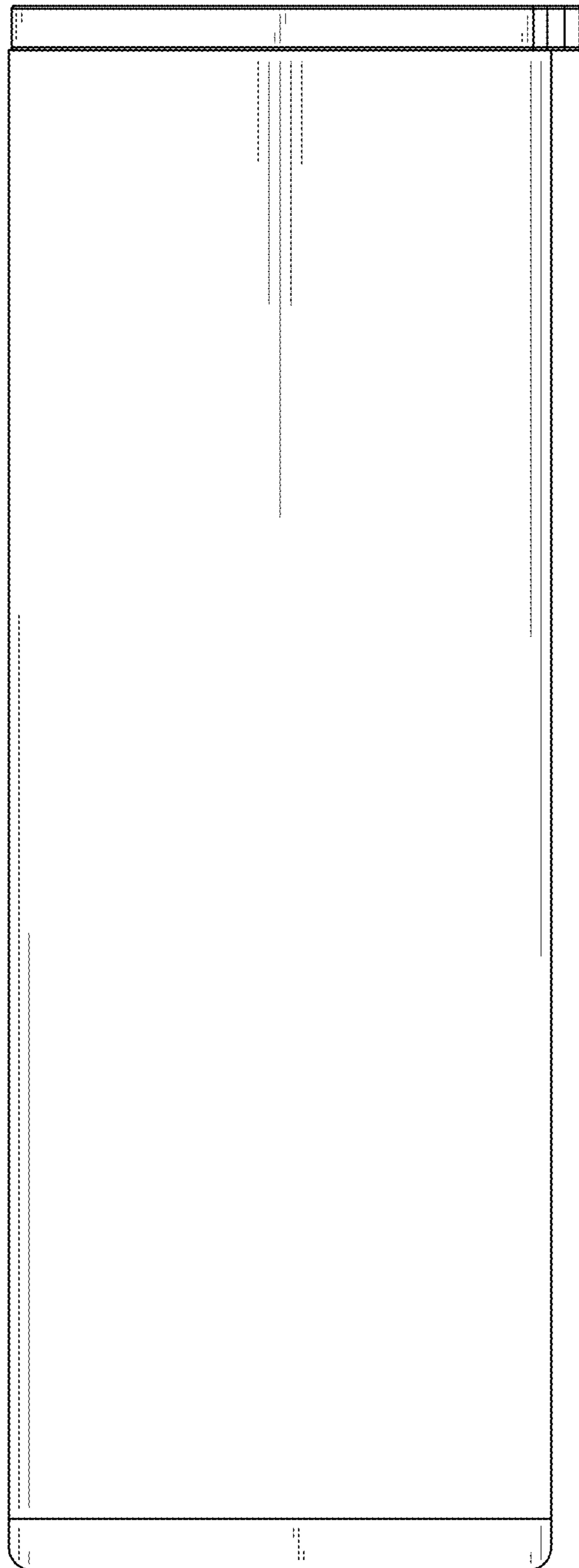


FIG. 5

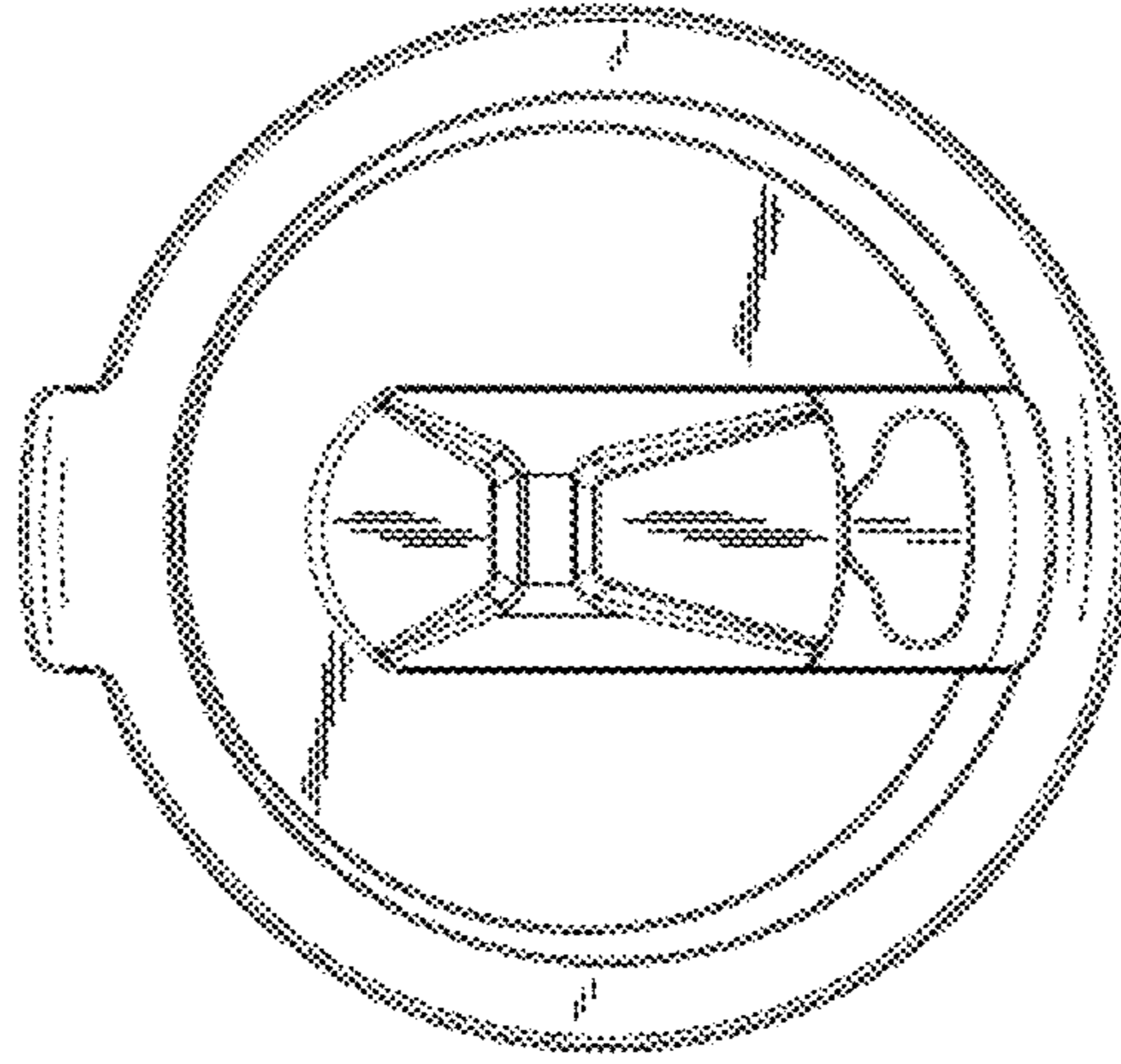


FIG. 6

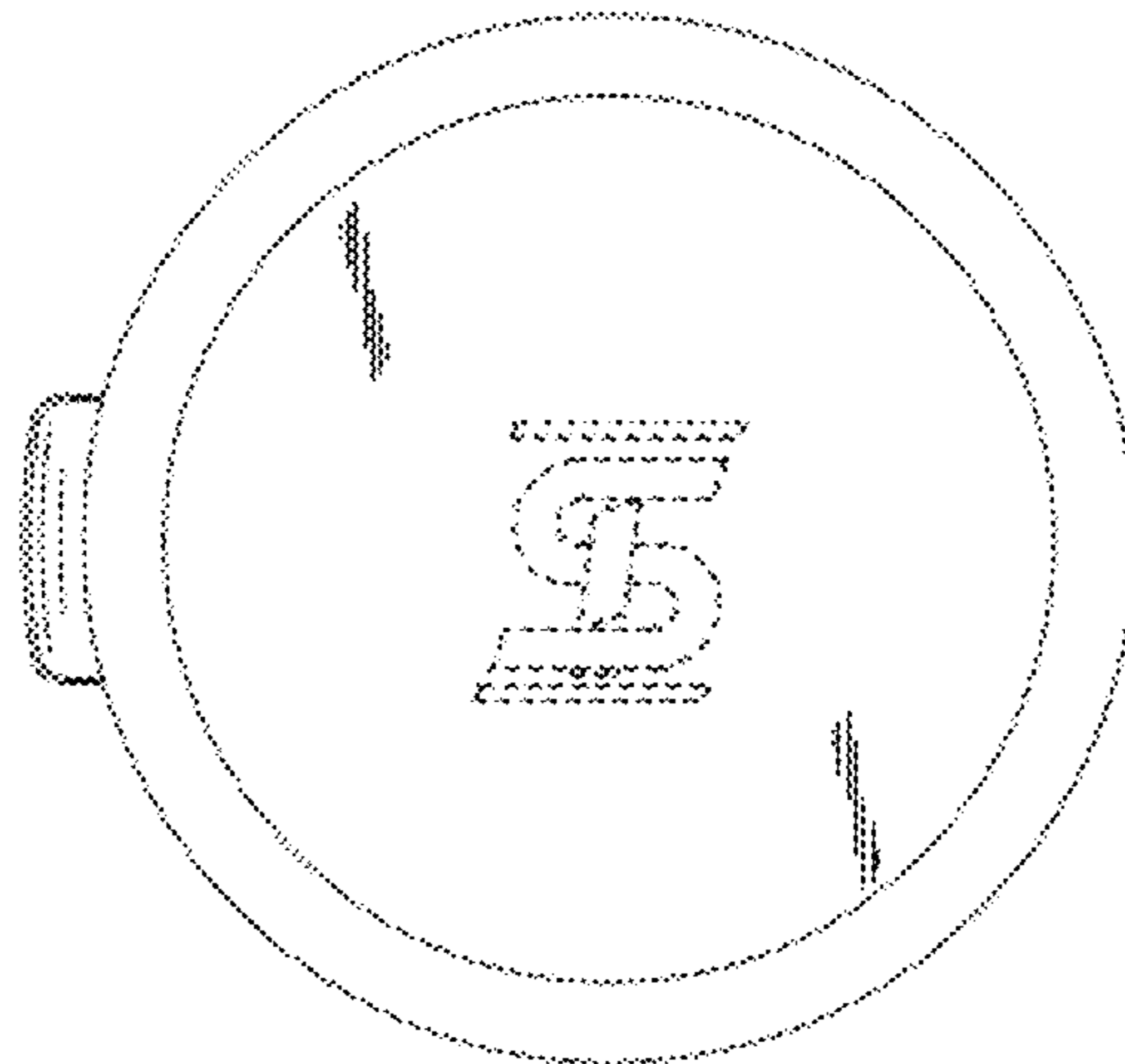


FIG. 7

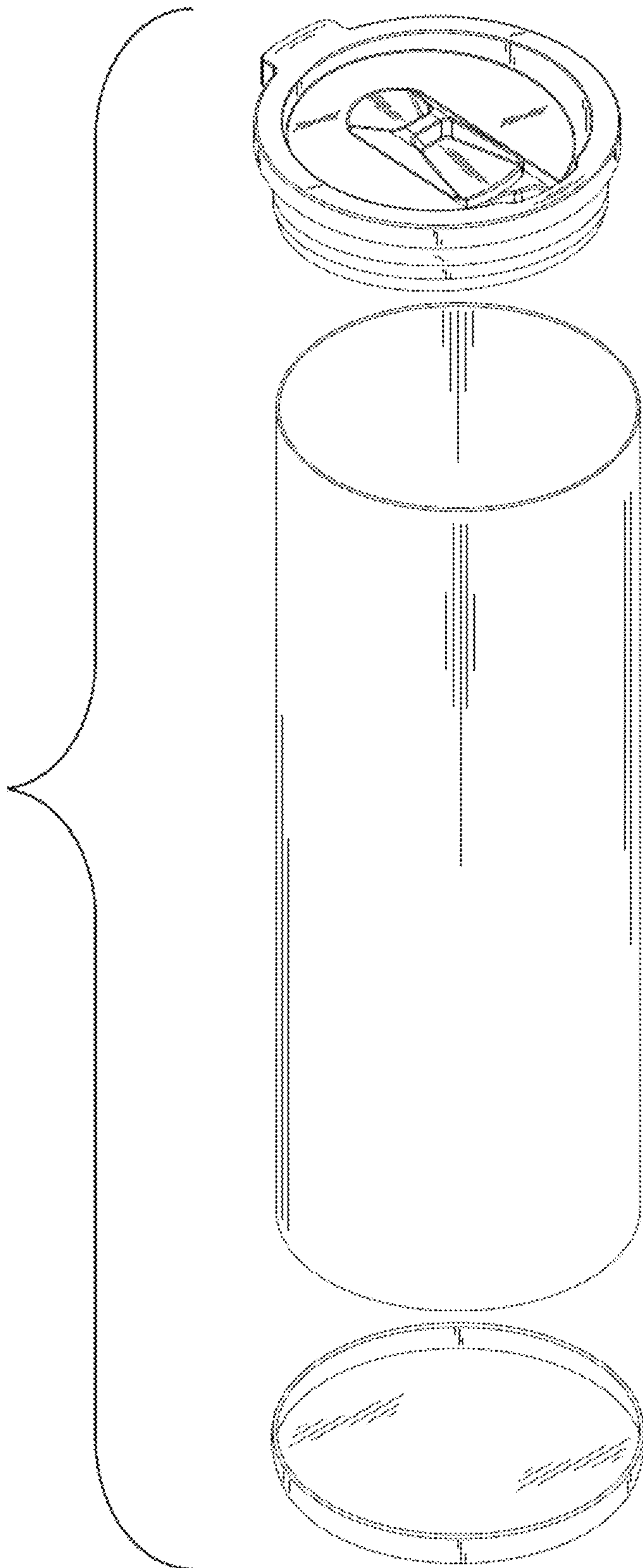


FIG. 8