



US00D921432S

(12) **United States Design Patent** (10) **Patent No.:** **US D921,432 S**  
**Kwon** (45) **Date of Patent:** **\*\* Jun. 8, 2021**

(54) **GRILLING TOOL REST**  
(71) Applicant: **Helen of Troy Limited**, St. Michael (BB)  
(72) Inventor: **James Kwon**, Long Island City, NY (US)  
(73) Assignee: **Helen of Troy Limited**, St. Michael (BB)  
(\*\*) Term: **15 Years**

D463,202 S \* 9/2002 Smith ..... D7/359  
D504,587 S \* 5/2005 Root ..... D6/534  
D543,749 S \* 6/2007 Emmons ..... D6/534  
D634,089 S \* 3/2011 Wisniewski ..... D32/55  
D740,084 S \* 10/2015 Schmitt ..... D7/698  
D761,614 S \* 7/2016 Zemel ..... D7/360  
D820,042 S \* 6/2018 Hollinger ..... D7/409  
D886,549 S \* 6/2020 Kim ..... D7/637  
D891,018 S \* 7/2020 Evans ..... D32/55  
D904,832 S \* 12/2020 Medeiros Santos ..... D7/637  
2002/0158031 A1 \* 10/2002 Powers ..... A47J 47/16  
211/41.11

(21) Appl. No.: **29/727,306**  
(22) Filed: **Mar. 10, 2020**  
(51) **LOC (13) Cl.** ..... **07-02**  
(52) **U.S. Cl.**  
USPC ..... **D7/409**  
(58) **Field of Classification Search**  
USPC ..... D6/534; D7/323, 332, 335-337,  
D7/354-355, 359-364, 387-388, 402,  
D7/407-409, 637, 698; D32/55  
CPC .... A21B 1/52; A21B 2/00; A21B 3/00; A21B  
3/13; A21B 3/15; A21B 5/00; A21B 5/02;  
A23N 12/06; A23N 12/08; A23N 12/10;  
A47J 37/00; A47J 37/04; A47J 37/041;  
A47J 37/042; A47J 37/06; A47J 37/0688;  
A47J 37/0694; A47J 37/07; A47J  
37/0704; A47J 37/10; A47J 37/067; A47J  
47/16; A47J 47/20; A47J 2037/00; A47J  
2037/06; A47J 2037/0611; A47J 2037/07;  
A47J 2037/0786; A47J 2037/0795; B65D  
5/504; F24C 15/10; F24C 15/12; F24C  
15/14; F24C 15/16; F24C 15/18; F24C  
15/107; F24C 15/164  
See application file for complete search history.

(56) **References Cited**  
U.S. PATENT DOCUMENTS  
2,807,361 A \* 9/1957 Junkin ..... B65D 5/504  
206/553  
D291,268 S \* 8/1987 Stephenson ..... A46B 17/04  
D6/534

**OTHER PUBLICATIONS**

Sinclair Utensil Rest with Drip Pad for Multiple Utensils. Date First Available on Amazon.com Feb. 25, 2020 <https://www.amazon.com/Multiple-Utensils-Heat-Resistant-Anti-Slip-BPA-Free/dp/B0855B57F9/ref> (Year: 2020).\*

\* cited by examiner

*Primary Examiner* — Ricky Pham  
(74) *Attorney, Agent, or Firm* — Rankin, Hill & Clark LLP

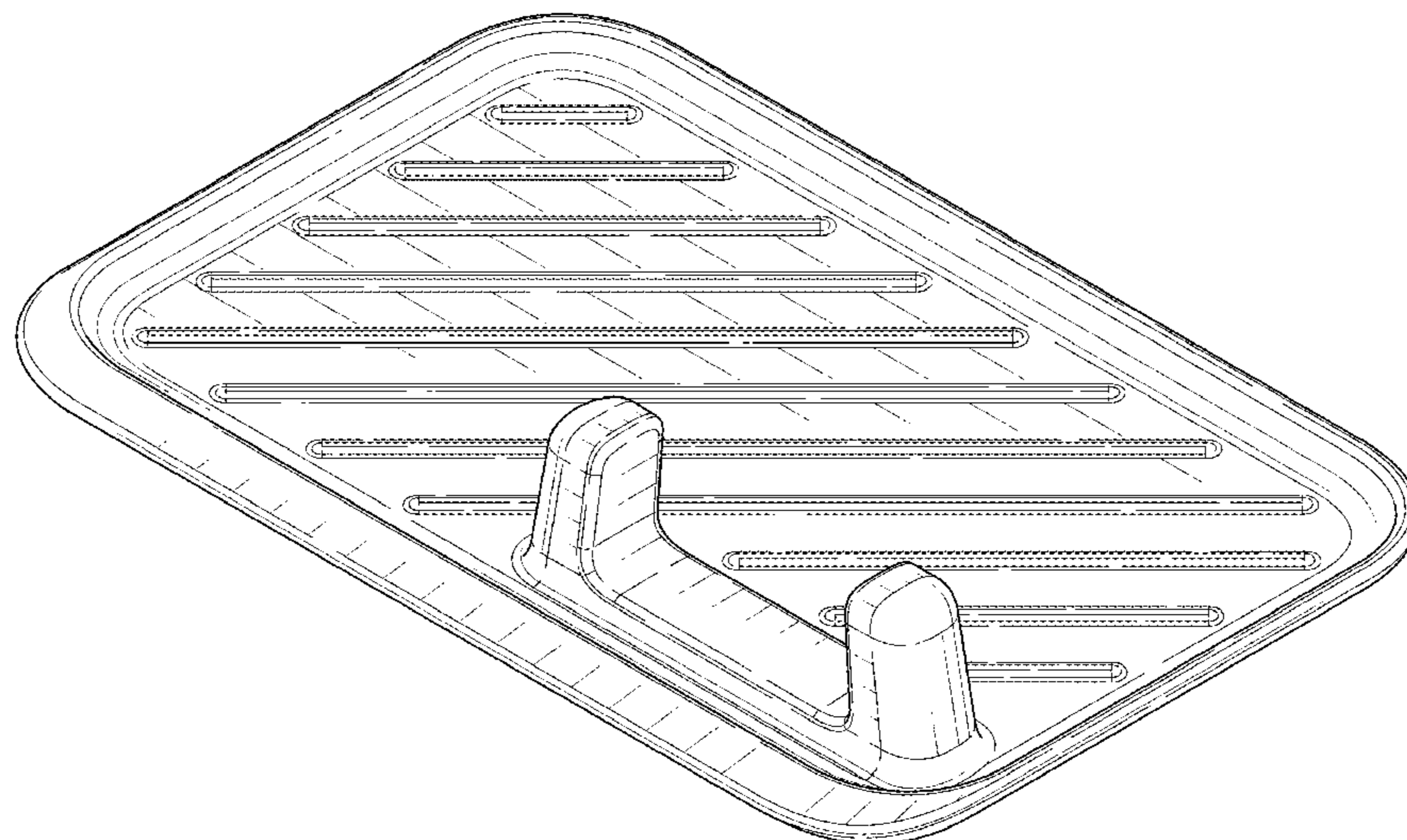
(57) **CLAIM**

The ornamental design for a grilling tool rest, as shown and described.

**DESCRIPTION**

FIG. 1 is a perspective view of a new, original and ornamental design for a grilling tool rest; FIG. 2 is a front elevation view of FIG. 1; FIG. 3 is a rear elevation view of FIG. 1; FIG. 4 is a left side elevation view of FIG. 1; FIG. 5 is a right side elevation view of FIG. 1; FIG. 6 is a top plan view of FIG. 1; and, FIG. 7 is a bottom plan view of FIG. 1.

**1 Claim, 4 Drawing Sheets**



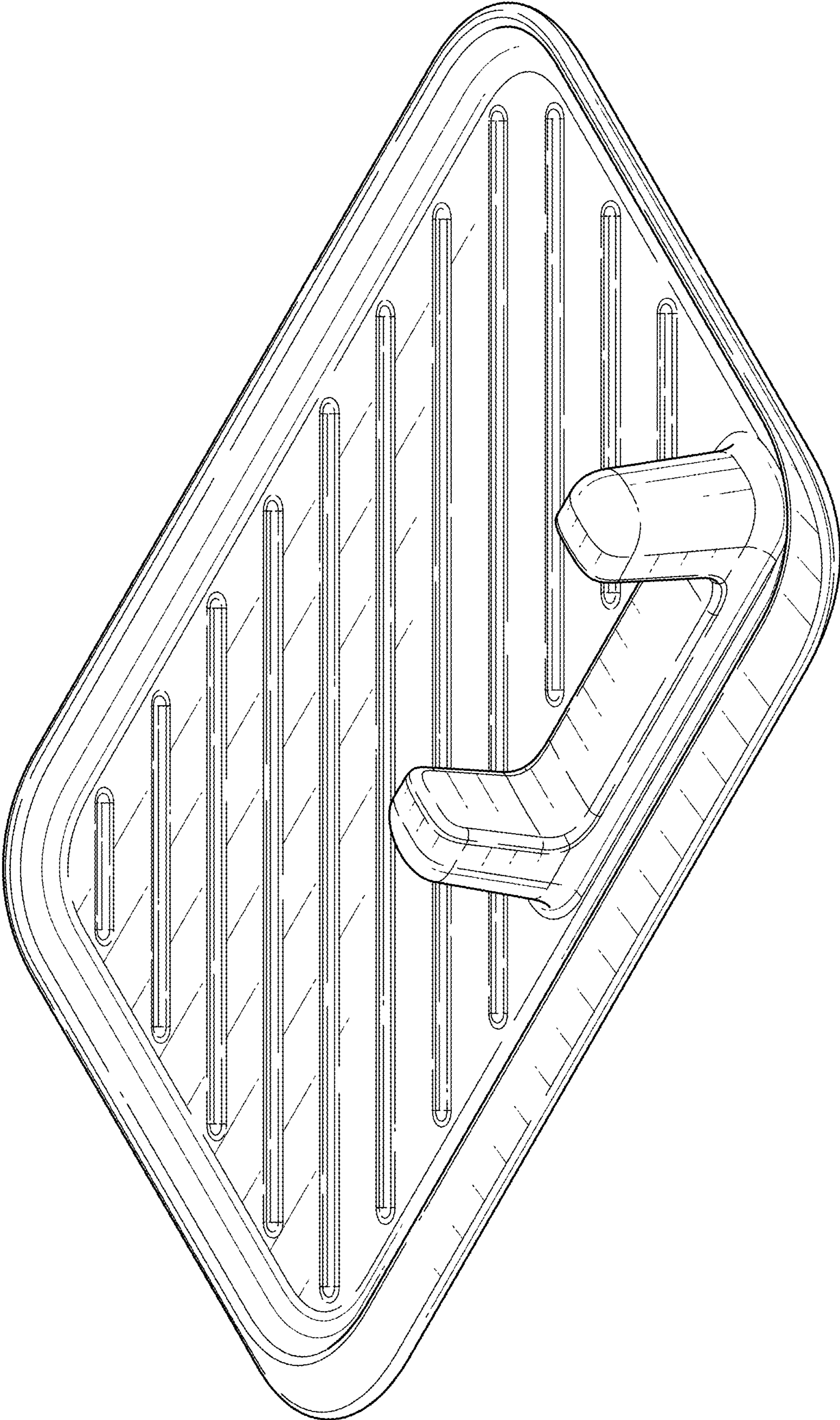


FIG. 1

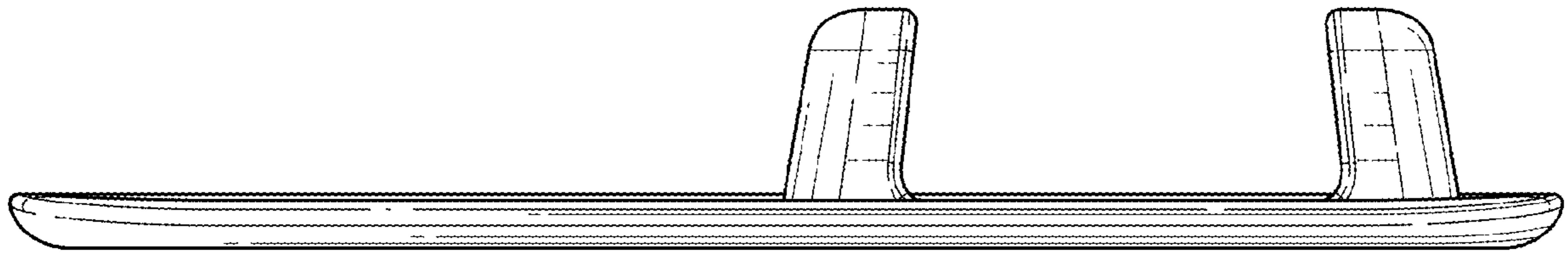


FIG. 2

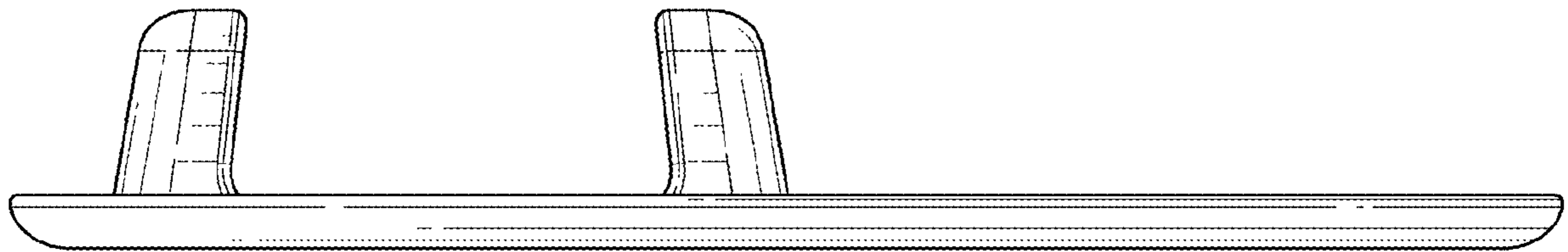


FIG. 3

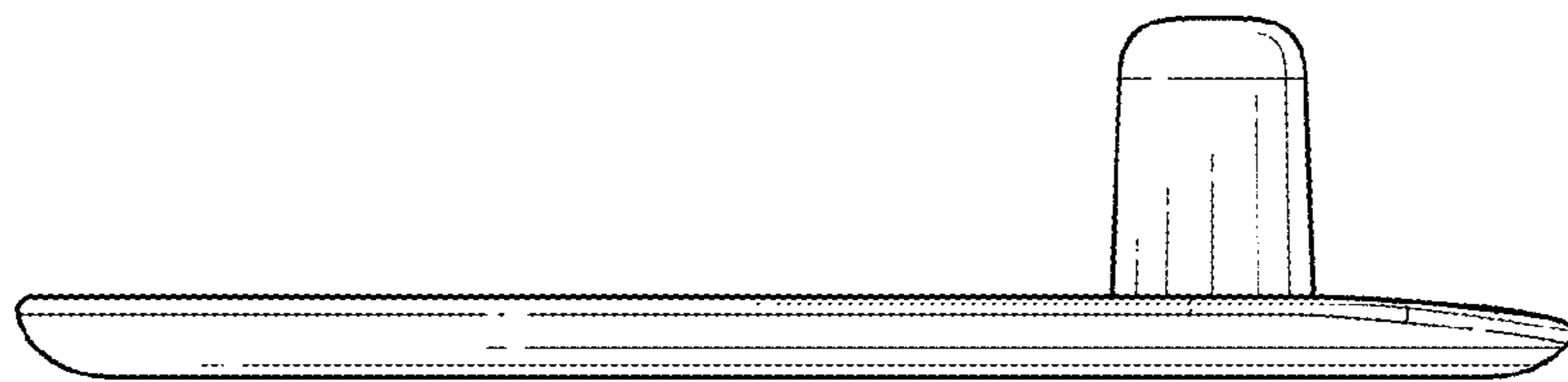


FIG. 4



FIG. 5

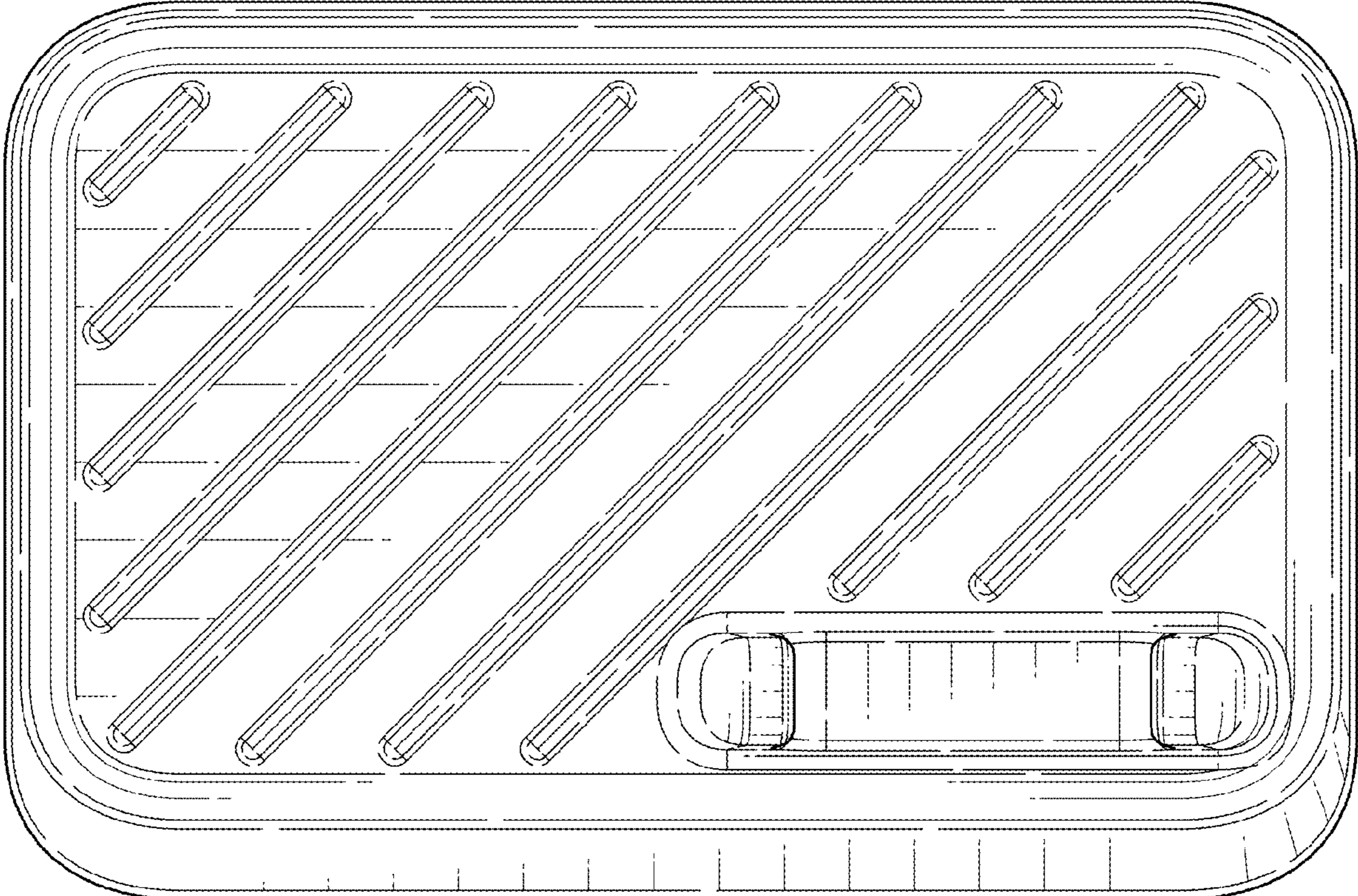


FIG. 6

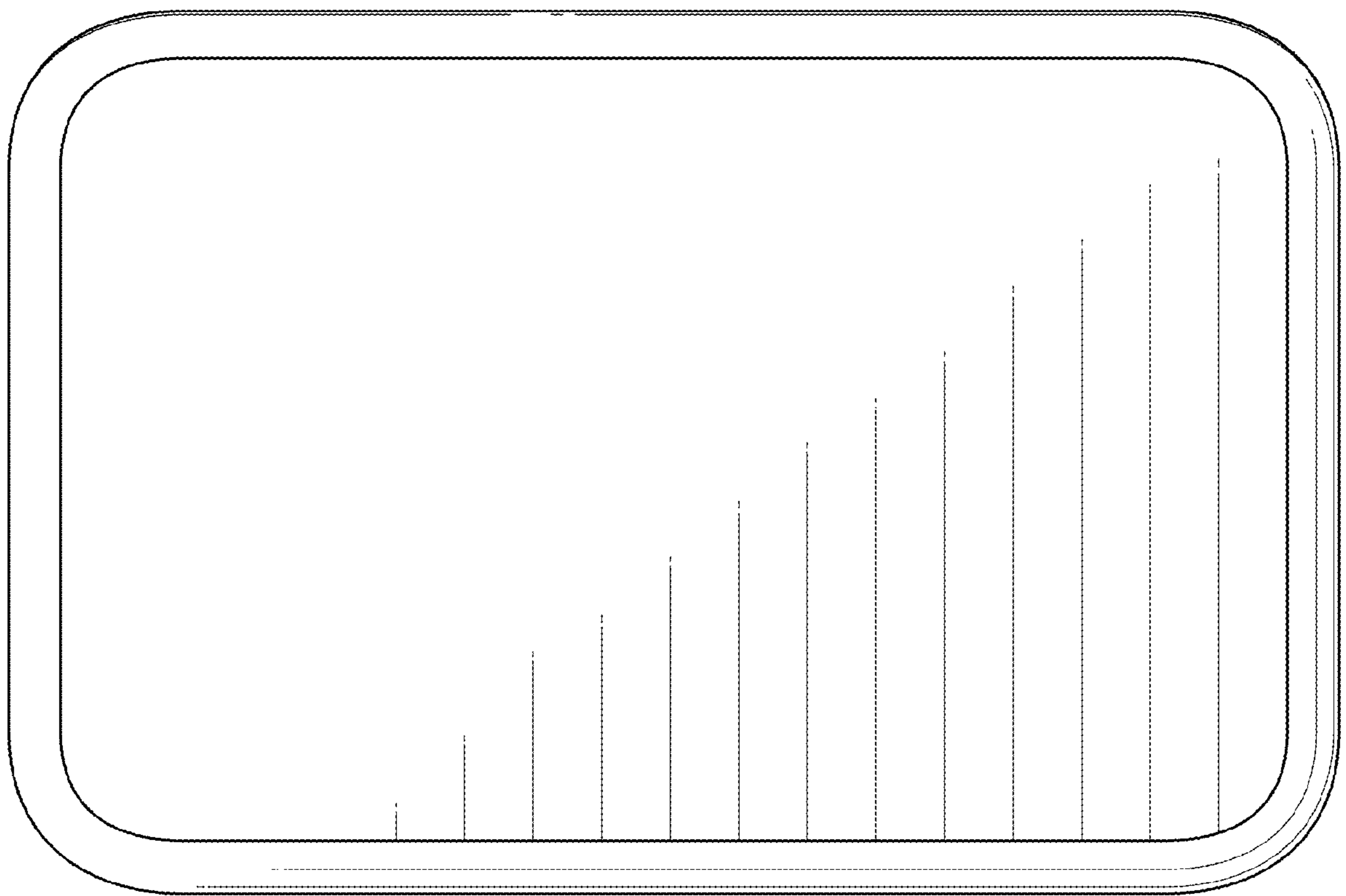


FIG. 7