



US00D921430S

(12) **United States Design Patent** (10) **Patent No.:** **US D921,430 S**
Chang (45) **Date of Patent:** **** Jun. 8, 2021**

(54) **STOVE BURNER TUBE**

(71) Applicant: **Shu-Jui Chang**, Taichung (TW)

(72) Inventor: **Shu-Jui Chang**, Taichung (TW)

(**) Term: **15 Years**

(21) Appl. No.: **29/710,191**

(22) Filed: **Oct. 21, 2019**

(51) **LOC (13) Cl.** **07-02**

(52) **U.S. Cl.**
USPC **D7/407**

(58) **Field of Classification Search**
USPC D7/323, 332, 334-337, 339-341,
D7/346-349, 350.1, 350.3, 351-353, 362,
D7/363, 387, 402, 403, 405-409;
D8/315-318
CPC .. A47J 33/00; A47J 36/00; A47J 36/26; A47J
37/00; A47J 37/04; A47J 37/06; A47J
37/0611; A47J 37/0623; A47J 37/0647;
A47J 37/0652; A47J 37/07; A47J
37/0704; A47J 37/0713; A47J 37/0718;
A47J 37/0727; A47J 37/0731; A47J
37/074; A47J 37/0754; A47J 37/0763;
A47J 2037/0777; F23D 14/10; F24C
1/00; F24C 3/00; F24C 3/002; F24C
3/022; F24C 3/042; F24C 3/08; F24C
3/082; F24C 3/10; F24C 3/106; F24C
3/14; F24C 7/00; F24C 7/02; F24C 7/04;
F24C 7/043; F24C 7/10; F24C 7/083;
F24C 15/10; F24C 15/36

See application file for complete search history.

(56) **References Cited**

U.S. PATENT DOCUMENTS

D792,741 S * 7/2017 Chung A47J 37/0713
D7/407
2010/0154775 A1* 6/2010 Robinson F23D 14/10
126/39 E
2016/0069564 A1* 3/2016 Ahmed F23D 14/10
126/39 E
2019/0274477 A1* 9/2019 Querejeta Aandueza
A47J 37/0713

OTHER PUBLICATIONS

Stainless Steel Tube Burner, The Home Depot, [online], [site visited Feb. 4, 2021], Available from internet URL: <https://www.homedepot.com/p/Stainless-Steel-Tube-Burner-540-0001/206338567> (Year: 2021).*

* cited by examiner

Primary Examiner — Mary Ann Calabrese
Assistant Examiner — Natalya M Rapundalo

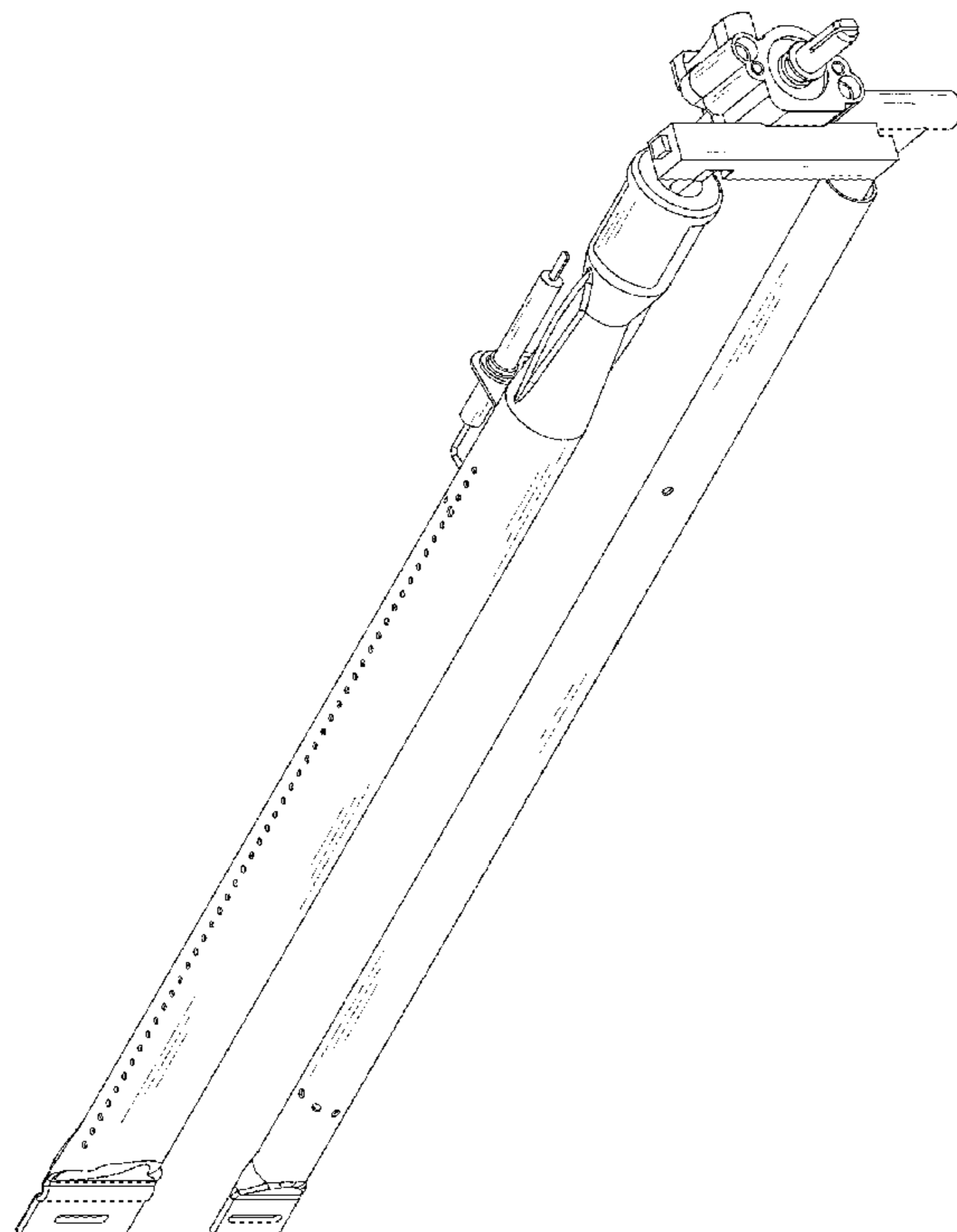
(57) **CLAIM**

The ornamental design for a stove burner tube, as shown and described.

DESCRIPTION

FIG. 1 is a perspective view of a stove burner tube showing my new design;
FIG. 2 is a front side view thereof;
FIG. 3 is a back side view thereof;
FIG. 4 is a left side view thereof;
FIG. 5 is a right side view thereof;
FIG. 6 is a top plan view thereof; and,
FIG. 7 is a bottom plan view thereof.

1 Claim, 6 Drawing Sheets



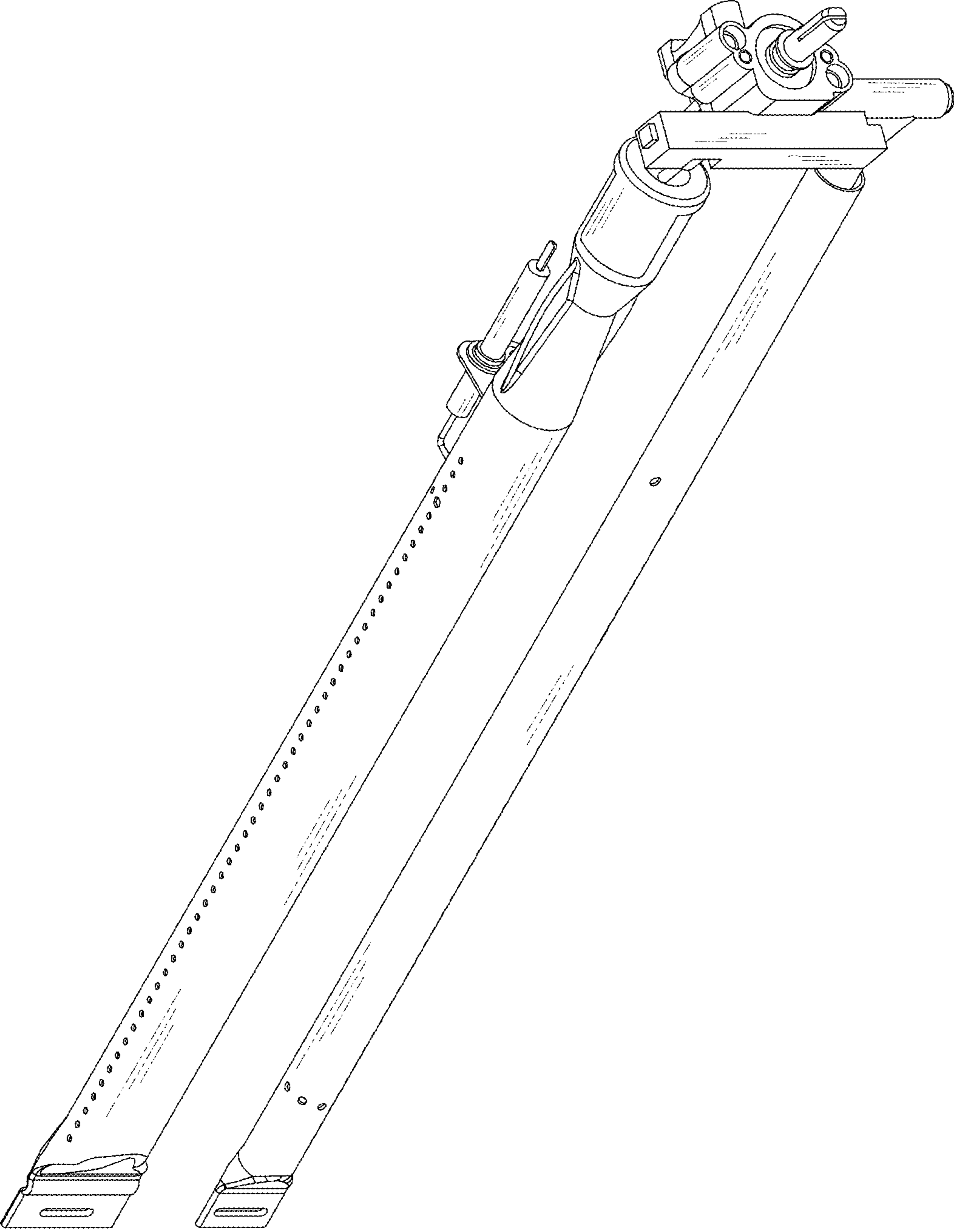


FIG. 1

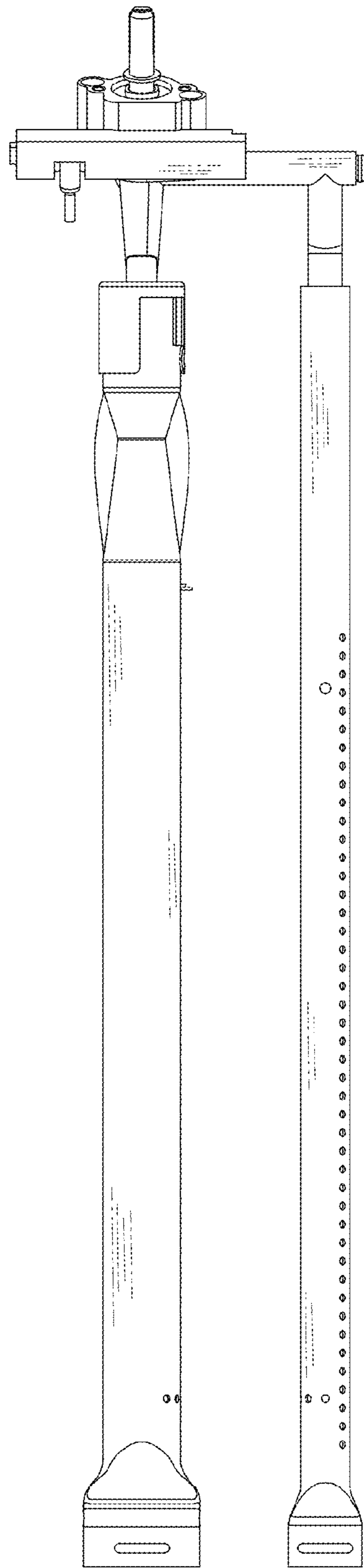


FIG. 2

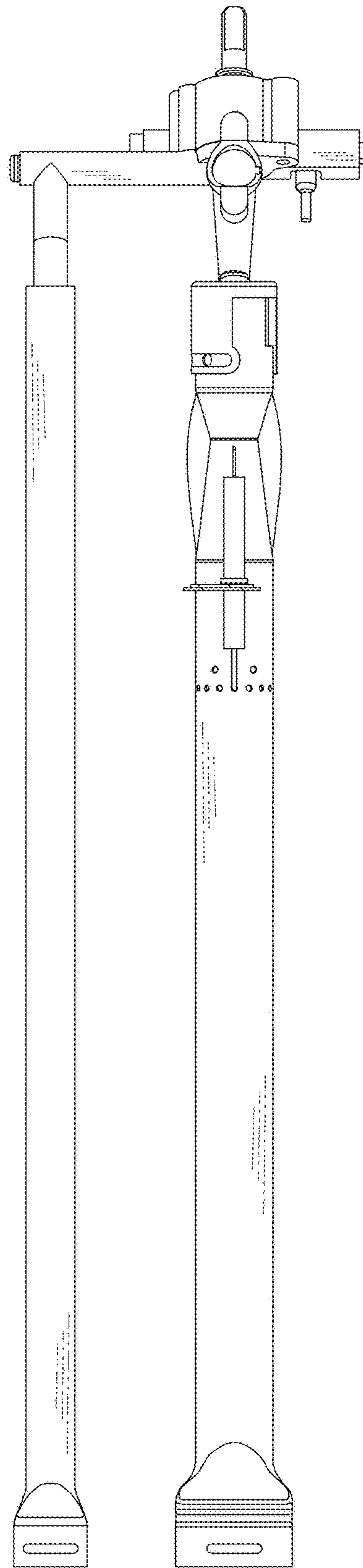


FIG. 3

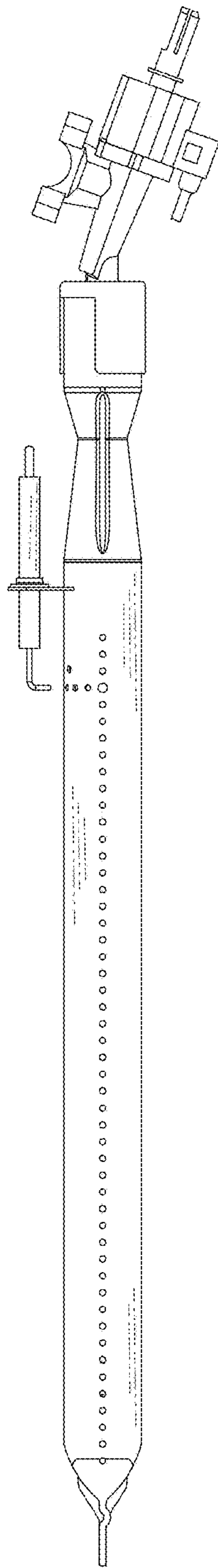


FIG. 4

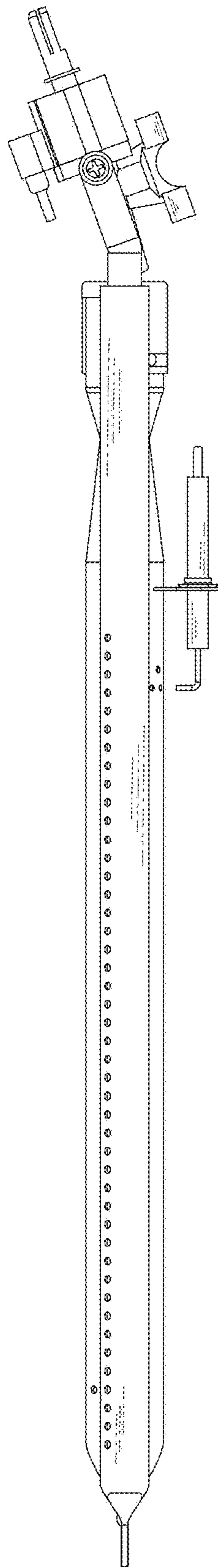


FIG. 5

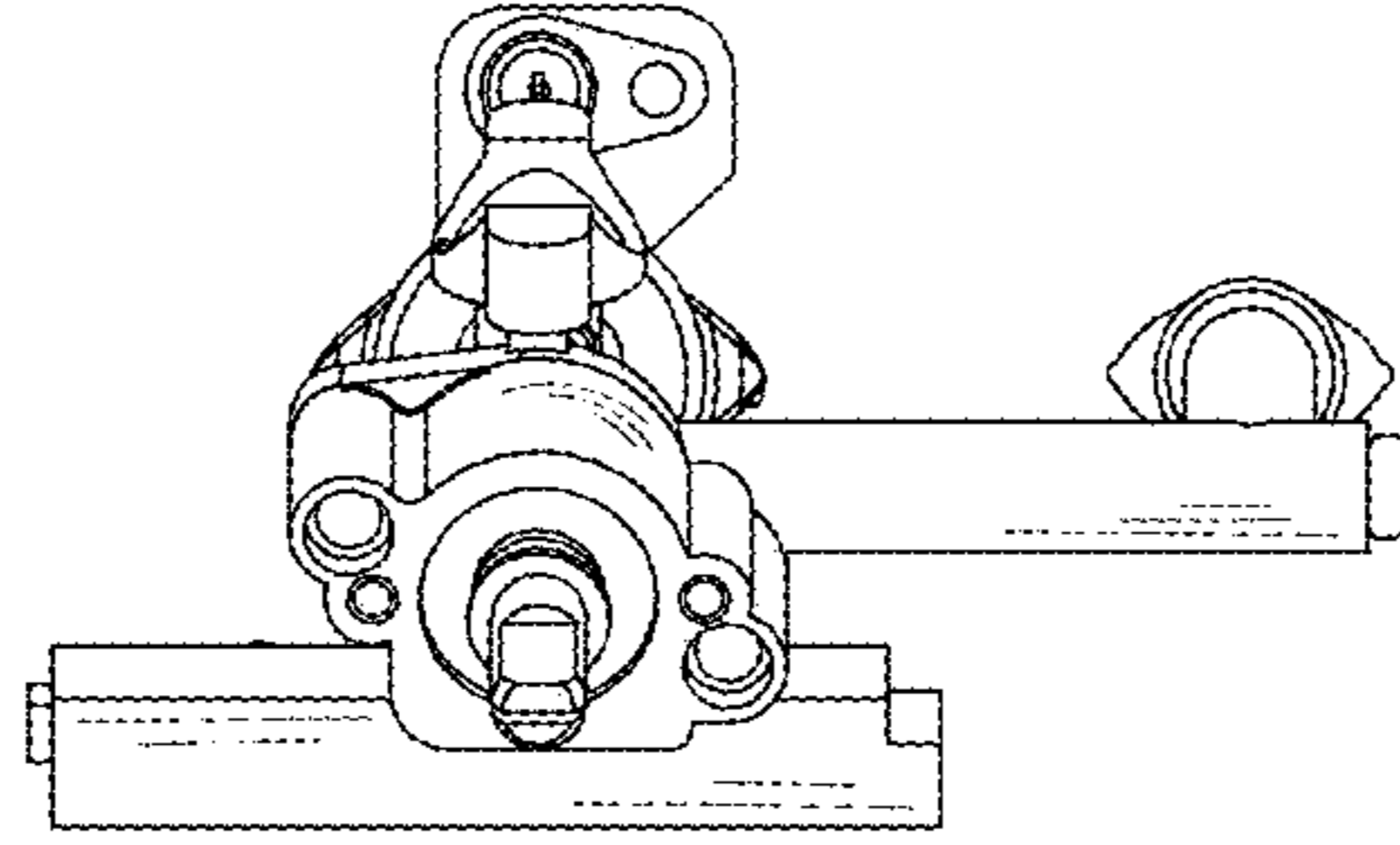


FIG. 6

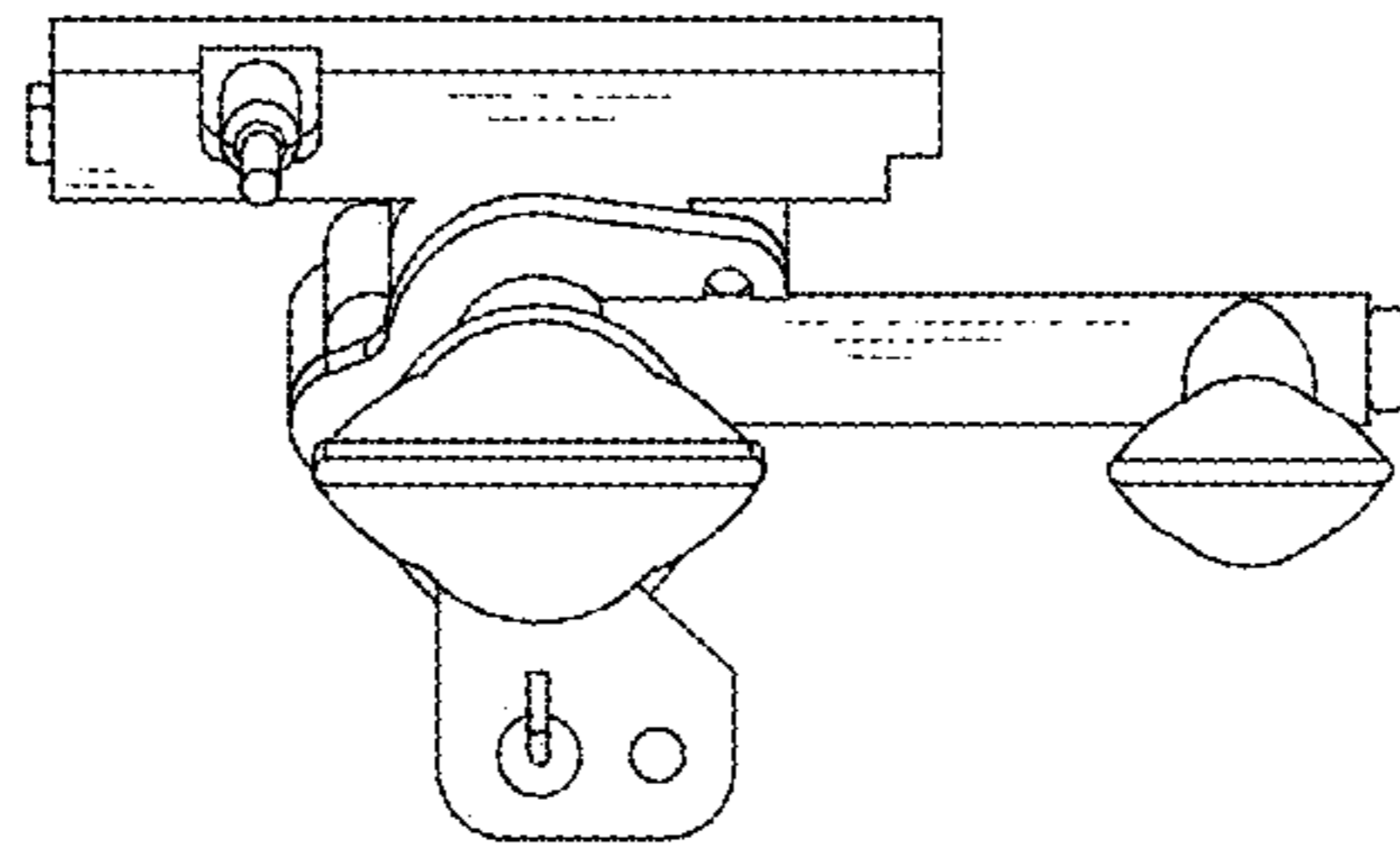


FIG. 7