



US00D921429S

(12) **United States Design Patent** (10) **Patent No.:** **US D921,429 S**
Thun et al. (45) **Date of Patent:** **** Jun. 8, 2021**

(54) **COOKING HOB**

(71) Applicant: **Zwilling J.A. Henckels AG**, Solingen (DE)

(72) Inventors: **Matteo Thun**, Mailand (IT); **Antonio Rodriguez**, Mailand (IT)

(73) Assignee: **Zwilling J.A. Henckels**, Solingen (DE)

(**) Term: **15 Years**

(21) Appl. No.: **29/698,460**

(22) Filed: **Jul. 17, 2019**

(30) **Foreign Application Priority Data**

Jan. 17, 2019 (EM) 006052502-0001

(51) **LOC (13) Cl.** **07-02**

(52) **U.S. Cl.**
USPC **D7/407**

(58) **Field of Classification Search**
USPC D7/323, 332, 334–337, 339–341,
D7/346–349, 350.1, 350.3, 351–353, 362,
D7/363, 387, 402, 403, 405–409;
D8/315–318

CPC .. A47J 33/00; A47J 36/00; A47J 36/26; A47J
37/00; A47J 37/04; A47J 37/06; A47J
37/0611; A47J 37/0623; A47J 37/0647;
A47J 37/0652; A47J 37/07; A47J
37/0704; A47J 37/0713; A47J 37/0718;
A47J 37/0727; A47J 37/0731; A47J
37/074; A47J 37/0754; A47J 37/0763;
A47J 2037/0777; F23D 14/10; F24C
1/00; F24C 3/00; F24C 3/002; F24C
3/022; F24C 3/042; F24C 3/08; F24C
3/082; F24C 3/10; F24C 3/106; F24C
3/14; F24C 7/00; F24C 7/02; F24C 7/04;
F24C 7/043; F24C 7/10; F24C 7/083;
F24C 15/10; F24C 15/36

See application file for complete search history.

(56) **References Cited**

U.S. PATENT DOCUMENTS

2,138,247 A * 11/1938 Tatosian A47J 37/0611
99/373
D336,009 S * 6/1993 Tringali D7/367
9,220,365 B1 * 12/2015 Okonkwo H01F 7/20
D811,803 S * 3/2018 Lee H05B 6/1209
D7/362

(Continued)

OTHER PUBLICATIONS

Circulon Infinite Portable Tabletop Induction Cooker, first available May 5, 2003, Amazon, [online], [site visited Feb. 2, 2021], Available from internet URL: <https://www.amazon.com/Circulon-Infinite-Portable-Tabletop-Induction/dp/B0014309OU> (Year: 2003).*

(Continued)

Primary Examiner — Mary Ann Calabrese
Assistant Examiner — Natalya M Rapundalo
(74) *Attorney, Agent, or Firm* — Gregory L. Mayback;
Dickinson Wright PLLC

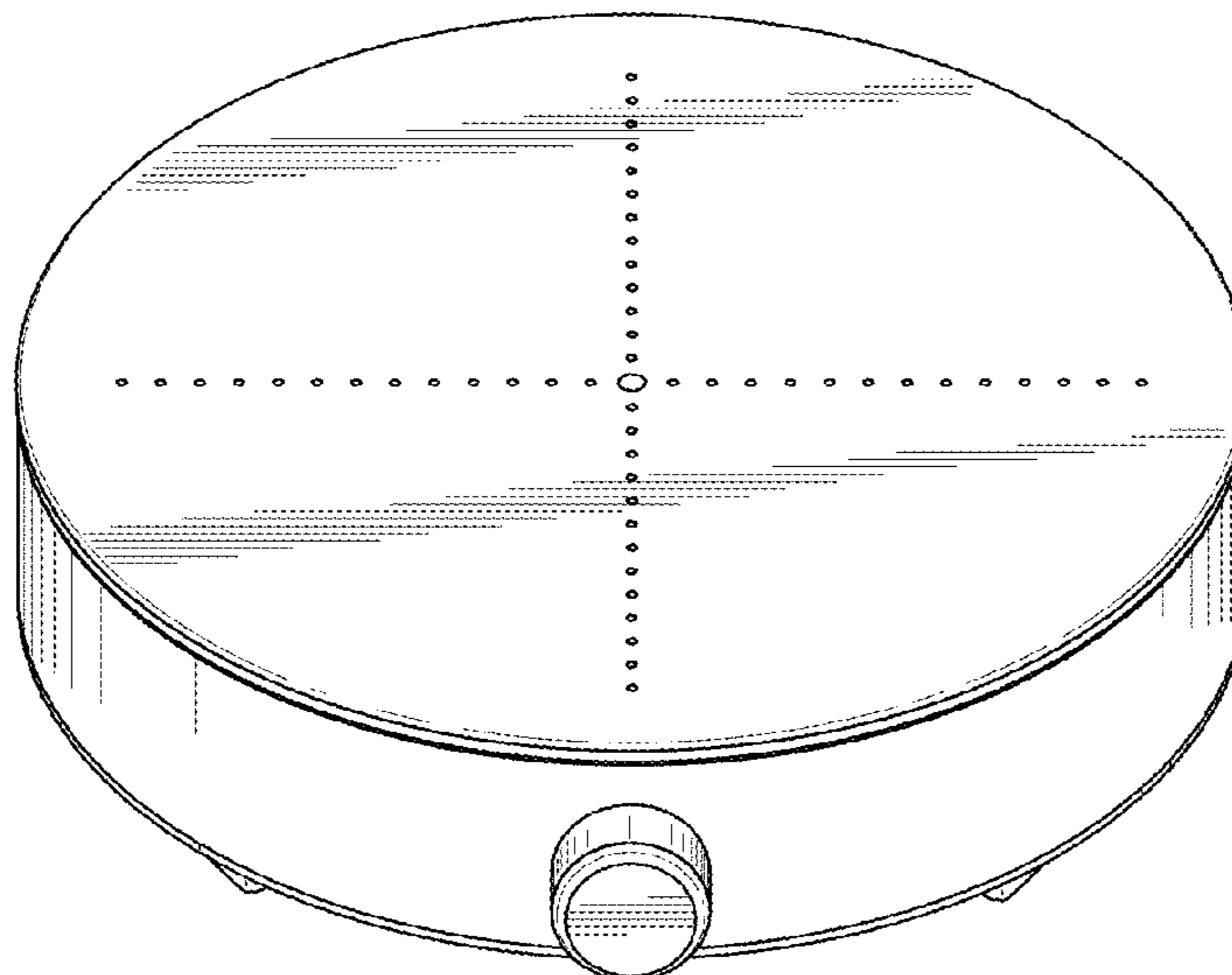
(57) **CLAIM**

The ornamental design for a cooking hob, as shown and described.

DESCRIPTION

FIG. 1 is a top perspective view of a cooking hob showing our new design;
FIG. 2 is a front elevation view thereof;
FIG. 3 is a back elevation view thereof;
FIG. 4 is a left side elevation view thereof;
FIG. 5 is a right side elevation view thereof;
FIG. 6 is top plan view thereof; and,
FIG. 7 is a bottom plan view thereof.
The broken lines depict portions of the cooking hob that form no part of the claimed design.

1 Claim, 2 Drawing Sheets



(56)

References Cited

U.S. PATENT DOCUMENTS

2017/0105251 A1* 4/2017 Viroli H05B 6/1209

OTHER PUBLICATIONS

Design No. 300906029.0000, May 4, 2017—Korean Intellectual Property Office Publication Date—May 12, 2017 Owner—Meyer Intellectual Properties Limited, Designer—Martin Castner WIPO, available at <https://www3.wipo.int/designdb/en/index.jsp> (Year: 2017).*
Varcul 1300W Portable Electric Induction Cooktop, first available Jun. 29, 2020, Amazon, [online], [site visited Feb. 2, 2021], Available from internet URL: <https://www.amazon.com/dp/B08BZ2RH8P> (Year: 2020).*

* cited by examiner

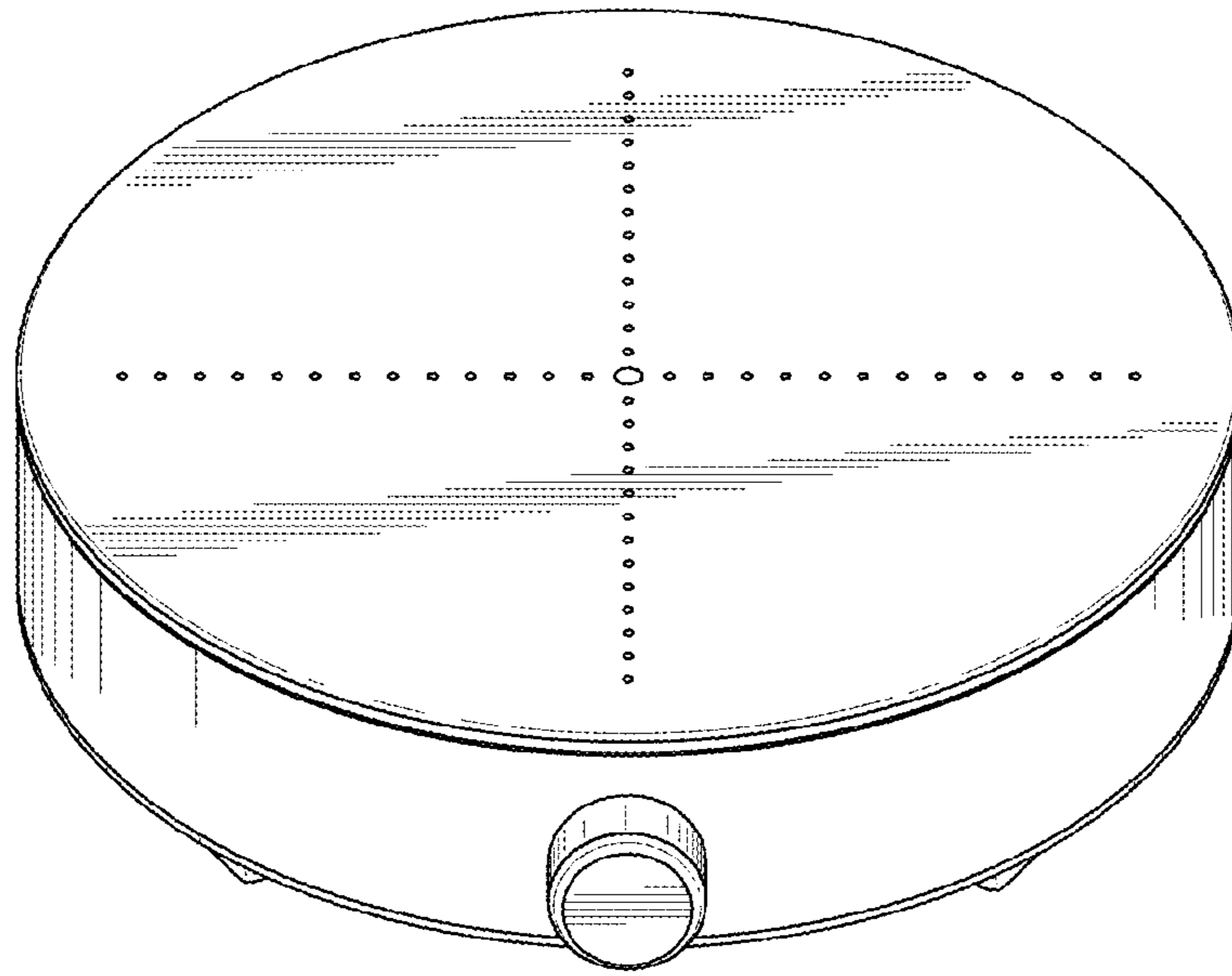


FIG. 1

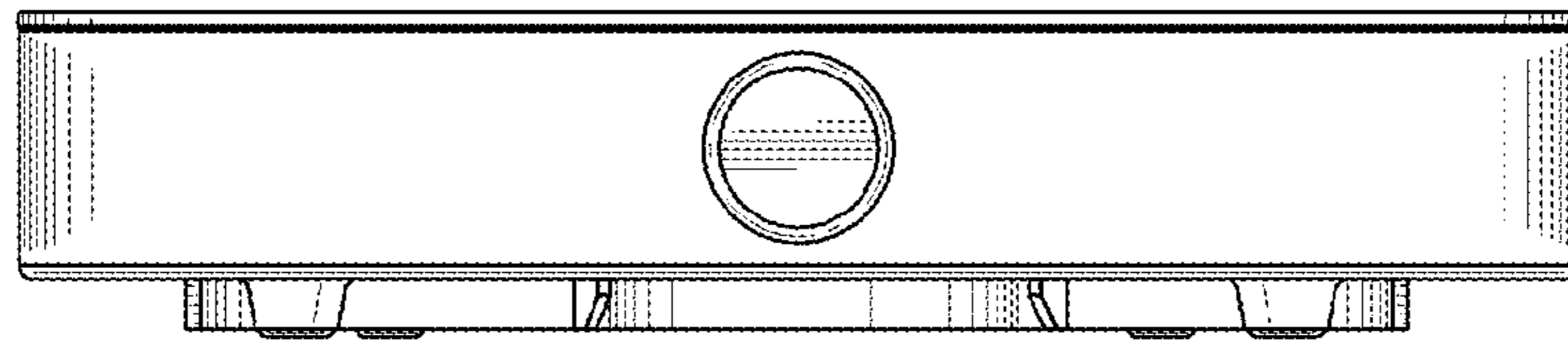


FIG. 2

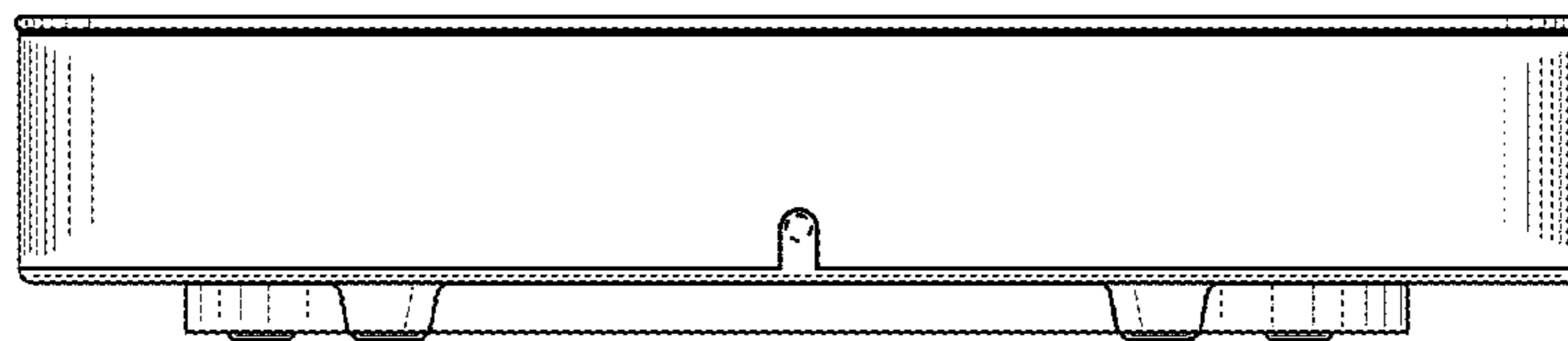


FIG. 3

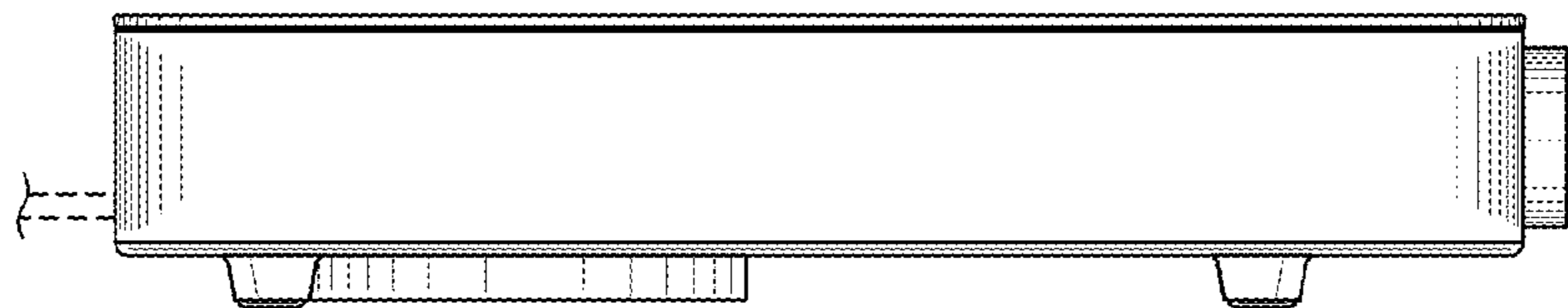


FIG. 4

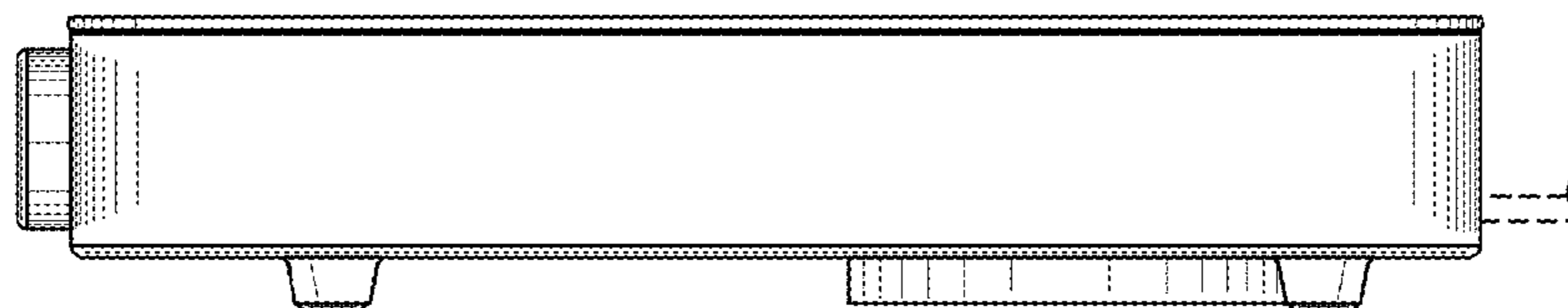


FIG. 5

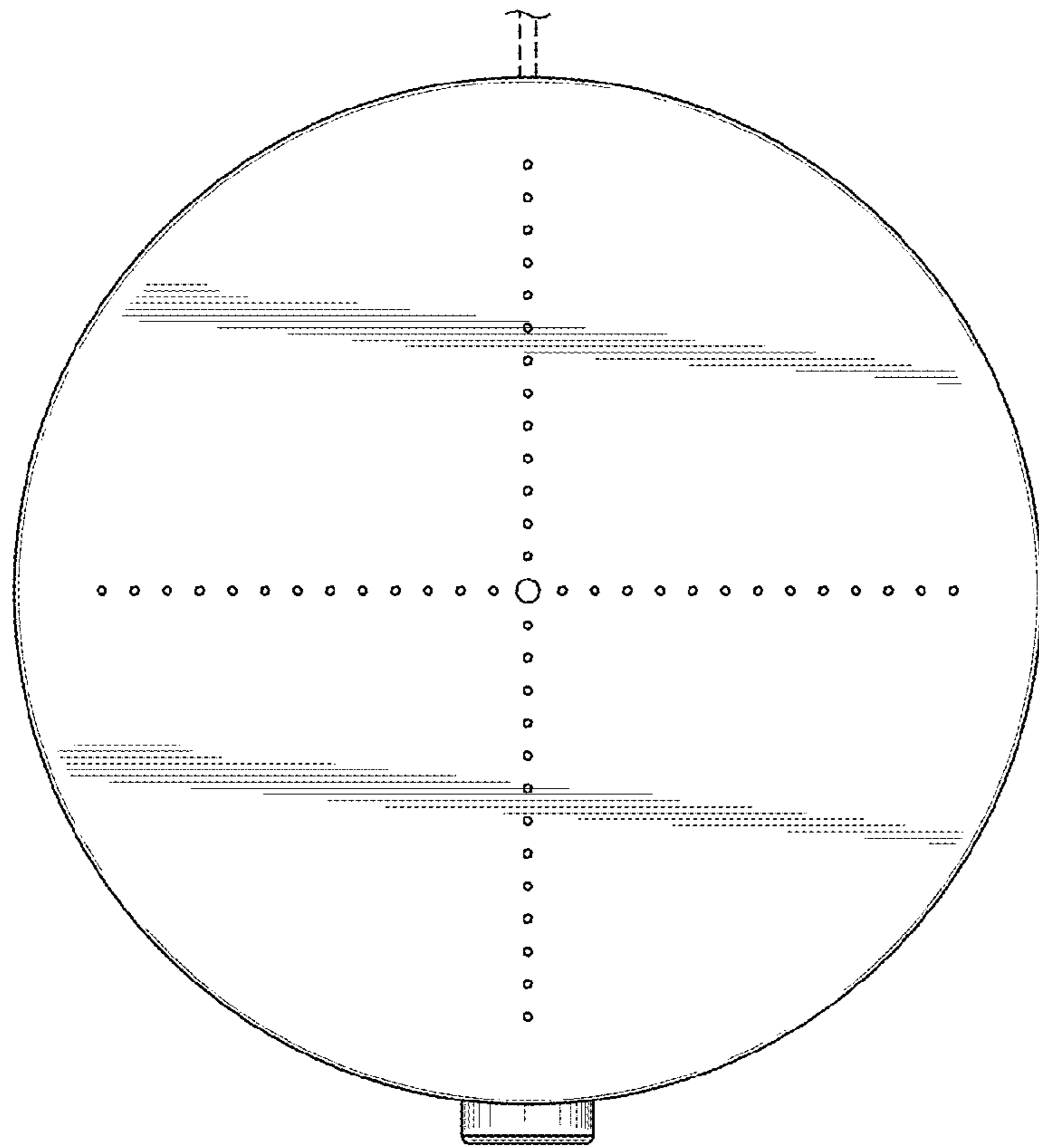


FIG. 6

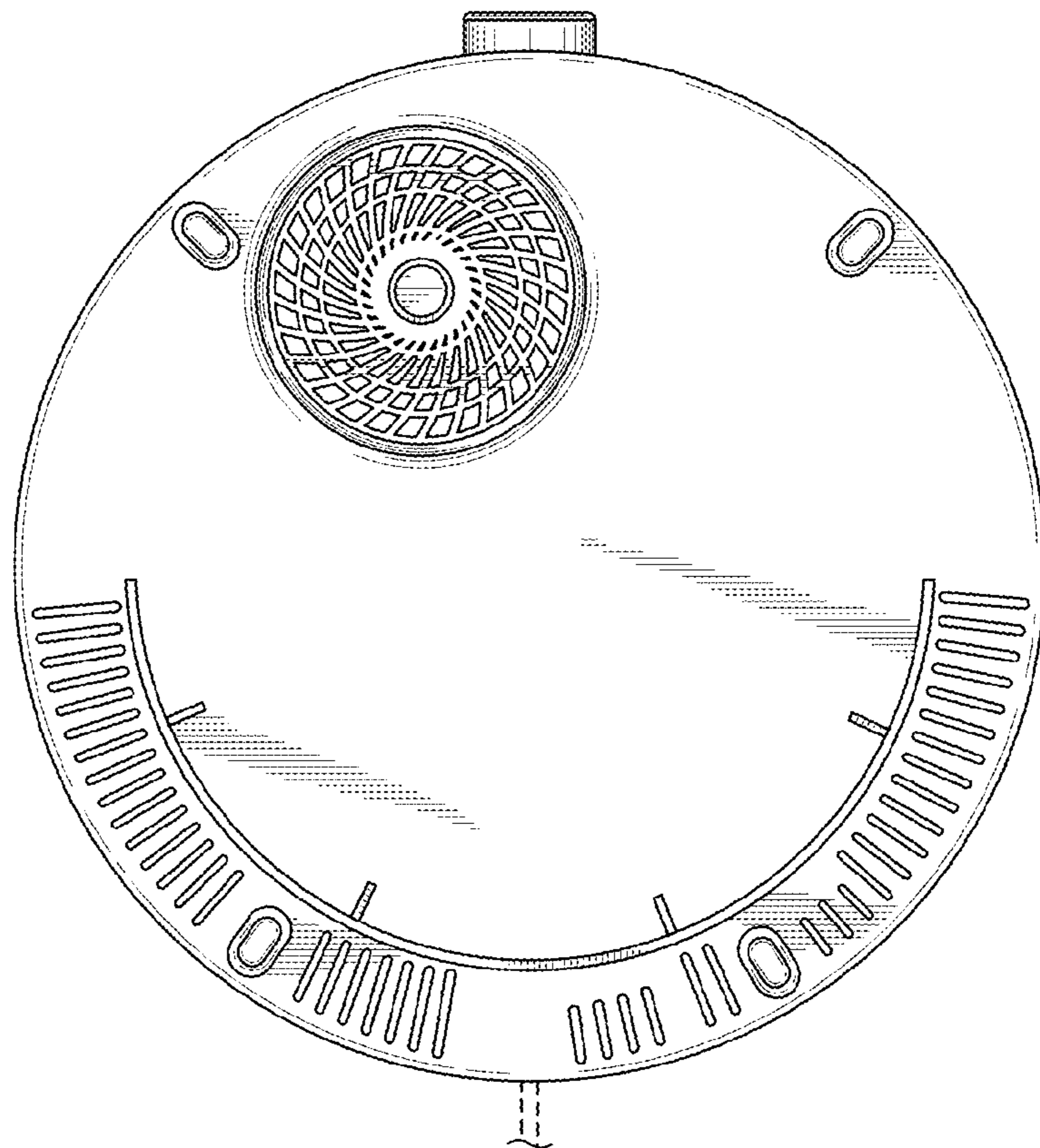


FIG. 7