



US00D921428S

(12) **United States Design Patent**
Hansen

(10) **Patent No.:** **US D921,428 S**

(45) **Date of Patent:** **** *Jun. 8, 2021**

- (54) **RESIDENTIAL STOVE WRAP**
- (71) Applicant: **William L. Hansen**, Rancho Santa Margarita, CA (US)
- (72) Inventor: **William L. Hansen**, Rancho Santa Margarita, CA (US)
- (*) Notice: This patent is subject to a terminal disclaimer.

3,702,112 A * 11/1972 Keppler F24C 14/00
126/19 R
D250,872 S * 1/1979 Meunier D7/346
D267,770 S * 2/1983 Fischer D7/346
4,517,955 A 5/1985 Ehrlich
4,547,642 A * 10/1985 Smith F24C 14/00
126/21 A
4,922,888 A 5/1990 Bryan et al.
5,036,831 A * 8/1991 Ray F24C 15/108
126/211
5,115,797 A 5/1992 Hurner
(Continued)

(**) Term: **14 Years**

(21) Appl. No.: **29/523,132**

(22) Filed: **Apr. 7, 2015**

(51) **LOC (13) Cl.** **07-99**

(52) **U.S. Cl.**
USPC **D7/407**

(58) **Field of Classification Search**
USPC D7/402-408, 339-340, 346-349,
D7/350.1-351, 323, 330-338
CPC H05B 6/763; H05B 6/6414; H05B 6/6408;
Y02B 40/14; Y02B 40/143; Y02B
40/146; F24C 15/02; F24C 1/00; F24C
14/00; F24C 3/00; F24C 5/00; F24C
7/00; A47J 37/07; A47J 37/06

See application file for complete search history.

(56) **References Cited**

U.S. PATENT DOCUMENTS

119,066 A * 9/1871 Van A47J 37/06
126/14
185,757 A * 12/1876 King A47J 37/06
126/12
1,536,016 A * 4/1925 Kavanagh F24C 15/36
126/42
D165,742 S * 1/1952 Culver, Jr. F24C 15/108
D7/340
D207,265 S * 3/1967 Blumenthal D21/524
3,509,605 A * 5/1970 More F24C 7/082
411/523

FOREIGN PATENT DOCUMENTS

EM 002715417-0004 * 7/2015
ES D0528117-01 * 4/2018

(Continued)

OTHER PUBLICATIONS

“Atwood Mobile Products Launches Stove Wrap,” Mar. 6, 2015, rvbusiness.com, site visited Dec. 16, 2020, URL: <https://rvbusiness.com/atwood-mobile-products-launches-stove-wrap/> (Year: 2015).*

Primary Examiner — Eric L Goodman
Assistant Examiner — Sarah L Smith
(74) *Attorney, Agent, or Firm* — Maschoff Brennan

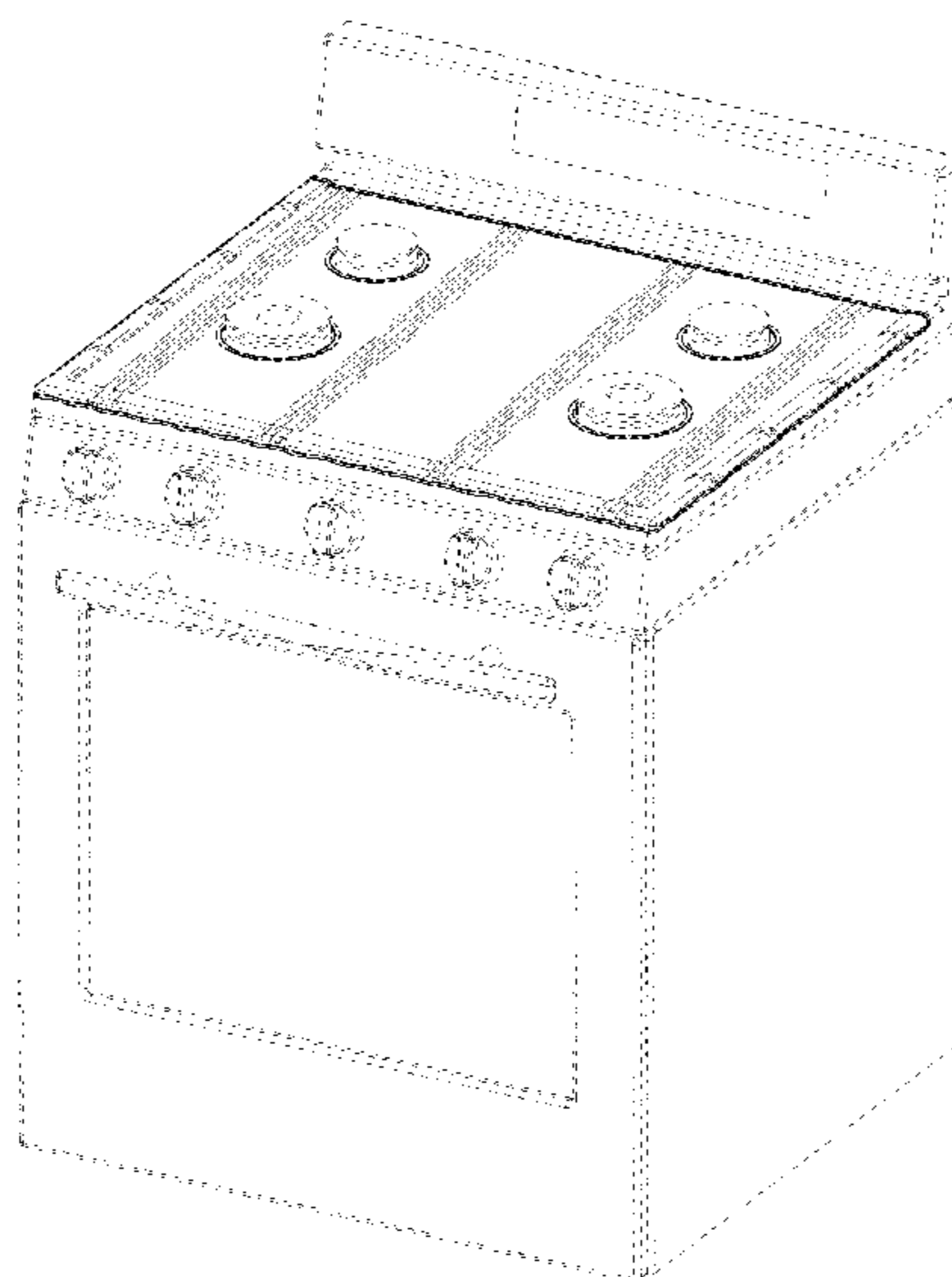
(57) **CLAIM**

The ornamental design for a residential stove wrap, as shown and described.

DESCRIPTION

FIG. 1 is an upper perspective view of a residential stove wrap in an example operating environment; FIG. 2 is a top view or a bottom view thereof; FIG. 3 is a side view thereof; and, FIG. 4 is a front view or a rear view thereof. The broken lines showing a stove form no part of the claimed design.

1 Claim, 3 Drawing Sheets



(56)

References Cited

U.S. PATENT DOCUMENTS

D345,891 S 4/1994 Blanco
 D350,167 S 8/1994 Klawitter
 5,353,781 A 10/1994 Calvillo
 5,653,221 A * 8/1997 Luken F24C 7/082
 126/299 C
 D386,945 S * 12/1997 Mendoza F24C 7/082
 D7/402
 D396,989 S * 8/1998 Deo F24C 3/12
 D7/346
 6,119,678 A * 9/2000 Marchand D06F 34/28
 126/39 B
 6,198,080 B1 * 3/2001 Rice F24C 7/082
 219/412
 D450,527 S * 11/2001 Busalt D7/340
 D451,332 S * 12/2001 Busalt D7/340
 D462,872 S 9/2002 Chiang
 D464,229 S * 10/2002 Baldwin D7/340
 D482,931 S * 12/2003 Staebler D7/407
 6,686,576 B1 * 2/2004 Yang F24C 15/2092
 126/299 D
 D511,936 S * 11/2005 Becker D7/406
 D513,684 S * 1/2006 Jackovin D7/406
 D513,922 S * 1/2006 Grutzke D7/346
 D536,207 S * 2/2007 Ostlund D7/340
 D536,208 S * 2/2007 Ostlund D7/340
 D557,069 S * 12/2007 Shin D7/408
 D568,673 S * 5/2008 Tanaka D7/346
 D578,823 S * 10/2008 Kim D7/340

D610,863 S * 3/2010 Kim D7/340
 D685,602 S * 7/2013 Lee D7/340
 D701,413 S * 3/2014 Hill D7/346
 D707,073 S * 6/2014 Hill D7/346
 D745,805 S * 12/2015 Hansen H05B 6/688
 D7/407
 2008/0125911 A1 * 5/2008 Ebrom H05B 6/688
 700/275
 2008/0143550 A1 * 6/2008 Ebrom G06F 9/54
 340/12.29
 2010/0044363 A1 * 2/2010 Butcher F24C 15/2007
 219/405
 2010/0139638 A1 * 6/2010 Hargrave F24C 15/02
 126/19 R
 2011/0192391 A1 * 8/2011 Bevilacqua F24C 15/00
 126/1 R
 2013/0032133 A1 * 2/2013 Tisselli F24C 15/105
 126/213
 2014/0014084 A1 * 1/2014 Rudolph F24C 7/08
 126/1 R
 2016/0327283 A1 * 11/2016 Lee F24C 15/32
 2017/0254543 A1 * 9/2017 Peterson F24C 3/12

FOREIGN PATENT DOCUMENTS

JP D1063493 * 3/2000
 JP D1271881 * 5/2006
 JP D1453286 * 10/2012
 KR 300536531.0000 * 8/2009
 WO D089603-001 * 4/2016

* cited by examiner

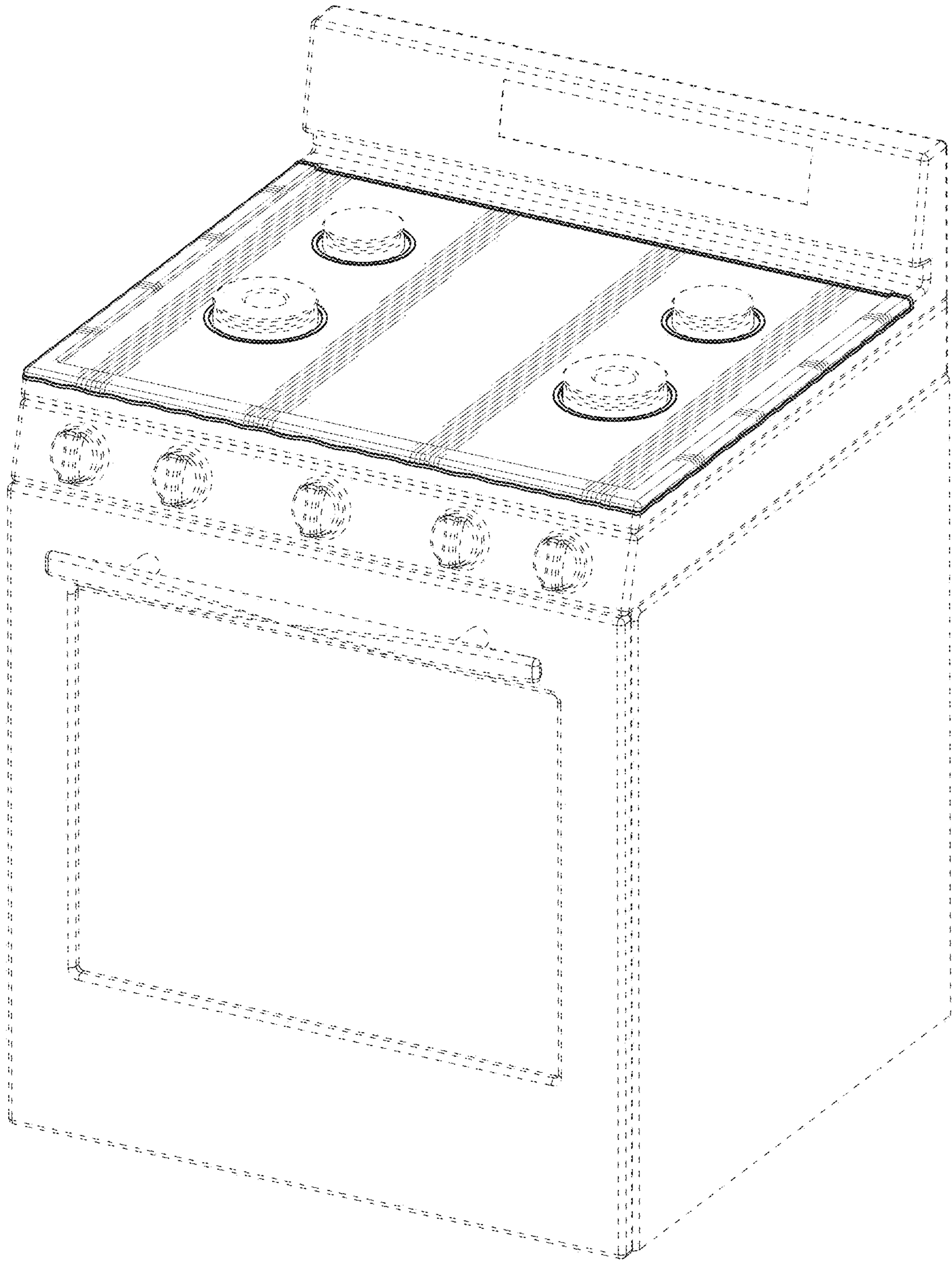


Fig. 1

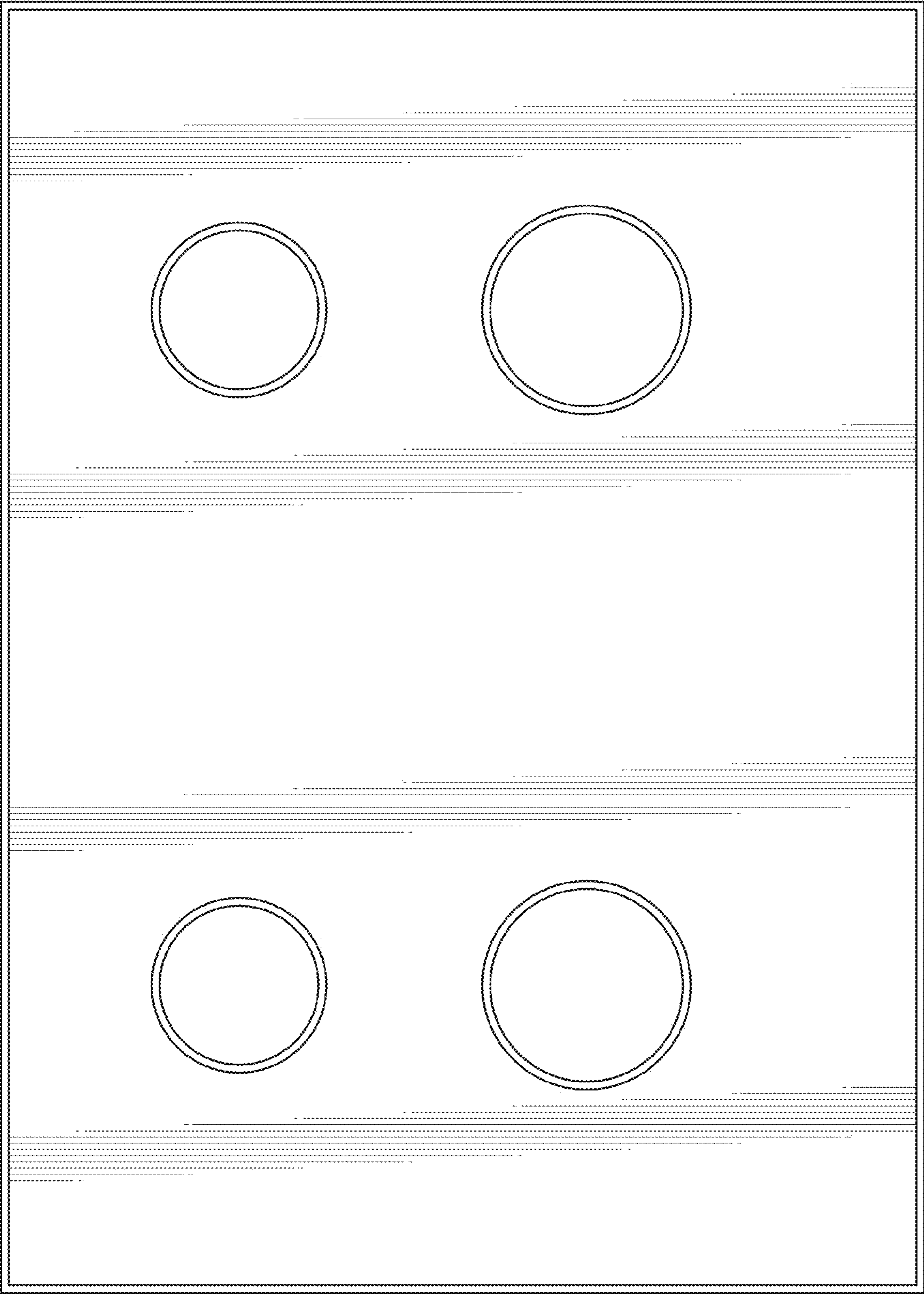


Fig. 2



Fig. 3



Fig. 4