



US00D921427S

(12) **United States Design Patent**
Colston

(10) **Patent No.:** **US D921,427 S**
(45) **Date of Patent:** **** Jun. 8, 2021**

- (54) **GRILL SAWHORSE LEGS**
- (71) Applicant: **Traeger Pellet Grills LLC**, Salt Lake City, UT (US)
- (72) Inventor: **Michael Virgil Colston**, Salt Lake City, UT (US)
- (73) Assignee: **Traeger Pellet Grills, LLC**, Salt Lake City, UT (US)
- (**) Term: **15 Years**
- (21) Appl. No.: **29/681,003**
- (22) Filed: **Feb. 21, 2019**

2,631,076 A	3/1953	Redlich	
D179,345 S	12/1956	Herry et al.	
2,822,228 A	2/1958	Comer	
2,902,026 A	9/1959	Hathom	
D188,879 S	9/1960	Gauss	
D196,553 S	10/1963	Mayer	
D196,996 S	11/1963	Kates	
3,533,393 A	10/1970	Haapanen	
3,665,913 A	5/1972	Cagle	
3,754,728 A	8/1973	Bowman	
3,769,901 A	11/1973	Phillips	
3,791,370 A	2/1974	Fausser	
3,883,104 A	5/1975	Delafield	
3,938,493 A	2/1976	Bauer	
3,945,740 A	3/1976	Weiler	
3,964,404 A	6/1976	Mueller et al.	
4,076,008 A	2/1978	Deaton	
4,090,490 A	5/1978	Riley et al.	
4,132,178 A	1/1979	Mueller et al.	
4,192,113 A	3/1980	Martin, Jr.	
4,233,890 A	11/1980	Jansen	
D264,262 S *	5/1982	Scripter	D34/24
4,362,093 A	12/1982	Griscom	
4,396,173 A	8/1983	Call, Sr.	
4,408,928 A	10/1983	Steinke	
4,592,335 A	6/1986	Beller	
4,665,891 A	5/1987	Nemec	
4,700,618 A	10/1987	Cox	
4,788,906 A	12/1988	Starks	
4,955,358 A	9/1990	Harris et al.	
5,002,247 A	3/1991	Dispenza et al.	
5,031,602 A	7/1991	Vick	
D320,527 S	10/1991	Carroll	
5,070,857 A	12/1991	Sarten	
5,163,359 A	11/1992	McLane	
5,299,553 A *	4/1994	Giebel	A47J 37/0786 126/242
D350,668 S	9/1994	Glebel et al.	
D355,745 S *	2/1995	Greene	D34/12
5,404,795 A	4/1995	Coble	
5,473,979 A	12/1995	Ruben	
5,481,964 A	1/1996	Kitten	
5,483,947 A	1/1996	Giebel et al.	
D369,716 S	5/1996	Blanc	
5,524,610 A	6/1996	Clark	
D376,510 S	12/1996	Ting	
5,694,917 A	12/1997	Giebel	
5,934,180 A	8/1999	Lin	
D414,374 S	9/1999	Ting	
5,947,007 A	9/1999	O'Grady	
6,000,388 A	12/1999	Andress	
D428,303 S	7/2000	Wagner et al.	
D428,760 S	8/2000	Huang	

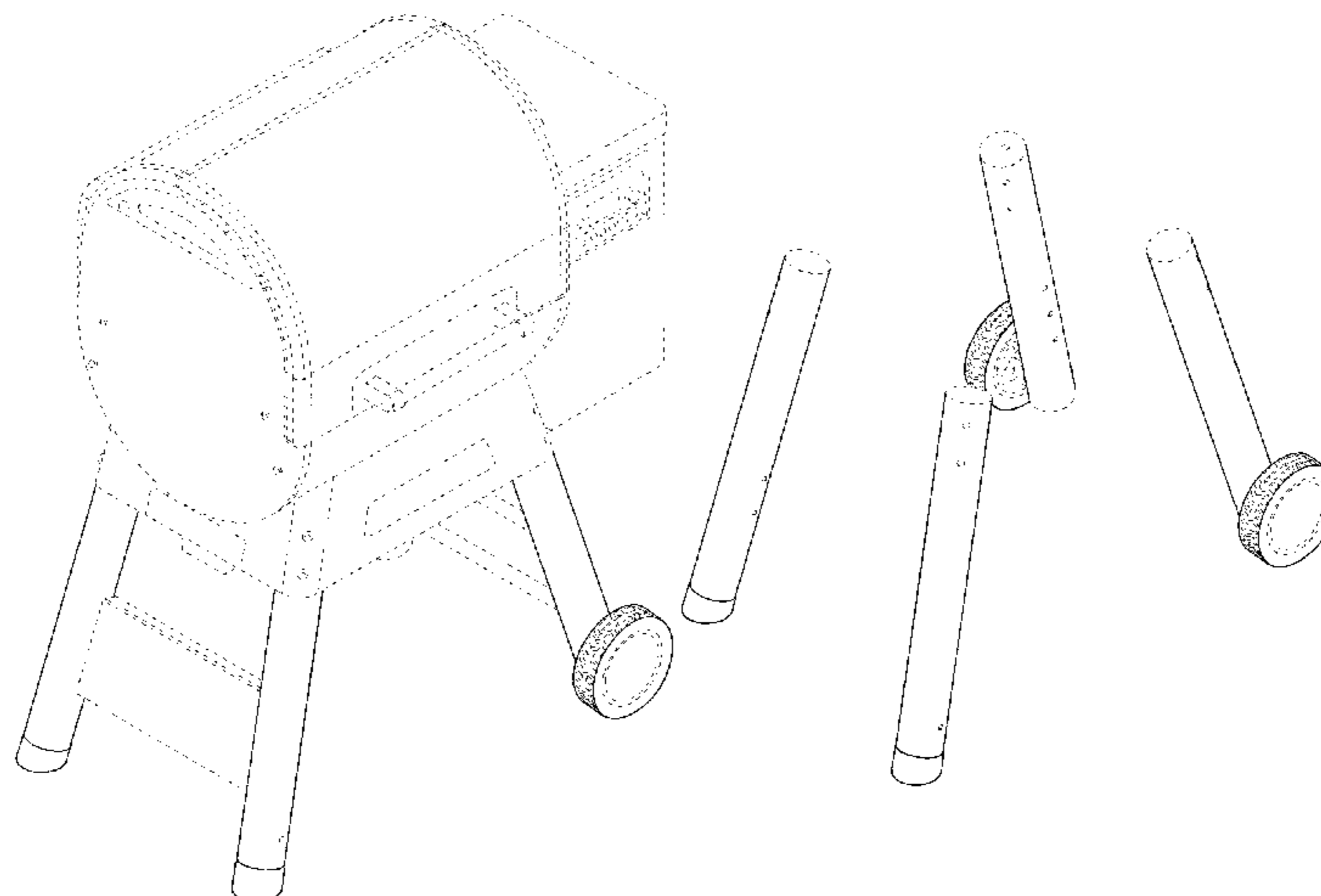
Related U.S. Application Data

- (63) Continuation of application No. 29/667,351, filed on Oct. 19, 2018, which is a continuation of application No. PCT/US2017/067370, filed on Dec. 19, 2017, which is a continuation of application No. 15/070,220, filed on Mar. 15, 2016, which is a continuation of application No. 29/539,822, filed on Sep. 17, 2015, now Pat. No. Des. 839,047, and a continuation of application No. 29/667,355, filed on Oct. 19, 2018, which is a continuation of application No. PCT/US2017/067370, which is a continuation of application No. 15/070,220, which is a continuation of application No. 29/539,822.
- (51) **LOC (13) Cl.** **07-02**
- (52) **U.S. Cl.**
USPC **D7/403**
- (58) **Field of Classification Search**
USPC D7/323, 331, 402-403, 332-337, 363, D7/346
CPC A47J 33/00; A47J 37/07-0727; A47J 37/0781; A47J 37/0786
See application file for complete search history.

References Cited

U.S. PATENT DOCUMENTS

639,099 A 12/1899 Schoregge
1,300,710 A 4/1919 Edwards



US D921,427 S

6,125,836	A	10/2000	Felton	D724,714	S	3/2015	Benson et al.	
6,182,560	B1	2/2001	Andress	D724,886	S	3/2015	Chung	
6,189,528	B1	2/2001	Oliver	D736,026	S	8/2015	Kam	
6,209,533	B1	4/2001	Ganard	D738,155	S	9/2015	Chung	
D447,913	S	9/2001	Cragg	D739,170	S	9/2015	Chung	
D456,202	S	4/2002	McNair	D744,775	S	12/2015	Yang	
D456,203	S	4/2002	Peloquin	D767,936	S	10/2016	Yang	
6,397,731	B1	6/2002	Gillespie et al.	D780,502	S	3/2017	Gloger	
D460,312	S	7/2002	Fry et al.	D786,014	S	5/2017	Knight	
D460,658	S	7/2002	Wu	D796,258	S	9/2017	Streckfus	
6,422,134	B1	7/2002	Barksdale	D798,645	S	10/2017	Lira-Ninez	
6,439,220	B1	8/2002	Johnson	D798,646	S	10/2017	Lira-Ninez	
D466,358	S	12/2002	Eisinger et al.	D799,259	S	10/2017	Lira-Ninez	
6,557,545	B2	5/2003	Williams	D806,463	S	1/2018	Gloger	
6,561,082	B2	5/2003	Gillespie et al.	D814,226	S	4/2018	Mansueto et al.	
D480,595	S	10/2003	Pai	D817,091	S	5/2018	Colston	
D485,116	S	1/2004	Kwok	D817,684	S	5/2018	Mansueto et al.	
D494,406	S	8/2004	Zhang	D820,628	S	6/2018	Zhou	
D496,821	S	10/2004	Pai	D825,990	S	8/2018	Colston	
6,810,792	B1	11/2004	Knight	D827,368	S	9/2018	Colston	
D504,274	S	4/2005	Ceccon	D827,370	S	9/2018	Colston	
D504,798	S	5/2005	Nipke et al.	D827,371	S	9/2018	Colston	
D505,824	S	6/2005	Nipke et al.	D829,049	S	9/2018	Measom et al.	
6,913,011	B1	7/2005	Snider	D829,050	S	9/2018	Measom et al.	
D507,927	S	8/2005	Nipke et al.	D832,046	S	10/2018	Chung	
D508,364	S	8/2005	Nipke et al.	D835,448	S	12/2018	Mansueto et al.	
D508,365	S	8/2005	Nipke et al.	D839,047	S	1/2019	Colston	
6,935,327	B1	8/2005	Williams et al.	10,213,051	B2	2/2019	Colston et al.	
D510,835	S	10/2005	Pai	D842,637	S *	3/2019	Mansueto	D7/334
D510,838	S	10/2005	Nipke et al.	D844,361	S *	4/2019	Chung	D7/334
D511,924	S	11/2005	Chung	D853,786	S	7/2019	Colston et al.	
D512,263	S	12/2005	Chung	D871,821	S	1/2020	Boltz et al.	
D516,366	S	3/2006	Nipke et al.	2002/0020405	A1	2/2002	Coleman	
D526,831	S	8/2006	Chung	2002/0078944	A1	6/2002	Cozzolino et al.	
D526,833	S	8/2006	Chung	2003/0019491	A1	1/2003	Bossler	
D526,834	S	8/2006	Chung	2003/0019492	A1	1/2003	Williams	
D528,847	S *	9/2006	Chung	2003/0029324	A1	2/2003	Gillespie et al.	
D534,755	S	1/2007	Knight	2005/0204934	A1	9/2005	Robertson	
D535,522	S	1/2007	Seager	2005/0217659	A1	10/2005	McClenahan	
7,156,087	B1	1/2007	Churchhill	2006/0016447	A1	1/2006	Meyer	
D562,619	S	2/2008	Henley	2006/0042475	A1	3/2006	Craig	
D563,148	S	3/2008	Henry	2006/0137676	A1	6/2006	Barker	
D572,072	S	7/2008	Chung	2007/0163568	A1	7/2007	Murray	
D576,833	S	9/2008	Mansell	2007/0175467	A1	8/2007	Liu	
D579,260	S	10/2008	Zischke	2007/0277805	A1	12/2007	Ho	
D583,185	S *	12/2008	Rutter	2008/0011285	A1	1/2008	Milligan	
D592,442	S	5/2009	Rutter et al.	2008/0098906	A1 *	5/2008	Davis	A23B 4/044 99/482
7,624,675	B2	12/2009	Galdamez					
D609,959	S	2/2010	Chen	2009/0139151	A1	6/2009	Quam et al.	
D618,037	S	6/2010	Chung	2009/0199839	A1	8/2009	Hulsey	
D618,483	S	6/2010	Chung	2010/0024797	A1	2/2010	Tsung	
7,753,047	B1	7/2010	Trammell	2010/0059038	A1	3/2010	Ho	
D623,003	S	9/2010	Chung	2010/0083947	A1	4/2010	Guillory	
D623,888	S	9/2010	Chung	2011/0079209	A1	4/2011	Bruno et al.	
7,798,057	B2	9/2010	Ritterling	2011/0079210	A1	4/2011	Jackovitch	
D631,279	S	1/2011	Davis	2011/0083659	A1	4/2011	Grasso et al.	
7,861,705	B2	1/2011	Hulsey	2012/0192726	A1	8/2012	Clearman	
D638,654	S	5/2011	Plott	2012/0216790	A1	8/2012	Hopkins	
7,984,709	B1	7/2011	Brynes	2012/0266857	A1 *	10/2012	Lin	A47J 37/0786 126/25 R
D648,975	S *	11/2011	Chiang					
D653,494	S	2/2012	Chung	2012/0288596	A1	11/2012	Holdo Baggott	
D657,181	S	4/2012	Chung	2013/0061765	A1	3/2013	Reinhart	
D660,646	S	5/2012	Simms	2013/0112088	A1	5/2013	May	
D668,097	S *	10/2012	Simms, II	2013/0206132	A1	8/2013	Simms, II	
8,381,712	B1	2/2013	Simms	2013/0292520	A1	11/2013	Alden	
D680,794	S	4/2013	Chung	2013/0298894	A1	11/2013	Kleinsasser	
D680,795	S	4/2013	Chung	2014/0090634	A1	4/2014	Li	
D680,796	S	4/2013	Chung	2014/0261012	A1	9/2014	Perez, Jr. et al.	
D687,667	S	8/2013	Chien	2015/0047512	A1	2/2015	Marra	
8,602,017	B2	12/2013	May et al.	2015/0047515	A1	2/2015	Jeness	
D708,002	S	7/2014	Cruccolini	2015/0047625	A1	2/2015	Weil	
D709,315	S	7/2014	Witzel et al.	2015/0079250	A1	3/2015	Ahmed	
D714,090	S *	9/2014	Harper	2015/0144238	A1	5/2015	Traeger	
8,870,163	B2	10/2014	Regan	2015/0265099	A1	9/2015	Coffee	
D717,094	S	11/2014	Chung	2015/0305559	A1	10/2015	Chung	
D717,095	S	11/2014	Chung	2016/0345739	A1	12/2016	McCullough	
D717,096	S	11/2014	Chung	2017/0020336	A1	1/2017	Cole et al.	
D717,098	S	11/2014	Chung	2017/0065124	A1	3/2017	Colston	
8,915,238	B2	12/2014	Goeken	2017/0067649	A1	3/2017	Colston	

2017/0196400 A1 7/2017 Colston
 2018/0296031 A1 10/2018 Terrell et al.
 2018/0368618 A1 12/2018 Measom et al.
 2019/0150663 A1 5/2019 Colston et al.

FOREIGN PATENT DOCUMENTS

CN 1669509 A 9/2005
 CN 104352179 2/2015
 FR 2132681 A1 11/1972
 JP 59-174411 U 11/1984

OTHER PUBLICATIONS

Non-Final Action mailed for U.S. Appl. No. 15/070,225 dated Feb. 23, 2018.
 Non-Final Office Action for U.S. Appl. No. 29/539,822 dated Dec. 28, 2017.
 Traeger Timberline 1300, by John R. Delaney, PCMag [online], published Aug. 4, 2017, [retrieved on Dec. 21, 2017]. Retrieved from the Internet, URL: <https://www.pcmag.com/review/355354/traeger-timberline-1300>.
 Non-Final Action mailed for U.S. Appl. No. 15/070,220 dated Sep. 6, 2018.
 Notice of Allowance mailed for U.S. Appl. No. 15/070,225 dated Oct. 10, 2018.
 International Search Report for application No. PCT/US2016/051060 dated Dec. 8, 2016.
 International Search Report for application No. PCT/US2016/051066 dated Dec. 8, 2016.
 Restriction Requirement for U.S. Appl. No. 14/906,526 dated Sep. 12, 2017.
 International Search Report and Written Opinion for application no. PCT/US2015/046349 dated Dec. 28, 2015.
 Combined Search Examination Report for application No. GB1604584.1 dated Jul. 27, 2016.
 Amazon.com Inc., 2014, "The Original Bar-Be Quick Build in Grill & Bake + Free pack of Beechwood smoking chips", amazon.co.uk, [online], Available from <https://www.amazon.co.uk/Original-Bar-Be-Quick-Build-Beechwood-smoking/dp/B00IGUPK4C> [Accessed Jul. 22, 2015].
 Non-Final Office Action for U.S. Appl. No. 14/906,526 dated Dec. 11, 2017.
 Non-Final Office Action for U.S. Appl. No. 29/539,825 dated Dec. 28, 2017.
 Australian Office Action for AU Application No. 2017374059, dated May 24, 2019, 8 pages.
 Canadian Office Action Mailed for CA Application No. 3008643, dated Feb. 28, 2019, 4 pages.
 European Search Report and Search Opinion Received for EP Application No. 16845167, dated Jan. 31, 2019, 6 pages.
 European Search Report and Search Opinion Received for EP Application No. 16845165, dated Jan. 31, 2019, 6 pages.
 Ex Parte Quayle Action for U.S. Appl. No. 29/539,822, dated Jun. 13, 2018 5 pages.
 Final Rejection for U.S. Appl. No. 15/070,220, dated Feb. 1, 2019, 11 pages.

International Preliminary Report on Patentability received for PCT Patent Application No. PCT/US16/51060, dated Oct. 9, 2017, 55 pages.
 International Search Report for application No. PCT/US2016/051060 dated Dec. 8, 2016, 3 pages.
 International Search Report for application No. PCT/US2016/051066 dated Dec. 8, 2016, 3 pages.
 International Search Report for International Application No. PCT/US2017/067370, dated Apr. 16, 2018, 5 pages.
 International Written Opinion for International Application No. PCT/US2017/067370, dated Apr. 16, 2018, 9 pages.
 International Written Opinion for International Application No. PCT/US16/51060, dated Dec. 8, 2016, 10 pages.
 International Written Opinion for International Application No. PCT/US16/51066, dated Dec. 8, 2016, 10 pages.
 Non-Final Office Action for U.S. Appl. No. 29/539,825 dated Dec. 28, 2017, 12 pages.
 Non-Final Rejection for U.S. Appl. No. 15/070,220, dated Jun. 21, 2019 12 pages.
 Non-Final Rejection for U.S. Appl. No. 15/070,220, dated Sep. 6, 2018 13 pages.
 Non-Final Rejection for U.S. Appl. No. 29/539,822, dated Dec. 28, 2017, 10 pages.
 Notice of Allowance for U.S. Appl. No. 29/539,822, dated Sep. 4, 2018 8 pages.
 Supplementary European search report dated Jan. 23, 2019 for EP Application No. 16845167, 6 pages.
 Supplementary European search report dated Jan. 31, 2019 for EP Application No. 16845165, 5 pages.
 Supplementary European search report dated Jun. 27, 2019 for EP Application No. 17889301, 9 pages.

* cited by examiner

Primary Examiner — Brett Miller
 (74) Attorney, Agent, or Firm — TraskBritt

(57) CLAIM

The ornamental design for grill sawhorse legs, as shown and described.

DESCRIPTION

FIG. 1 is a top front left perspective view of my new design for grill sawhorse legs as shown in an exemplary use environment;
 FIG. 2 is a top front left perspective view thereof;
 FIG. 3 is an elevated front view thereof;
 FIG. 4 is an elevated rear view thereof;
 FIG. 5 is a top plan view thereof;
 FIG. 6 is a bottom plan view thereof;
 FIG. 7 is an elevated right side view thereof; and,
 FIG. 8 is an elevated left side view thereof.
 The broken lines in FIGS. 1 through 8 illustrate unclaimed subject matter, and form no part of the claimed design.

1 Claim, 5 Drawing Sheets

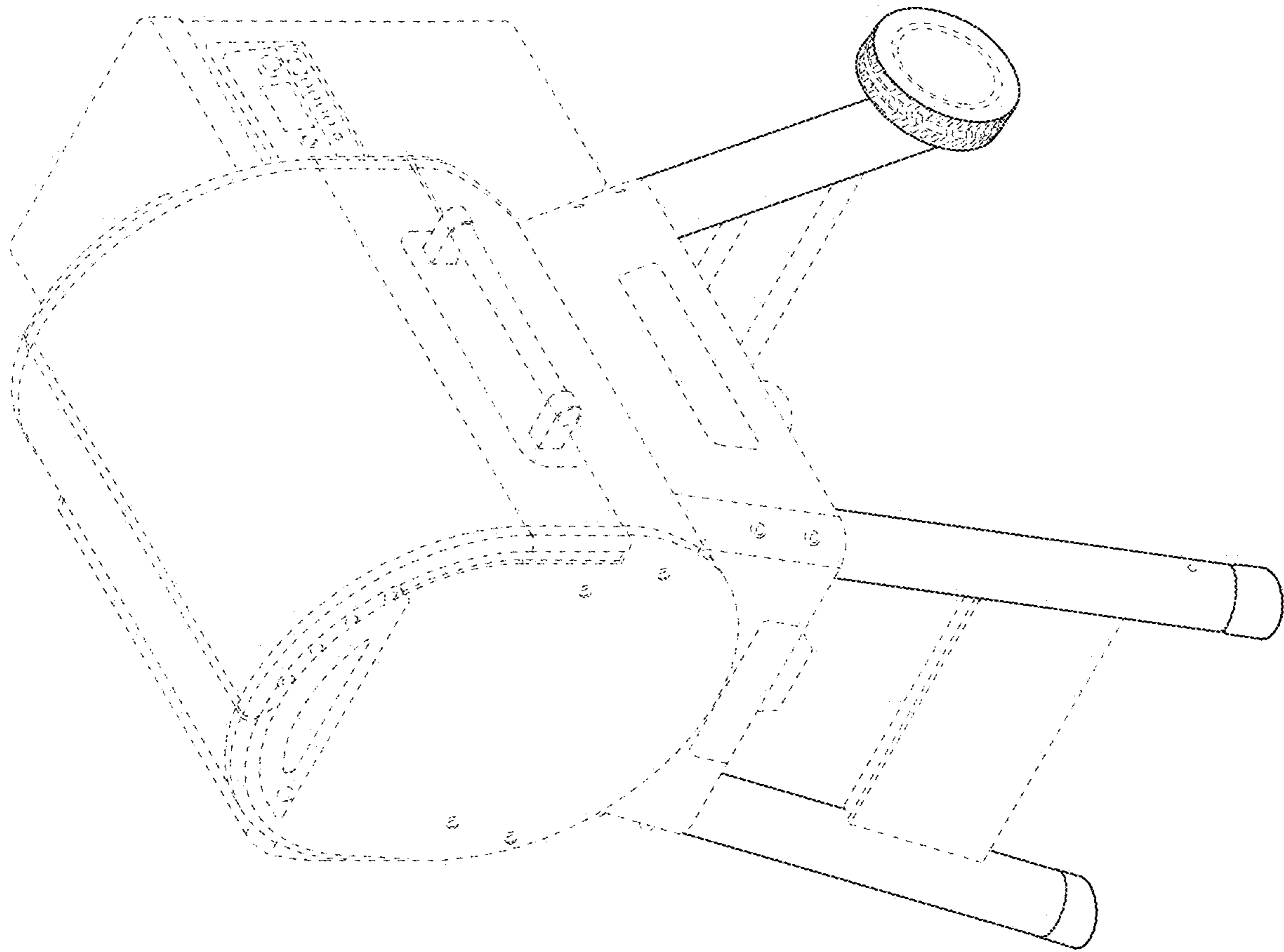


FIG. 1

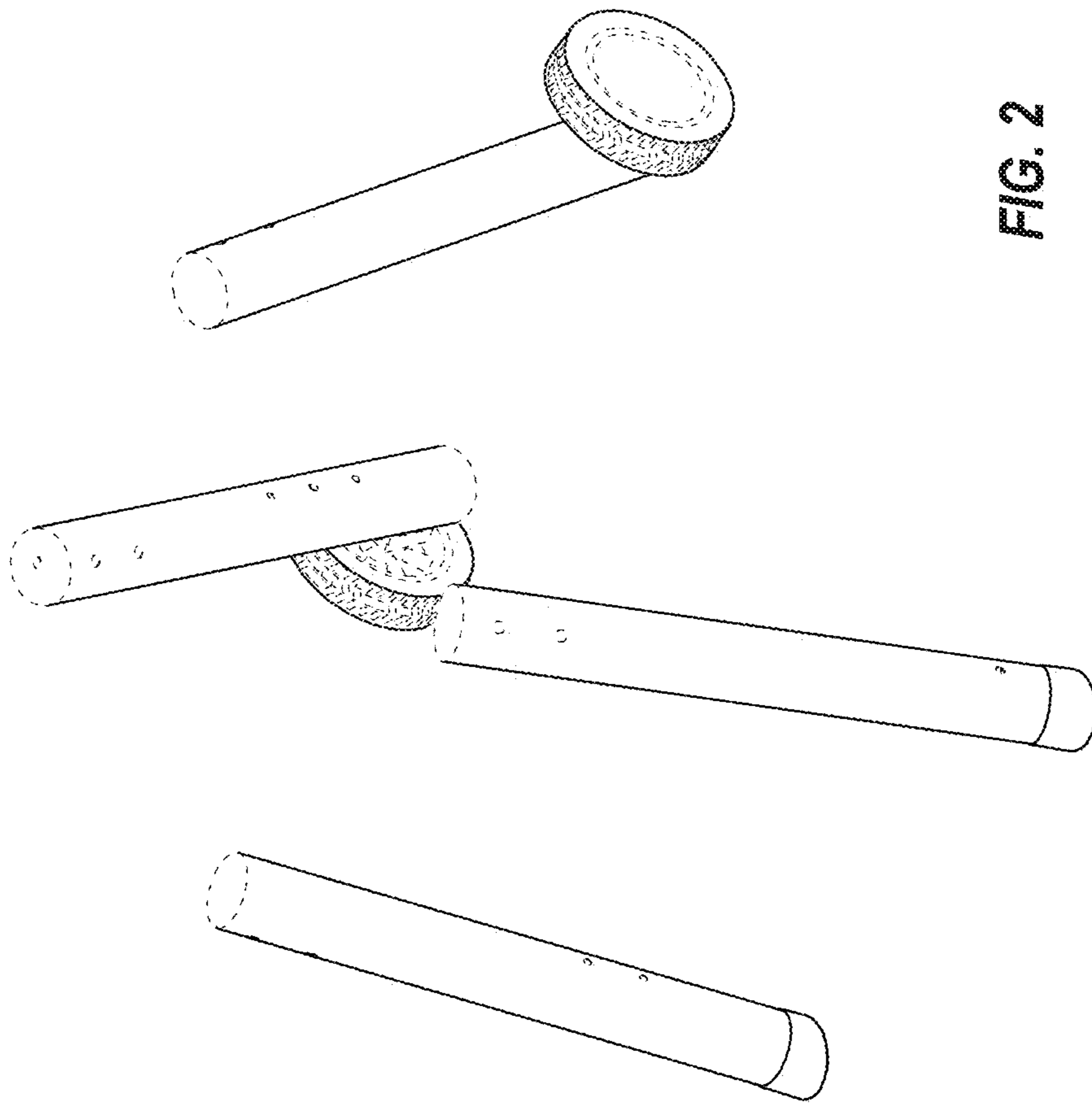


FIG. 2

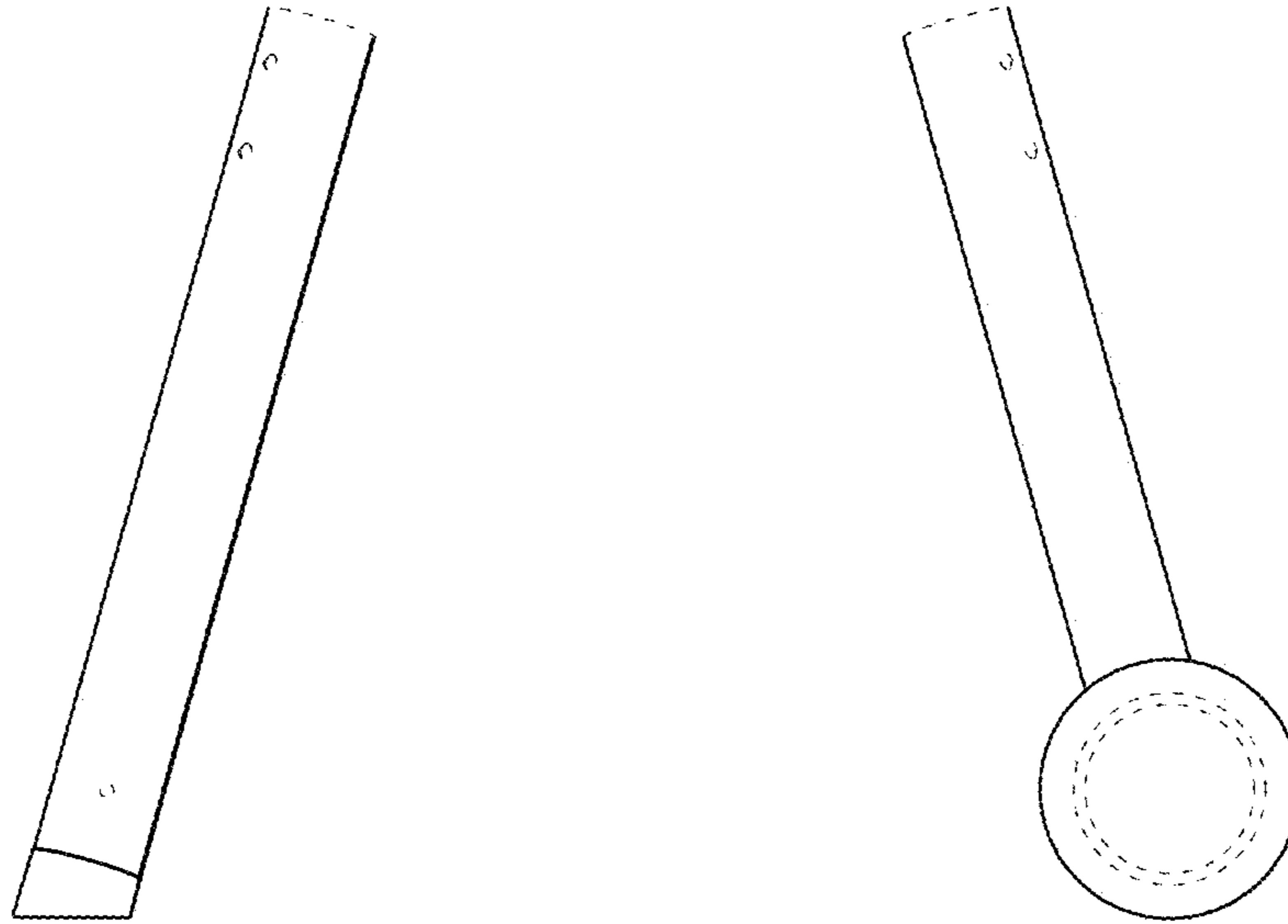


FIG. 3

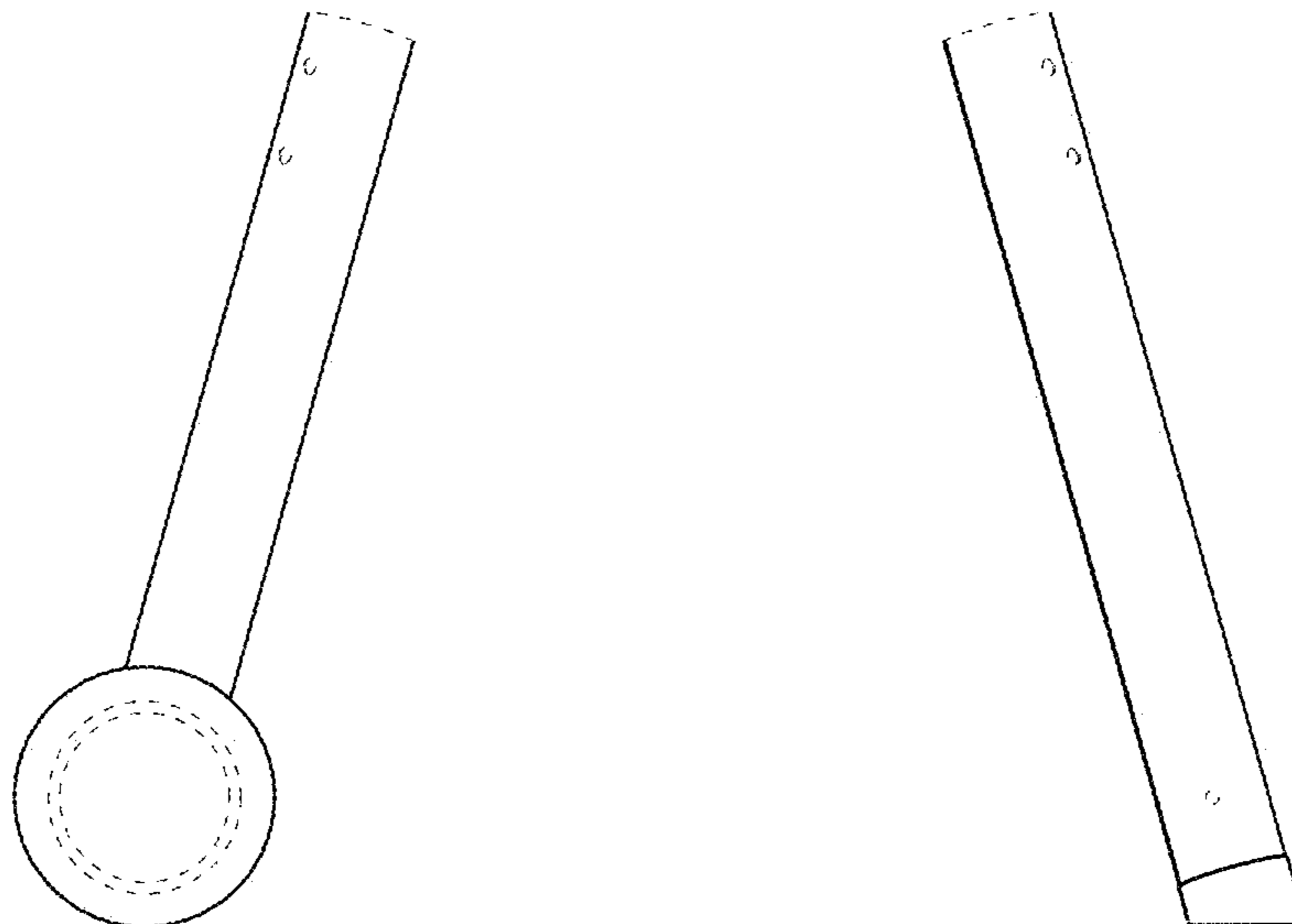


FIG. 4

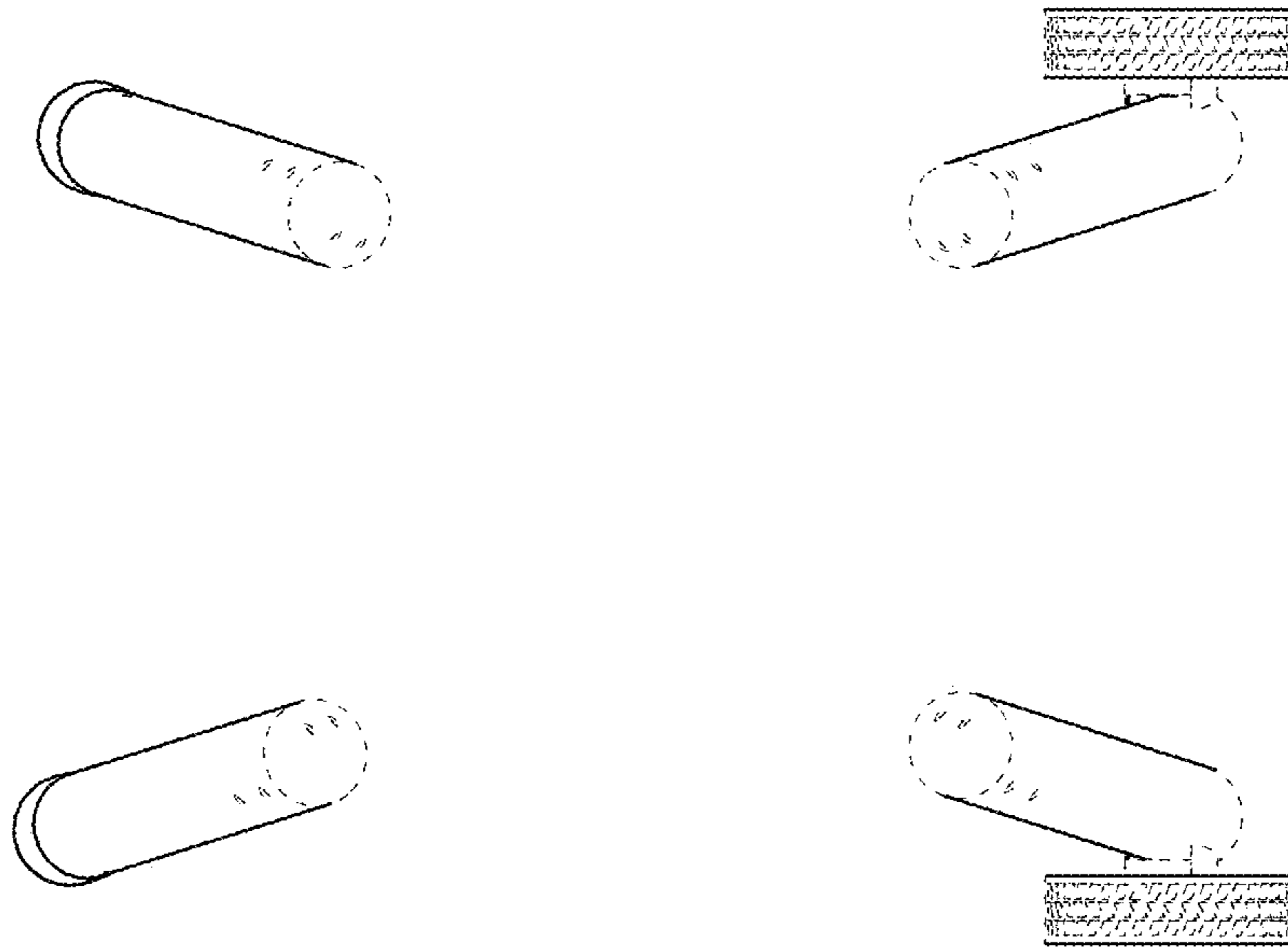


FIG. 5

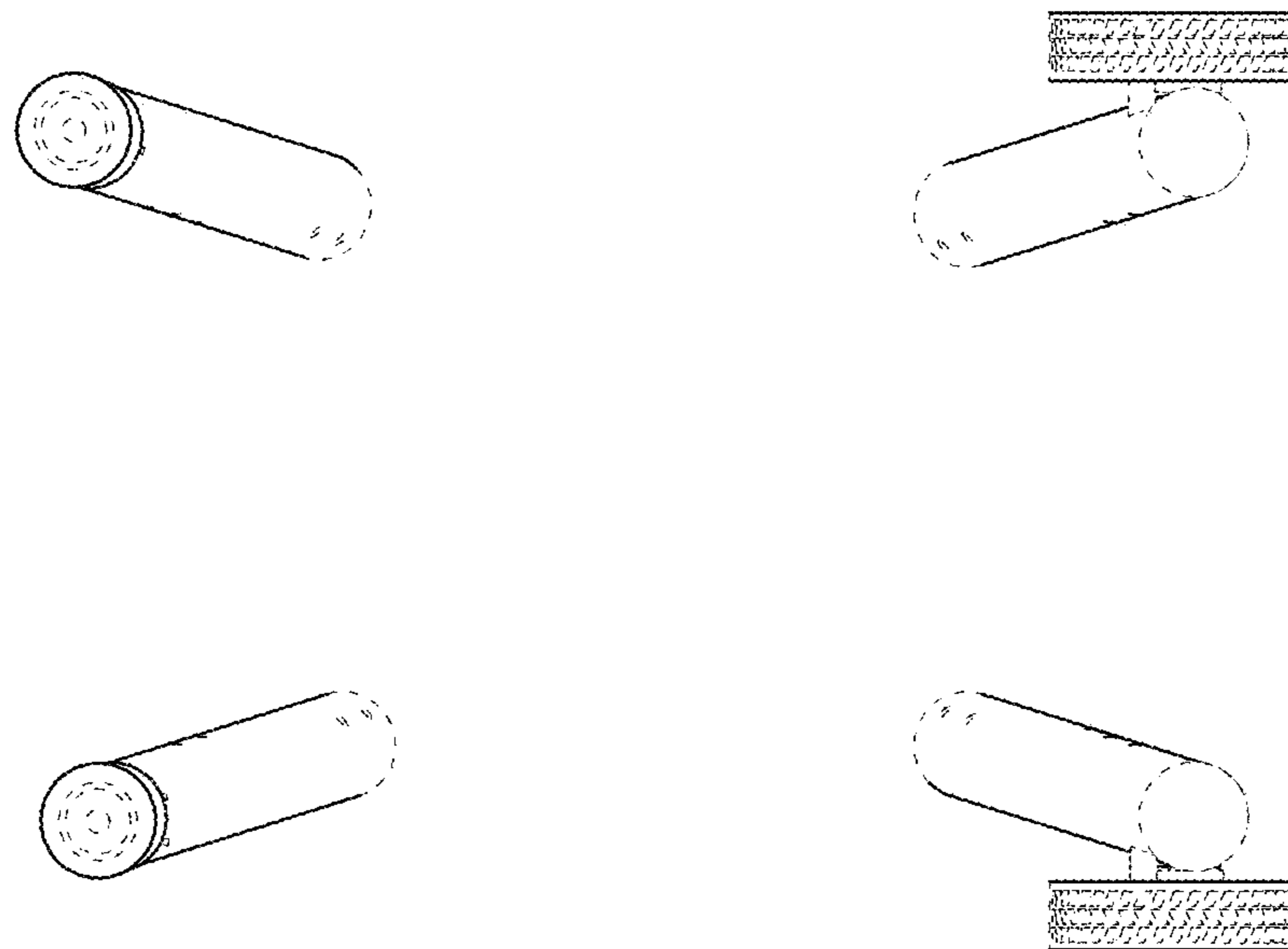


FIG. 6

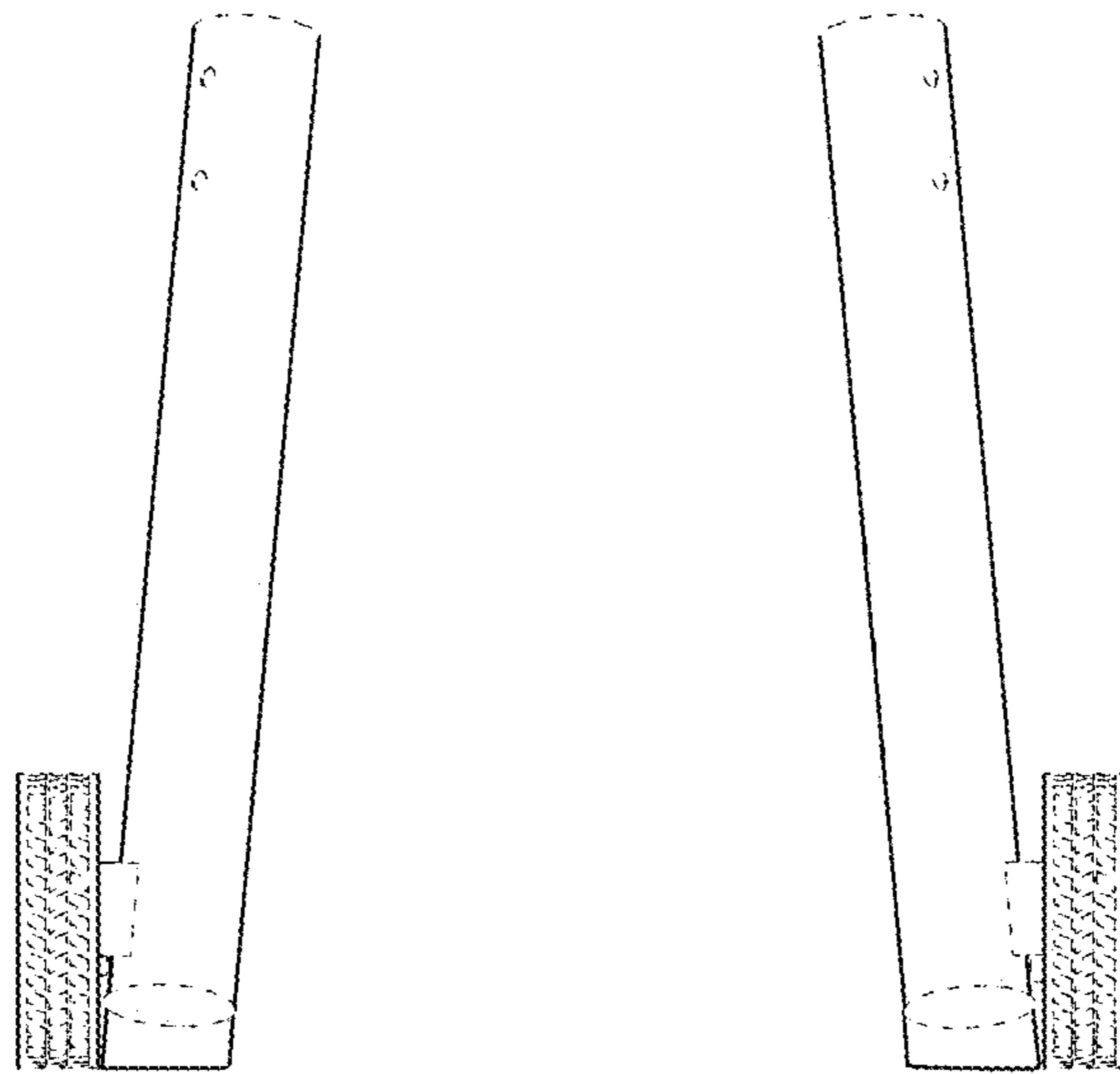


FIG. 7

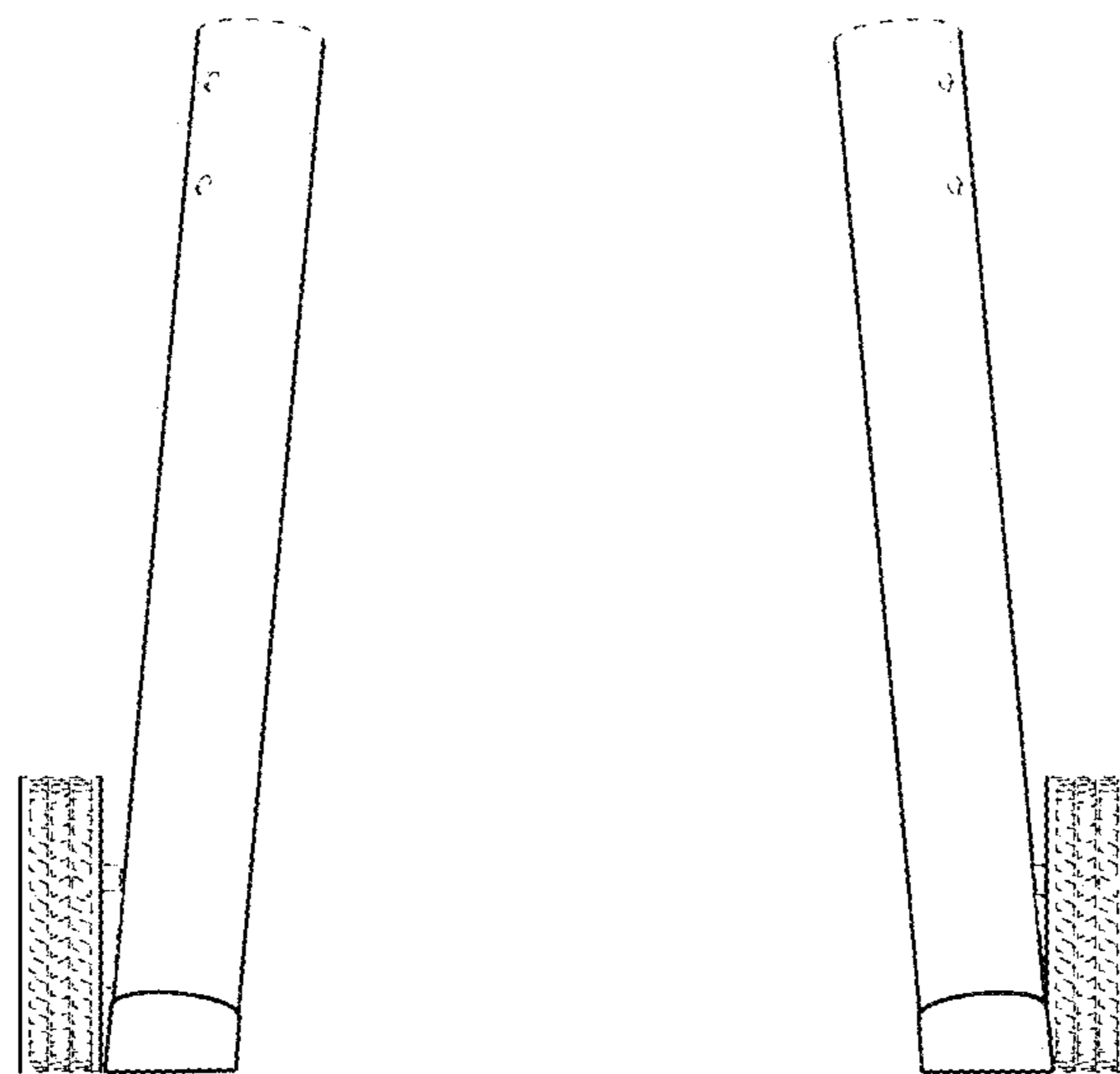


FIG. 8