



US00D921425S

(12) **United States Design Patent**
Estabrooks

(10) **Patent No.:** **US D921,425 S**

(45) **Date of Patent:** **** Jun. 8, 2021**

(54) **FLATWARE HANDLE**

(71) Applicant: **Lifetime Brands, Inc.**, Garden City,
NY (US)

(72) Inventor: **Donald N. Estabrooks**, Salisbury, MA
(US)

(73) Assignee: **Lifetime Brands, Inc.**, Garden City,
NY (US)

(**) Term: **15 Years**

(21) Appl. No.: **29/724,918**

(22) Filed: **Feb. 20, 2020**

(51) **LOC (13) Cl.** **07-03**

(52) **U.S. Cl.**
USPC **D7/401.2; D7/653**

(58) **Field of Classification Search**
USPC D7/368, 401.2, 642-645, 653-664, 669,
D7/675-677, 683, 688-689, 691;
D8/107, 300-301; D22/117-118
CPC ... A01D 9/02; A01D 9/04; A01D 9/06; A47G
21/00; A47G 21/004; A47G 21/005;
A47G 21/02; A47G 21/023; A47G 21/04;
A47G 21/06; A47G 21/08; A47J 43/28;
A47J 43/281; A47J 43/282; A61F 13/10;
A61J 7/0023; B25G 1/00; B25G 1/01;
B25G 1/02; B25G 3/00; B65D 75/56;
B65D 75/563; B65D 75/566; B67B 7/00;
B67B 7/724; B67B 7/73

See application file for complete search history.

(56) **References Cited**

U.S. PATENT DOCUMENTS

D39,509 S * 9/1908 Habensack D7/653
D39,738 S * 1/1909 Dowse D7/653

D41,966 S * 12/1911 Ittig D7/653
D72,999 S * 7/1927 Kirk D7/653
D96,074 S * 6/1935 Woodward D7/653
D252,606 S * 8/1979 Seibel D7/653
D422,852 S * 4/2000 Junko D7/662
D423,285 S * 4/2000 Toffolon D7/401.2
D484,368 S * 12/2003 Ito D7/653
D491,770 S * 6/2004 Strange D7/653
D593,381 S * 6/2009 Richmond D7/653
D647,363 S * 10/2011 Shane-Schuldt D7/401.2
D705,600 S * 5/2014 Shane-Schuldt D7/401.2

* cited by examiner

Primary Examiner — Ricky Pham

(74) *Attorney, Agent, or Firm* — Tutunjian & Bitetto, P.C.

(57) **CLAIM**

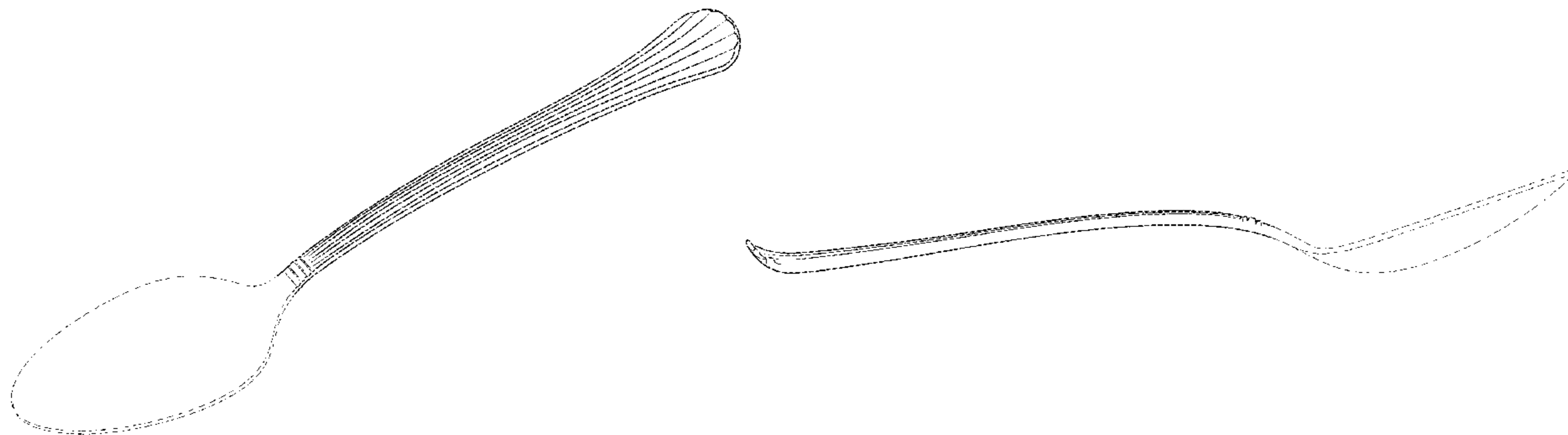
The ornamental design for a flatware handle, as shown and described.

DESCRIPTION

FIG. 1 is a top perspective view of the flatware handle showing my new design;
FIG. 2 is a top view thereof;
FIG. 3 is a right side view thereof;
FIG. 4 is a bottom view thereof;
FIG. 5 is a left side view thereof;
FIG. 6 is a front view thereof; and,
FIG. 7 is a rear view thereof.

The broken lines in the drawings show environmental structure and do not form any part of the claimed design.

1 Claim, 3 Drawing Sheets



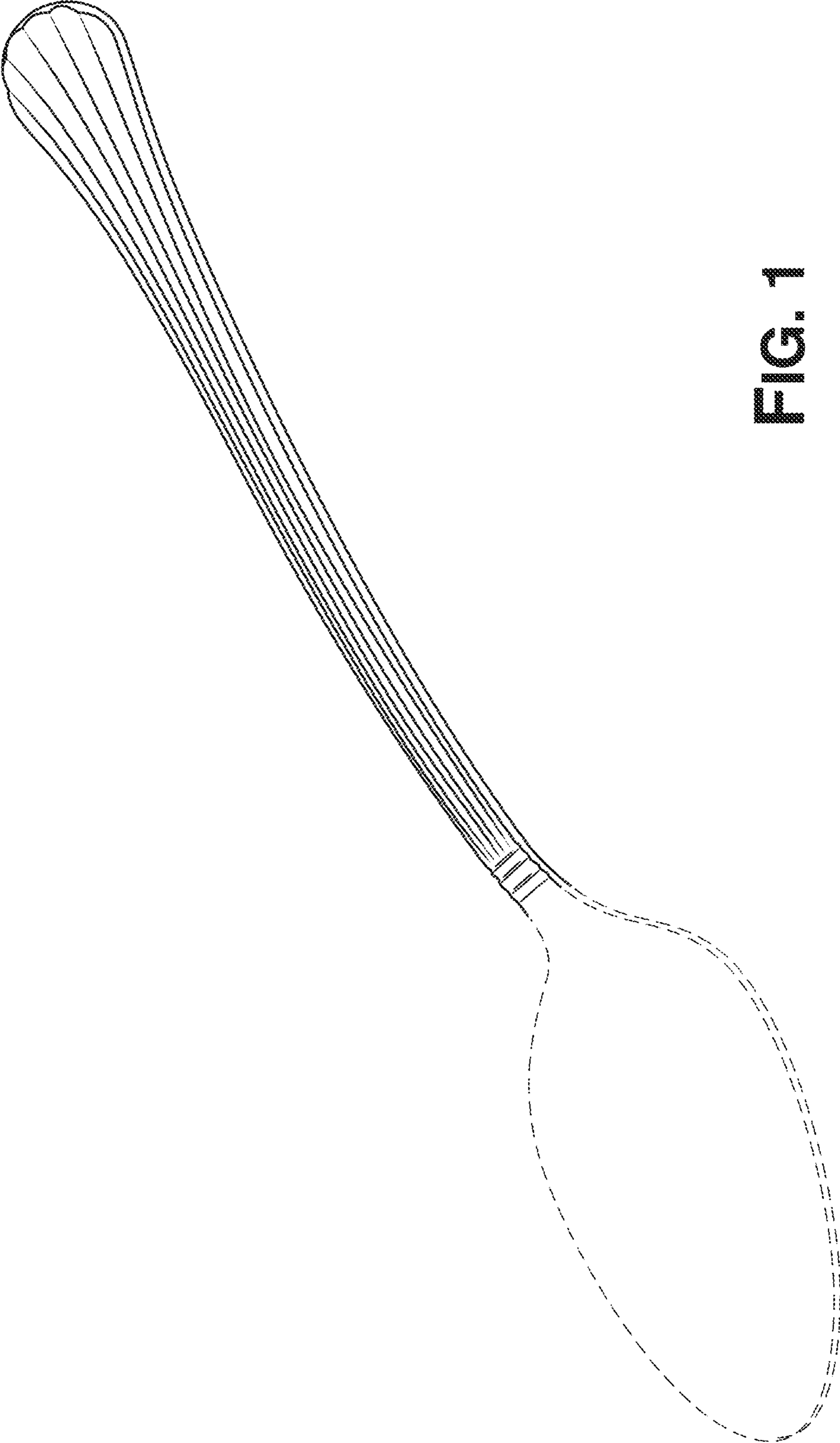


FIG. 1

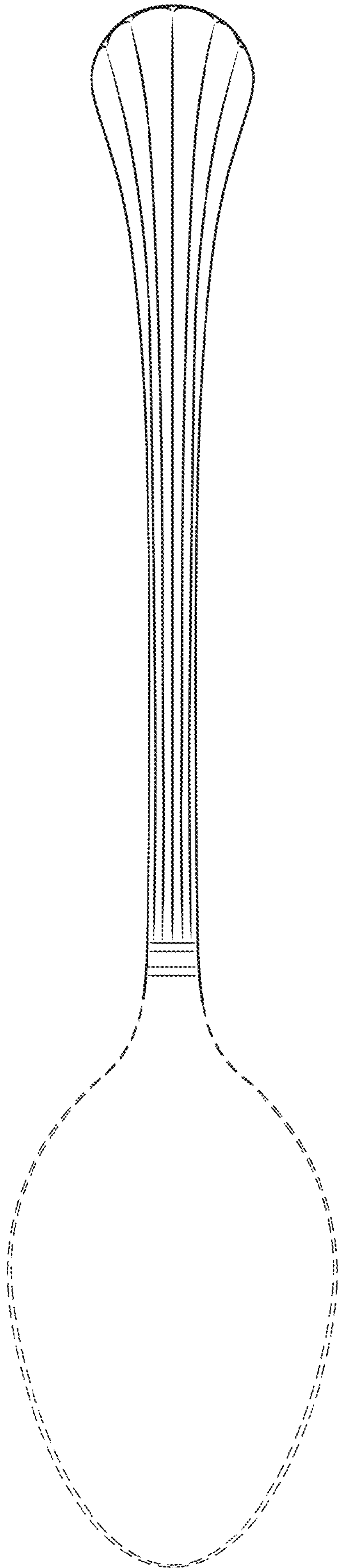


FIG. 2

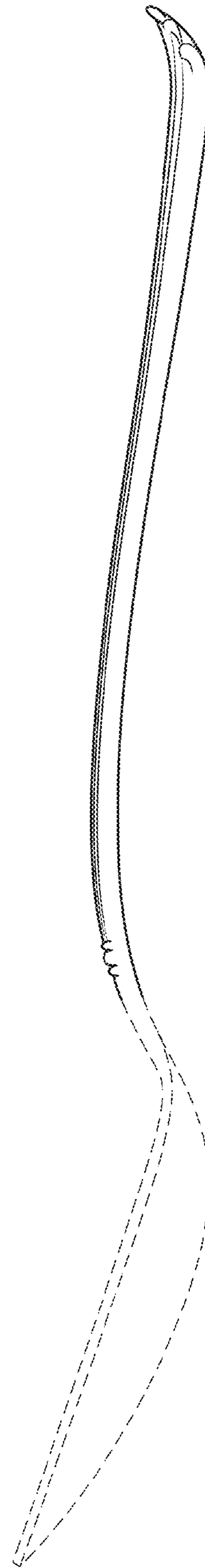


FIG. 3

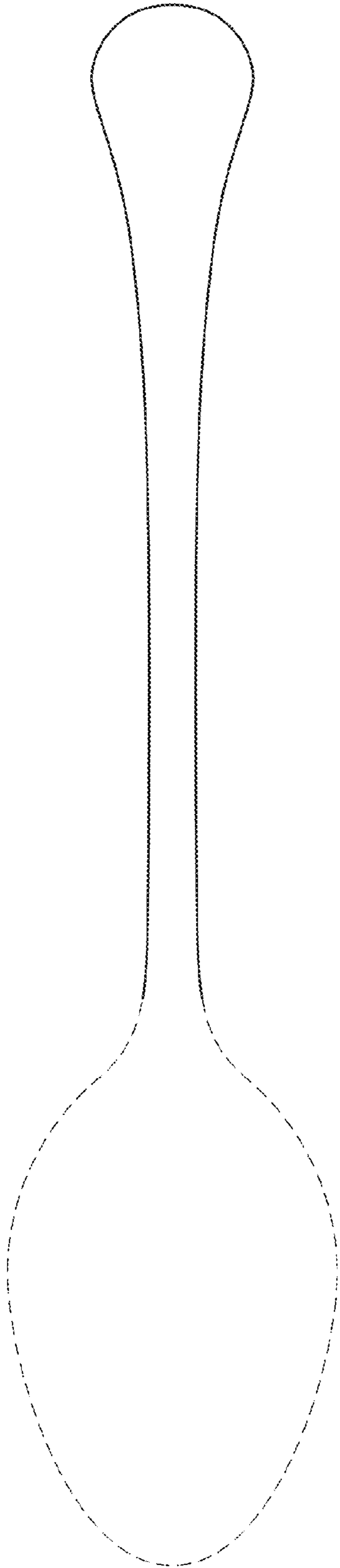


FIG. 4

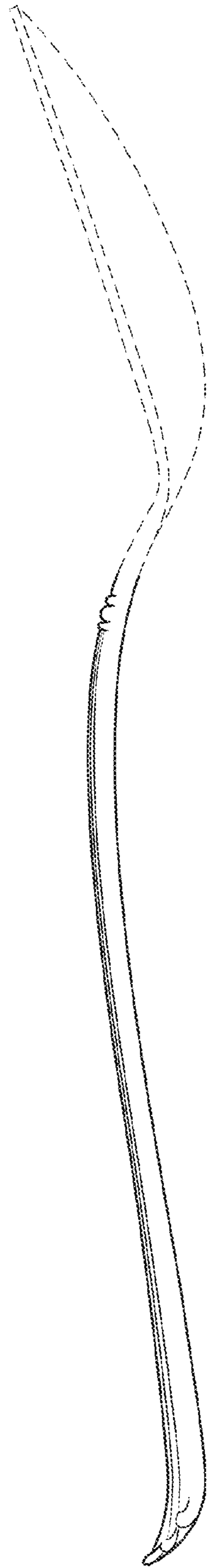


FIG. 5



FIG. 7

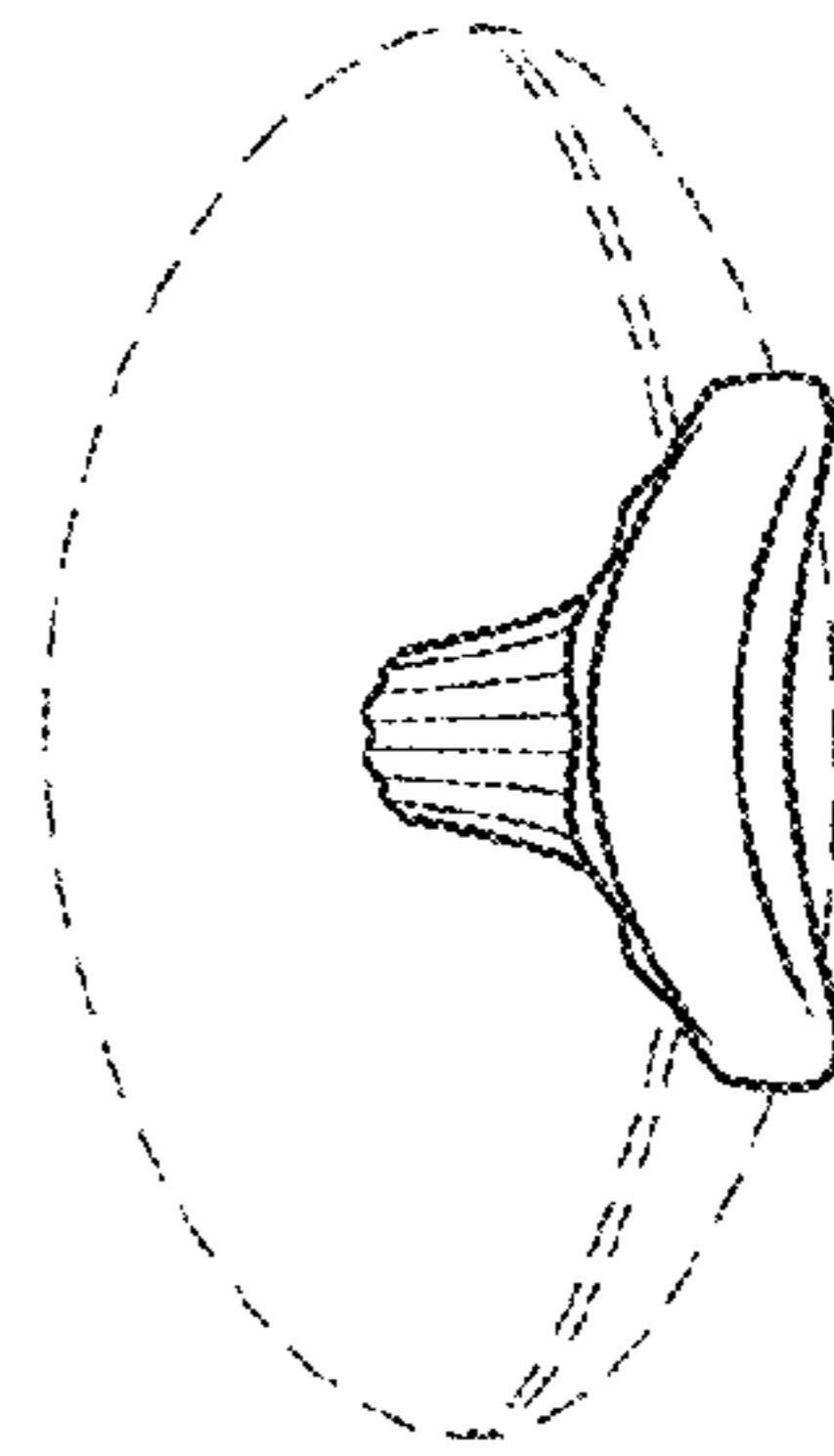


FIG. 6