



US00D921423S

(12) **United States Design Patent** (10) **Patent No.:** **US D921,423 S**
Horgan et al. (45) **Date of Patent:** **** Jun. 8, 2021**

(54) **LID FOR A CONTAINER**

(71) Applicant: **MILTON INNOVATIONS LIMITED**,
Wellington (NZ)

(72) Inventors: **Samuel Thomas Horgan**, Auckland
(NZ); **Jason Taylor Wood**, Wellington
(NZ)

(73) Assignee: **MILTON INNOVATIONS LIMITED**,
Wellington (NZ)

(**) Term: **15 Years**

(21) Appl. No.: **29/703,833**

(22) Filed: **Aug. 29, 2019**

(51) **LOC (13) Cl.** **07-99**

(52) **U.S. Cl.**
USPC **D7/392.1; D9/447**

(58) **Field of Classification Search**
USPC D3/202; D6/542, 550; D7/509–511,
D7/550.1, 601, 619.1, 624.1, 635, 354,
D7/387, 391, 392, 392.1, 396.1, 396.2,
D7/396.6, 612; D9/716, 719, 529, 434,
D9/435, 436, 438, 439, 440, 445, 447,
D9/448, 452, 454, 455, 763, 772, 503,
D9/516, 549, 417, 683; D23/206, 208,
D23/209, 210, 249, 259, 260, 261, 303;
D28/91.1

CPC .. B65D 43/0212; B65D 43/0218; B65D 1/36;
B65D 51/28; B65D 51/24; B65D
2543/00046; B65D 2543/00027; B65D
2543/00092; B65D 2543/00296; B65D
2543/00351; B65D 2543/00537; B65D
2543/00731; B65D 47/2018; B65D 47/06;
A47G 19/00; A47G 19/02; A47G 21/00;
A47G 21/06

See application file for complete search history.

(56) **References Cited**

U.S. PATENT DOCUMENTS

3,907,179 A	9/1975	Pehr et al.	
4,333,583 A	6/1982	Montemarano	
D299,010 S *	12/1988	Wall	D9/435
5,390,810 A	2/1995	Stroble et al.	
D402,556 S *	12/1998	Frye	D9/447

(Continued)

FOREIGN PATENT DOCUMENTS

CA	2169339C A1	5/1999
NO	2018096503 A1	5/2018
WO	2018089426 A1	5/2018

OTHER PUBLICATIONS

Milton Wide Mouth Drink Lid: Announced Dec. 10, 2019 [online].
Site visited [Sep. 3, 2020]. Available from Internet URL: <https://www.knooknz.com/post/knook-8-milton-innovations>.*

(Continued)

Primary Examiner — Catherine S Posthauer
(74) *Attorney, Agent, or Firm* — JCIP; Joseph G. Chu;
Jeremy I. Maynard

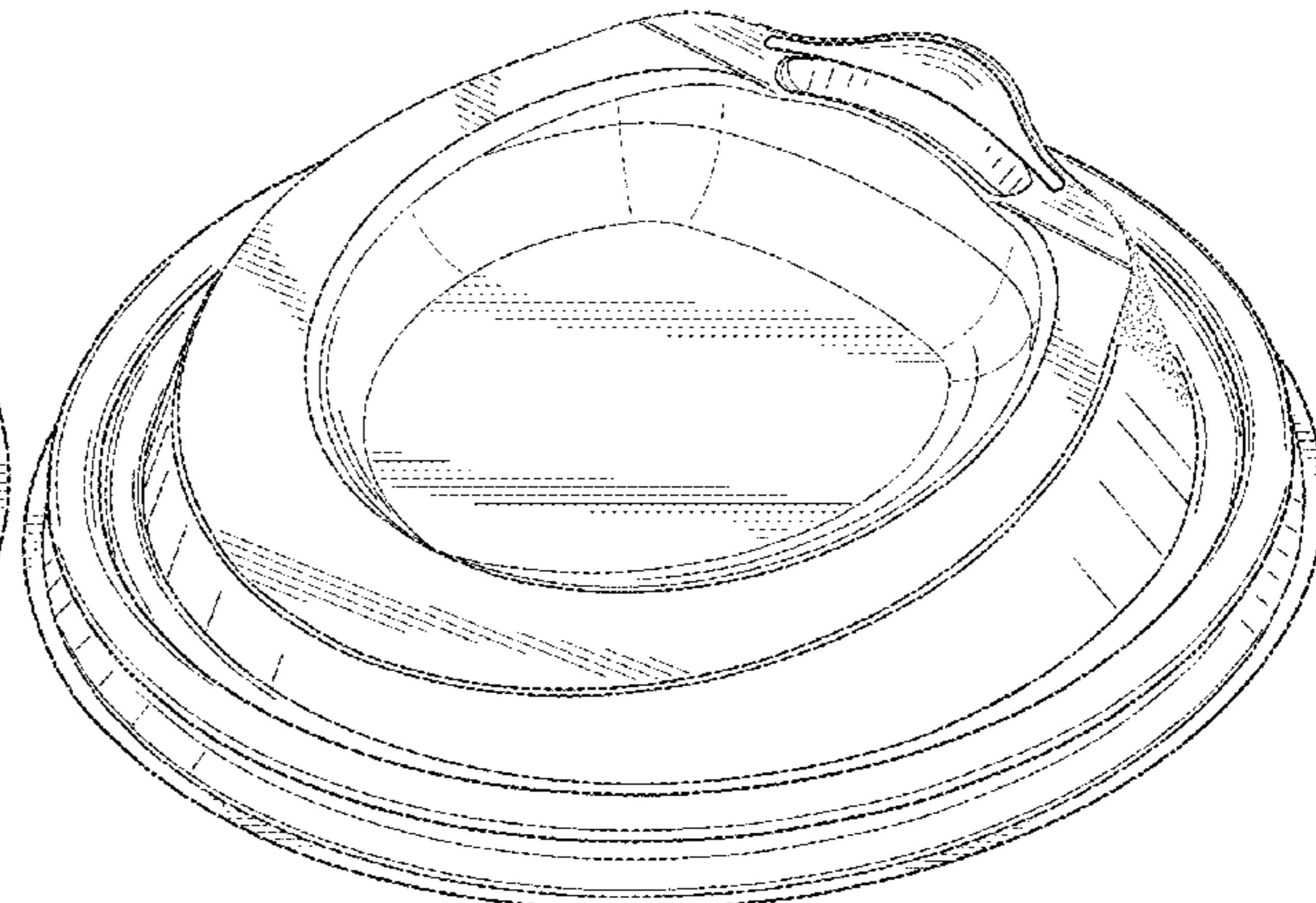
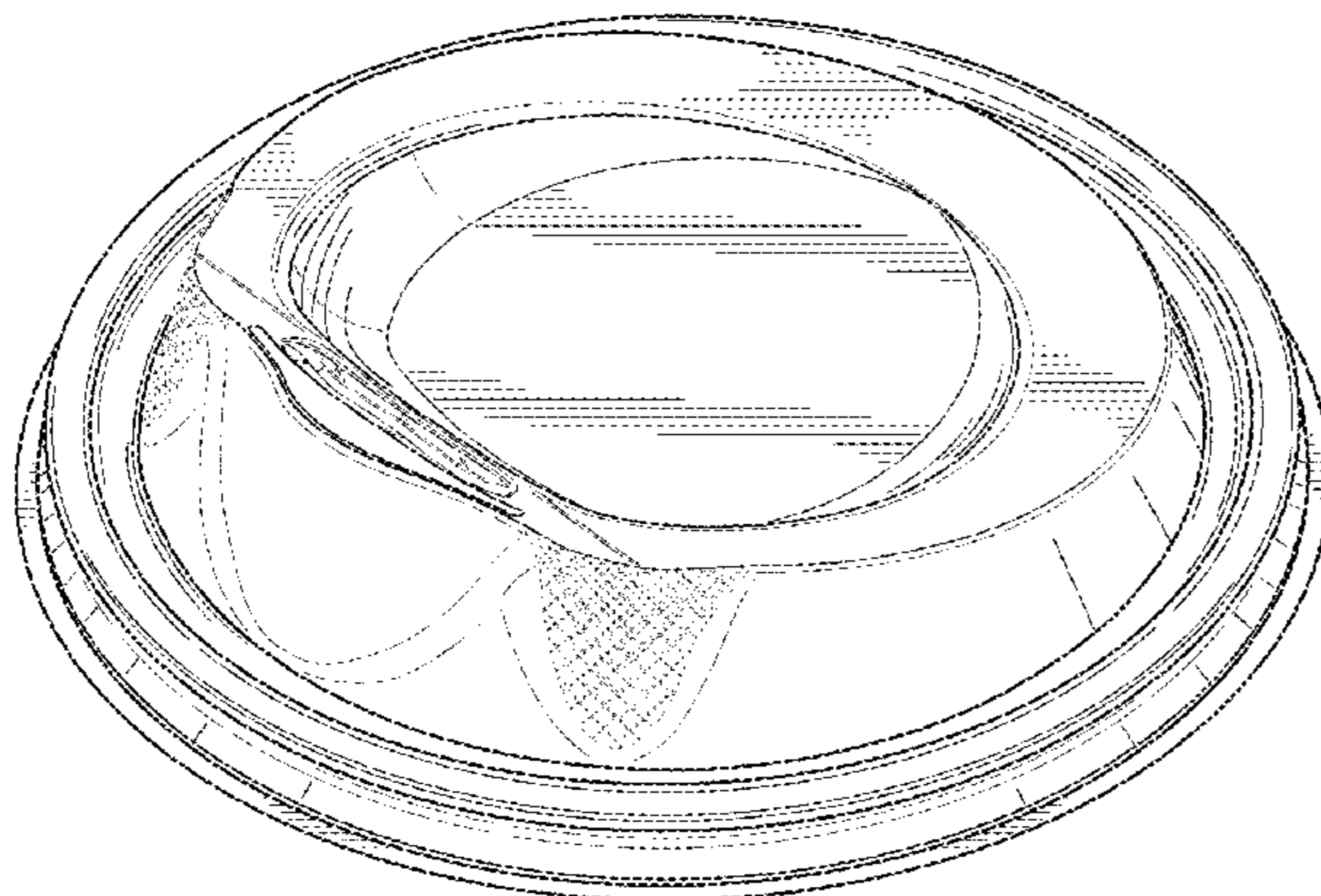
(57) **CLAIM**

The ornamental design for a lid for a container, as shown and described.

DESCRIPTION

FIG. 1 is a front perspective view of a lid for a container;
FIG. 2 is a rear perspective view of the lid for a container;
FIG. 3 is a front view of the lid for a container;
FIG. 4 is a rear view of the lid for a container;
FIG. 5 is a right side view of the lid for a container;
FIG. 6 is a left side view of the lid for a container;
FIG. 7 is a top view of the lid for a container; and,
FIG. 8 is a bottom view of the lid for a container.
Broken lines depict portions of the lid for a container that
form no part of the claimed design.

1 Claim, 5 Drawing Sheets



(56)

References Cited

U.S. PATENT DOCUMENTS

5,894,952 A * 4/1999 Mendenhall A47G 19/2272
215/230

5,979,697 A 11/1999 Kim
D417,845 S * 12/1999 Sadlier D7/511
D437,223 S * 2/2001 Coy D9/447

6,644,490 B2 11/2003 Clarke
7,513,382 B2 4/2009 Clarke et al.
D629,298 S * 12/2010 Wong D9/447
D631,348 S * 1/2011 Weiss D9/447
D635,855 S * 4/2011 Smith D9/447
D660,696 S * 5/2012 Weiss D9/447
D675,524 S * 2/2013 Bickert D9/447
D696,584 S * 12/2013 Resnikoff D9/448
D708,900 S * 7/2014 Hakim D7/392.1
8,789,718 B1 * 7/2014 Daniel B65D 43/161
220/254.6

8,807,371 B2 8/2014 Zuares et al.
9,114,920 B1 * 8/2015 Edelman B65D 51/2814
D753,999 S * 4/2016 Crosby D9/447
9,398,822 B2 7/2016 Wille
9,452,867 B2 9/2016 Koestring et al.
D775,492 S * 1/2017 Elias D7/392.1
D807,746 S * 1/2018 Fleming D9/454
D822,484 S * 7/2018 D'Amato D9/447
D827,437 S * 9/2018 Oakes D9/447
D831,483 S * 10/2018 Tseng D9/447

10,201,241 B2 2/2019 Eickhoff et al.
D850,258 S * 6/2019 Savenok D9/447
10,351,308 B1 * 7/2019 Schaefer B65D 51/1611
10,494,151 B2 12/2019 Oakes
D887,203 S * 6/2020 Pan D7/396.2
D887,772 S * 6/2020 Ross D7/392.1
D890,568 S * 7/2020 Davis D7/396.2

2002/0011494 A1 * 1/2002 Lukacevic B65D 43/0212
220/713

2005/0072787 A1 4/2005 Morris et al.
2005/0184074 A1 * 8/2005 Simmons B65D 21/0228
220/592.17

2006/0071008 A1 * 4/2006 Sadlier B65D 47/06
220/713

2006/0086764 A1 4/2006 Dery

2006/0201944 A1 9/2006 Shibasaka et al.
2007/0131691 A1 * 6/2007 Evans B65D 43/0212
220/254.5

2008/0011762 A1 * 1/2008 Boone B65D 43/0212
220/713

2008/0257899 A1 * 10/2008 Whitaker B65D 47/06
220/717

2009/0050641 A1 * 2/2009 Ivey B65D 43/0222
220/713

2009/0283535 A1 * 11/2009 Mesalic B65D 43/0212
220/709

2011/0036851 A1 2/2011 McCandlish et al.
2011/0290817 A1 * 12/2011 Weiss B65D 43/0212
220/780

2012/0228299 A1 * 9/2012 Folos B65D 43/0202
220/367.1

2012/0272622 A1 * 11/2012 Weiss B65D 43/0212
53/476

2013/0233898 A1 * 9/2013 Resnikoff A47G 19/2272
222/568

2013/0306666 A1 * 11/2013 Weiss B65D 51/248
220/784

2014/0042178 A1 2/2014 Brannock
2014/0263378 A1 * 9/2014 Bolek A47G 19/2205
220/713

2014/0299614 A1 * 10/2014 Mithal B65D 43/0212
220/713

2015/0014322 A1 * 1/2015 Kim B65D 51/18
220/373

2015/0201777 A1 * 7/2015 Kim A47G 23/0216
220/713

2016/0198875 A1 * 7/2016 Mithal B65D 43/0212
220/713

2018/0042413 A1 * 2/2018 Althaher A47G 19/2272
2018/0065333 A1 3/2018 Crudginton
2020/0231326 A1 * 7/2020 Romano B65D 81/3865

OTHER PUBLICATIONS

Paper Cup Hot Lid: Announced [May 12, 2018, Online]. Site Visited [Sep. 3, 2020]. Available from Internet URL: <https://www.packagingpro.com.au/Paper-Cup-Hot-Lid-12-16oz-Spout-White>.*

* cited by examiner

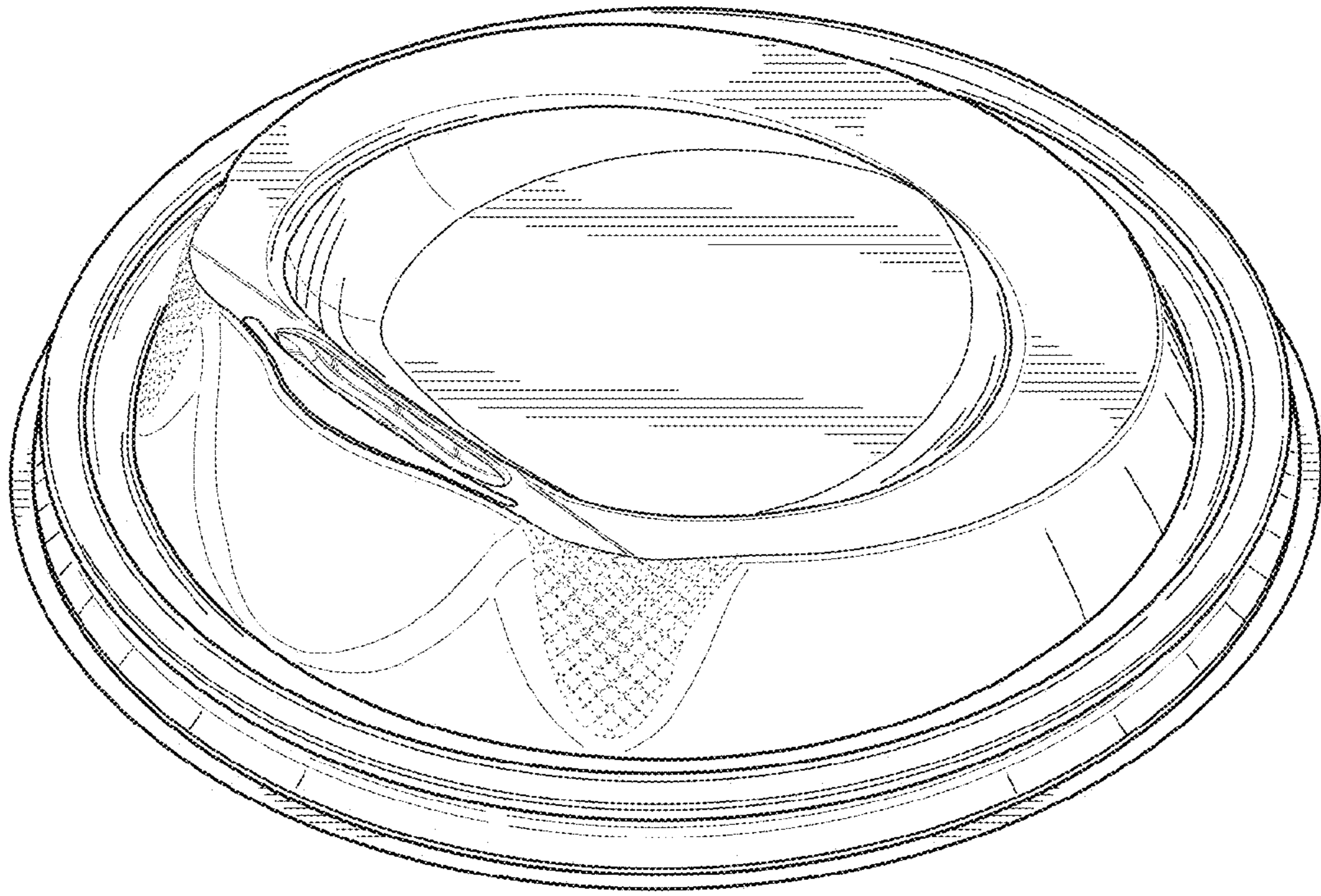


FIG. 1

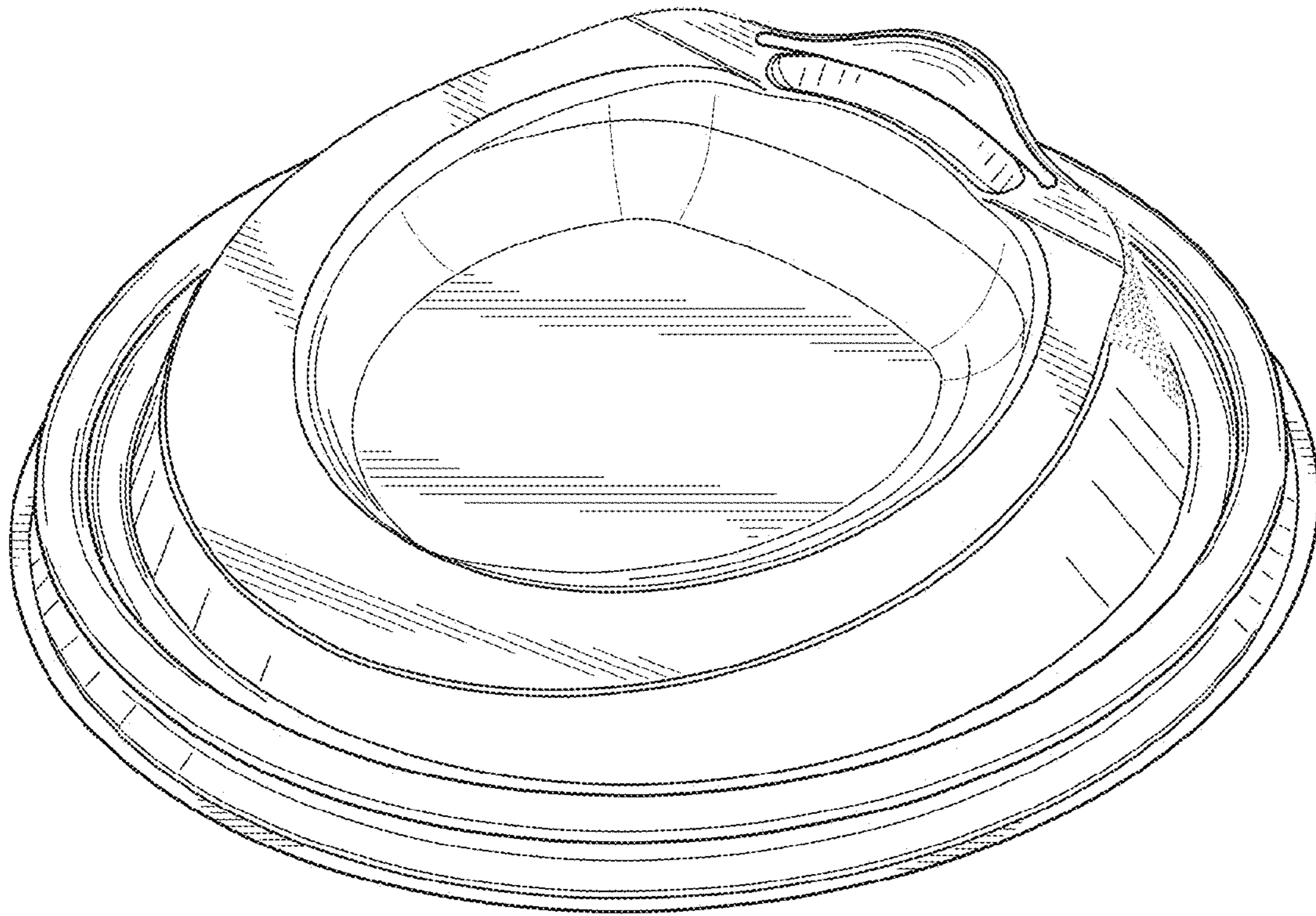


FIG. 2

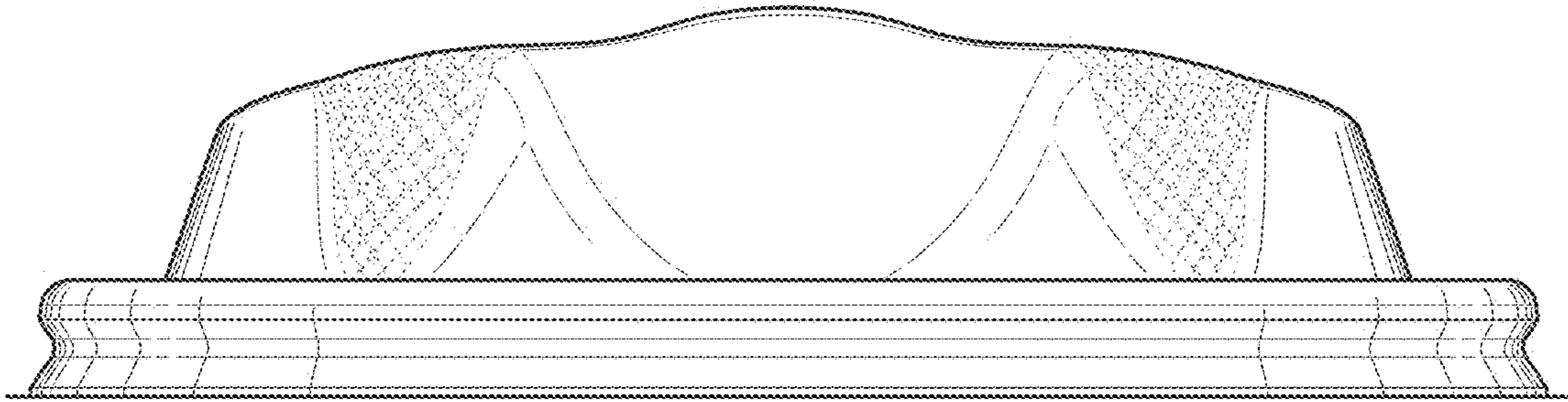


FIG. 3

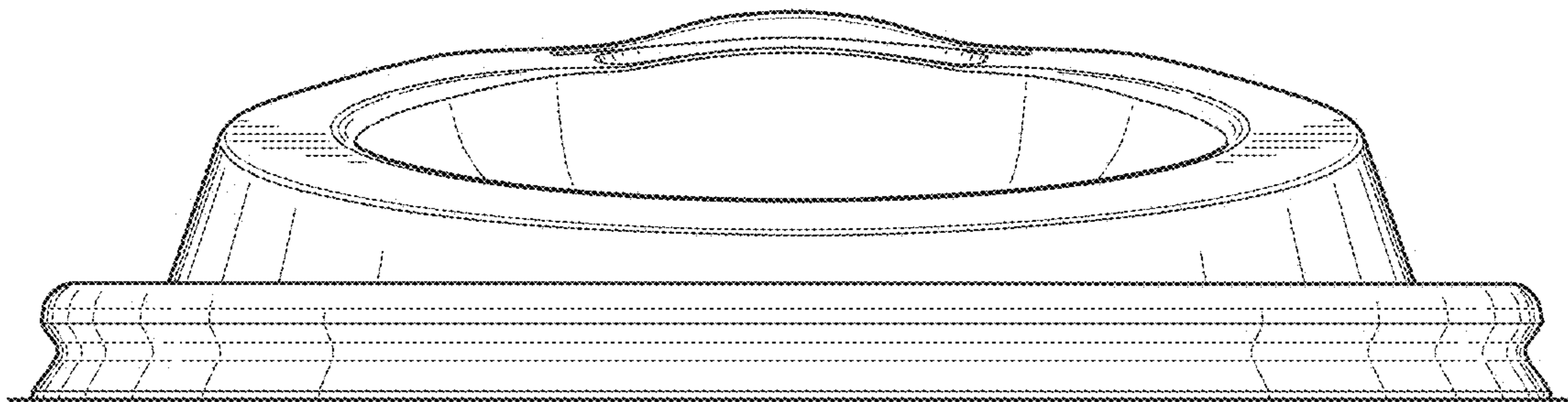


FIG. 4

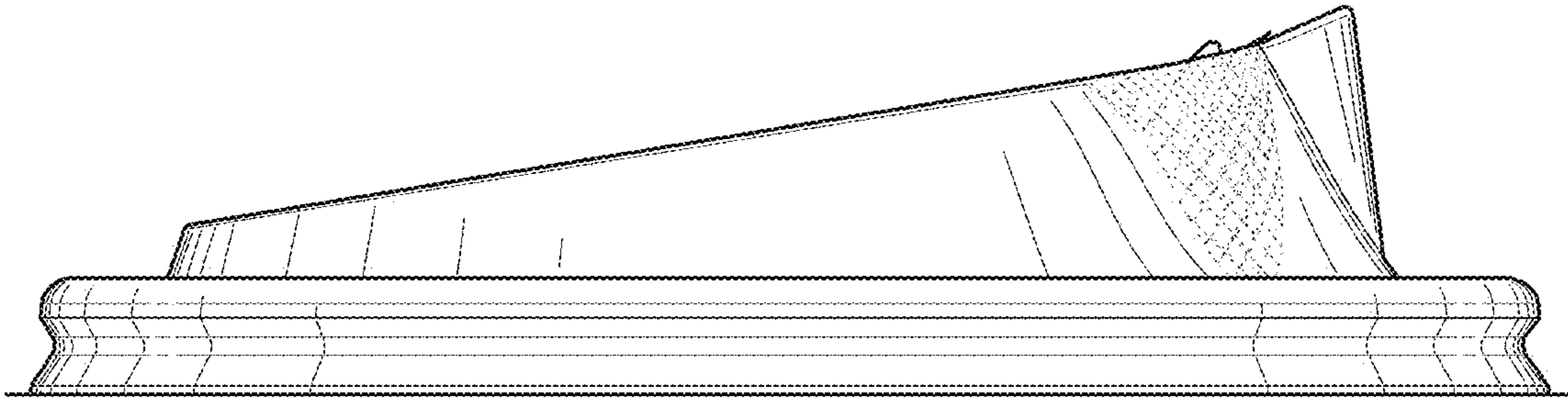


FIG. 5

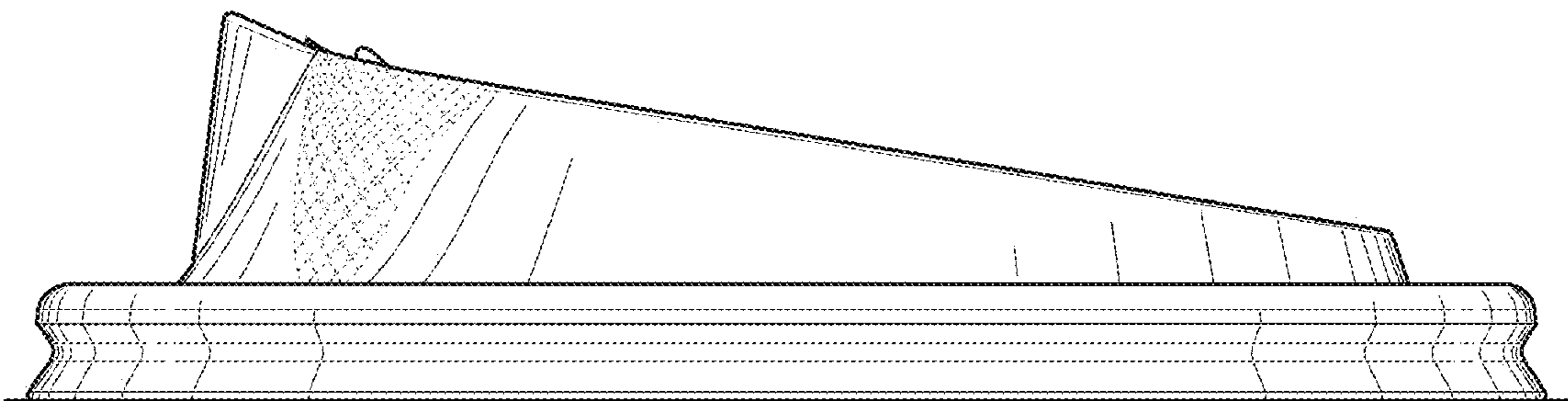


FIG. 6

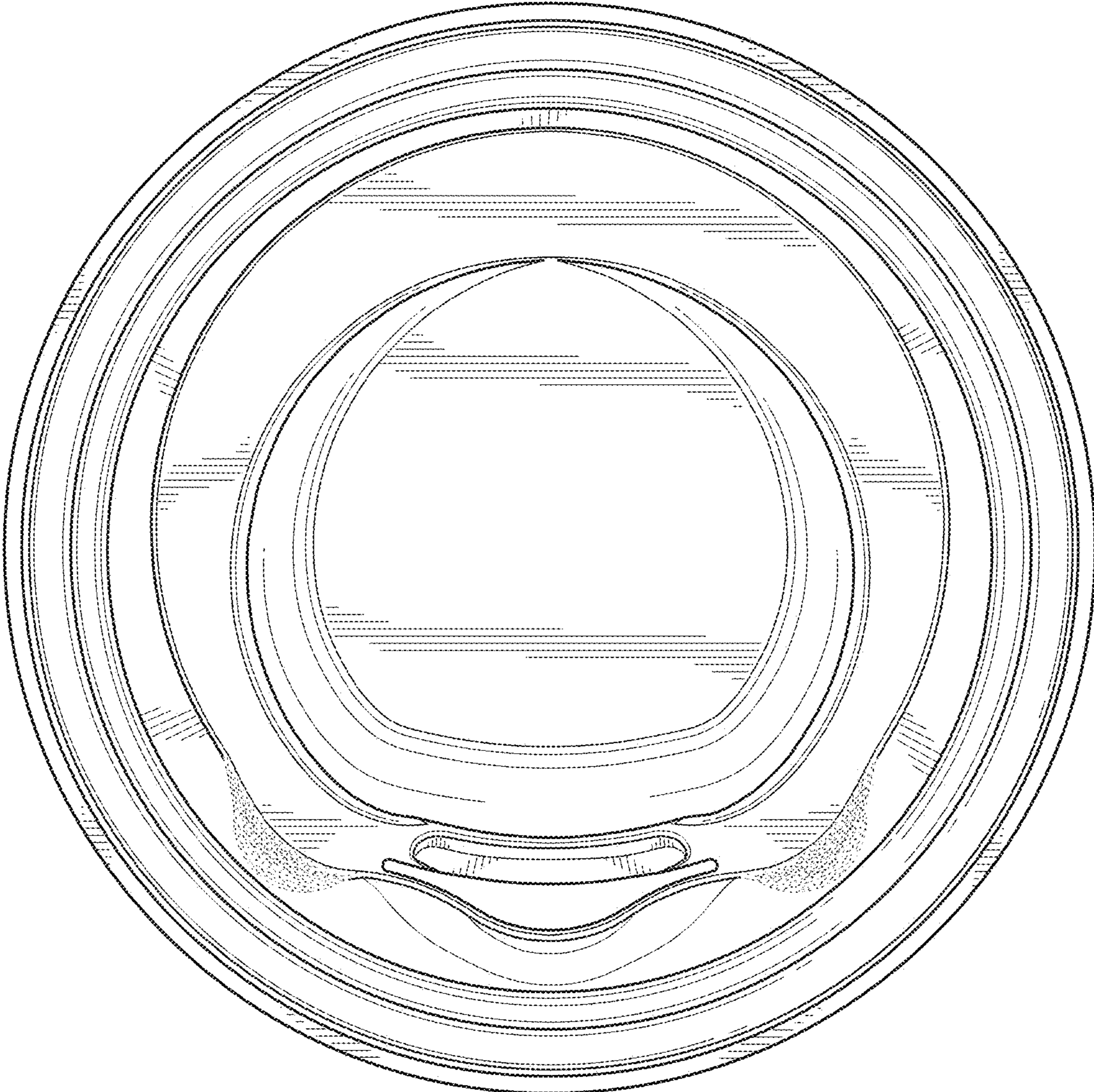


FIG. 7

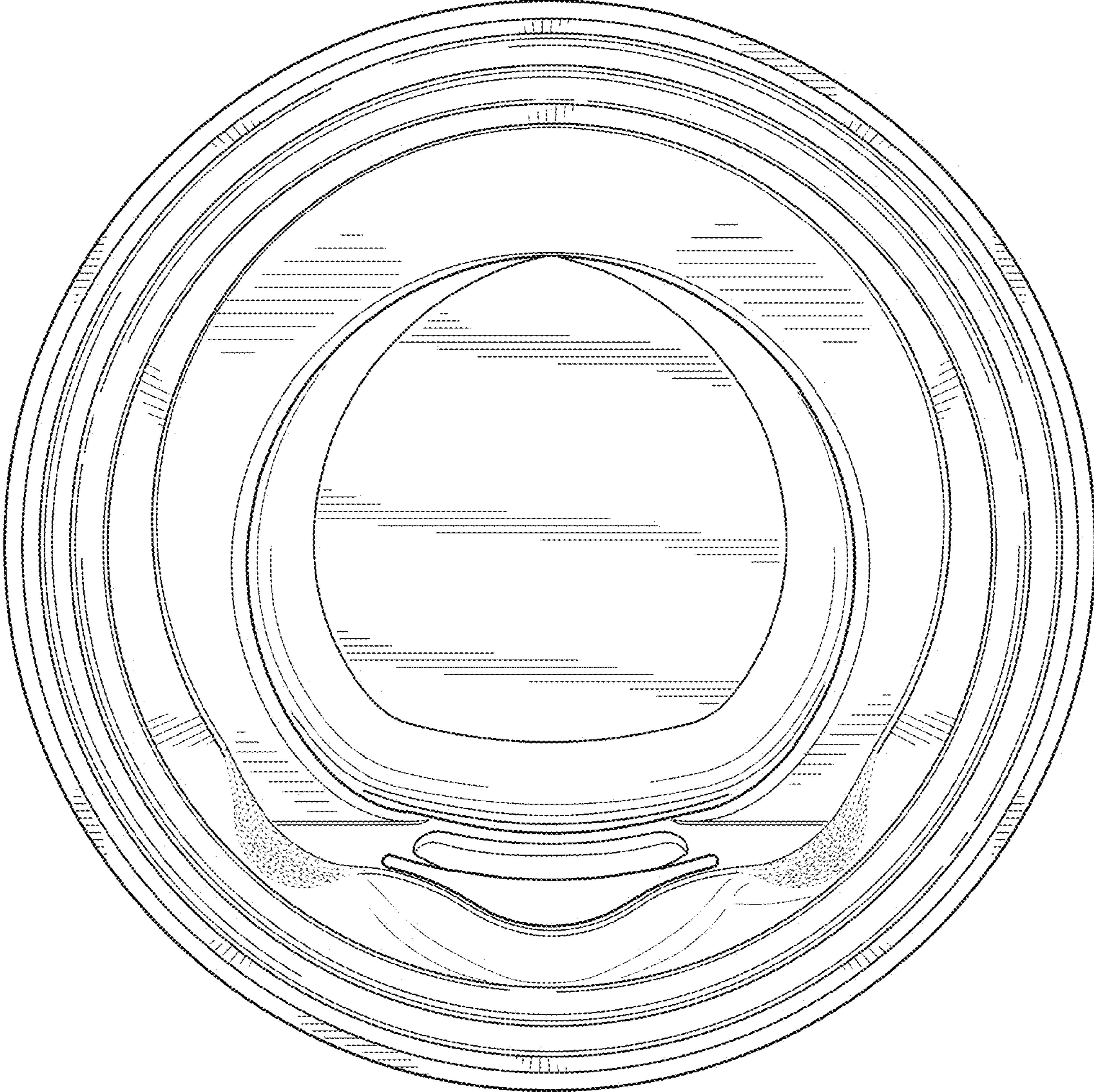


FIG. 8