



US00D921422S

(12) **United States Design Patent** (10) **Patent No.:** **US D921,422 S**
McCabe et al. (45) **Date of Patent:** **** Jun. 8, 2021**

(54) **BEVERAGE CONTAINER LID**

(56) **References Cited**

(71) Applicant: **Leapfrog Product Development LLC**,
Chicago, IL (US)

U.S. PATENT DOCUMENTS

(72) Inventors: **Micaela K. McCabe**, Chicago, IL (US);
Steven N. Pinelli, Ogden Dunes, IN
(US); **Glen C. Gilmore, III**, Naperville,
IL (US); **Derek J. Leatzow**, Chicago,
IL (US); **Brian M. Clemens**,
Burnsville, MN (US); **Richard E.**
Ellison, Chicago, IL (US); **Kurtis M.**
Sward, Anna Maria, FL (US)

D485,132	S	*	1/2004	Ohno	D7/608
D505,294	S	*	5/2005	Gauss	D9/443
D515,357	S		2/2006	Ward et al.		
D528,862	S	*	9/2006	Li	D7/510
D533,061	S	*	12/2006	Li	D9/449
D564,841	S		3/2008	Clemens et al.		
D579,772	S	*	11/2008	Williams	D9/446
D581,727	S		12/2008	Pinelli et al.		
D592,456	S		5/2009	Pinelli et al.		
D592,905	S		5/2009	Pinelli et al.		
D592,913	S		5/2009	Pinelli et al.		
7,546,933	B2		6/2009	Pinelli		
D643,249	S		8/2011	Miller et al.		
7,997,442	B2		8/2011	Pinelli		
D655,580	S	*	3/2012	Kotani	D7/608
D656,787	S		4/2012	Phillips et al.		
8,360,267	B1		1/2013	Chiou et al.		
D686,871	S	*	7/2013	Lane	D7/392.1
D693,629	S		11/2013	Miller		
D693,630	S		11/2013	Hurley et al.		
8,579,133	B2		11/2013	Marcus et al.		
8,590,731	B2		11/2013	Pinelli		
D700,012	S		2/2014	Hurley et al.		
D700,802	S		3/2014	Miller		
8,978,906	B2		3/2015	Feeley et al.		
9,266,643	B2		2/2016	Marcus et al.		
D758,790	S	*	6/2016	Boroski	D7/396.2
D780,578	S	*	3/2017	Lane	D9/447
D795,011	S	*	8/2017	Pisarevsky	D7/507
D799,898	S	*	10/2017	Yao	D7/510
D804,904	S	*	12/2017	Noveletsky	D7/510
D817,713	S	*	5/2018	Lin	D7/510
D818,767	S	*	5/2018	Nezu	D7/392.1
D821,815	S	*	7/2018	Chung	D7/510
D839,044	S	*	1/2019	Potter	D7/392.1
D853,181	S	*	7/2019	Stanton	D7/392.1
D865,457	S	*	11/2019	Kotani	D7/608
D869,230	S	*	12/2019	Hao	D7/392.1
2011/0089059	A1	*	4/2011	Lane	B65D 51/2835 206/222
2012/0312832	A1	*	12/2012	Lane	B65D 51/242 220/833

(73) Assignee: **Leapfrog Product Development LLC**,
Chicago, IL (US)

(**) Term: **15 Years**

(21) Appl. No.: **29/681,205**

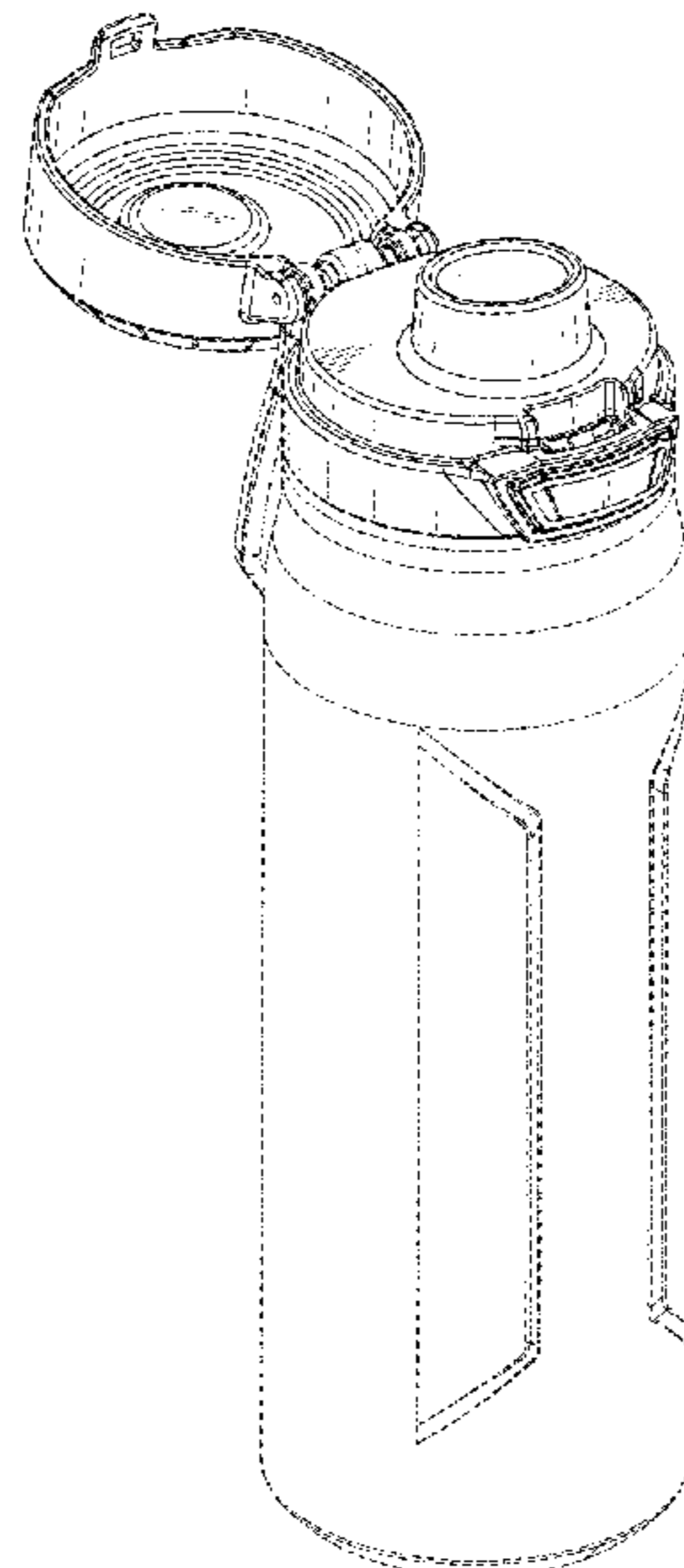
(22) Filed: **Feb. 22, 2019**

(51) **LOC (13) Cl.** **07-99**

(52) **U.S. Cl.**
USPC **D7/392.1; D7/396.2; D9/449**

(58) **Field of Classification Search**
USPC D9/414, 415, 432, 434, 435, 443-453,
D9/455-457, 499, 503, 504, 682, 685,
D9/686; D7/387, 391, 392, 392.1, 394,
D7/396.1-396.4, 506, 507, 509-511, 538,
D7/900; D3/202, 203.2, 294, 318;
D28/91, 91.1
CPC .. A61J 1/00; A61J 1/1412; B65D 1/00; B65D
1/02; B65D 1/10; B65D 1/46; B65D
5/46; B65D 41/00; B65D 41/38; B65D
41/56; B65D 41/62; B65D 47/00; B65D
47/06; B65D 47/08; B65D 2251/00;
B65D 2543/00046; B65D 2543/00092;
B65D 2543/00296; B65D 2585/56; B65D
2585/545

See application file for complete search history.



2014/0339177 A1* 11/2014 Lane A45F 3/18
210/767
2015/0282654 A1* 10/2015 Kurabe A47G 19/2272
220/254.5

OTHER PUBLICATIONS

Zulu, “Atlas20 oz Glass Water Bottle,” accessed on-line at: <https://www.zuluathletic.com/shop-all/atlas-glass-water-bottle> (available at least as early as Feb. 22, 2019).

Kor, “Vida Bottle—25oz,” accessed on-line at: <https://waterbottles.com/kor-vida-bottle-25-oz> (available at least as early as Feb. 22, 2019).

Thermos, “Hydration Bottle with Rotating Intake Meter, 24oz,” accessed on-line at: <https://www.thermos.com/genuine-thermos-brand-hydration-bottle-with-rotating-intake-meter-24oz.html> (available at least as early as Feb. 22, 2019).

Thermos, “Shaker Bottle with Integrated Mixer, 24oz,” accessed on-line at: <https://www.thermos.com/genuine-thermos-brand-shaker-bottle-with-integrated-mixer-24oz-clear-green-accent.html> (available at least as early as Feb. 22, 2019).

Tervis, “Custom Water Bottle,” accessed on-line at: <https://www.tervis.com/turtle-sunset-stainless-steel-24oz-stainless-water-bottle-1362572.html> (available at least as early as Feb. 22, 2019).

Swell, “Bottles,” accessed on-line at: <https://www.swell.com/shop/swell/bottles/> (available at least as early as Feb. 22, 2019).

Tritan, “32 oz Soft Straw Plastic Water Bottle,” accessed on-line at: <http://www.pogogear.com/32oz-tritan-straw> (available at least as early as Feb. 22, 2019).

Tritan, “32oz Chug Plastic Water Bottle,” accessed on-line at: <http://www.pogogear.com/32oz-tritan-chug> (available at least as early as Feb. 22, 2019).

Tritan, “18oz Chug Plastic Water Bottle,” accessed on-line at: <http://www.pogogear.com/18oz-tritan-chug> (available at least as early as Feb. 22, 2019).

Ello, “chi 24oz BPA-Free Tritan Plastic Water Bottle,” accessed on-line at: <https://www.elloproducts.com/water-bottles/chi-24oz-plastic-water-bottle> (available at least as early as Feb. 22, 2019).

Ello, “Dash 16oz 2pk Tritan Plastic Water Bottles,” accessed on-line at: <https://www.elloproducts.com/kids/dash-16oz-tritan-plastic-water-bottle> (available at least as early as Feb. 22, 2019).

Ello, “Cru Stemless Wine glass Set with Silicone Protection,” accessed on-line at: <https://www.elloproducts.com/tumblers/cru-stemless-wine-glass-set-with-silicone-protection> (available at least as early as Feb. 22, 2019).

Aladdin, “Water Bottle,” (1 page) (available at least as early as Feb. 22, 2019).

Ello, “Elsie 22oz Glass Water Bottle,” accessed on-line at: <https://www.elloproducts.com/water-bottles/elsie-22oz-glass-water-bottle> (available at least as early as Feb. 22, 2019).

Ello, “Beacon 24oz Vacuum Insulated Stainless Tumbler,” accessed on-line at: <https://www.elloproducts.com/tumblers/beacon-24oz-vacuum-insulated-stainless-tumbler> (available at least as early as Feb. 22, 2019).

Ello, “Rise 12oz Vacuum Insulated Stainless Steel Tumbler with Optional Straw,” accessed on-line at: <https://www.elloproducts.com/kids/rise-12oz-vacuum-insulated-stainless-steel-tumbler> (available at least as early as Feb. 22, 2019).

Ello, “Hammertime 18oz Stainless Steel Travel Mug,” accessed on-line at: <https://www.elloproducts.com/travel-mugs/hammertime-18oz-vacuum-insulated-stainless-steel-travel-mug> (available at least as early as Feb. 22, 2019).

Ello, “Pure 20oz Glass Water Bottle,” accessed on-line at: <https://www.elloproducts.com/water-bottles/pure-20oz-glass-water-bottle> (available at least as early as Feb. 22, 2019).

Ello, “Max 12oz Vacuum-Insulated Stainless Steel Kids Water Bottle,” accessed on-line at: <https://www.elloproducts.com/kids/max-12oz-vacuum-insulated-stainless-steel-kids-water-bottle> (available at least as early as Feb. 22, 2019).

Ello, “Syndicate 20oz Glass Water Bottle,” accessed on-line at: <https://www.elloproducts.com/water-bottles/syndicate-20oz-glass-water-bottle> (available at least as early as Feb. 22, 2019).

Mason, “Glass Jar,” (1 page) (available at least as early as Feb. 22, 2019).

Camelbak, “Eddy+ 1L Bottle,” accessed on-line at: https://www.camelbak.com/en/bottles/R02056--Eddy_75L_2019?color=6bbd0584f3a64b0eb30d40617e03797e (available at least as early as Feb. 22, 2019).

Contigo, “Autoseal West Loop 2.0 Stainless,” accessed on-line at: <https://www.gocontigo.com/20-oz-autoseal-west-loop-stainless-travel-mug-with-easy-clean-lid.html> (available at least as early as Feb. 22, 2019).

Contigo, “Autospout Straw Striker Chill,” accessed on-line at: <https://www.gocontigo.com/14-oz-autospout-striker-kids-water-bottle.html> (available at least as early as Feb. 22, 2019).

Zojirushi, “Travel Mug SM-YAE48,” accessed on-line at: <https://www.zojirushi.com/app/product/smyae> (available at least as early as Feb. 22, 2019).

Zojirushi, “Stainless Mug SM-KC3648,” accessed on-line at: <https://www.zojirushi.com/app/product/smkc> (available at least as early as Feb. 22, 2019).

Zojirushi, “Stainless Bottle SJ-JS10,” accessed on-line at: <https://www.zojirushi.com/app/product/sjjs> (available at least as early as Feb. 22, 2019).

Zojirushi, “Flip-and-Go Stainless Mug SM-QHE48/60,” accessed on-line at: <https://www.zojirushi.com/app/product/smqhe> (available at least as early as Feb. 22, 2019).

Zojirushi, “Stainless Mug SM-TAE48SA, Ichimatsu Collection,” accessed on-line at: <https://www.zojirushi.com/app/product/smtae> (available at least as early as Feb. 22, 2019).

Zojirushi, “Stainless Mug SM-TA36/48/60,” accessed on-line at: <https://www.zojirushi.com/app/product/smta> (available at least as early as Feb. 22, 2019).

Zojirushi, “Stainless Mug SM-SE36/48/60,” accessed on-line at: <https://www.zojirushi.com/app/product/smse> (available at least as early as Feb. 22, 2019).

Zojirushi, “Stainless Mug SM-SD36/48/60,” accessed on-line at: <https://www.zojirushi.com/app/product/smsd> (available at least as early as Feb. 22, 2019).

Zojirushi, “Stainless Mug SM-SHE48/60,” accessed on-line at: <https://www.zojirushi.com/app/product/smshe> (available at least as early as Feb. 22, 2019).

Zojirushi, “Stainless Mug SM-KHE36/48,” accessed on-line at: <https://www.zojirushi.com/app/product/smkhe> (available at least as early as Feb. 22, 2019).

Zojirushi, “Stainless Mug SM-SC36/48/60” accessed on-line at: <https://www.zojirushi.com/app/product/smsc> (available at least as early as Feb. 22, 2019).

Zojirushi, “Stainless Mug SM-PC20/30,” accessed on-line at: <https://www.zojirushi.com/app/product/smpc> (available at least as early as Feb. 22, 2019).

Zojirushi, “Stainless Mug SM-PB30/34,” accessed on-line at: <https://www.zojirushi.com/app/product/smpb> (available at least as early as Feb. 22, 2019).

Migo, “Enjoy Sport Water Bottle,” accessed on-line at: <https://www.pinterest.ru/pin/12666442685646757/> (available at least as early as Feb. 22, 2019).

Coleman, “Switch SS,” accessed on-line at: https://www.coleman.com/all-camp-kitchen/drinkware/switch-ss/col_2038485_pr/COL_2038485 (available at least as early as Feb. 22, 2019).

Corkcicle, “Classic Arctican,” accessed on-line at: <https://corkcicle.com/products/classic-arctican?variant=475182759951> (available at least as early as Feb. 22, 2019).

Ello, “Reflex Beverage Container,” (1 page) (available at least as early as Feb. 22, 2019).

* cited by examiner

Primary Examiner — Wendy L Arminio

(74) *Attorney, Agent, or Firm* — Barnes & Thornburg
LLP

(57) **CLAIM**

We claim the ornamental design for a beverage container lid,
as shown and described.

DESCRIPTION

FIG. 1 is a top perspective view of the beverage container lid according to the new design.

FIG. 2 is a bottom perspective view of the beverage container lid shown in FIG. 1.

FIG. 3 is a front elevation view of the beverage container lid shown in FIG. 1.

FIG. 4 is a rear elevation view of the beverage container lid shown in FIG. 1.

FIG. 5 is a left side elevation view of the beverage container lid shown in FIG. 1.

FIG. 6 is a right side elevation view of the beverage container lid shown in FIG. 1.

FIG. 7 is a top plan view of the beverage container lid shown in FIG. 1; and,

FIG. 8 is a bottom plan view of the beverage container lid shown in FIG. 1.

The broken lines illustrating a beverage container depict environment and form no part of the claimed design. All other broken lines depict portions of the beverage container lid that form no part of the claimed design.

1 Claim, 8 Drawing Sheets

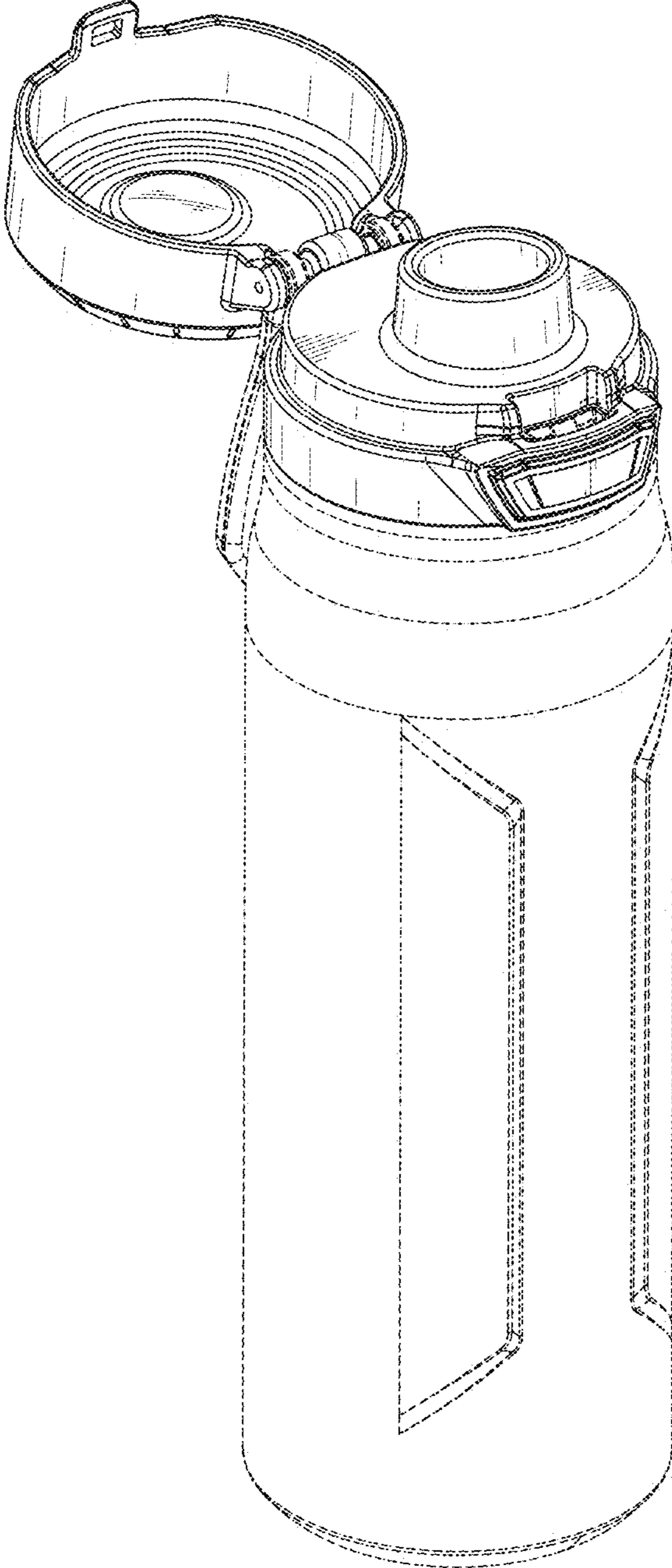


FIG. 1

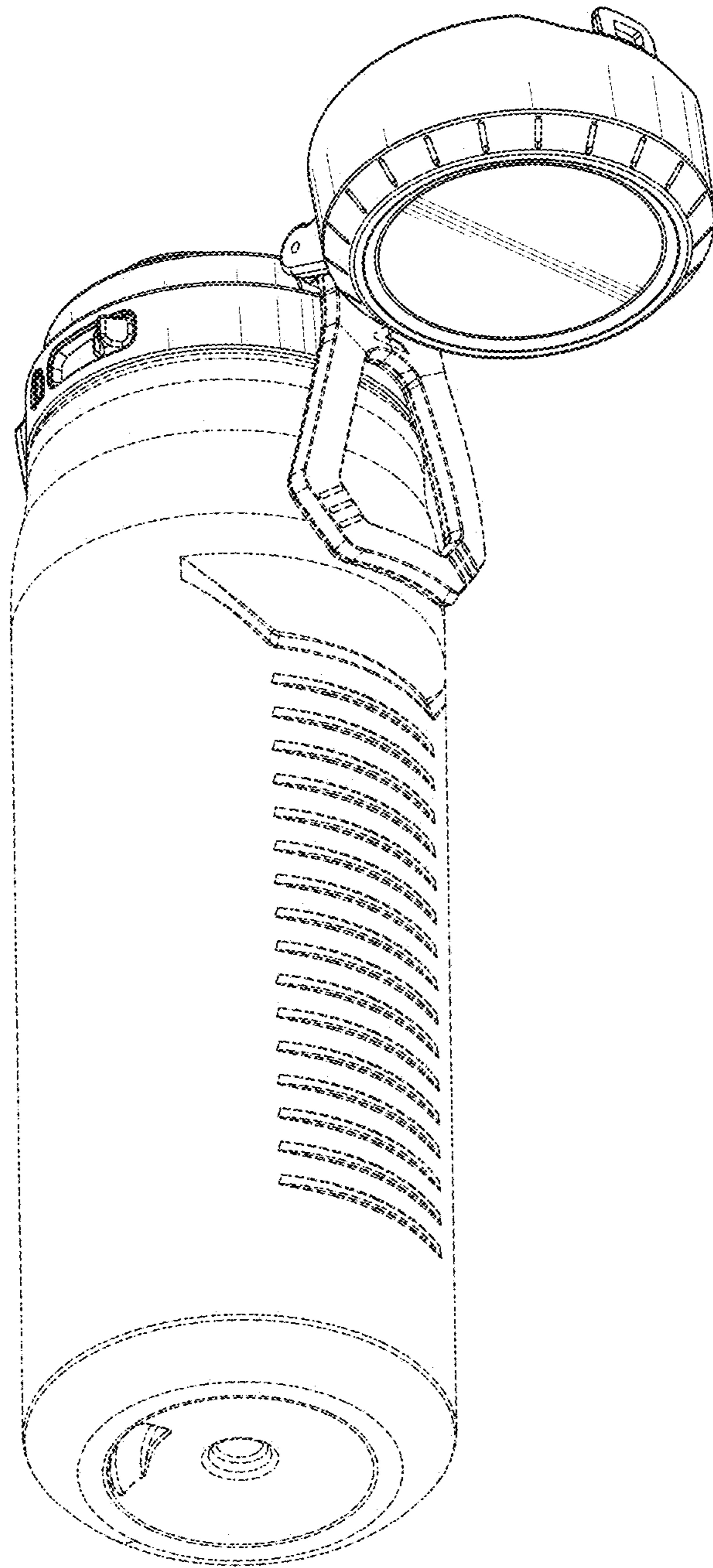


FIG. 2

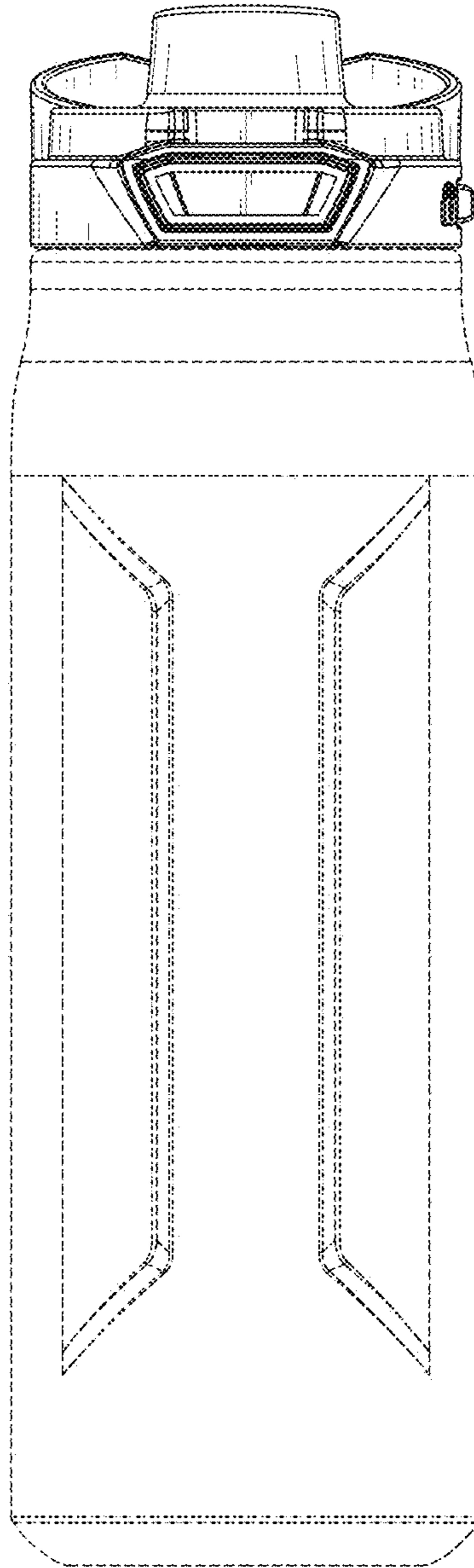


FIG. 3

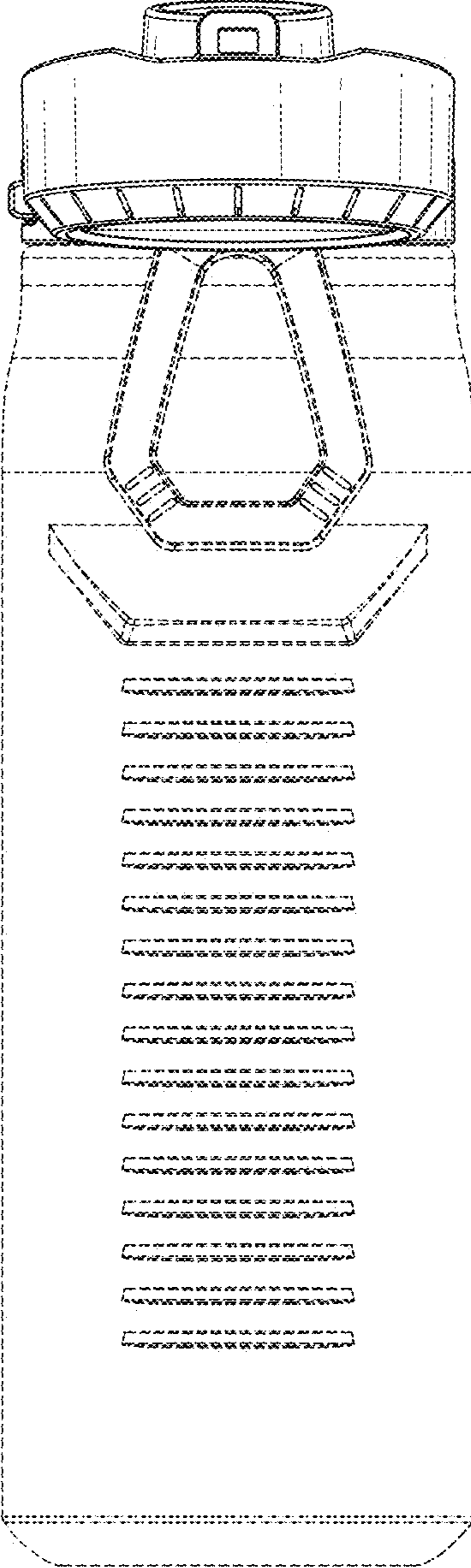


FIG. 4

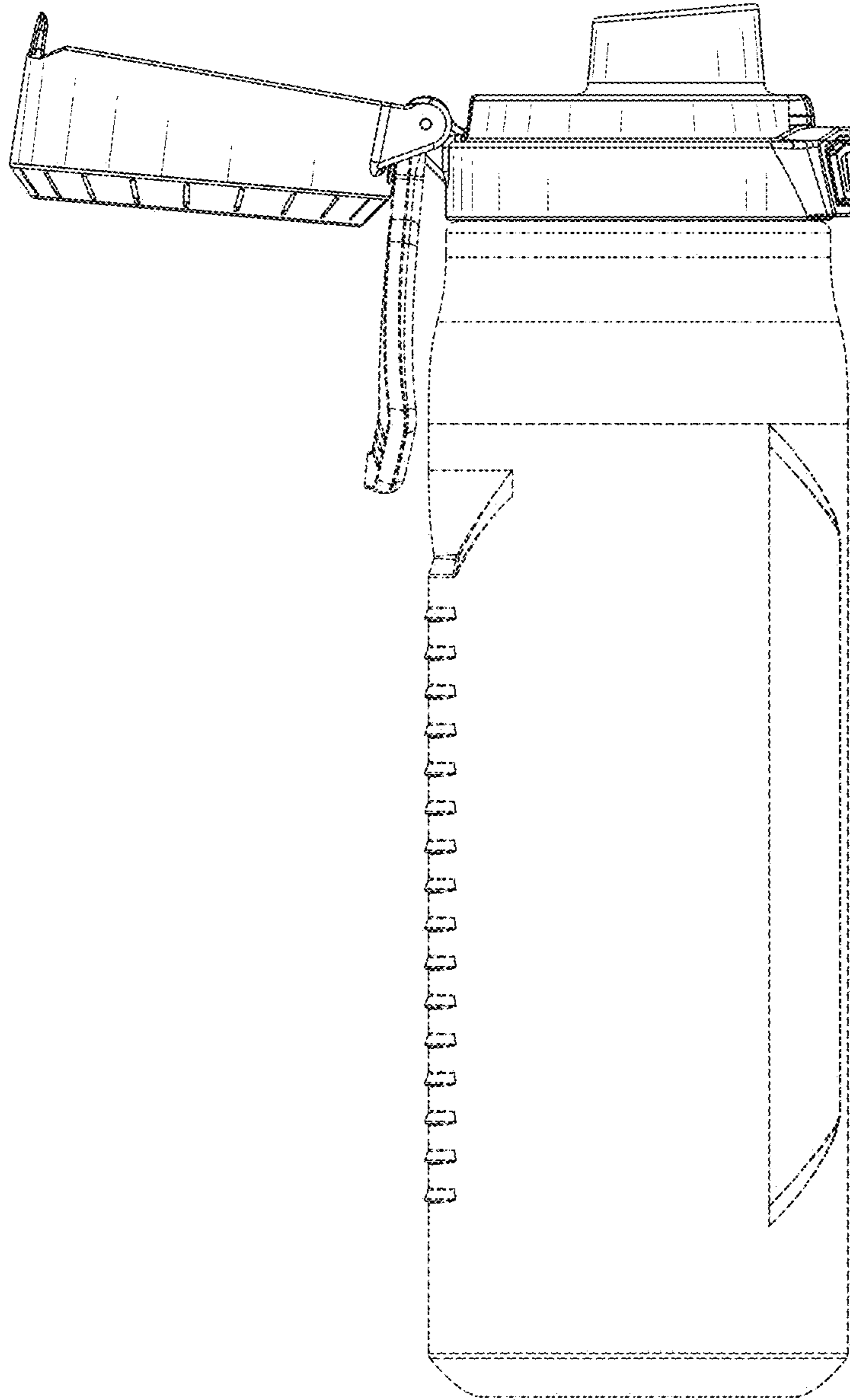


FIG. 5

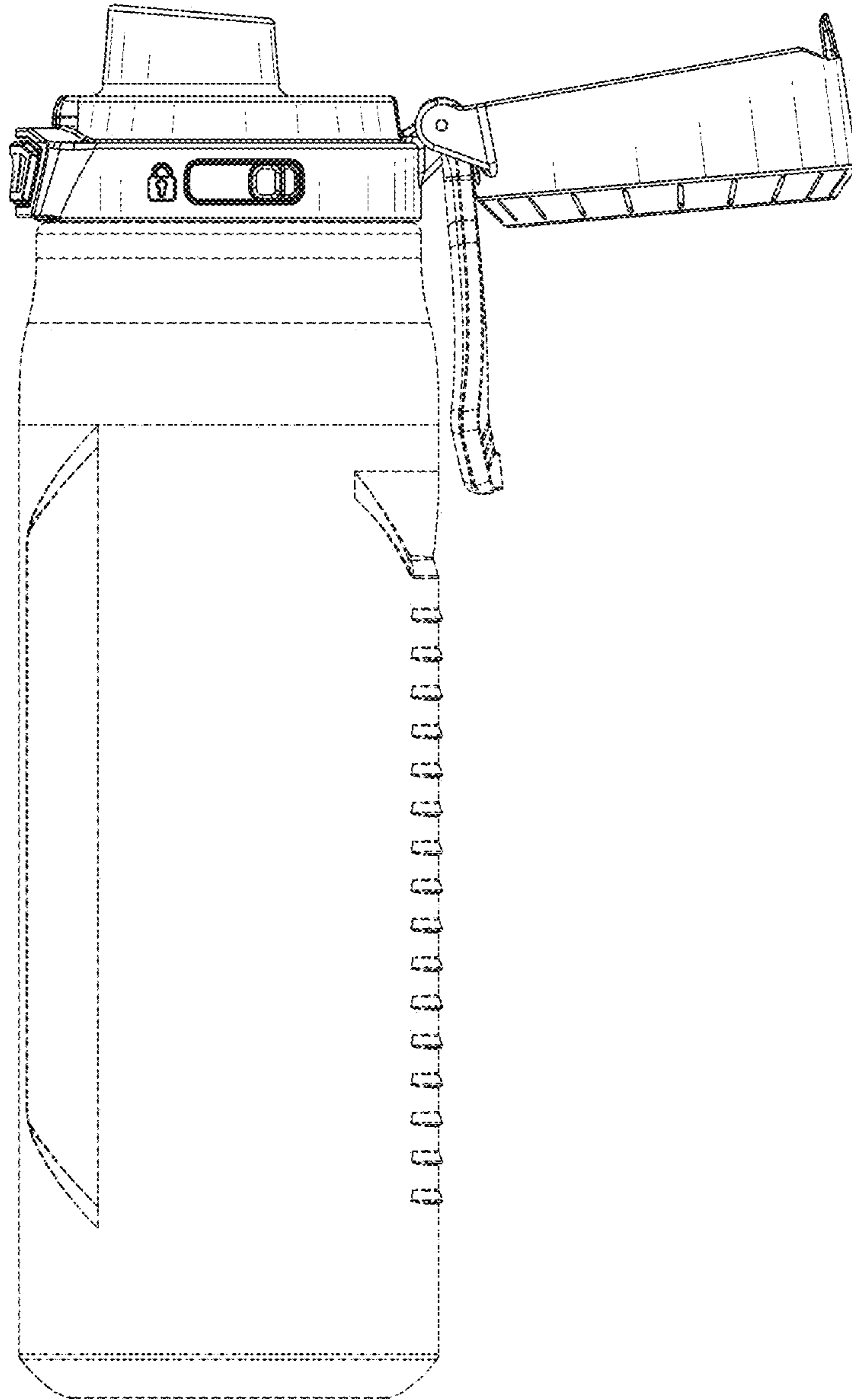


FIG. 6

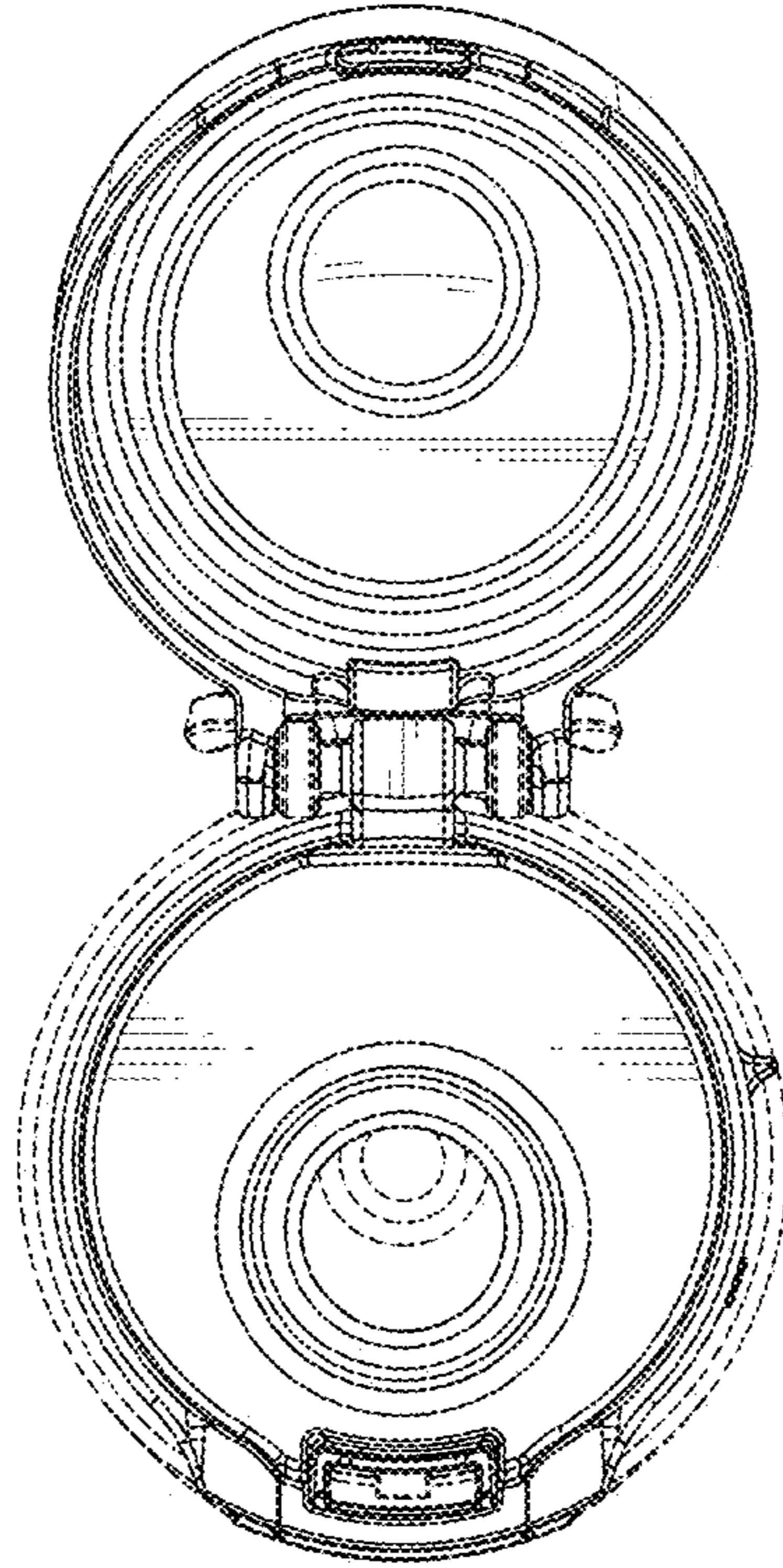


FIG. 7

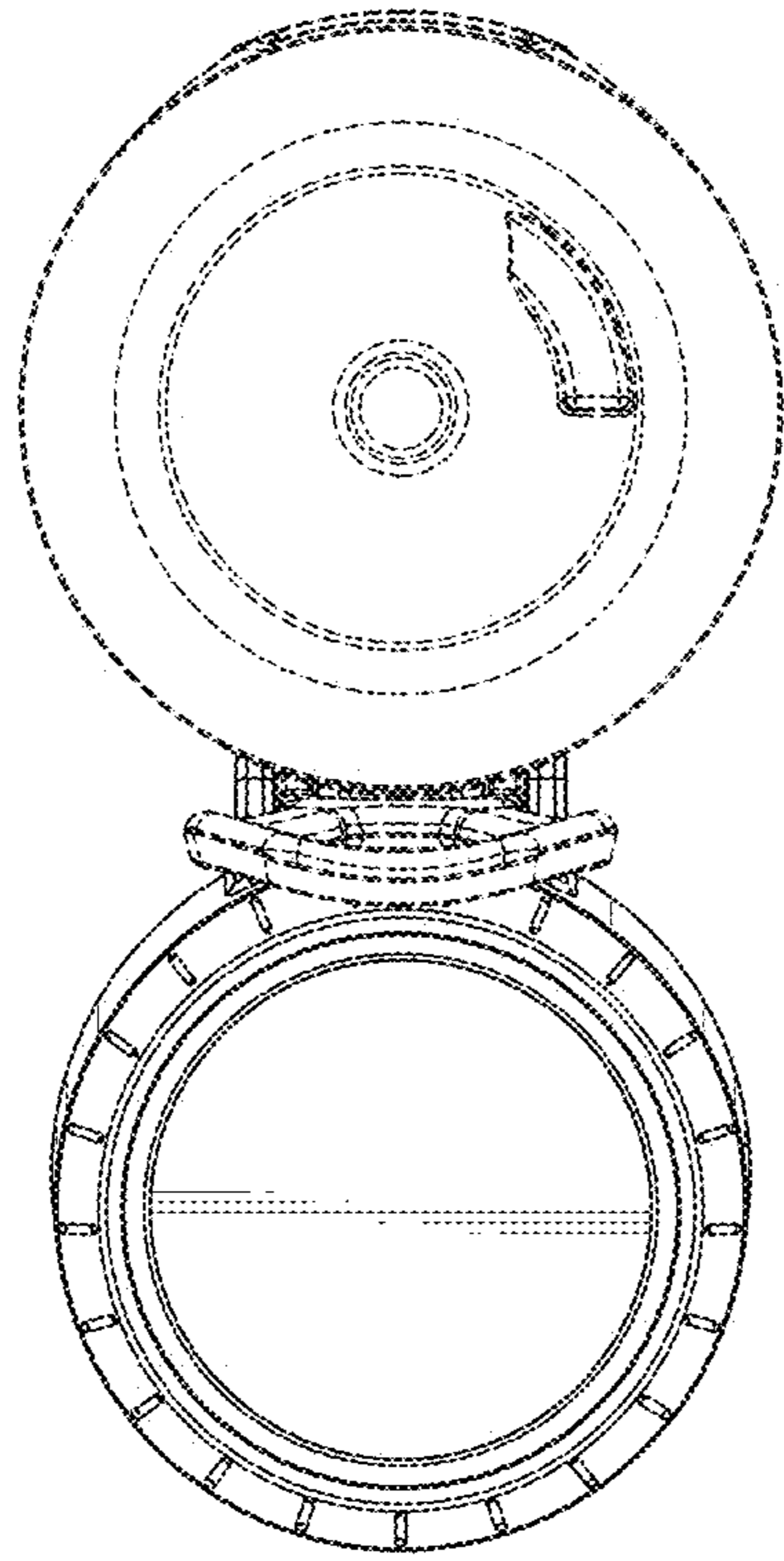


FIG. 8