



US00D921420S

(12) **United States Design Patent**
Armistead et al.

(10) **Patent No.:** **US D921,420 S**
(45) **Date of Patent:** **** Jun. 8, 2021**

(54) **CONTAINER PART**

(71) Applicant: **The Decor Corporation Pty. Ltd.,**
Dandenong South (AU)

(72) Inventors: **Justin Armistead**, Keysborough (AU);
Jim Samartgis, Dandenong South (AU)

(73) Assignee: **The Decor Corporation Pty. Ltd.,**
Dandenong South (AU)

(**) Term: **15 Years**

(21) Appl. No.: **29/679,849**

(22) Filed: **Feb. 11, 2019**

(30) **Foreign Application Priority Data**

Aug. 17, 2018 (AU) 201814899

(51) **LOC (13) Cl.** **07-99**

(52) **U.S. Cl.**
USPC **D7/387; D9/434**

(58) **Field of Classification Search**
USPC D7/387, 396.1, 397, 412, 413, 213, 417,
D7/602; D9/434, 499, 456; D25/38.1,
D25/39

CPC B65D 57/00; B65D 57/002; E01F 13/02;
E01F 13/022

See application file for complete search history.

(56) **References Cited**

U.S. PATENT DOCUMENTS

D381,269 S * 7/1997 Mena, Jr. D7/691
D690,118 S * 9/2013 Grandin D6/332

D852,450 S * 6/2019 Freeman D34/27
D860,789 S * 9/2019 Rayeski D9/456
D863,965 S * 10/2019 Lee D9/456
D896,986 S * 9/2020 Feng D25/38.1
2019/0177997 A1* 6/2019 Springborn E04H 17/1417

* cited by examiner

Primary Examiner — Susan E Krakower

Assistant Examiner — Andrew Kerr

(74) *Attorney, Agent, or Firm* — Stevens & Showalter
LLP

(57) **CLAIM**

The ornamental design for a container part, as shown and described.

DESCRIPTION

FIG. 1 is a top perspective view of a container part, showing our new design;

FIG. 2 is a bottom perspective view thereof;

FIG. 3 is a front elevation view thereof;

FIG. 4 is a rear elevation view thereof;

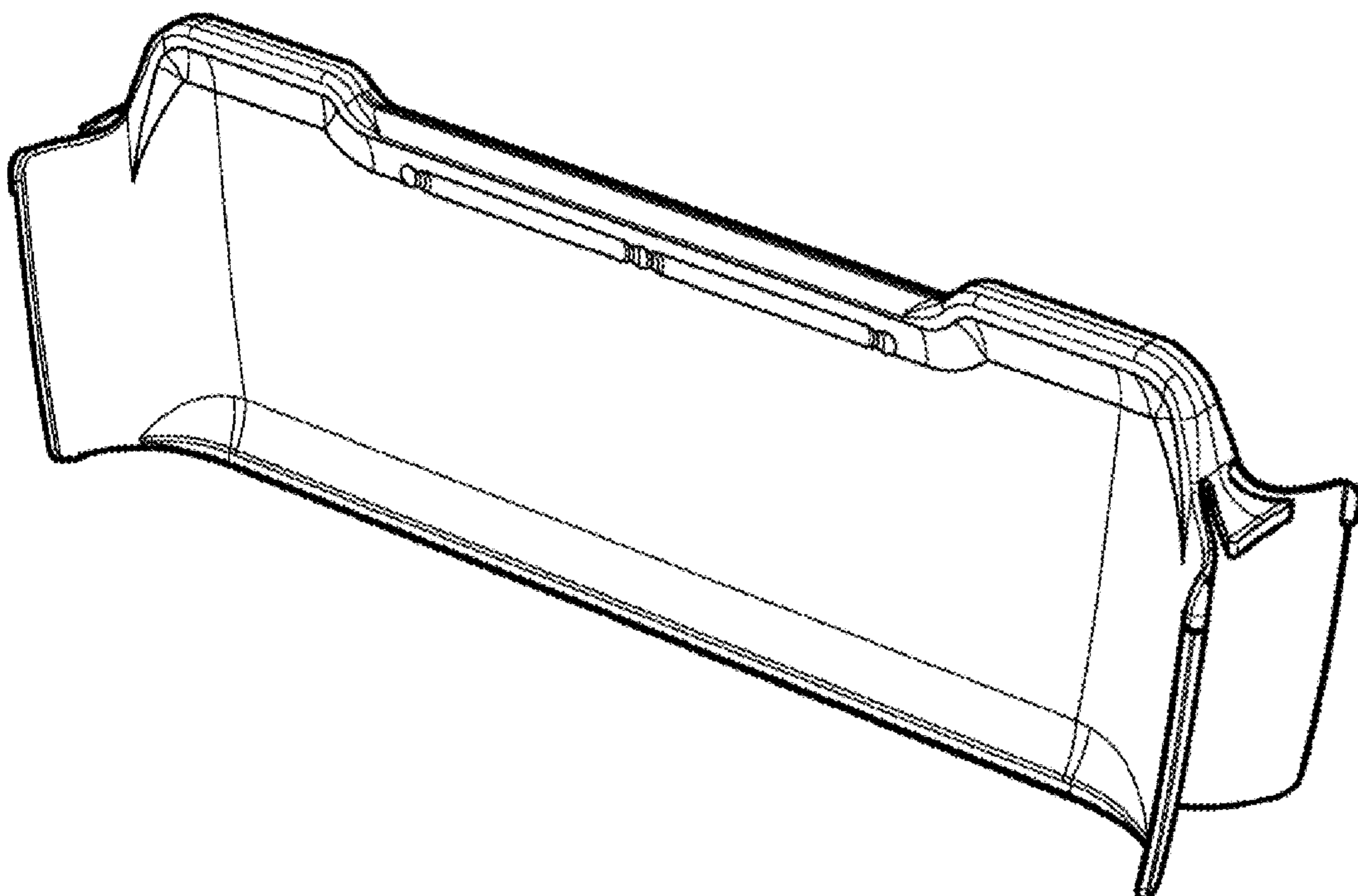
FIG. 5 is a top plan view thereof;

FIG. 6 is a bottom plan view thereof;

FIG. 7 is a left side elevation view thereof; and,

FIG. 8 is a right side elevation view thereof.

1 Claim, 4 Drawing Sheets



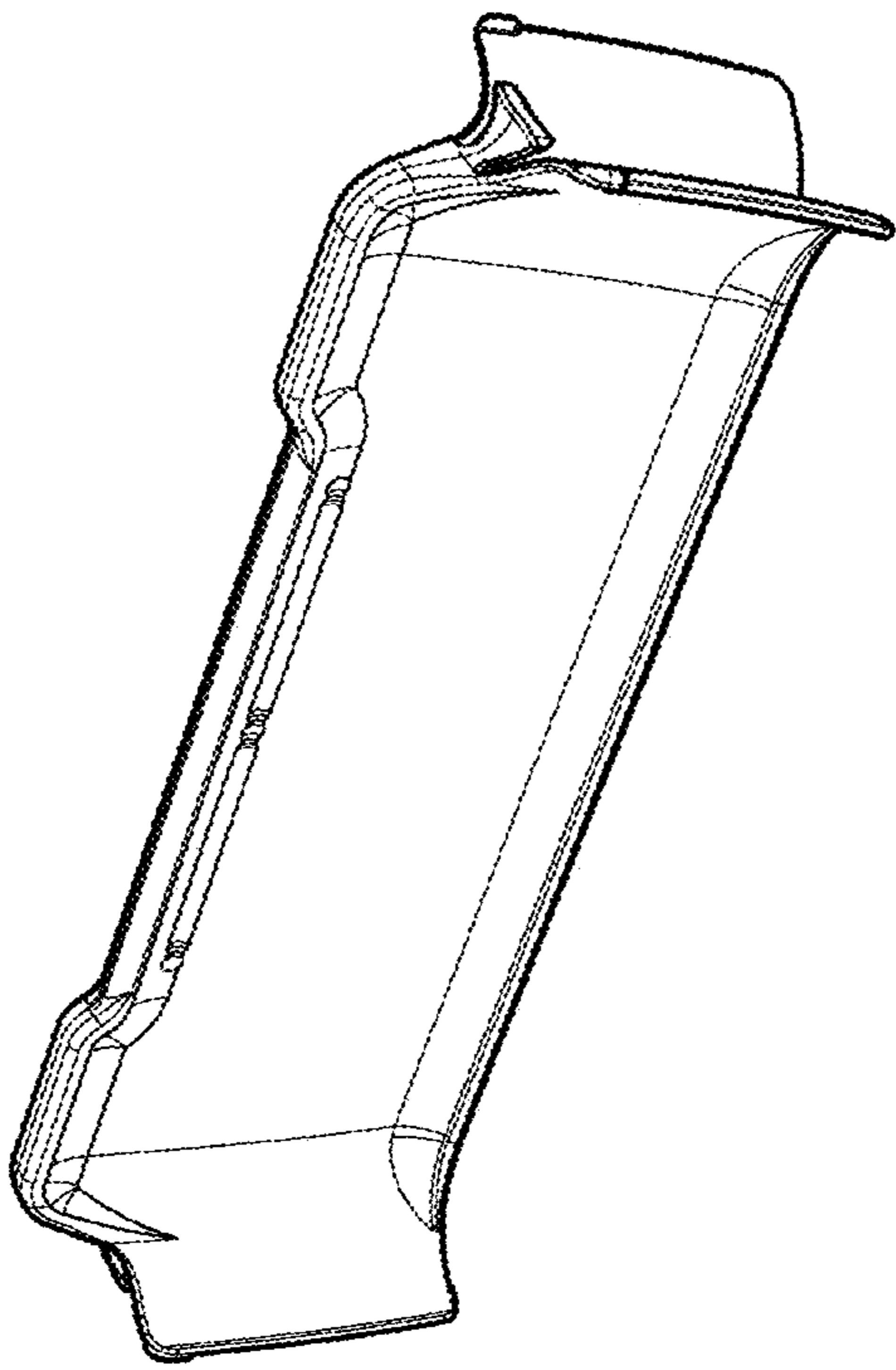


FIGURE 1

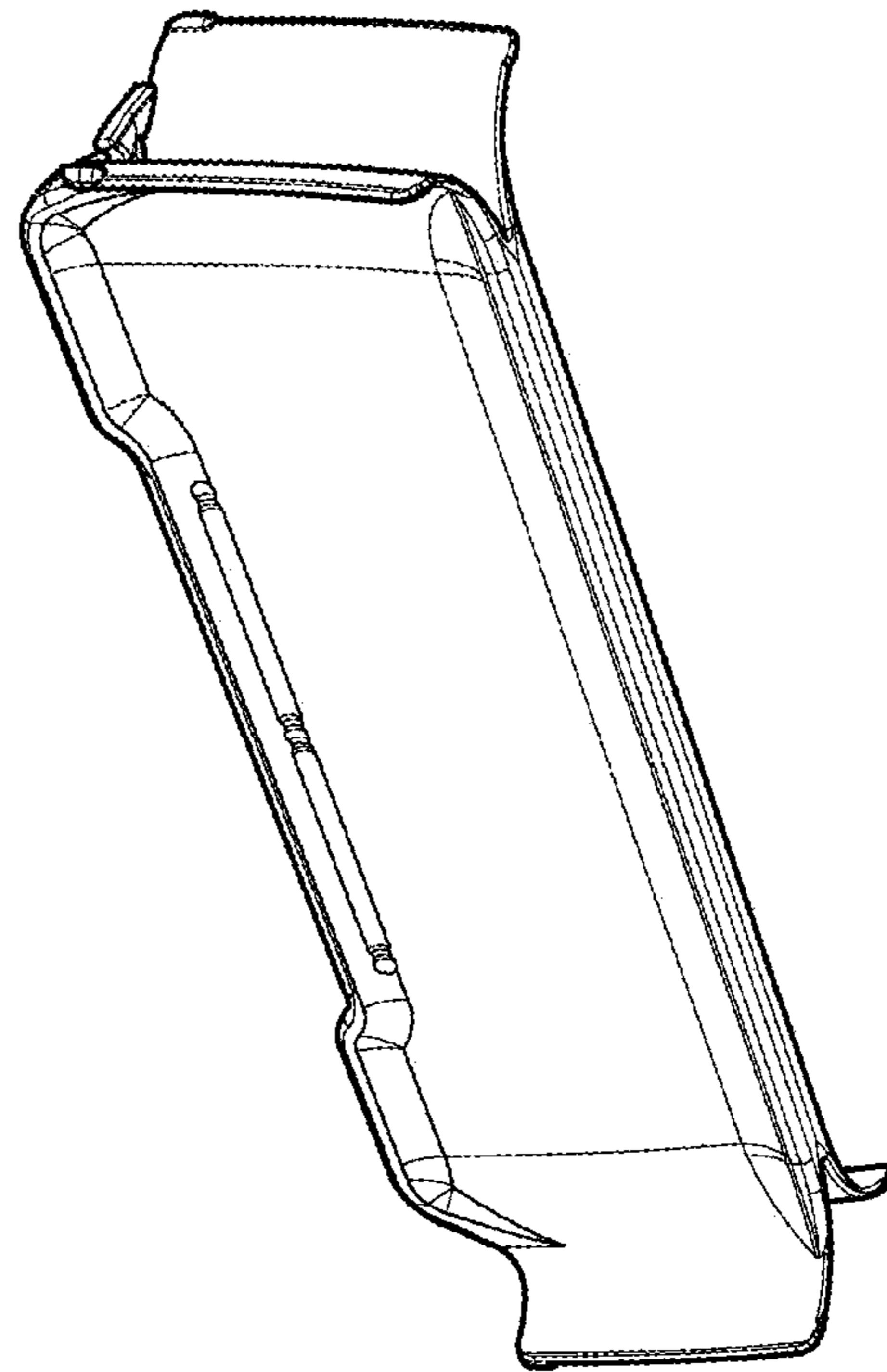


FIGURE 2

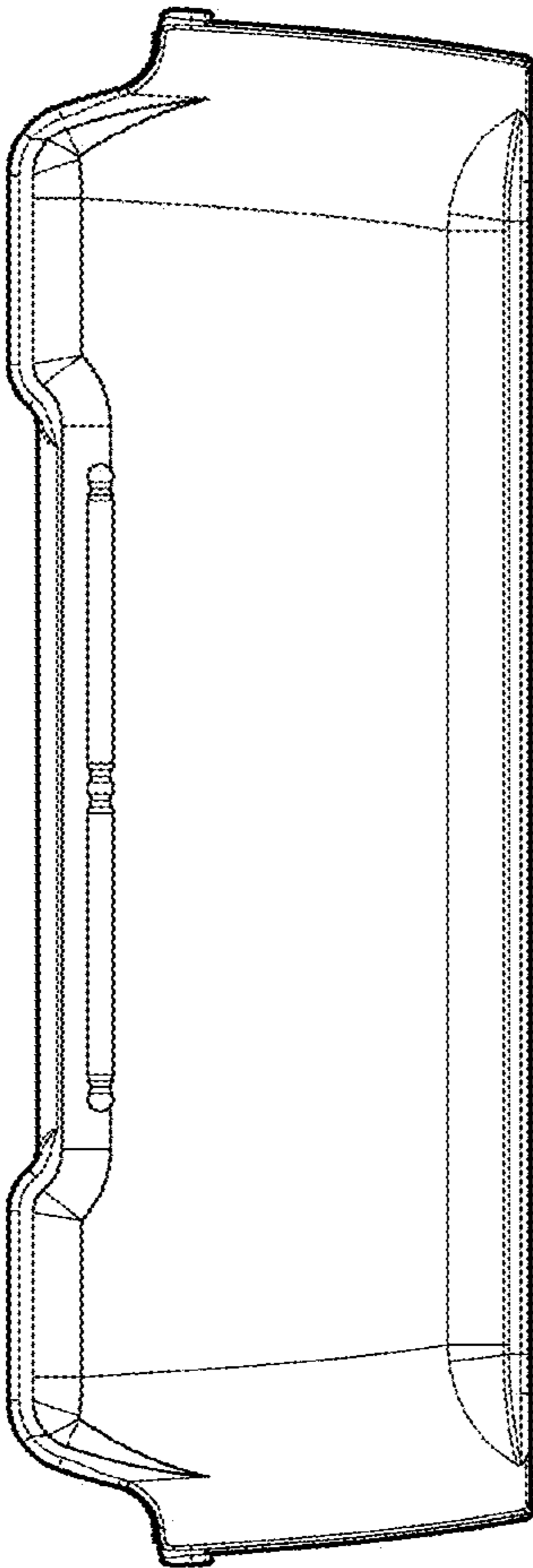


FIGURE 3

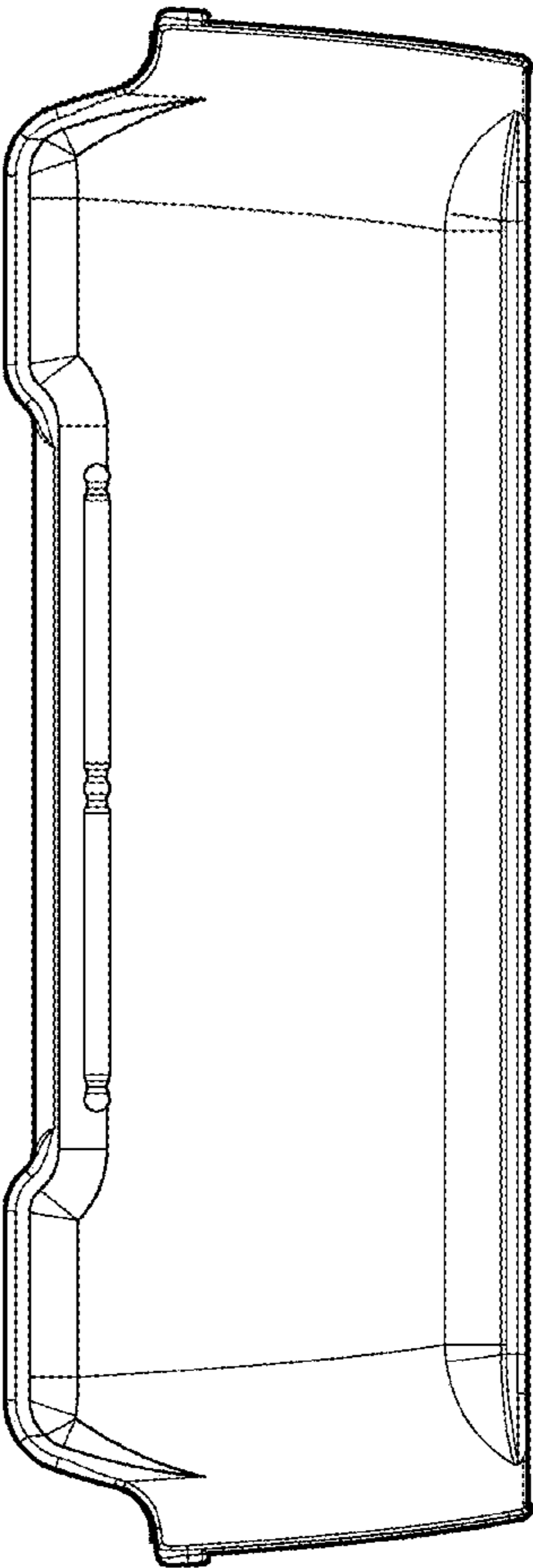


FIGURE 4

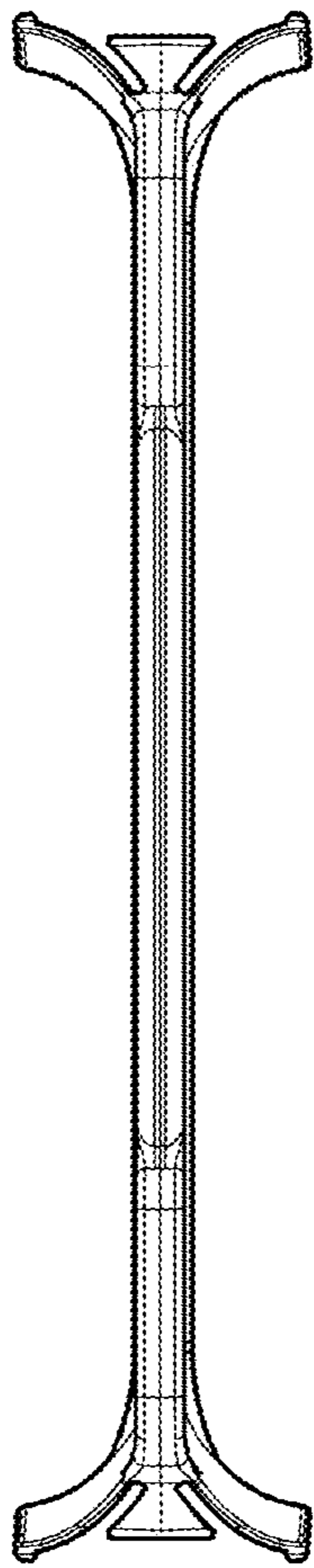


FIGURE 5

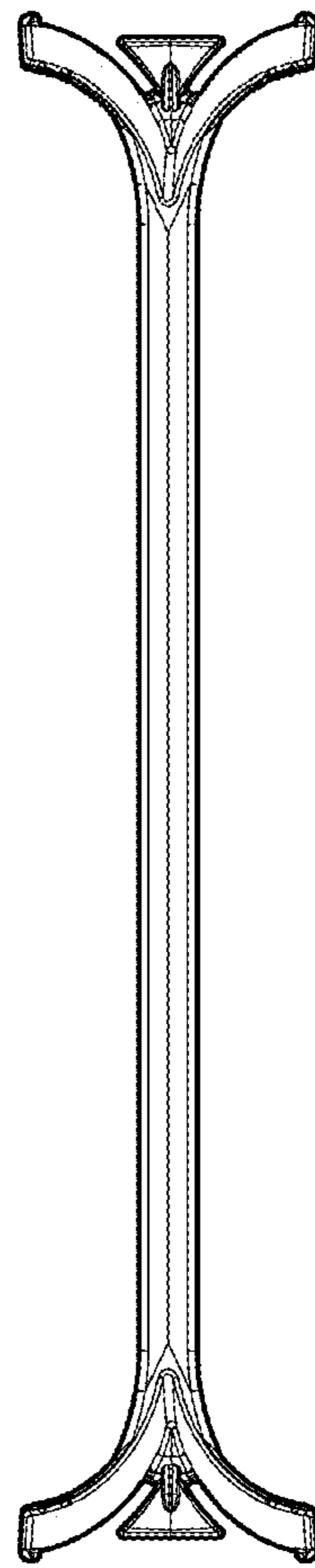


FIGURE 6

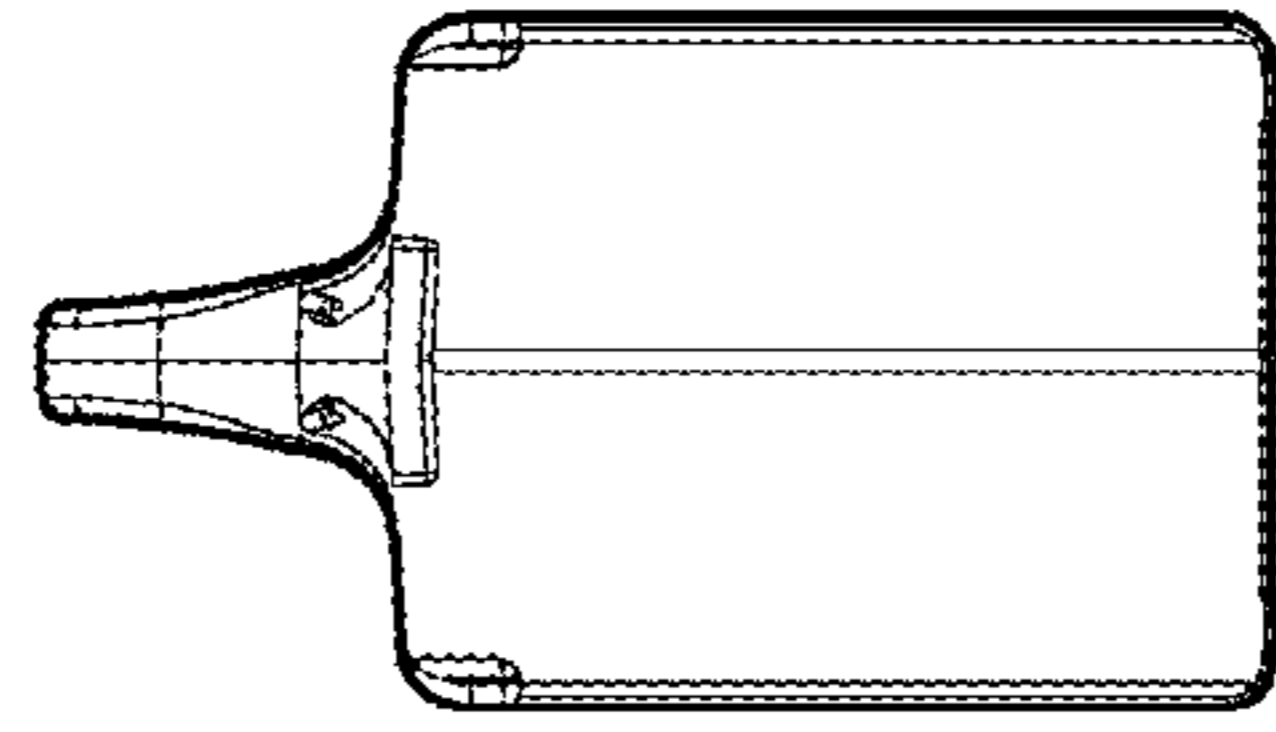


FIGURE 8

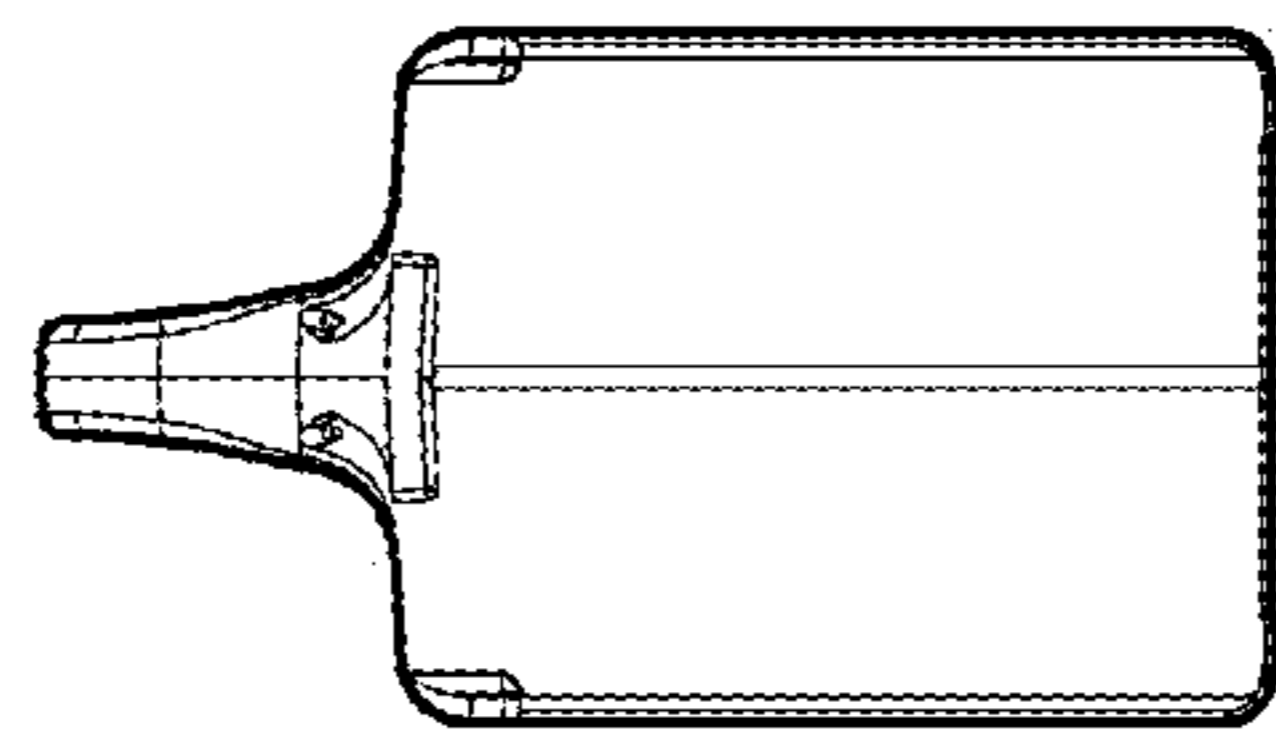


FIGURE 7