



US00D921419S

(12) **United States Design Patent** (10) **Patent No.:** **US D921,419 S**
Yang et al. (45) **Date of Patent:** **** Jun. 8, 2021**

(54) **ELECTRIC BLENDER**

(56) **References Cited**

(71) Applicant: **ETEK CITY CORPORATION**,
Anaheim, CA (US)

U.S. PATENT DOCUMENTS

(72) Inventors: **Lin Yang**, Shenzhen (CN); **Hai Yang**,
Shenzhen (CN)

D487,668	S	*	3/2004	Sands	D7/378
D529,758	S	*	10/2006	Beesley	D7/378
D554,427	S	*	11/2007	Sands	D7/378
D712,196	S	*	9/2014	Ho	D7/378
D747,915	S	*	1/2016	Kim	D7/378
D793,803	S	*	8/2017	Patel	D7/386
D816,394	S	*	5/2018	Yeung	D7/378
D832,641	S	*	11/2018	Sapire	D7/378
10,617,260	B2	*	4/2020	Sapire	A47J 43/0766
D889,191	S	*	7/2020	Finnance	D7/378
D904,105	S	*	12/2020	Menashes	D7/384
2015/0098299	A1	*	4/2015	Sapire	A47J 43/27 366/205
2016/0220071	A1	*	8/2016	Hewitt	A47J 43/0716

(**) Term: **15 Years**

(21) Appl. No.: **29/725,913**

(22) Filed: **Feb. 27, 2020**

(30) **Foreign Application Priority Data**

Aug. 27, 2019 (CN) 201930467504.8

(51) **LOC (13) Cl.** **31-00**

(52) **U.S. Cl.**
USPC **D7/378; D7/376; D7/386; D7/412;**
D7/413

(58) **Field of Classification Search**
USPC D7/372, 376–386, 412–413, 602, 629,
D7/665–666, 669, 679, 693–694
CPC A21C 1/02; A21C 1/04; A23N 1/00; A23N
1/02; A47J 43/04; A47J 43/25; A47J
43/27; A47J 43/042; A47J 43/044; A47J
43/046; A47J 43/075; A47J 43/0716;
A47J 43/0722; A47J 43/0727; B01F 3/00;
B01F 3/0807; B01F 3/0853; B01F
13/0059; B01F 13/0064; B02C 1/08;
B02C 2/04; B02C 4/42; B02C 4/142;
B02C 4/143; B02C 4/423; B02C 13/1835;
B28C 5/10; B28C 5/12; B28C 5/14;
B28C 5/16

See application file for complete search history.

* cited by examiner

Primary Examiner — Ricky Pham

(74) *Attorney, Agent, or Firm* — Tsz Lung Yeung

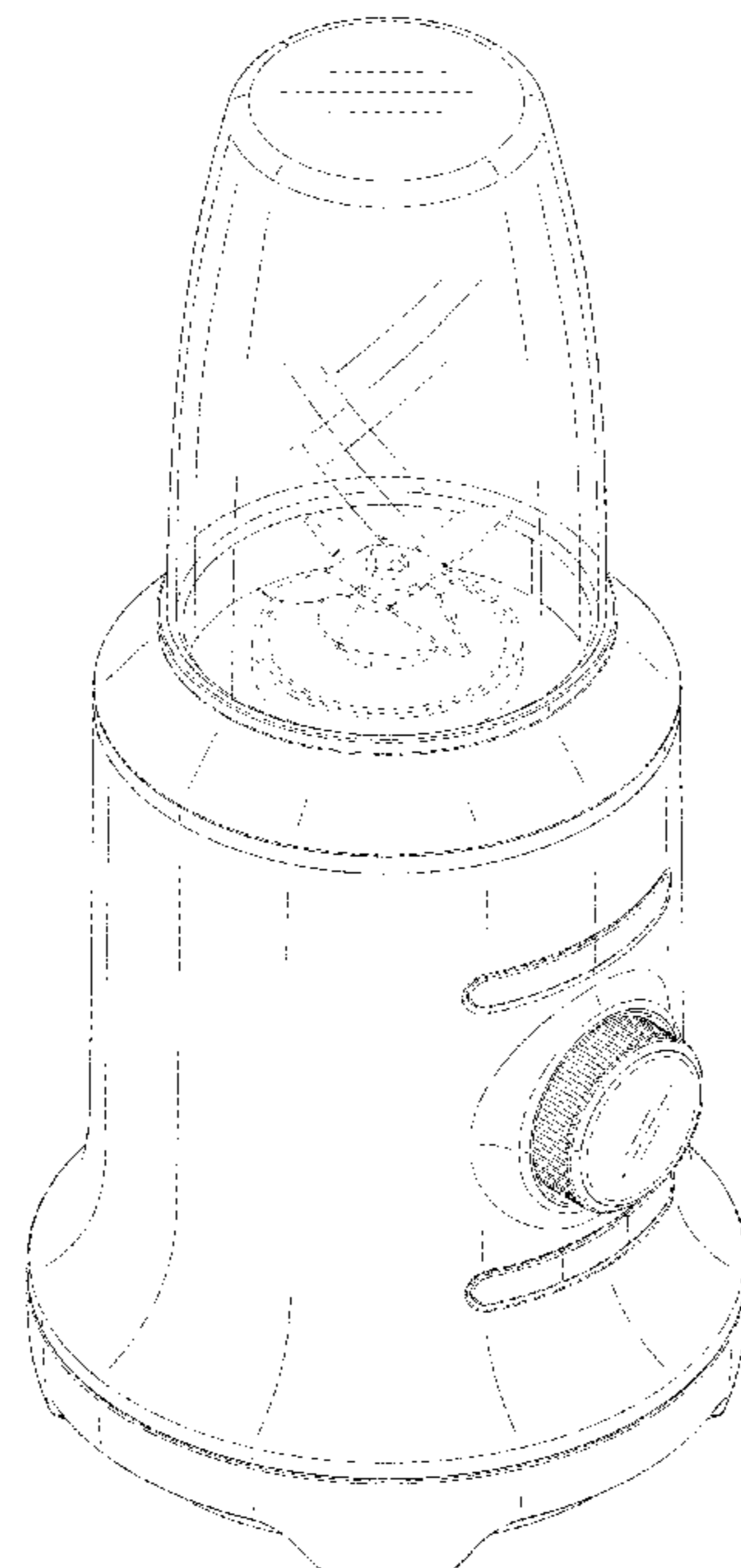
(57) **CLAIM**

The ornamental design for an electric blender, as shown and described.

DESCRIPTION

FIG. 1 is a perspective view of an electric blender showing our new design;
FIG. 2 is a front view thereof;
FIG. 3 is a rear view thereof;
FIG. 4 is a right side view thereof;
FIG. 5 is a left side view thereof;
FIG. 6 is a top view thereof; and,
FIG. 7 is a bottom view thereof.
The broken lines depict portions of the electric blender that form no part of the claimed design.

1 Claim, 7 Drawing Sheets



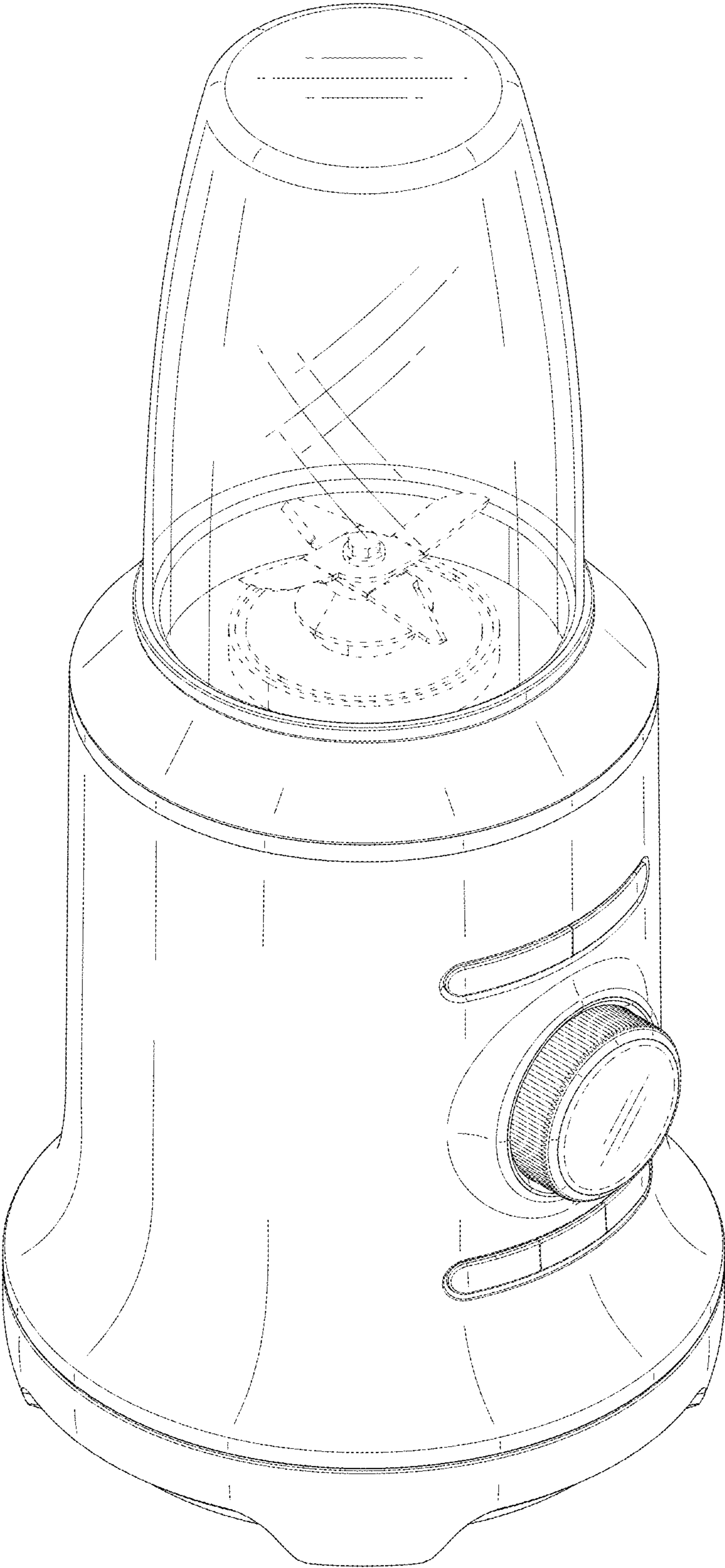


FIG.1

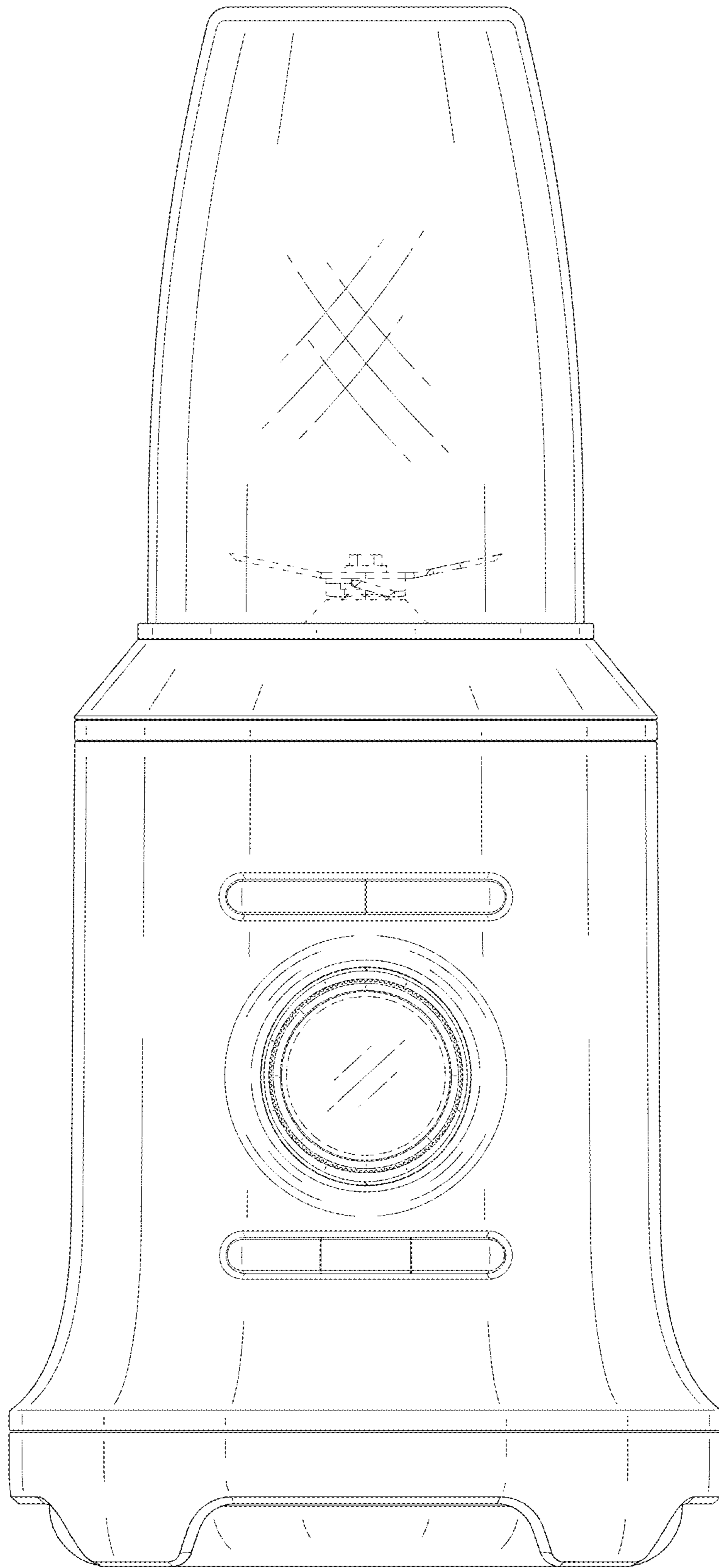


FIG. 2

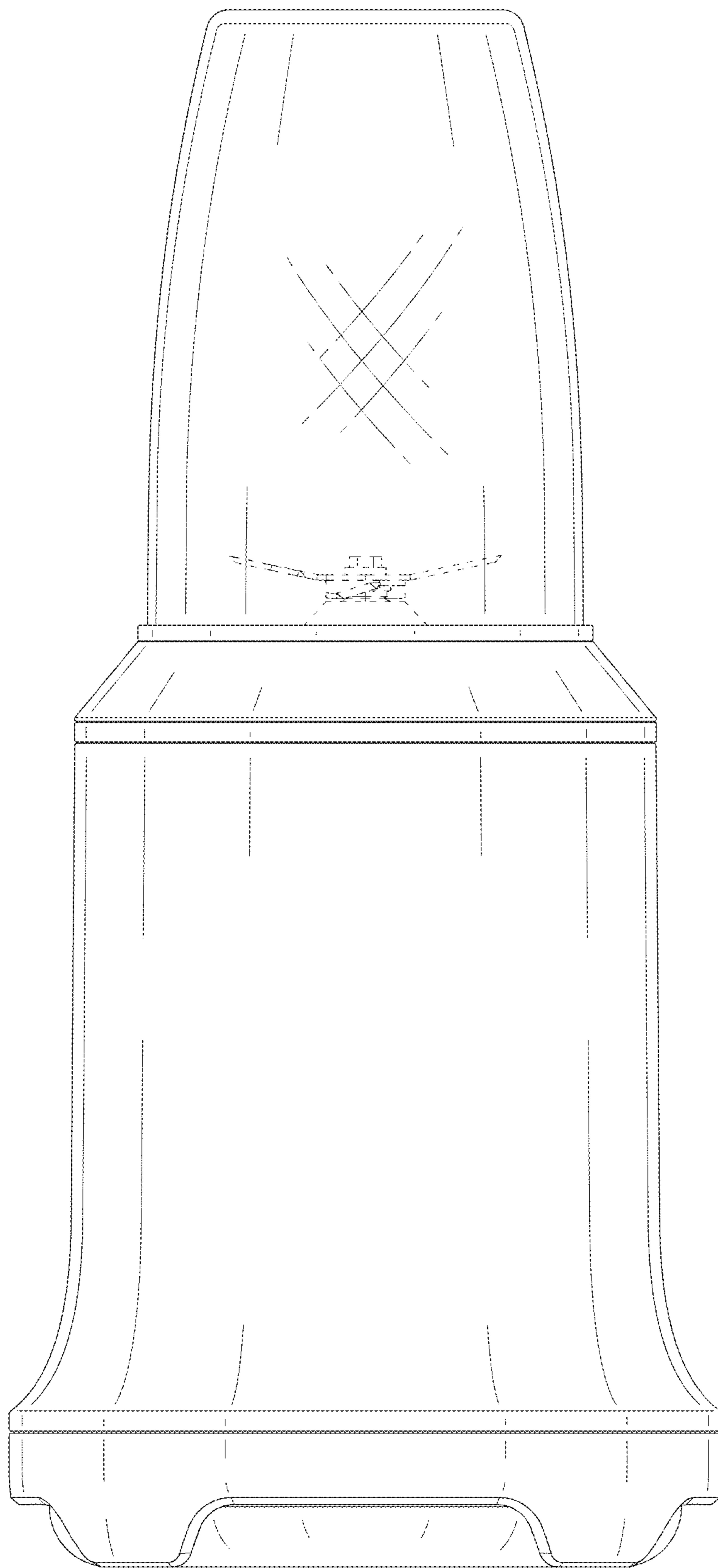


FIG. 3

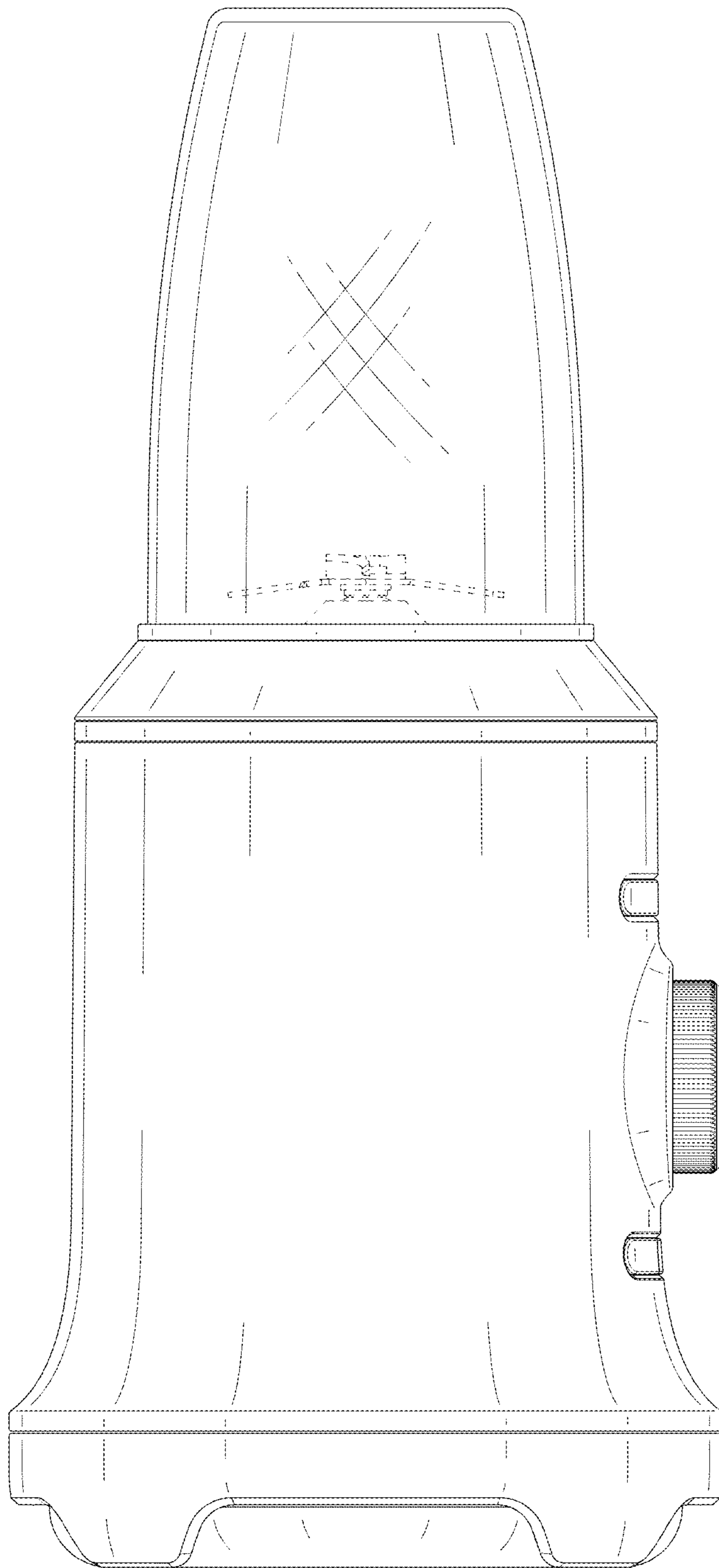


FIG.4

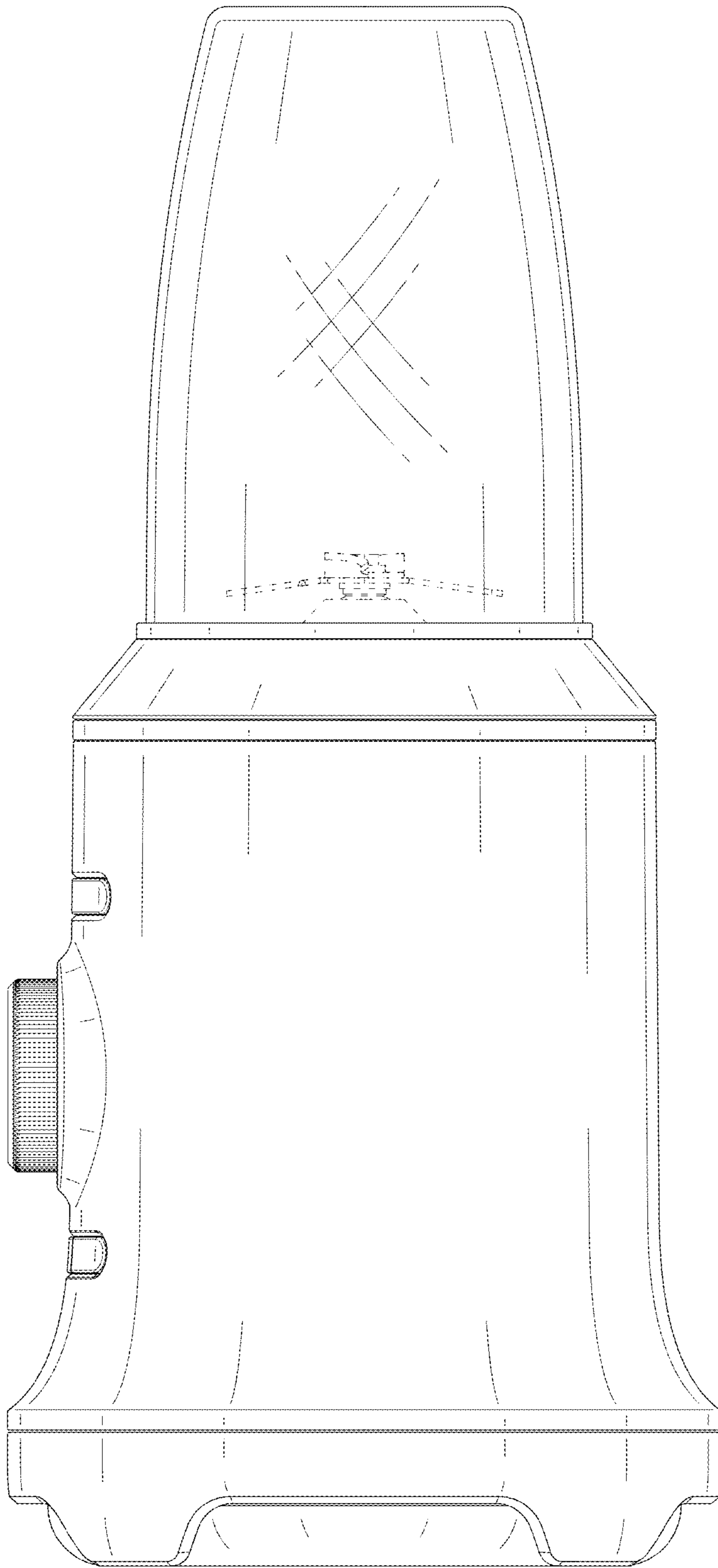


FIG. 5

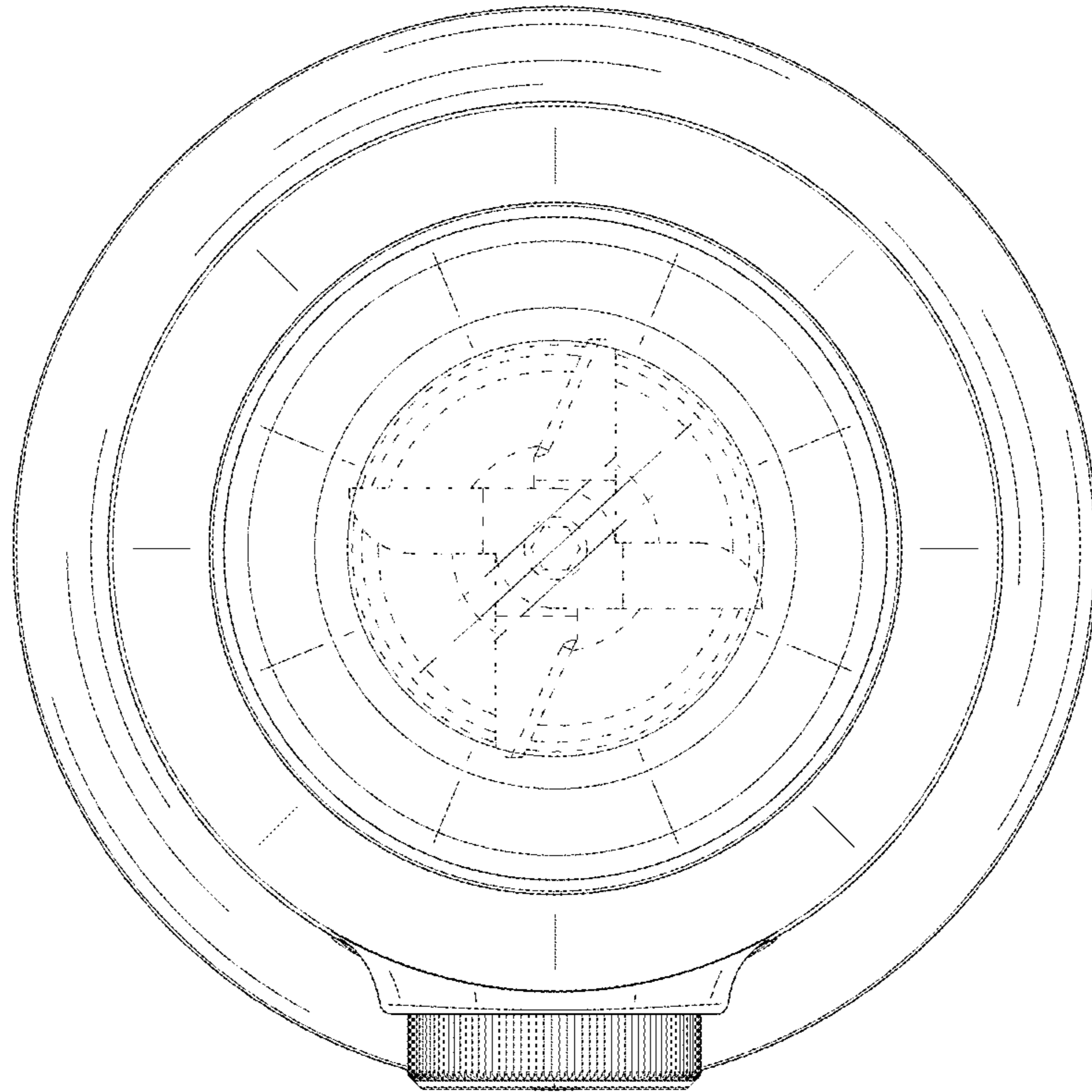


FIG.6

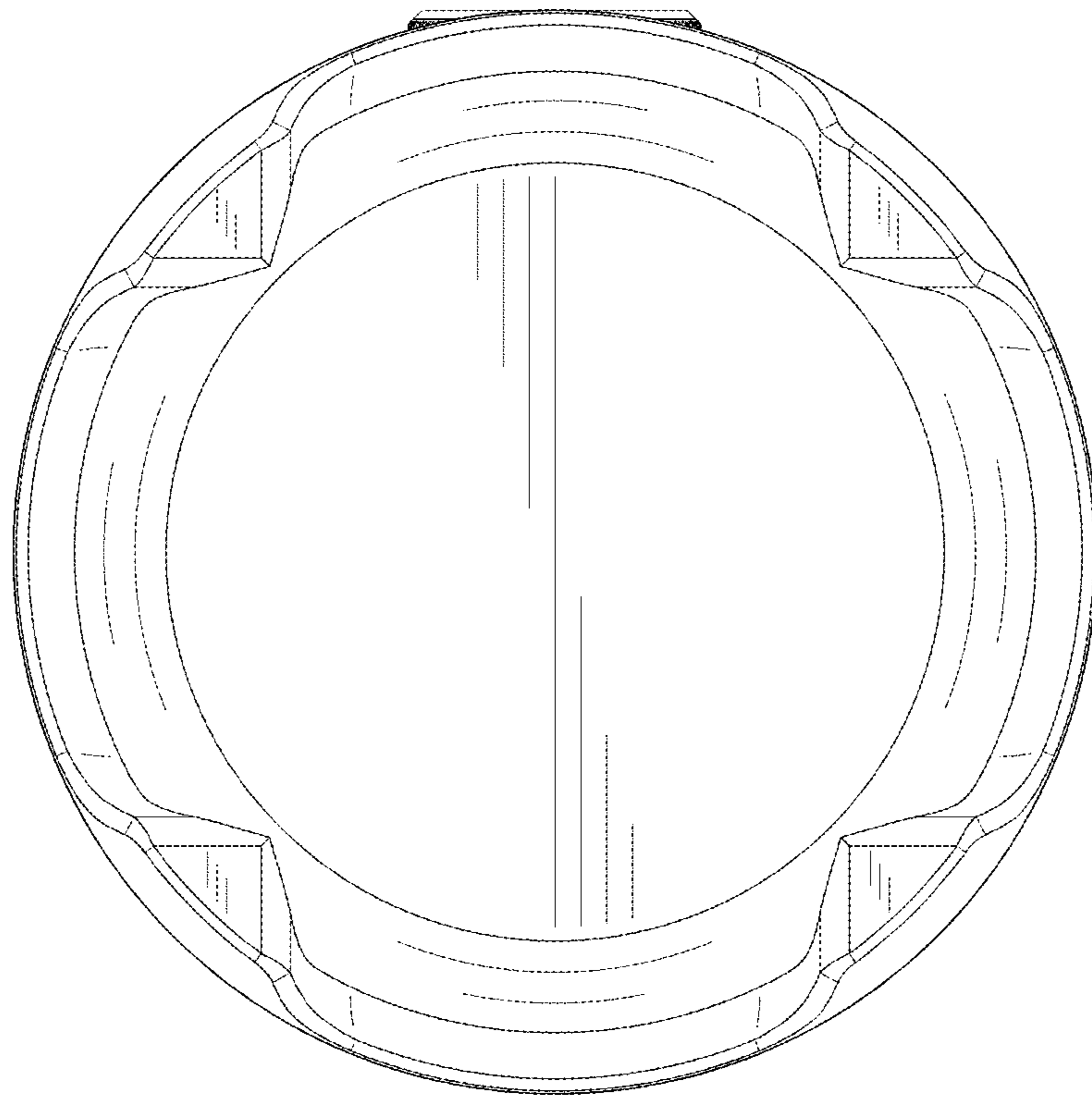


FIG. 7