



US00D921418S

(12) **United States Design Patent** (10) **Patent No.:** **US D921,418 S**  
**Thun et al.** (45) **Date of Patent:** **\*\* Jun. 8, 2021**

(54) **BLENDER**

(71) Applicant: **Zwilling J.A. Henckels AG**, Solingen (DE)

(72) Inventors: **Matteo Thun**, Mailand (IT); **Antonio Rodriguez**, Mailand (IT)

(73) Assignee: **Zwilling J.A. Henckels**, Solingen (DE)

(\*\*) Term: **15 Years**

(21) Appl. No.: **29/682,564**

(22) Filed: **Mar. 6, 2019**

(30) **Foreign Application Priority Data**

Sep. 11, 2018 (EM) ..... 005636552-0012  
Sep. 11, 2018 (EM) ..... 005636552-0013

(51) **LOC (13) Cl.** ..... **31-00**

(52) **U.S. Cl.**  
USPC ..... **D7/378**

(58) **Field of Classification Search**  
USPC ..... D7/306, 309, 372, 374, 376, 377, 378,  
D7/379, 380, 381, 383, 384, 385, 386,  
D7/412, 413, 598, 694, 669, 679  
CPC .. A47J 43/04; A47J 43/25; A47J 43/27; A47J  
43/042; A47J 43/044; A47J 43/046; A47J  
43/075; A47J 43/0722; A47J 43/0727;  
A47J 42/40; A21C 1/02; A21C 1/04;  
A23G 9/045; A23N 1/00; A23N 1/02;  
B01F 3/00; B01F 3/0807; B01F 3/0853;  
B01F 13/0059; B01F 13/0064; B02C  
1/08; B02C 2/04; B02C 4/42; B02C  
4/142; B02C 4/143; B02C 4/423; B02C  
13/1835; B28C 5/10; B28C 5/12; B28C  
5/14; B28C 5/16

See application file for complete search history.

(56) **References Cited**

U.S. PATENT DOCUMENTS

6,599,006	B1 *	7/2003	Lin	.....	A47J 43/07 366/197
D501,759	S *	2/2005	Sands	.....	D7/378
D530,975	S *	10/2006	Fernandez	.....	D7/378
D549,043	S *	8/2007	Beesley	.....	D7/374
D629,643	S *	12/2010	Bower	.....	D7/378
D755,004	S *	5/2016	Bock	.....	D7/386
D782,866	S *	4/2017	Suess	.....	D7/378
D801,109	S *	10/2017	Lee	.....	D7/386
D845,696	S *	4/2019	Ou	.....	D7/378
D852,574	S *	7/2019	McConnell	.....	D7/378
D864,655	S *	10/2019	Brook	.....	D7/386
D885,117	S *	5/2020	Kim	.....	D7/378
2016/0345779	A1 *	12/2016	Tu	.....	A47J 43/046

(Continued)

OTHER PUBLICATIONS

Zwilling Personal Blender, announced Mar. 2020 [online], retrieved Jul. 20, 2020, retrieved from internet, <https://www.williams-sonoma.com/products/zwilling-personal-blender/>.\*

(Continued)

*Primary Examiner* — Dana K Weiland  
*Assistant Examiner* — Messina L Smith  
(74) *Attorney, Agent, or Firm* — Gregory L. Mayback;  
Dickinson Wright PLLC

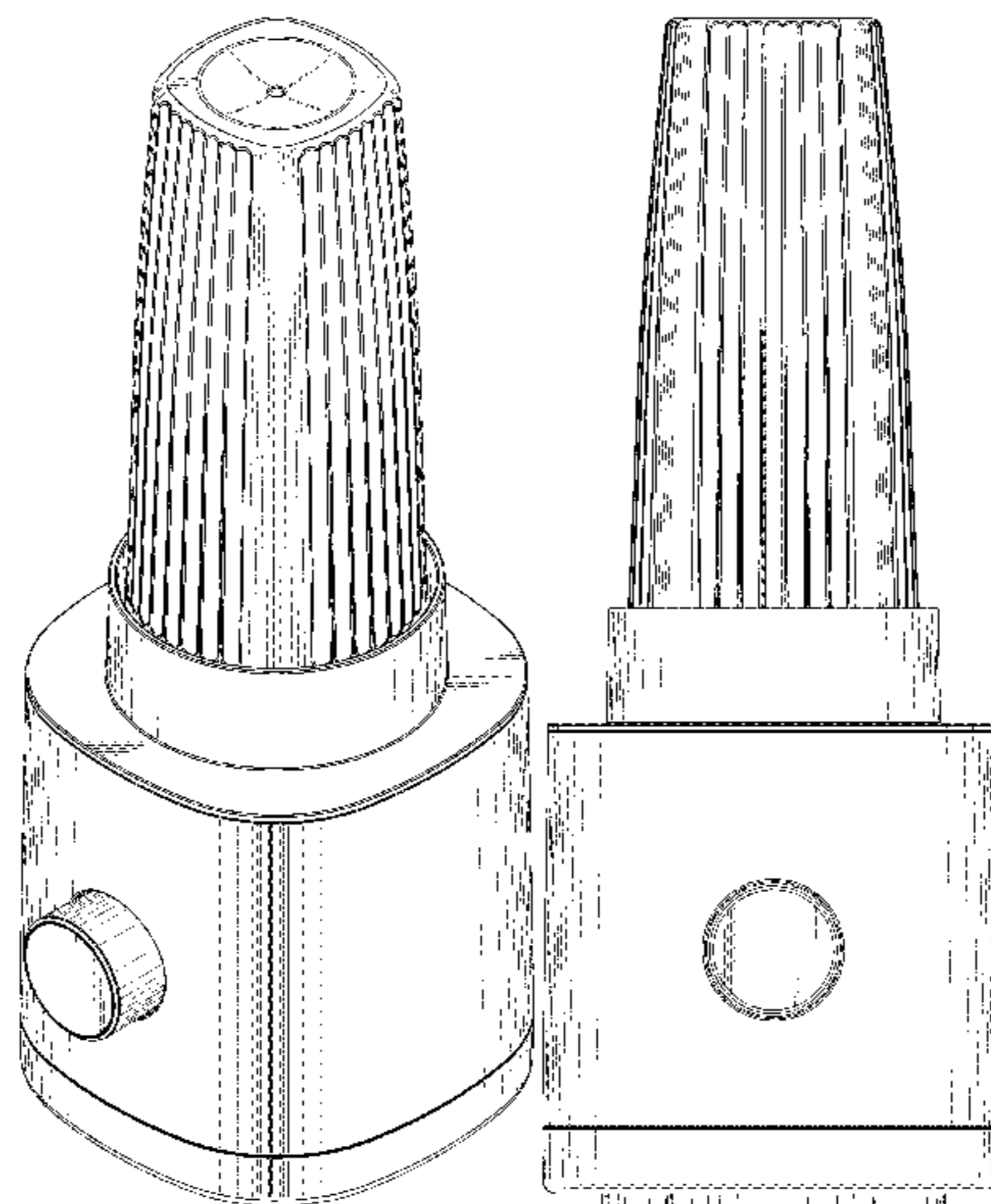
(57) **CLAIM**

The ornamental design for a blender, as shown and described.

**DESCRIPTION**

FIG. 1 is a perspective view of a blender showing our new design;  
FIG. 2 is a top plan view thereof;  
FIG. 3 is a left side elevation view thereof;  
FIG. 4 is a front elevation view thereof;  
FIG. 5 is a right side elevation view thereof;  
FIG. 6 is a rear elevation view thereof; and,  
FIG. 7 is a bottom plan view thereof.

**1 Claim, 7 Drawing Sheets**



(56)

**References Cited**

U.S. PATENT DOCUMENTS

2017/0035250 A1\* 2/2017 Pan ..... B01F 13/045  
2017/0224168 A1\* 8/2017 Lin ..... A47J 43/046  
2018/0028020 A1\* 2/2018 Sapire ..... F16F 15/08  
2019/0000275 A1\* 1/2019 Sapire ..... A47J 43/0777  
2019/0056315 A1\* 2/2019 Kinrot ..... G01N 21/3151  
2020/0078749 A1\* 3/2020 Yuan ..... A47J 43/0716

OTHER PUBLICATIONS

The Best Deals From Our ZWILLING and Henckels Sale, announced Mar. 27, 2020 [online], retrieved Jul. 20, 2020, retrieved from internet, <https://blog.kitchenstuffplus.com/best-deals-from-zwilling-and-henckels-sale/>.\*

\* cited by examiner

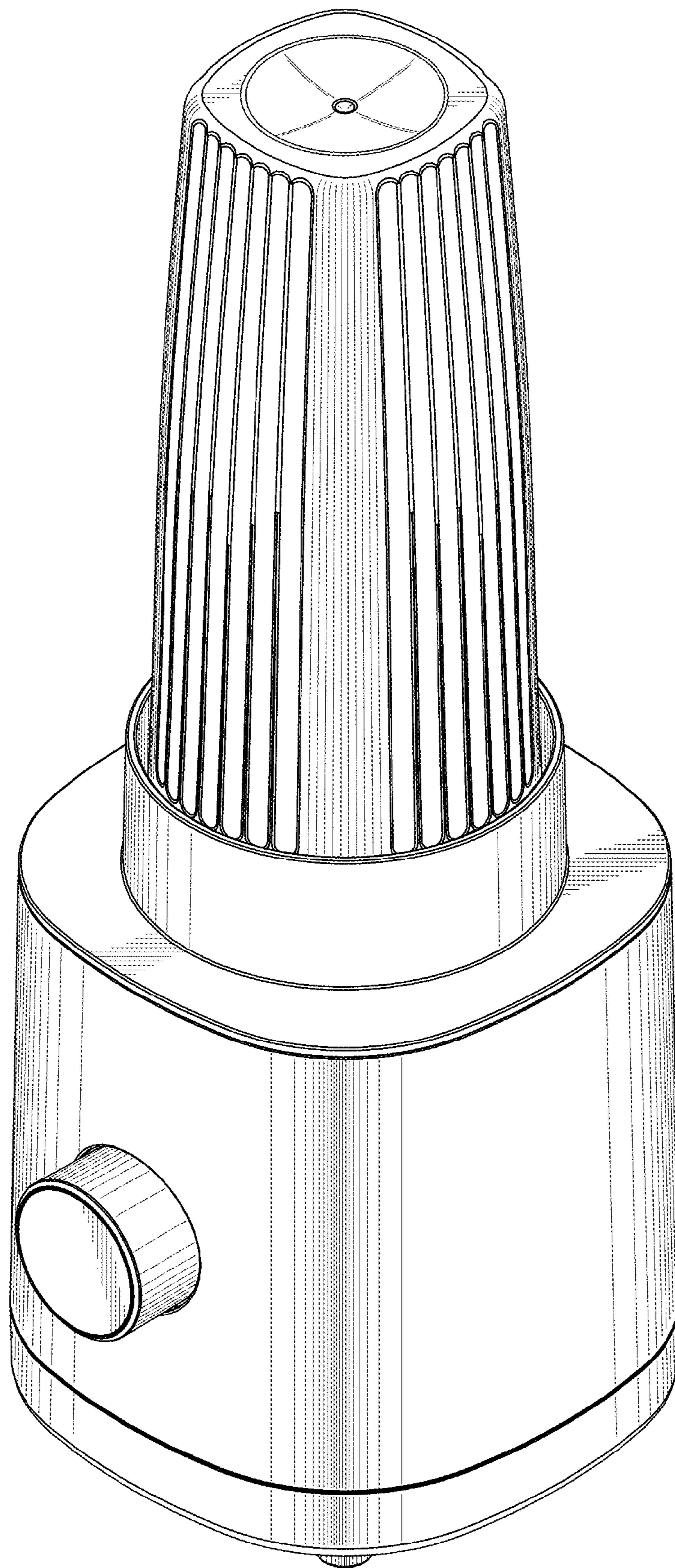


FIG. 1



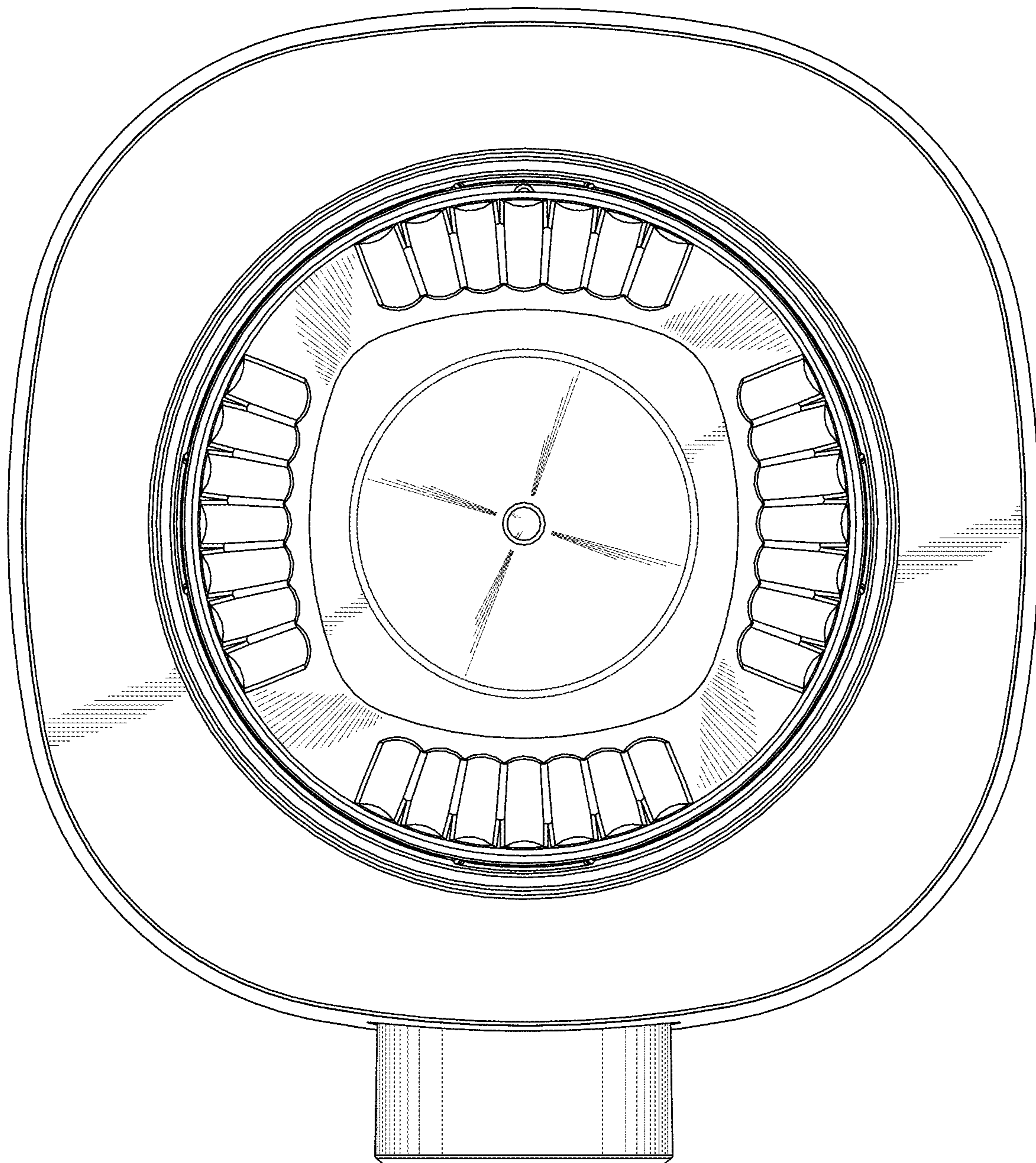


FIG. 2

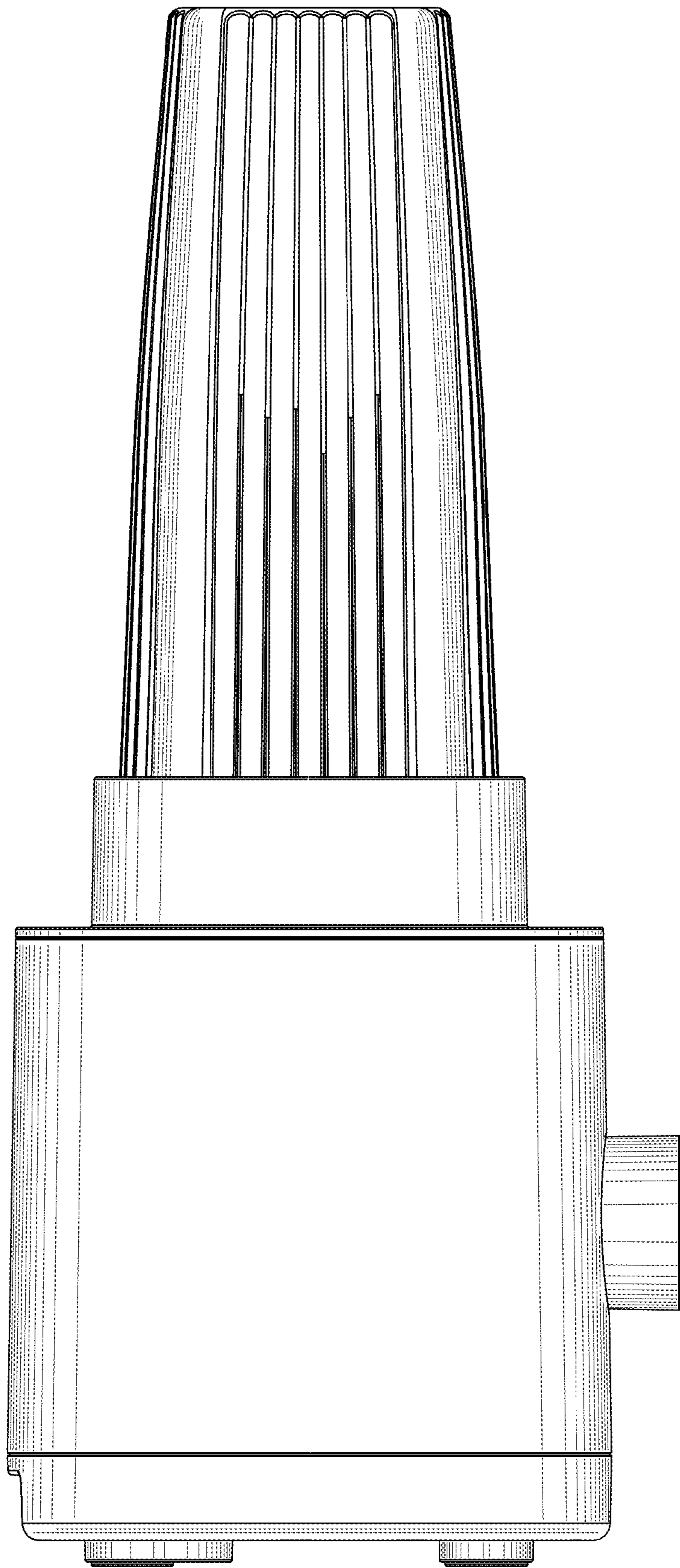


FIG. 3

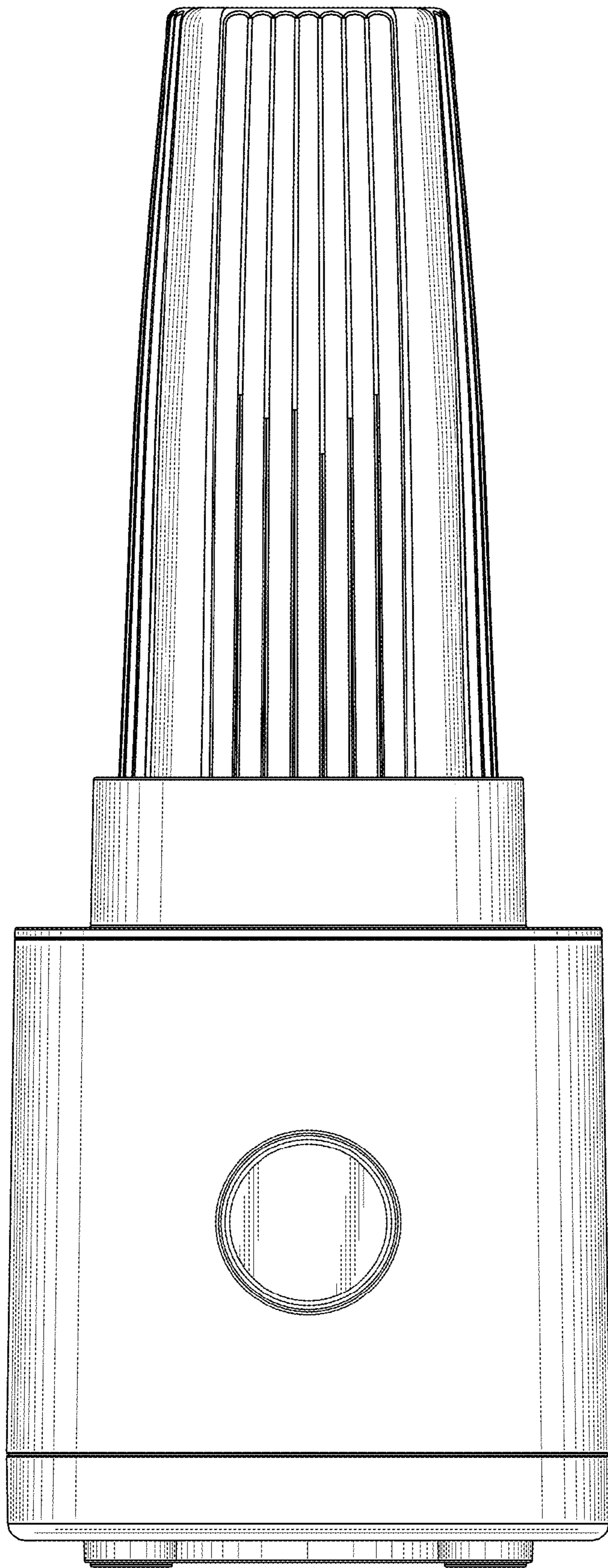


FIG. 4

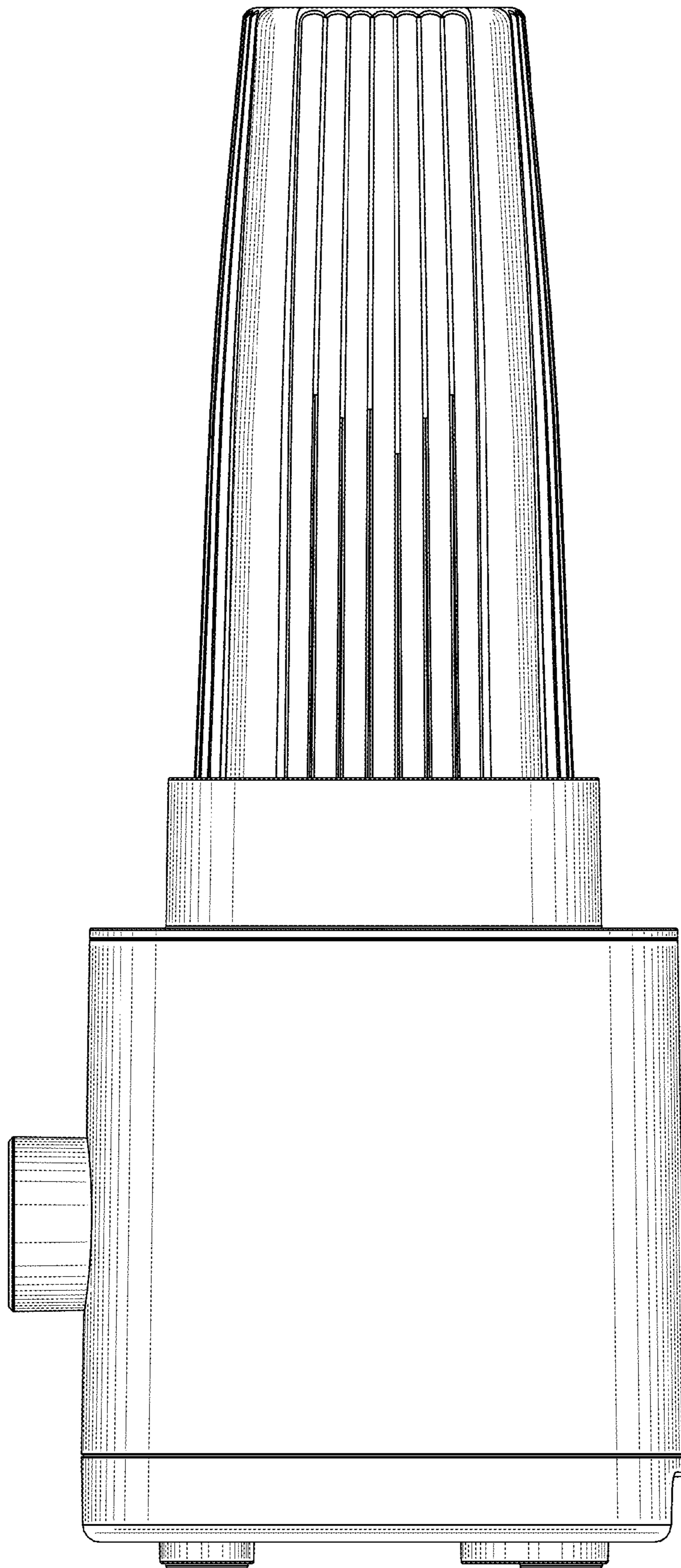


FIG. 5



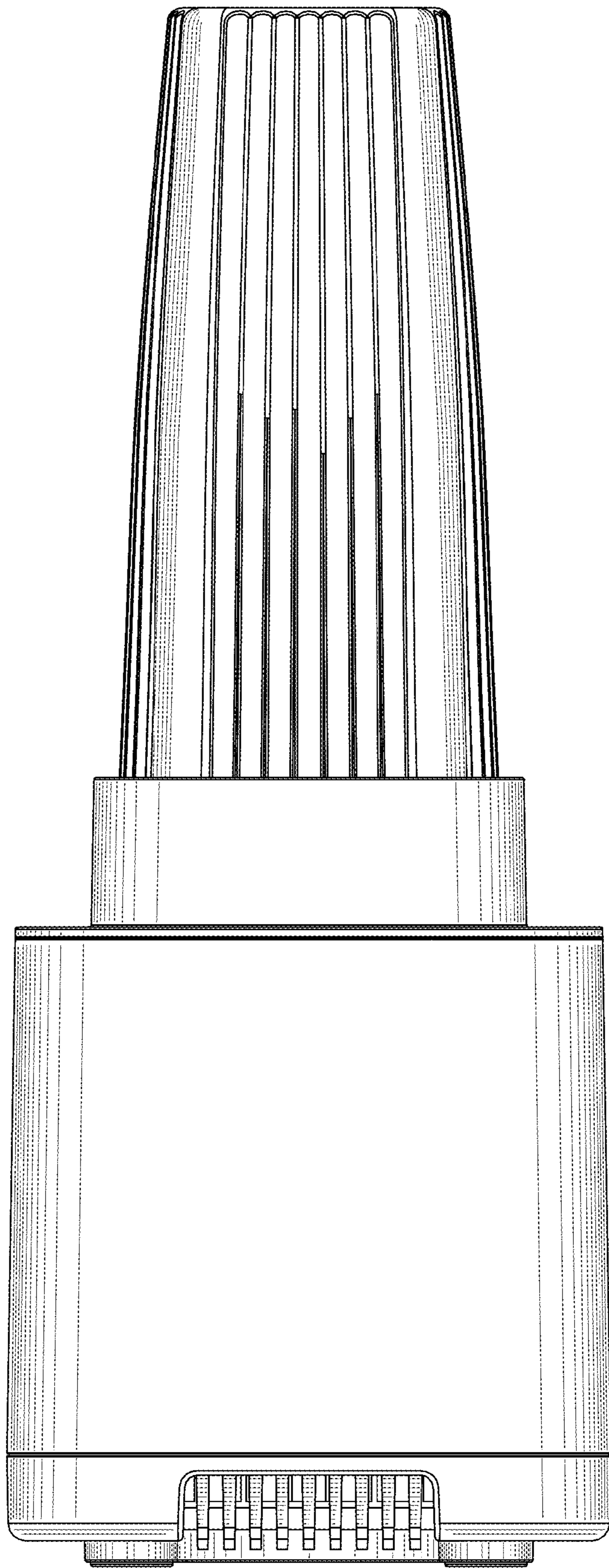


FIG. 6



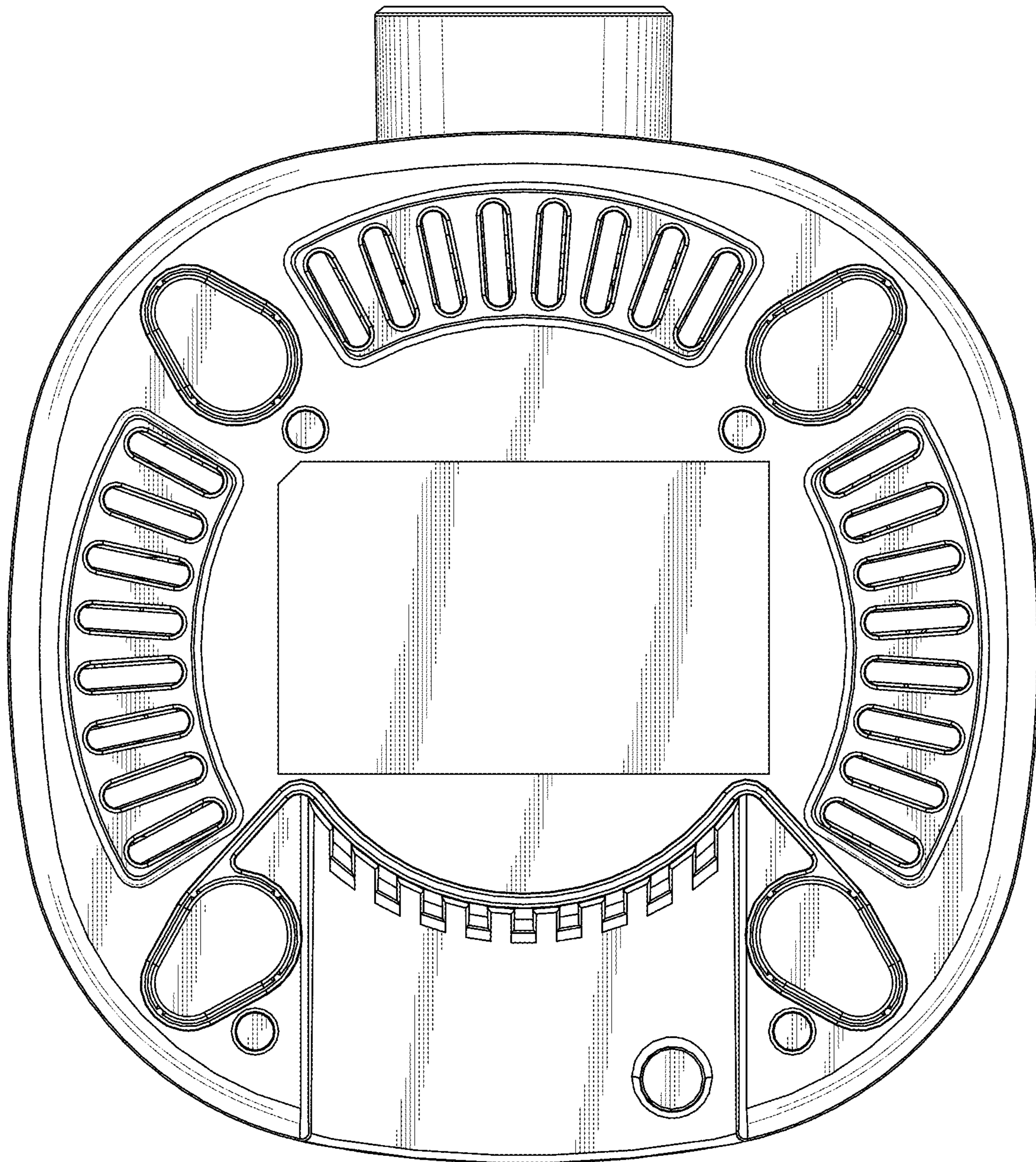


FIG. 7