



US00D921417S

(12) **United States Design Patent**  
**La Porta et al.**

(10) **Patent No.:** **US D921,417 S**

(45) **Date of Patent:** **\*\* Jun. 8, 2021**

(54) **GRINDER**

(71) Applicant: **Dallas La Porta**, West Vancouver (CA)

(72) Inventors: **Dallas Ryan La Porta**, West Vancouver (CA); **Matthew Hunsberger**, West Vancouver (CA)

(73) Assignee: **Dallas La Porta**, West Vancouver (CA)

(\*\*) Term: **15 Years**

(21) Appl. No.: **29/667,427**

(22) Filed: **Oct. 22, 2018**

(30) **Foreign Application Priority Data**

Apr. 24, 2018 (CA) ..... CA 181030

(51) **LOC (13) Cl.** ..... **31-00**

(52) **U.S. Cl.**  
USPC ..... **D7/372; D7/412**

(58) **Field of Classification Search**  
USPC ..... D7/372, 376-386, 665-666, 669, D7/678-679, 693-694  
CPC ..... A01F 2015/07; A01F 2015/077; A01F 2015/0775; A23N 1/00; A23N 1/02; A47J 19/00; A47J 19/005; A47J 19/02; A47J  
(Continued)

(56) **References Cited**

**U.S. PATENT DOCUMENTS**

5,360,170 A \* 11/1994 Cartellone ..... A47J 43/0705 241/169.1  
D378,653 S \* 4/1997 Richardi ..... D7/679  
(Continued)

**OTHER PUBLICATIONS**

“Cigarette Rolling Machine Loader Roller Filler” by packNpuff. Accessed Jan. 18, 2019. <<https://www.amazon.com/Cigarette-Rolling->

Machine-Filler-Cigarettes/dp/B0736GD8CW/ref=sr\_1\_1?ie=UTF8 &keywords=packNpuff&qid=1547851144&sr=8-1>.

(Continued)

*Primary Examiner* — Ricky Pham

(74) *Attorney, Agent, or Firm* — Oyen Wiggs Green & Mutala LLP

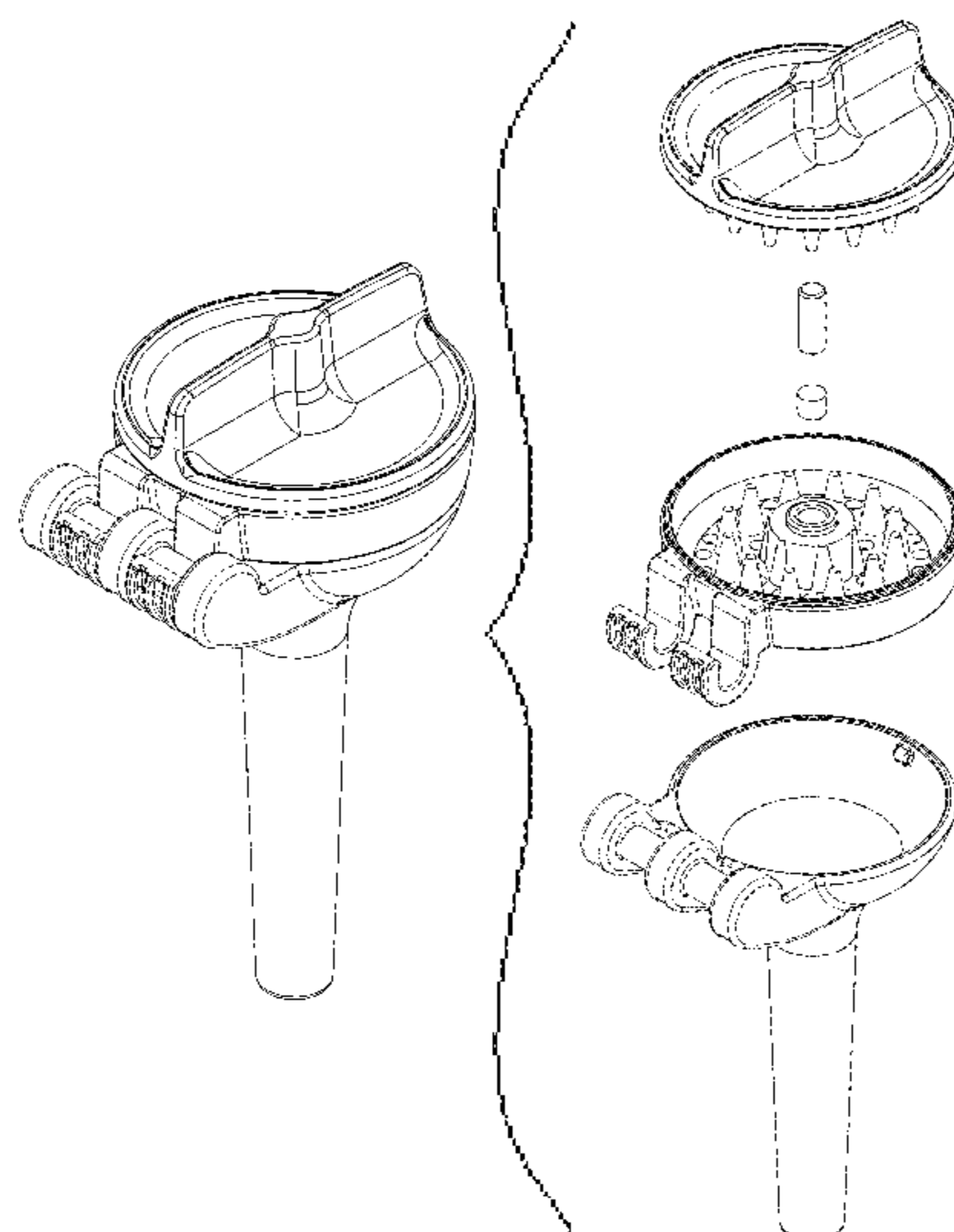
(57) **CLAIM**

The ornamental design for a grinder, as shown and described.

**DESCRIPTION**

FIG. 1 is a first perspective view of a grinder showing the design;  
FIG. 2 is a top view thereof;  
FIG. 3 is a bottom view thereof;  
FIG. 4 is a right side view thereof;  
FIG. 5 is a left side view thereof;  
FIG. 6 is a front view thereof;  
FIG. 7 is a sectional view taken along line R-R in FIG. 6;  
FIG. 8 is a rear view thereof;  
FIG. 9 is an exploded view thereof showing how the top, middle section and bottom portion of the grinder fit together;  
FIG. 10 is a perspective view thereof with the top and middle section of the grinder in the raised or opened position;  
FIG. 11 is a perspective view of the bottom portion of the grinder, with the top and middle section omitted for clarity;  
FIG. 12 is a top view of the bottom portion of the grinder, with the top and middle section omitted for clarity;  
FIG. 13 is a perspective view of the top portion of the grinder with the bottom and middle section omitted for clarity; and,  
FIG. 14 is a bottom view of the top portion of the grinder with the bottom and middle section omitted for clarity.  
The portions of the grinder shown in broken lines form no part of the claimed design.

**1 Claim, 13 Drawing Sheets**



(58) **Field of Classification Search**

CPC . 19/04; A47J 19/06; A47J 42/14; A47J 42/26;  
 A47J 42/30; A47J 42/32; A47J 42/34;  
 A47J 42/36; A47J 43/044; A47J 43/0705;  
 A47J 43/25; A47J 43/255; A47J 43/288;  
 B01F 7/26; B01F 7/28; B01F 11/0082;  
 B01F 13/04; B02C 13/00; B02C 13/02;  
 B02C 13/10; B02C 18/06; B02C 18/08;  
 B02C 18/24; B02C 18/26; B02C 18/30;  
 B02C 18/302; B02C 18/304; B02C  
 18/305; B02C 25/00; B02C 2002/00;  
 B02C 2013/00; B02C 2013/14; B02C  
 2013/145; B02C 2013/18; B02C  
 2013/1807; B02C 2013/1857; B02C  
 2013/1864; B30B 9/00; B30B 9/16; B30B  
 9/18; B30B 9/20; B30B 9/26; B30B  
 9/205; B30B 9/207

See application file for complete search history.

(56) **References Cited**

U.S. PATENT DOCUMENTS

7,422,170 B2 \* 9/2008 Bao ..... B02C 18/24  
 241/168  
 D635,413 S \* 4/2011 Griffin ..... D7/693  
 8,393,563 B2 \* 3/2013 Chaoui ..... B02C 18/24  
 241/168  
 D689,347 S \* 9/2013 Hainbach ..... D7/693  
 9,474,419 B2 \* 10/2016 Schneider ..... A47J 43/288  
 9,730,554 B2 \* 8/2017 Chan ..... B02C 18/08  
 D874,868 S \* 2/2020 Trakselis ..... D7/378  
 2012/0097774 A1 \* 4/2012 Hainbach ..... A47J 42/14  
 241/101.2

2013/0214068 A1 \* 8/2013 Camitta ..... B02C 18/24  
 241/25  
 2016/0106262 A1 \* 4/2016 Mroue ..... A47J 42/30  
 241/79  
 2016/0270597 A1 \* 9/2016 Walczak ..... A47J 42/26

OTHER PUBLICATIONS

“Otto” by Banana Bros. Accessed Jan. 18, 2019. <[https://www.amazon.com/stores/page/5652B790-4F32-48E5-A4BE-2C4ADC64448?ingress=0&visitId=3d379b02-1d18-4560-9d41-e085ef911dbe&lp\\_slot=auto-sparkle-hsa-tetris&store\\_ref=SB\\_A0604505321FM8NXRC045](https://www.amazon.com/stores/page/5652B790-4F32-48E5-A4BE-2C4ADC64448?ingress=0&visitId=3d379b02-1d18-4560-9d41-e085ef911dbe&lp_slot=auto-sparkle-hsa-tetris&store_ref=SB_A0604505321FM8NXRC045)>.

“Cone Artist Cone Roller” by Cone Artist, Raw, Torpedo. Accessed Jan. 18, 2019. <[https://www.amazon.com/Bundle-Cone-Artist-Cone-Raw-Torpedo/dp/B07CBFB315/ref=sr\\_1\\_1?keywords=Cone+Artist+Cone+Roller&qid=1547833945&sr=8-1](https://www.amazon.com/Bundle-Cone-Artist-Cone-Raw-Torpedo/dp/B07CBFB315/ref=sr_1_1?keywords=Cone+Artist+Cone+Roller&qid=1547833945&sr=8-1)>.

“The Grindarolla Grinder Cone Loader Filler Storage System” by Grindarolla. Accessed Jan. 18, 2019. <[https://www.amazon.com/Grindarolla-Grinder-Loader-Filler-Storage/dp/B01LX19O9C/ref=sr\\_1\\_fknull\\_1?keywords=The+Grindarolla+Grinder&qid=1547833973&sr=8-1-fknull](https://www.amazon.com/Grindarolla-Grinder-Loader-Filler-Storage/dp/B01LX19O9C/ref=sr_1_fknull_1?keywords=The+Grindarolla+Grinder&qid=1547833973&sr=8-1-fknull)>.

“RAW Natural Rolling Papers Cone Shooter—Cone Filler Machine” by RAW. Accessed Jan. 18, 2019. <[https://www.amazon.com/RAW-Natural-Rolling-Cone-Shooter/dp/B00KLEOB1E/ref=sr\\_1\\_fknull\\_2?keywords=Raw+Natural+Rolling+Papers+Cone+Shooter++Cone+Filler+Machine&qid=1547851054&sr=8-2-fknull](https://www.amazon.com/RAW-Natural-Rolling-Cone-Shooter/dp/B00KLEOB1E/ref=sr_1_fknull_2?keywords=Raw+Natural+Rolling+Papers+Cone+Shooter++Cone+Filler+Machine&qid=1547851054&sr=8-2-fknull)>.

“RAW Six Shooter | Cone Loader Filling Device” by RAW. Accessed Jan. 18, 2019. <[https://www.amazon.com/RAW-Shooter-Loader-Filling-Device/dp/B07HSRZNVG/ref=sr\\_1\\_1?crid=3BYUR5O6CN8LS&keywords=raw+six+shooter&qid=1547834081&sprefix=RAW+six+sho%2Caps%2C190&sr=8-1](https://www.amazon.com/RAW-Shooter-Loader-Filling-Device/dp/B07HSRZNVG/ref=sr_1_1?crid=3BYUR5O6CN8LS&keywords=raw+six+shooter&qid=1547834081&sprefix=RAW+six+sho%2Caps%2C190&sr=8-1)>.

\* cited by examiner

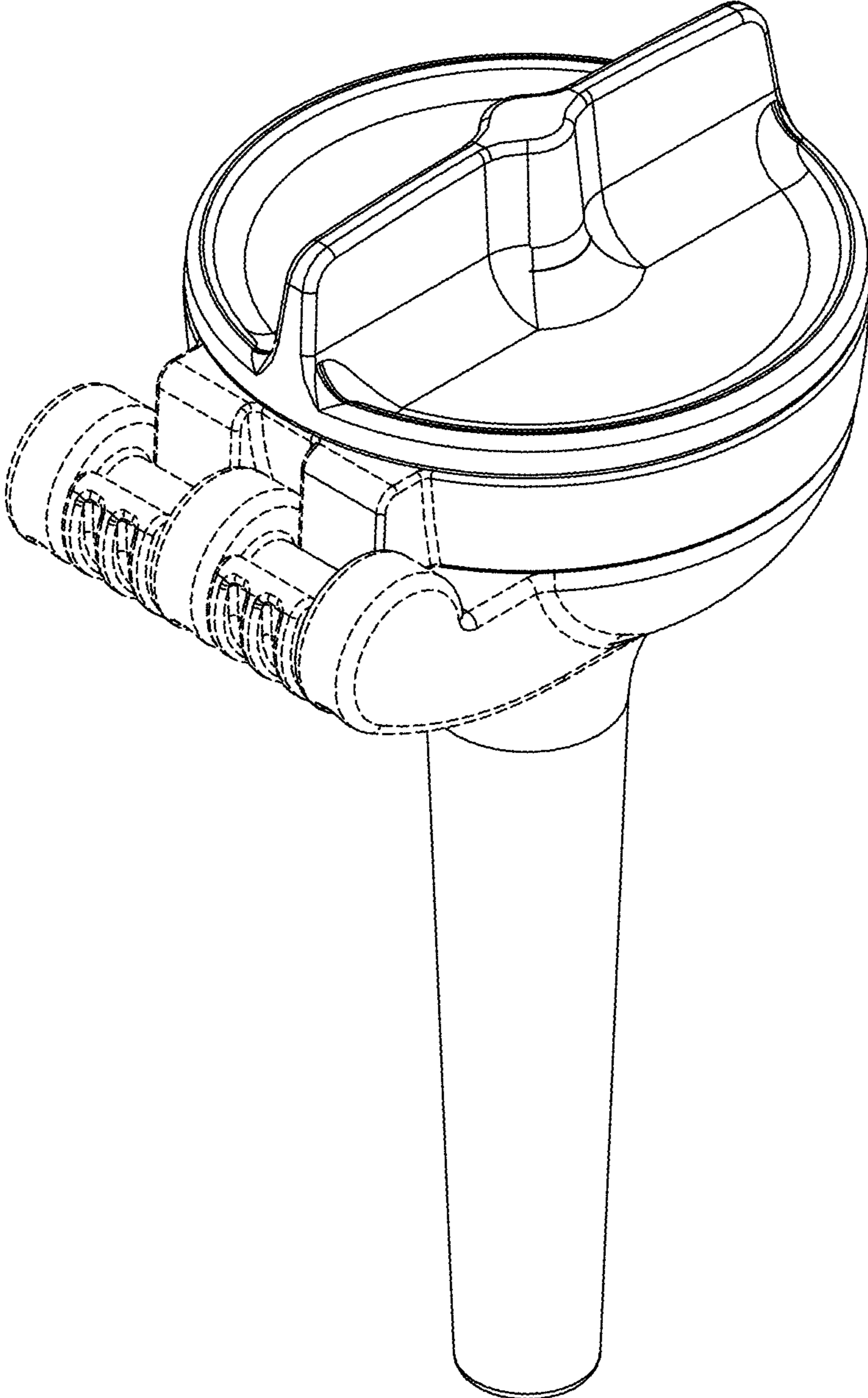


FIG. 1

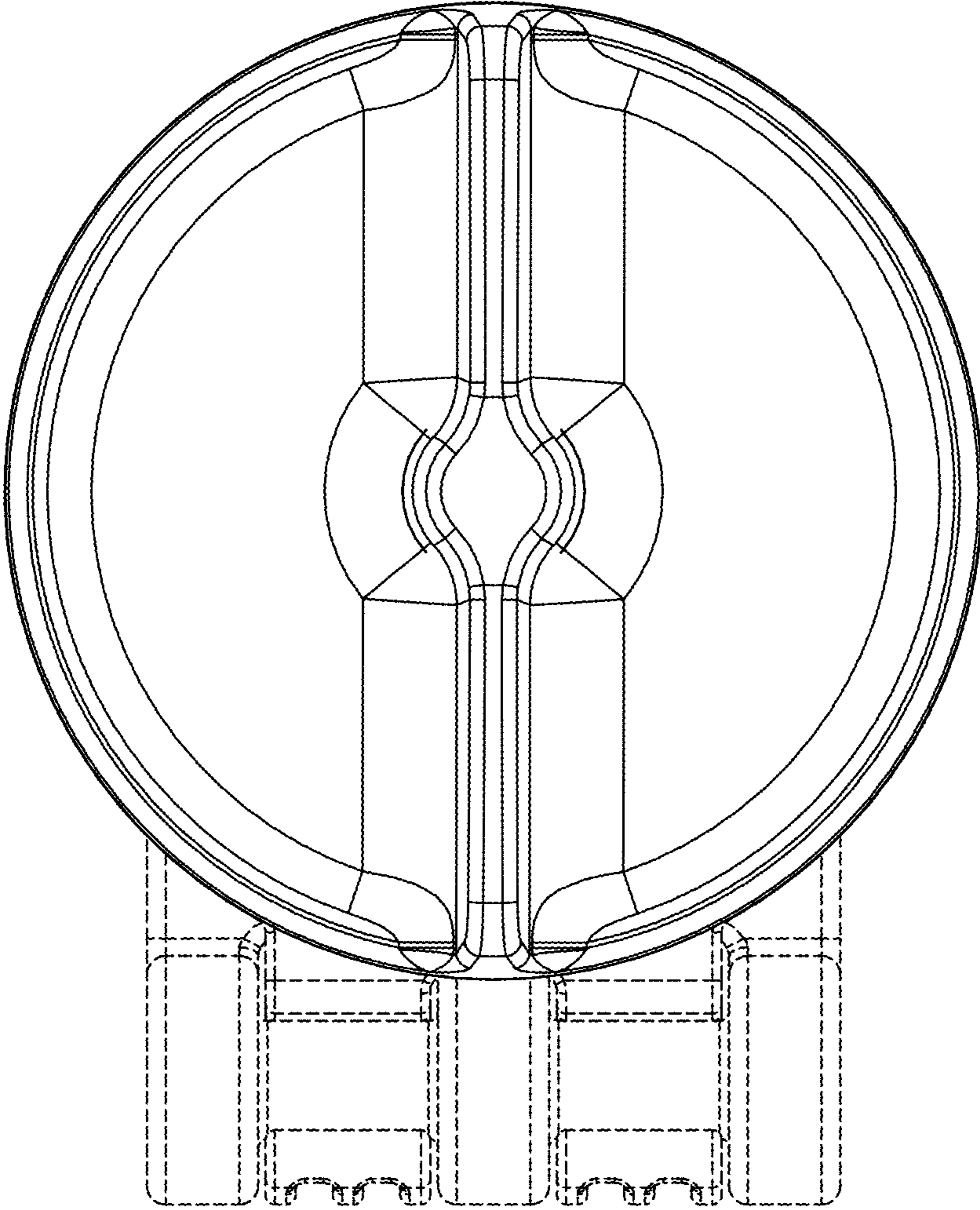


FIG. 2

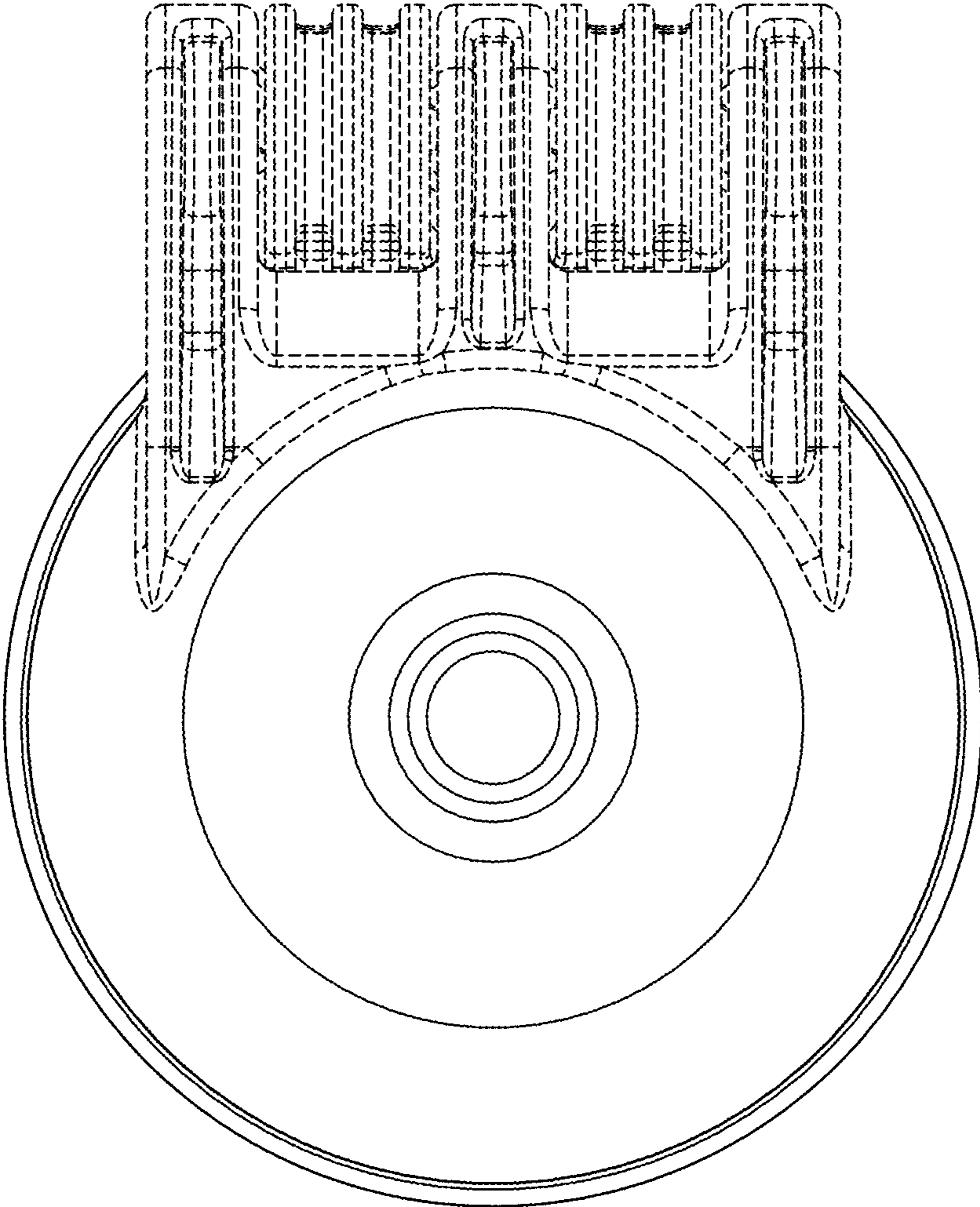


FIG. 3

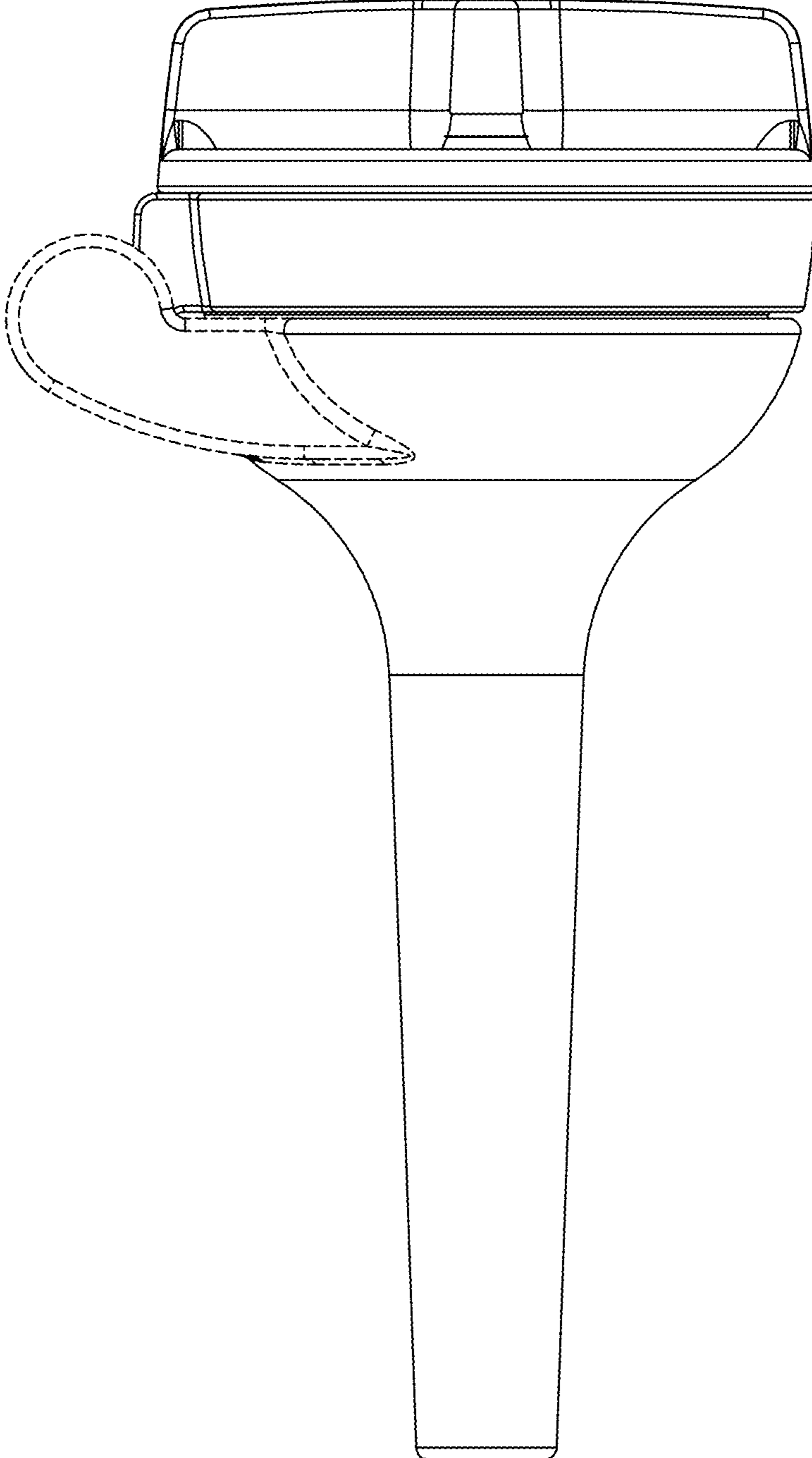


FIG. 4

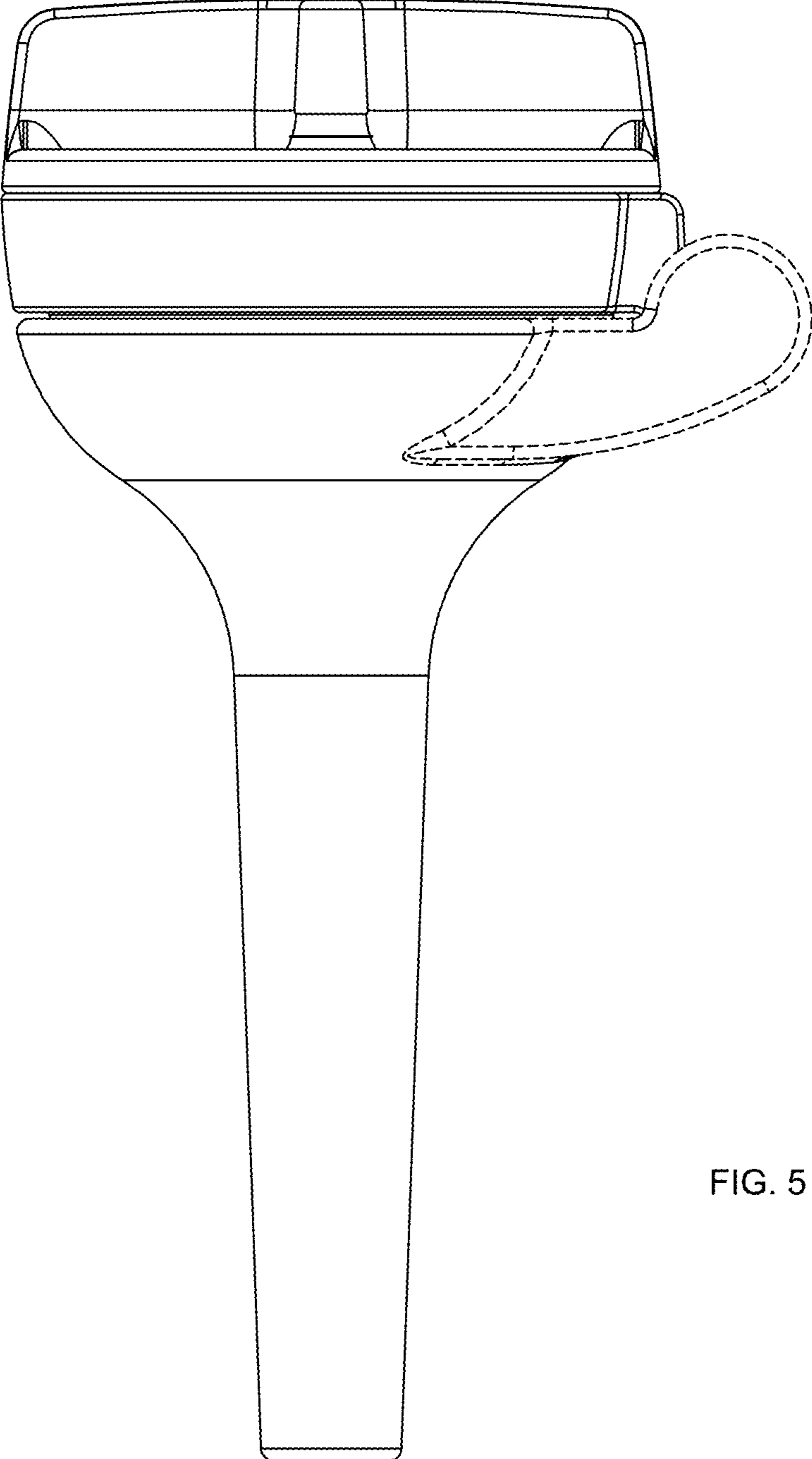
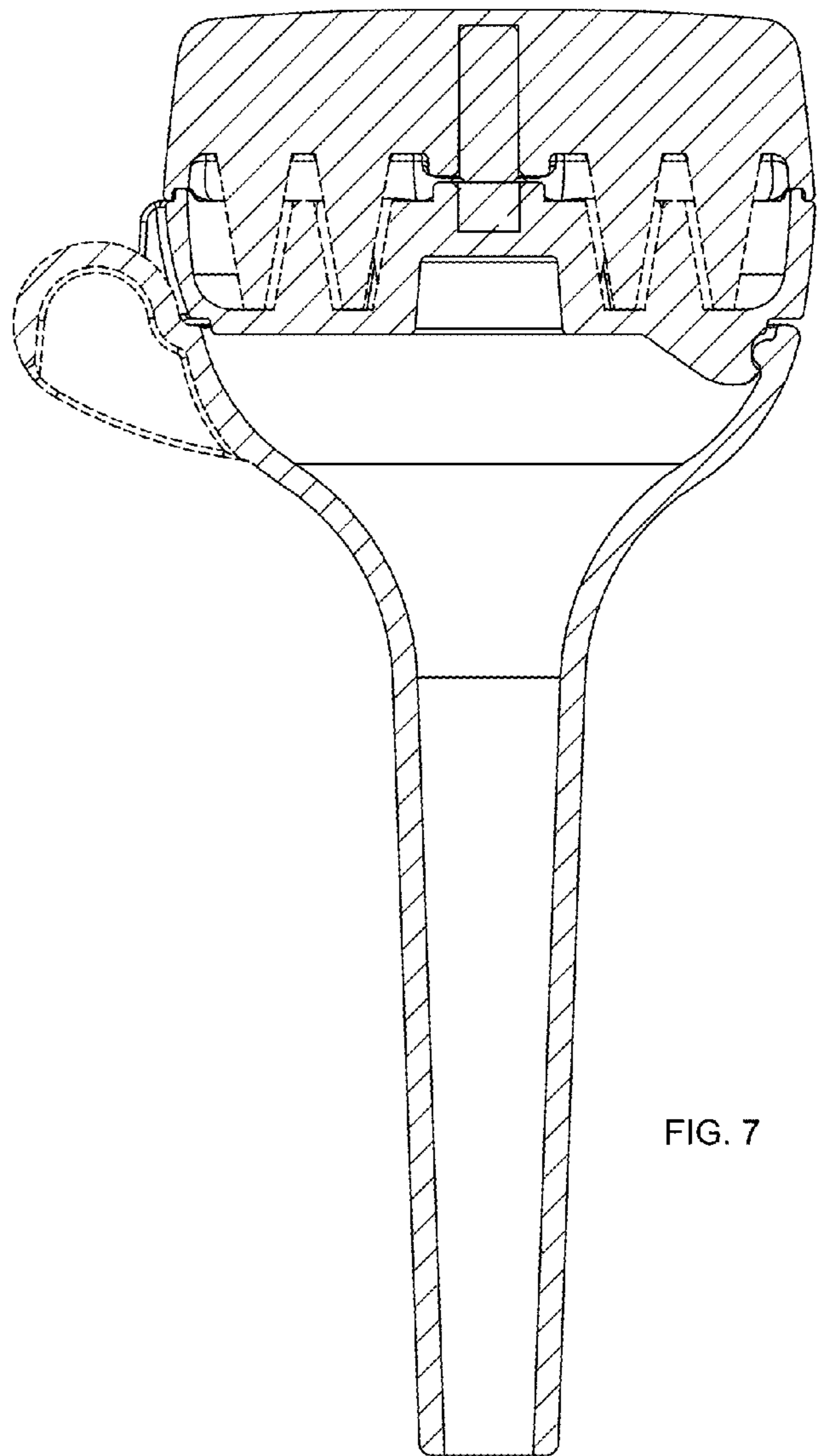
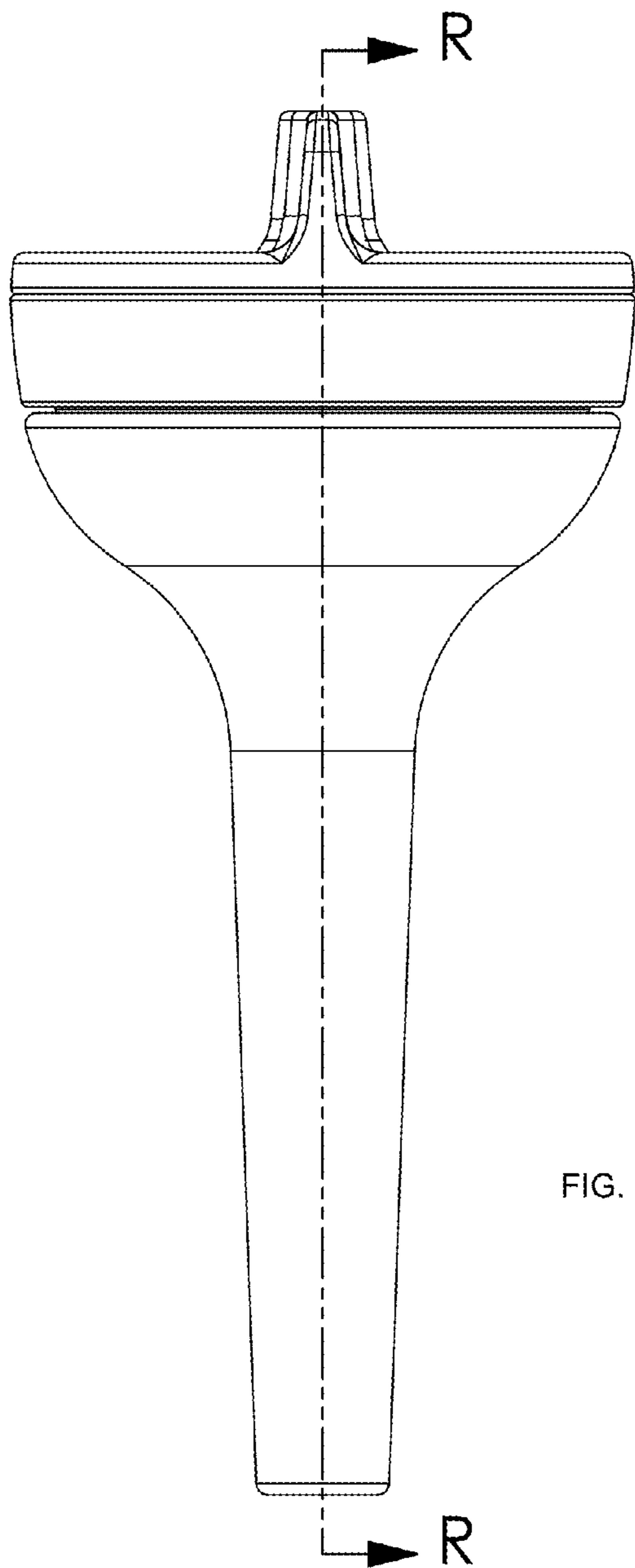


FIG. 5





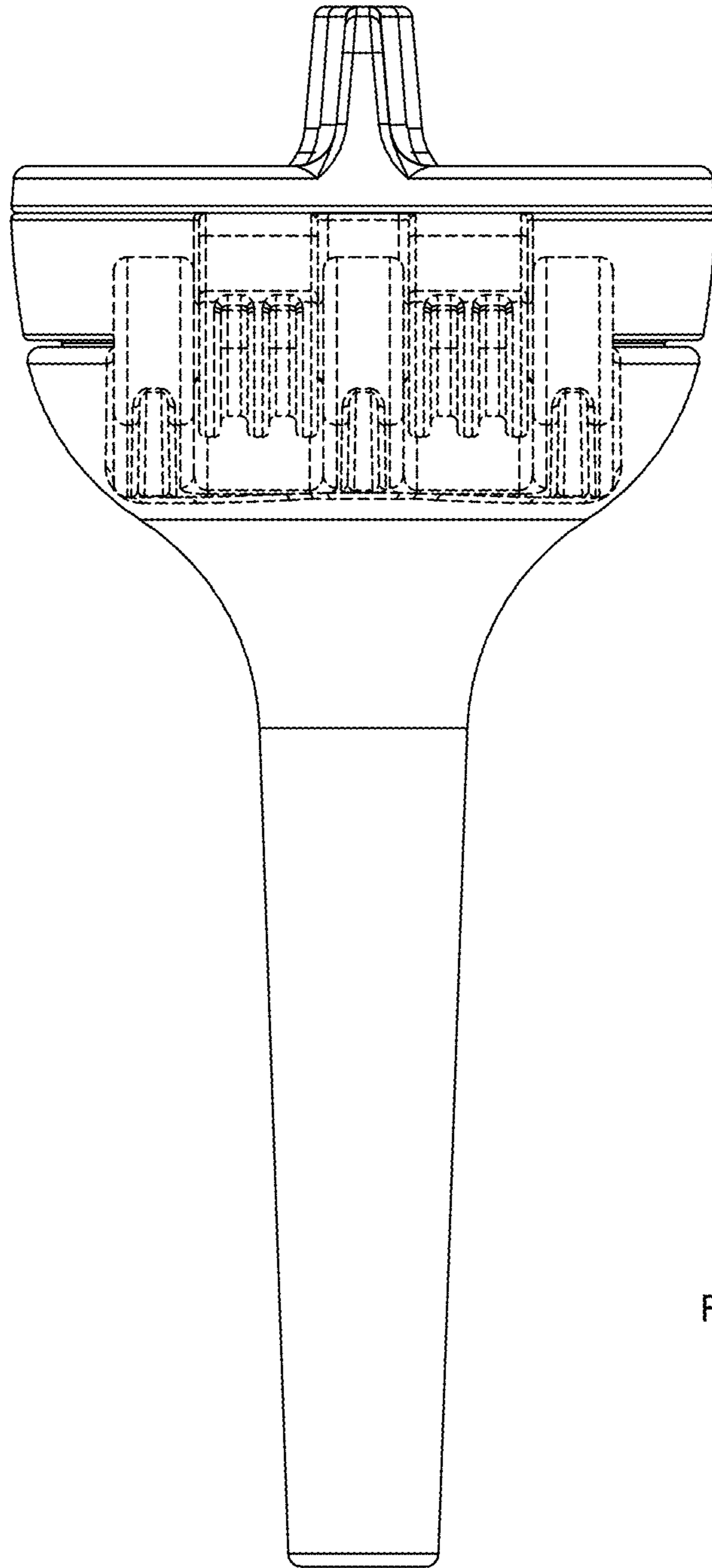


FIG. 8

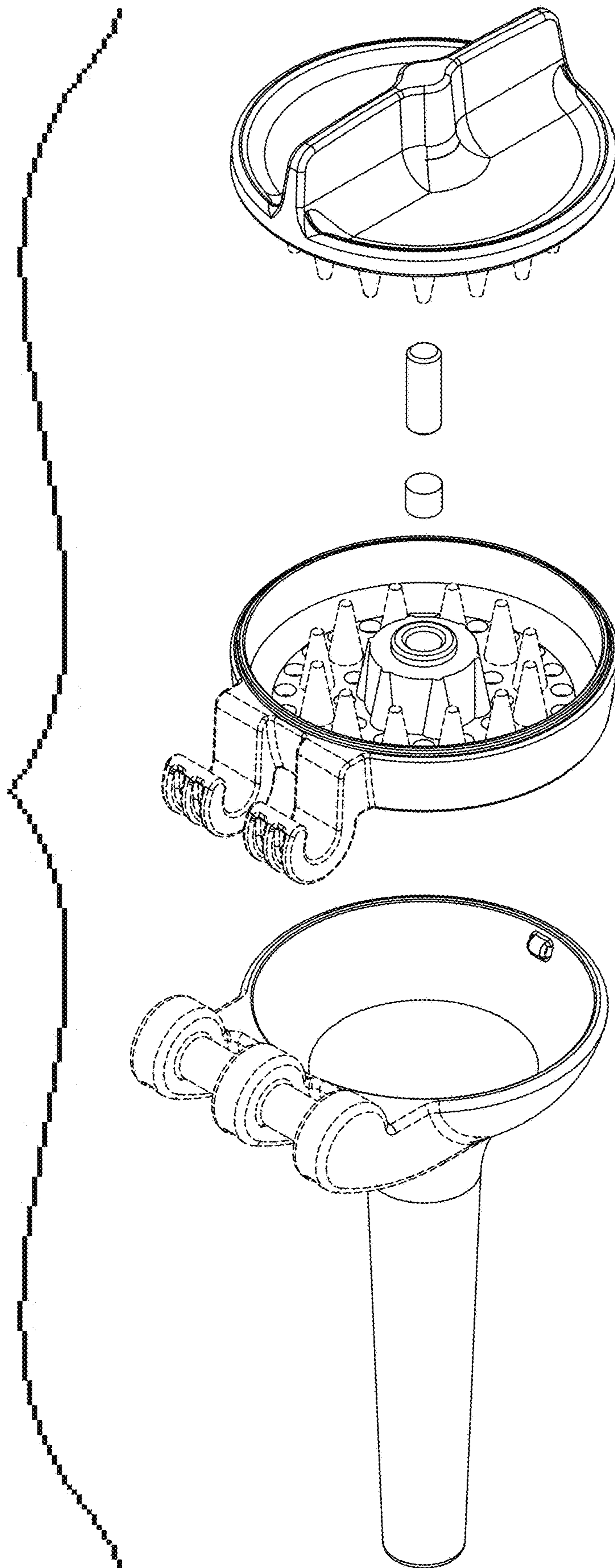


FIG. 9

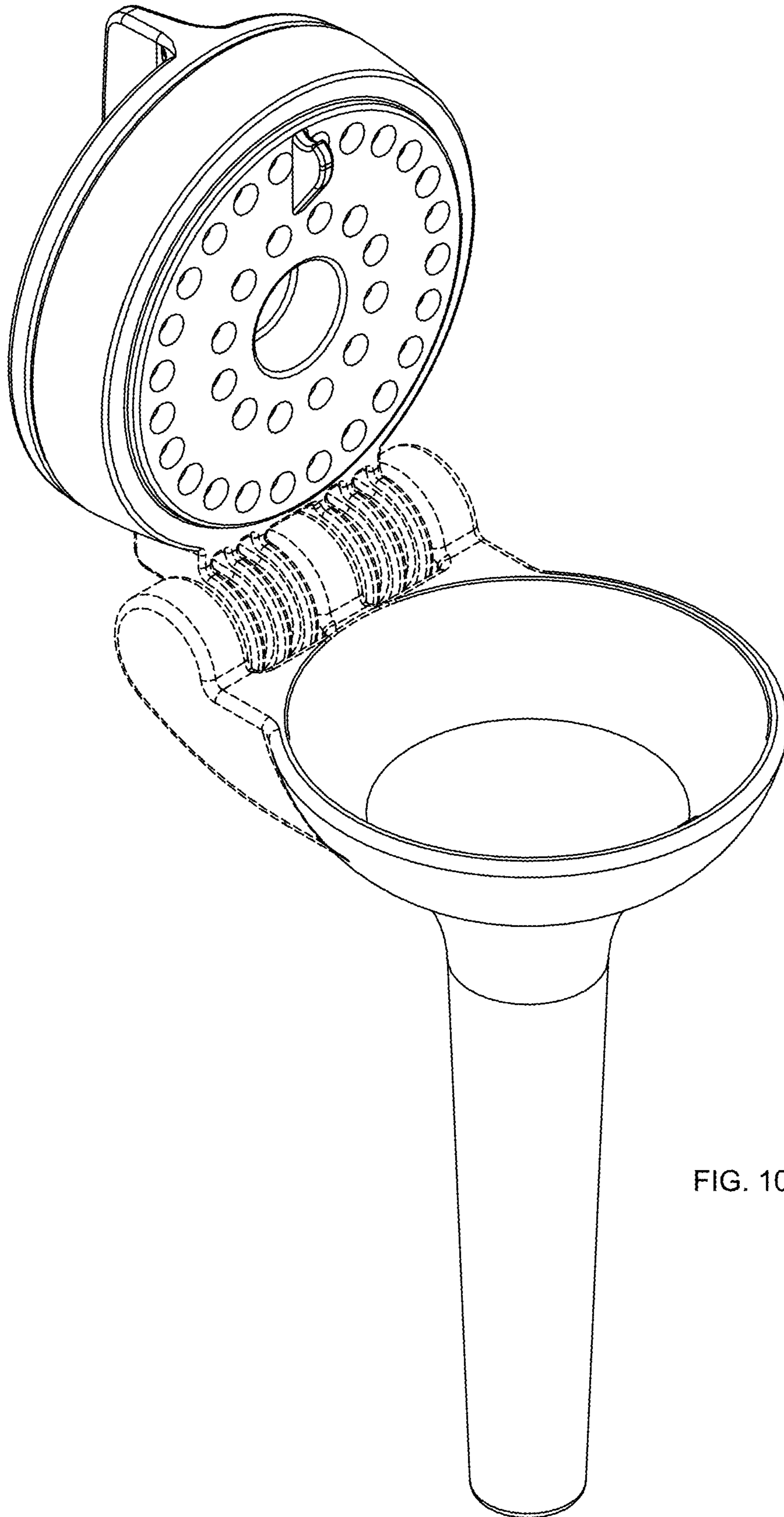


FIG. 10

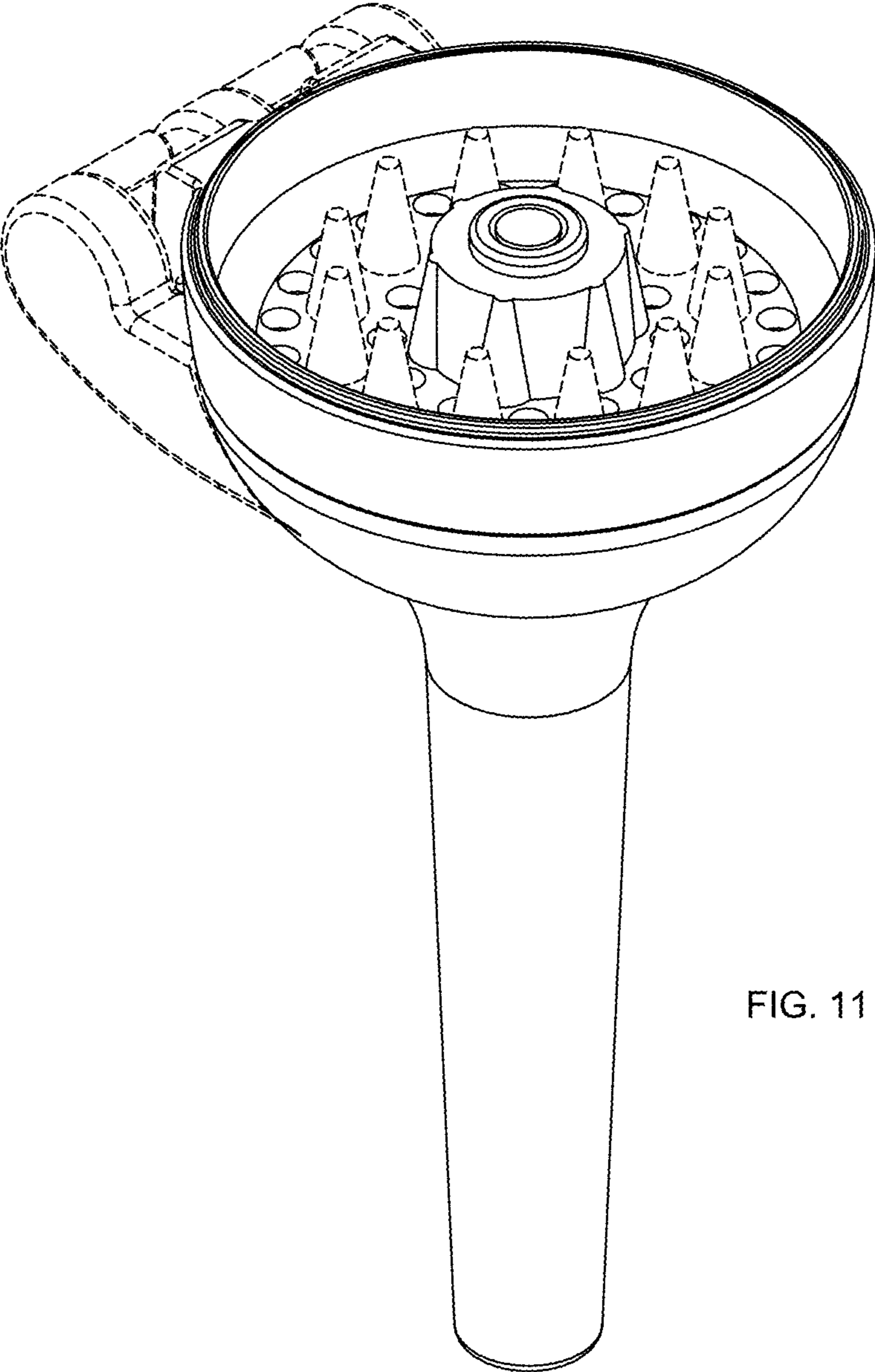


FIG. 11

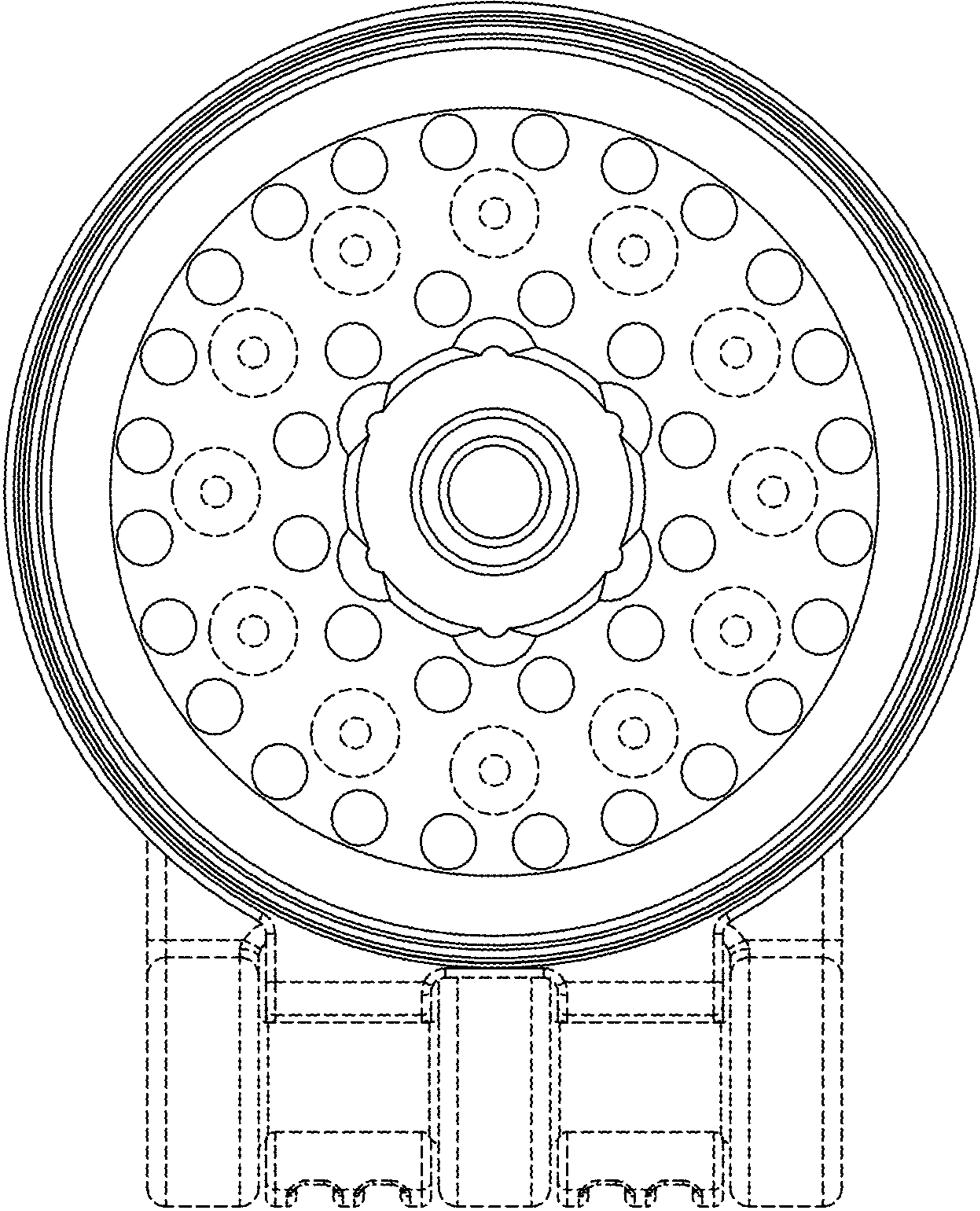


FIG. 12

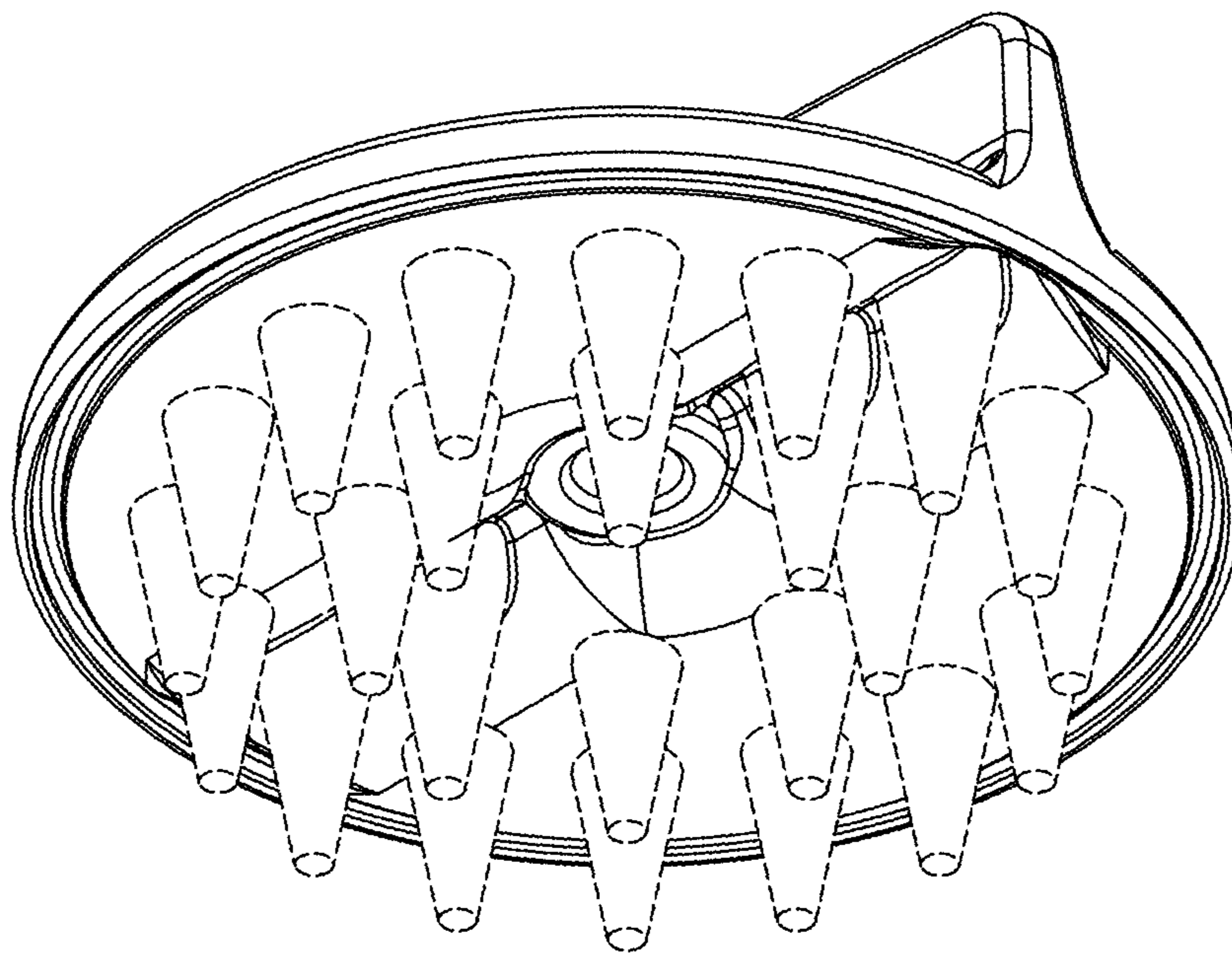


FIG. 13

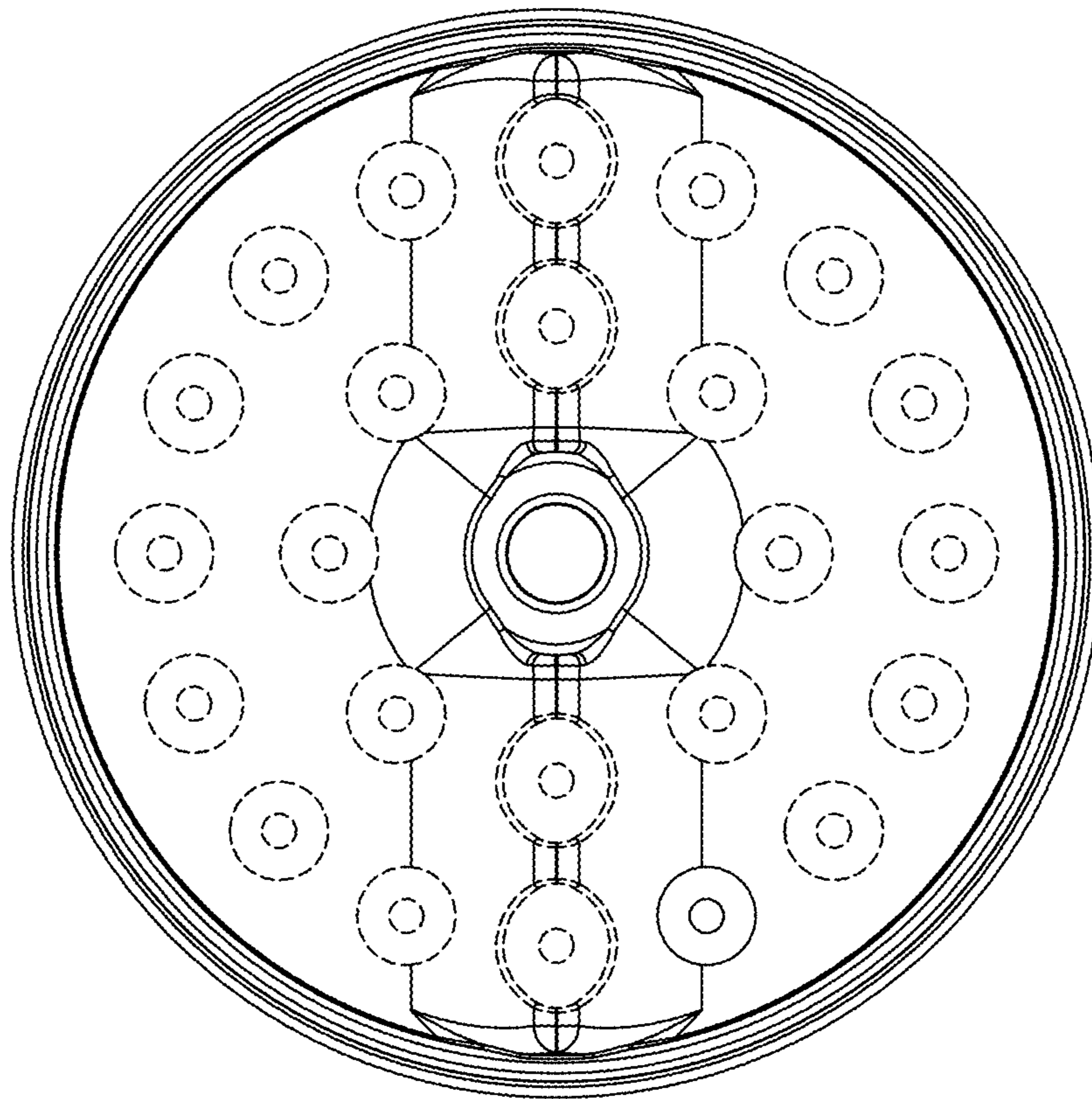


FIG. 14