



US00D921416S

(12) **United States Design Patent** (10) **Patent No.:** **US D921,416 S**
Chen (45) **Date of Patent:** **** Jun. 8, 2021**

(54) **BAKING MOLD**
(71) Applicant: **Yung-Wen Chen**, Xinbei (TW)
(72) Inventor: **Yung-Wen Chen**, Xinbei (TW)
(**) Term: **15 Years**

D713,196 S * 9/2014 Sarnoff D7/357
D758,131 S * 6/2016 Varney D7/409
D796,899 S * 9/2017 Chen D7/402
D813,028 S * 3/2018 Saito D9/415
D814,929 S * 4/2018 Bergeron D9/456
D866,241 S * 11/2019 Amirault D7/355
D871,234 S * 12/2019 Grove D9/761

(Continued)

(21) Appl. No.: **29/709,997**
(22) Filed: **Oct. 18, 2019**
(51) **LOC (13) Cl.** **07-02**
(52) **U.S. Cl.**
USPC **D7/357**
(58) **Field of Classification Search**
USPC D7/323, 331, 352, 354, 355, 356, 357,
D7/358, 359, 360, 361, 362, 363, 364,
D7/365, 366, 372, 373, 376, 377, 402,
D7/409, 410, 412, 414, 611, 678, 679,
D7/753; D3/304; D9/736, 749, 755,
D9/758, 760, 456; D1/105, 123, 124
CPC .. A21B 3/00; A21B 3/13; A21B 3/131; A21B
3/132; A21B 3/135; A21B 3/136; A21B
3/137; A21B 3/15; A21B 5/00; A21B
5/02; A21B 5/04; A47J 29/00; A47J
29/02; A47J 29/06; A47J 36/00; A47J
36/02; A47J 36/06; A47J 36/16; A47J
36/24; A47J 36/022; A47J 36/027; A47J
37/00; A47J 37/01; A47J 37/04; A47J
37/06; A47J 37/10; A47J 37/07; A47J
43/20; A47G 19/28; F25D 2331/807
See application file for complete search history.

FOREIGN PATENT DOCUMENTS

JP 2002065141 A * 3/2002

OTHER PUBLICATIONS

Non-Stick Mini Loaf Baking Pan, announced Mar. 26, 2015 [online],
retrieved Dec. 17, 2020, retrieved from internet, <https://www.walmart.com/ip/Non-Stick-Mini-Loaf-Baking-Pan-8-Well-Bakeware/37516074>.*

(Continued)

Primary Examiner — Dana K Weiland
Assistant Examiner — Messina L Smith
(74) *Attorney, Agent, or Firm* — Wang Law Firm, Inc.

(57) **CLAIM**

The ornamental design for a baking mold, as shown and described.

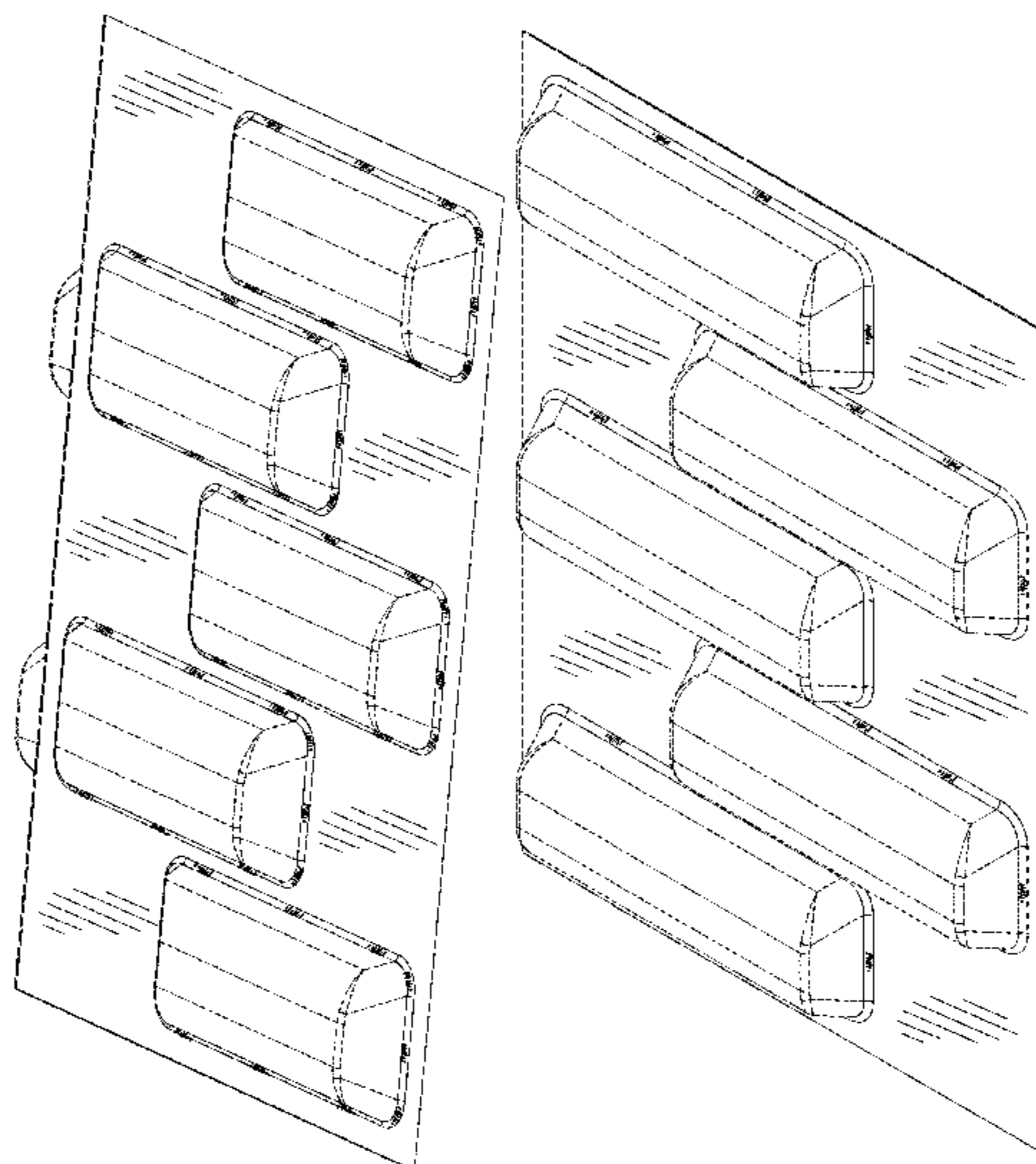
DESCRIPTION

FIG. 1 is a top perspective view of a baking mold showing my new design;
FIG. 2 is a bottom perspective view thereof;
FIG. 3 is a left side view thereof;
FIG. 4 is a top view thereof;
FIG. 5 is a front view thereof;
FIG. 6 is a rear view thereof;
FIG. 7 is a bottom view thereof; and,
FIG. 8 is a right side view thereof.
The broken lines shown in the drawings depict portions of the baking mold that form no part of the claimed design.

1 Claim, 4 Drawing Sheets

(56) **References Cited**
U.S. PATENT DOCUMENTS

3,040,735 A * 6/1962 Lyon, Jr. A21B 3/134
126/373.1
D361,514 S * 8/1995 Krupa D7/357
D574,182 S * 8/2008 Shannon D7/357
D636,219 S * 4/2011 Cornu D7/354
D701,418 S * 3/2014 Tingley D7/357
D707,077 S * 6/2014 Sarnoff D7/357



(56)

References Cited

U.S. PATENT DOCUMENTS

2007/0235627 A1* 10/2007 Leach A21B 3/132
249/121
2014/0361021 A1* 12/2014 Tingley A21B 3/132
220/573.2
2020/0253418 A1* 8/2020 Stayer A47J 36/02

OTHER PUBLICATIONS

Silicone Molds [Mini Loaf, 6 Cup] Cupcake Baking Pan, announced Jul. 11, 2010 [online], retrieved Dec. 17, 2020, retrieved from internet, <https://www.amazon.com/Freshware-CB-104RD-6-Cavity-Cornbread-Cheesecake/dp/B003VFUY0C>.*

Freshware 9-cavity Narrow Loaf Silicone Mold/ Baking Pans, announced Dec. 27, 2015 [online], retrieved Dec. 17, 2020, retrieved from internet, <https://www.overstock.com/Home-Garden/Freshware-9-cavity-Narrow-Loaf-Silicone-Mold-Baking-Pans-Pack-of-2/5992360/product.html?refccid=MKKUXMIM7UC3WICL4Q7AEACCCA&search>.*

Baker's Mark 5 Compartment Sub Sandwich Silicone Bread Mold, announced Mar. 4, 2017 [online], retrieved Dec. 17, 2020, retrieved from internet, <https://www.webstaurantstore.com/bakers-mark-5-compartment-sub-sandwich-silicone-bread-mold-12-x-2-15-16-cavities/407PRFSUB5.html>.*

* cited by examiner

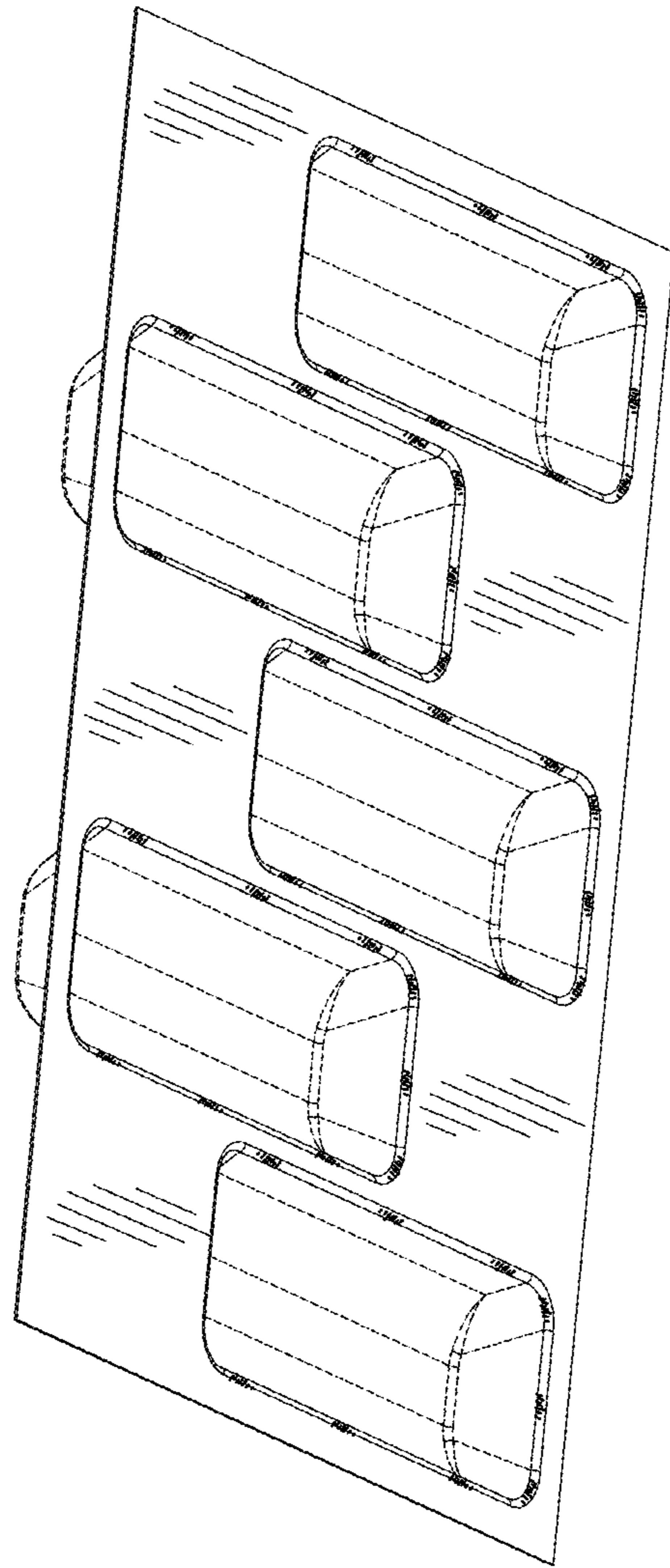


FIG.1

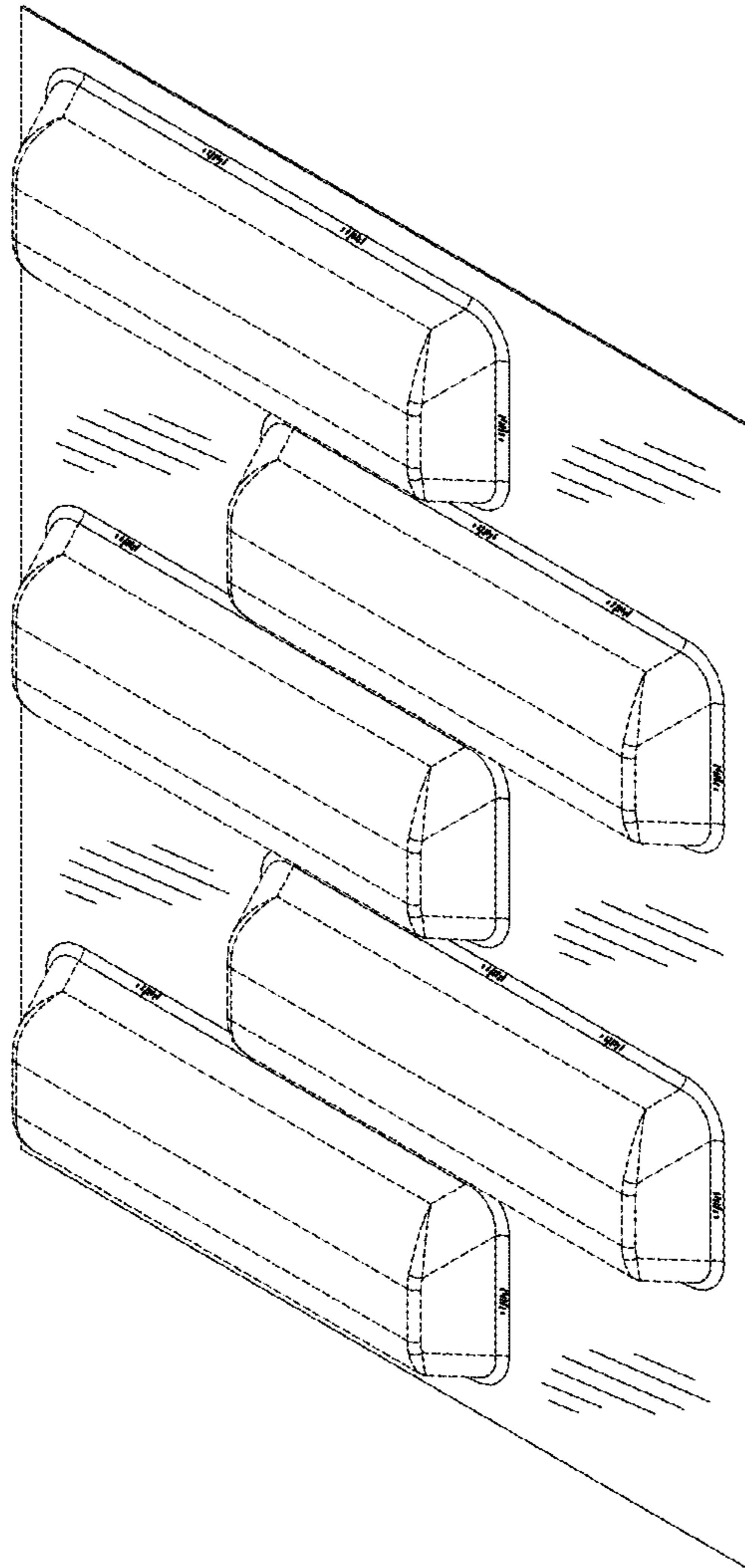


FIG.2

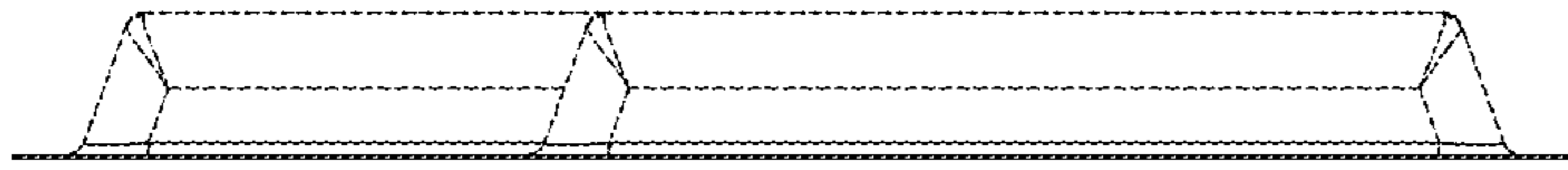


FIG. 3

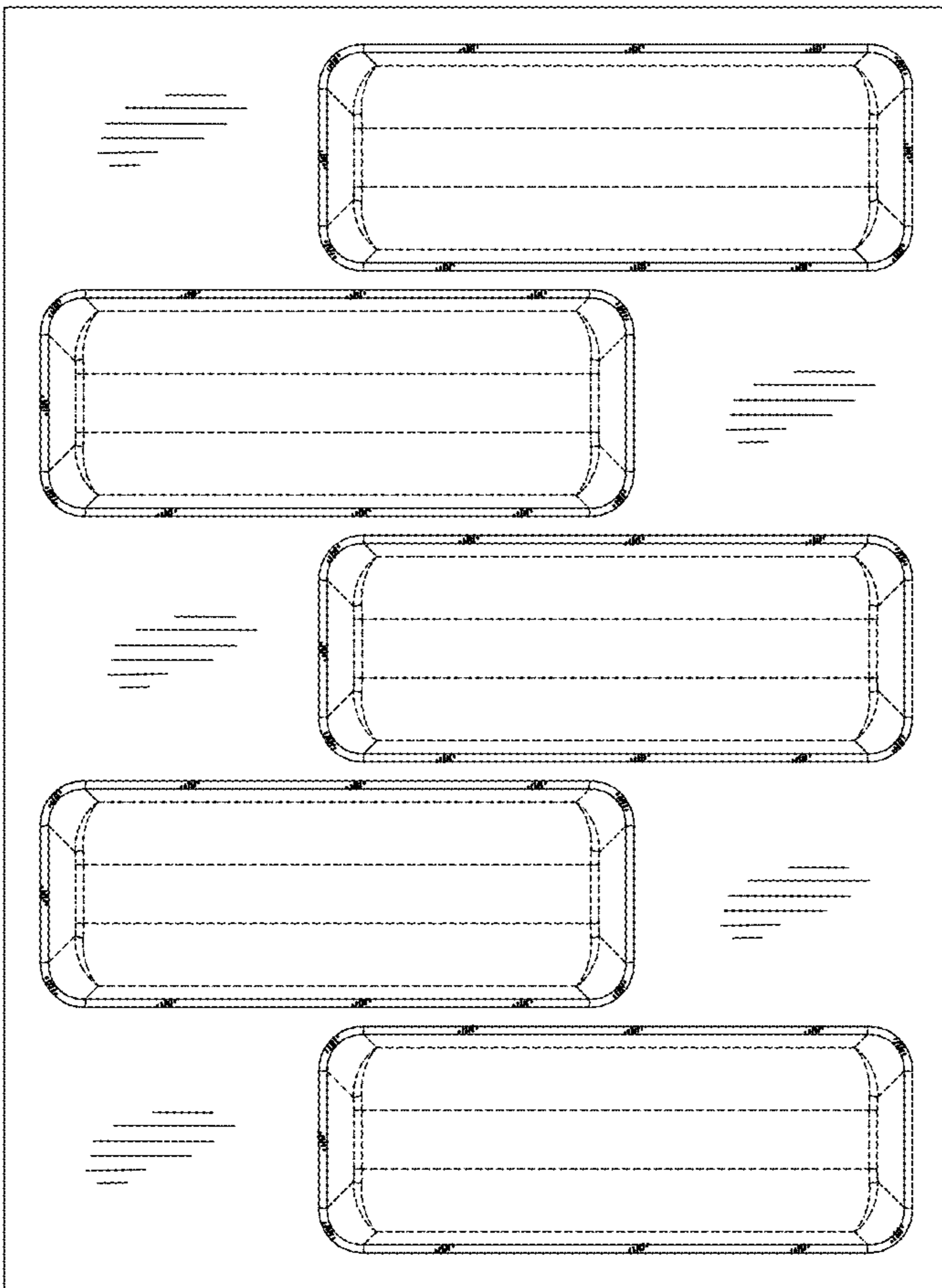


FIG. 4



FIG. 5

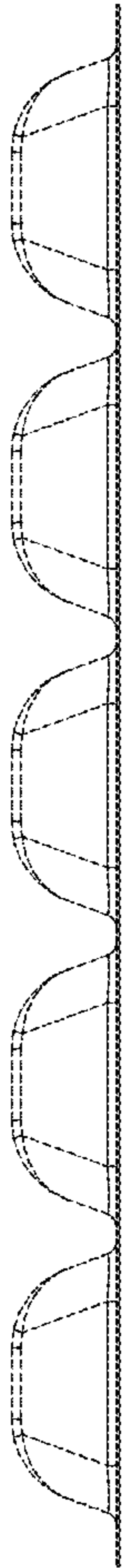


FIG. 6

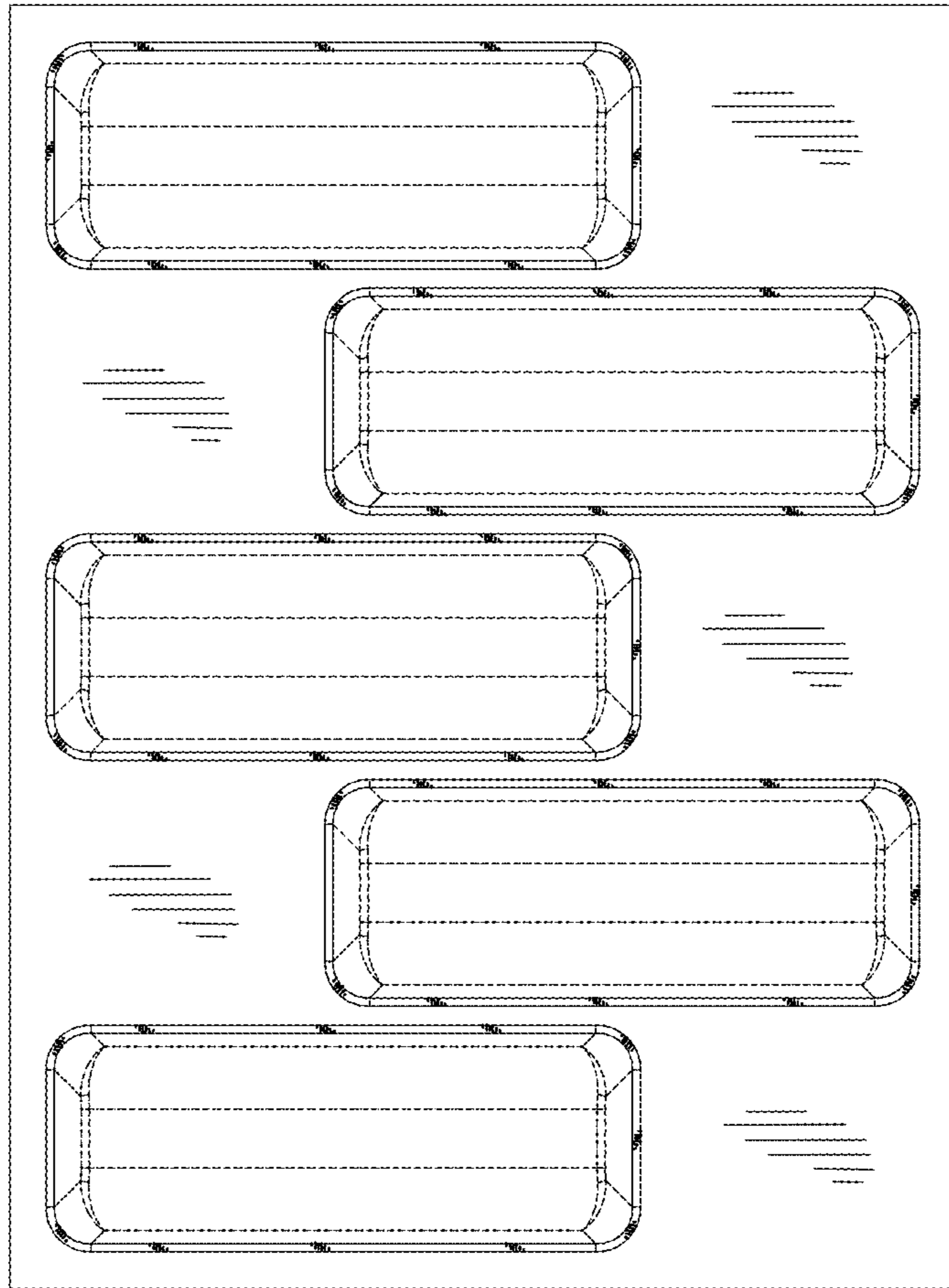


FIG. 7

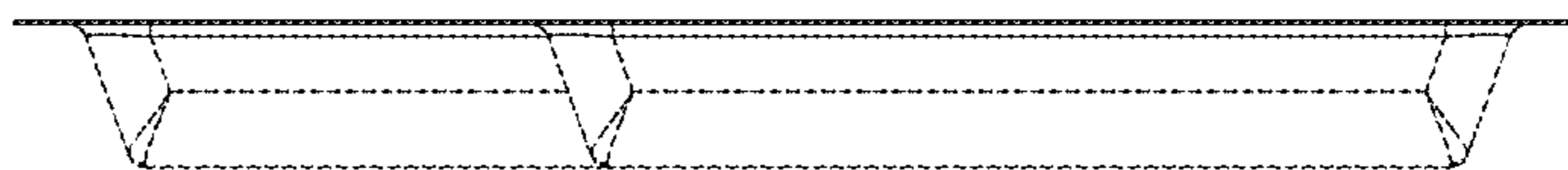


FIG. 8