



US00D921415S

(12) **United States Design Patent**
Mayer et al.

(10) **Patent No.:** **US D921,415 S**
(45) **Date of Patent:** **** Jun. 8, 2021**

- (54) **PAN**
- (71) Applicant: **The Vollrath Company, L.L.C.**,
Sheboygan, WI (US)
- (72) Inventors: **Theresa Mayer**, Sheboygan, WI (US);
Kristin Blada, Howards Grove, WI
(US); **Maximilian James Casler**,
Kaleva, MI (US)
- (73) Assignee: **The Vollrath Company, L.L.C.**,
Sheboygan, WI (US)
- (**) Term: **15 Years**
- (21) Appl. No.: **29/696,908**
- (22) Filed: **Jul. 2, 2019**
- (51) **LOC (13) Cl.** **07-02**
- (52) **U.S. Cl.**
USPC **D7/354**
- (58) **Field of Classification Search**
USPC D7/323, 331, 352, 354, 355, 356, 357,
D7/358, 359, 360, 361, 362, 363, 364,
D7/365, 366, 372, 373, 376, 377, 402,
D7/409, 410, 412, 414, 611, 678, 679,
D7/753; D3/304; D9/736, 749, 755,
D9/758, 760, 456; D1/105, 123, 124
CPC .. A21B 3/00; A21B 3/13; A21B 3/131; A21B
3/132; A21B 3/135; A21B 3/136; A21B
3/137; A21B 3/15; A21B 5/00; A21B
5/02; A21B 5/04; A47J 29/00; A47J
29/02; A47J 29/06; A47J 36/00; A47J
36/02; A47J 36/06; A47J 36/16; A47J
36/24; A47J 36/022; A47J 36/027; A47J
37/00; A47J 37/01; A47J 37/04; A47J
37/06; A47J 37/10; A47J 37/07; A47J
43/20; A47G 19/28; F25D 2331/807
See application file for complete search history.

- (56) **References Cited**
U.S. PATENT DOCUMENTS
3,233,812 A 2/1966 Kennedy
4,967,908 A 11/1990 Kessler
(Continued)

FOREIGN PATENT DOCUMENTS

EP 1625816 A1 * 2/2006 A47J 37/01

OTHER PUBLICATIONS

Plastic Nesting Tub, announced 2016 [online], retrieved Jan. 14,
2021, retrieved from internet, http://www.rpconline.com/Plastic-Nesting-Tub_p_11353.html.*

(Continued)

Primary Examiner — Dana K Weiland
Assistant Examiner — Messina L Smith

(74) *Attorney, Agent, or Firm* — Foley & Lardner LLP

(57) **CLAIM**

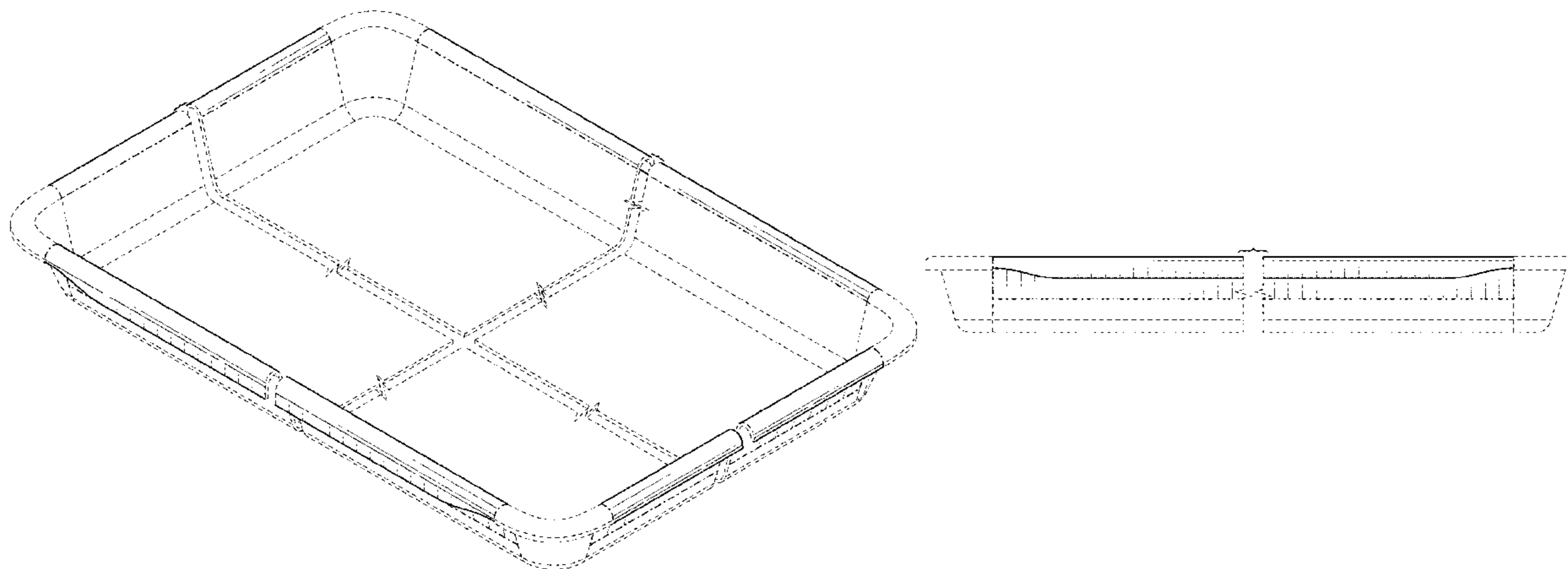
We claim the ornamental design for a pan, as shown and described.

DESCRIPTION

FIG. 1 is a perspective view of a pan, showing our new design;
 FIG. 2 is a front view thereof;
 FIG. 3 is a rear view thereof;
 FIG. 4 is a right side view thereof;
 FIG. 5 is a left side view thereof;
 FIG. 6 is a top view of thereof; and,
 FIG. 7 is a bottom view thereof.

The ornamental design that is claimed is shown in solid lines in the figures. The dot-dash broken lines shown in the figures depict the boundaries of the claim and form no part of the claimed design. All other broken lines depict portions of the pan that form no part of the claimed design. The pan is shown with symbolic breaks in its length. The appearance of any portion of the pan between the break lines forms no part of the claimed design.

1 Claim, 3 Drawing Sheets



(56)

References Cited

U.S. PATENT DOCUMENTS

5,004,121 A * 4/1991 Howe A47J 36/04
219/725
5,094,706 A * 3/1992 Howe A47J 36/04
156/214
5,203,254 A * 4/1993 Fletcher A47J 37/0694
211/181.1
D418,017 S * 12/1999 Henry D7/545
D431,958 S * 10/2000 Harris D7/354
D553,905 S * 10/2007 Orr, Jr. D7/390
D581,203 S * 11/2008 Simon D7/354
D588,396 S * 3/2009 Millsap D7/354
D653,496 S * 2/2012 Henry D7/354
D655,130 S * 3/2012 Sarnoff D7/354
D663,570 S * 7/2012 Sarnoff D7/354
D677,514 S * 3/2013 Sarnoff D7/360
D690,552 S * 10/2013 Hundley D7/354
D757,484 S * 5/2016 Brown D7/354
9,510,699 B1 * 12/2016 Miller A47G 23/04
D800,492 S * 10/2017 Sarnoff D7/359
D809,848 S * 2/2018 Mirchandani D7/354
D825,254 S * 8/2018 Khubani D7/357
D829,036 S * 9/2018 Garcia Luna D7/360
D835,934 S * 12/2018 Demers D7/354
D839,657 S * 2/2019 Patel D7/359
D842,641 S * 3/2019 Demers D7/354
D867,802 S * 11/2019 Demers D7/354
D896,564 S * 9/2020 Kerr D7/354
D901,827 S * 11/2020 Julian D1/123
D904,184 S * 12/2020 Bontrager D9/425
2006/0049189 A1 * 3/2006 Golden A47J 36/027
219/725
2007/0151976 A1 * 7/2007 Millsap A47J 37/01
220/573.1

2013/0037430 A1 * 2/2013 Sarnoff A47J 36/022
206/232
2015/0096668 A1 * 4/2015 Anders A47J 37/01
156/212
2015/0208860 A1 * 7/2015 Parr B65D 25/205
220/573.1
2018/0146684 A1 * 5/2018 Morgan F24C 15/16
2019/0159629 A1 * 5/2019 Chen A21B 3/13
2020/0237141 A1 * 7/2020 Lewis A47J 36/025
2021/0002027 A1 * 1/2021 Mayer

OTHER PUBLICATIONS

Sensory Tubs, announced Mar. 15, 2019 [online], retrieved Jan. 14, 2021, retrieved from internet, <https://www.lakeshorelearning.com/products/accessories/sensory-tubs-setof3/p/PP273/>.
Nordicware 8x8 baking pan, announced Aug. 22, 2019[online], retrieved Jan. 14, 2021, retrieved from internet, <https://www.walmart.com/ip/Nordicware-8x8-baking-pan/192545786>.
Mrs. Anderson's Baking Big Sheet Pan, announced Sep. 21, 2016 [online], retrieved Jan. 14, 2021, retrieved from internet, <https://www.amazon.com/Mrs-Andersons-Baking-Heavyweight-Commercial/dp/B01LYKQ7DP>.
Vollrath 61270 Roasting Pan, announced Aug. 2, 2007 [online], retrieved Jan. 14, 2021, retrieved from internet, https://www.amazon.com/Baking-Roasting-Pan-6-5-Qt/dp/B000UOJIC2/ref=sr_1_91?crd=2MO2VEJ0HHAAE&dchild=1&keywords=vollrath+cookware&qid=1610645520&s=home-garden&sprefix=vollrath%2Cgarden%2C166&sr=1-91.
New 2019 Smallwares Countertop Equipment Catalogue, Sheet Pans & Accessories, pp. 133-137, https://vollrath.com/Vollrath-Files/Price-Lists/New_2019_Smallwares_Countertop_Equipment_Catalog_Web.pdf, accessed Jun. 12, 2019.

* cited by examiner

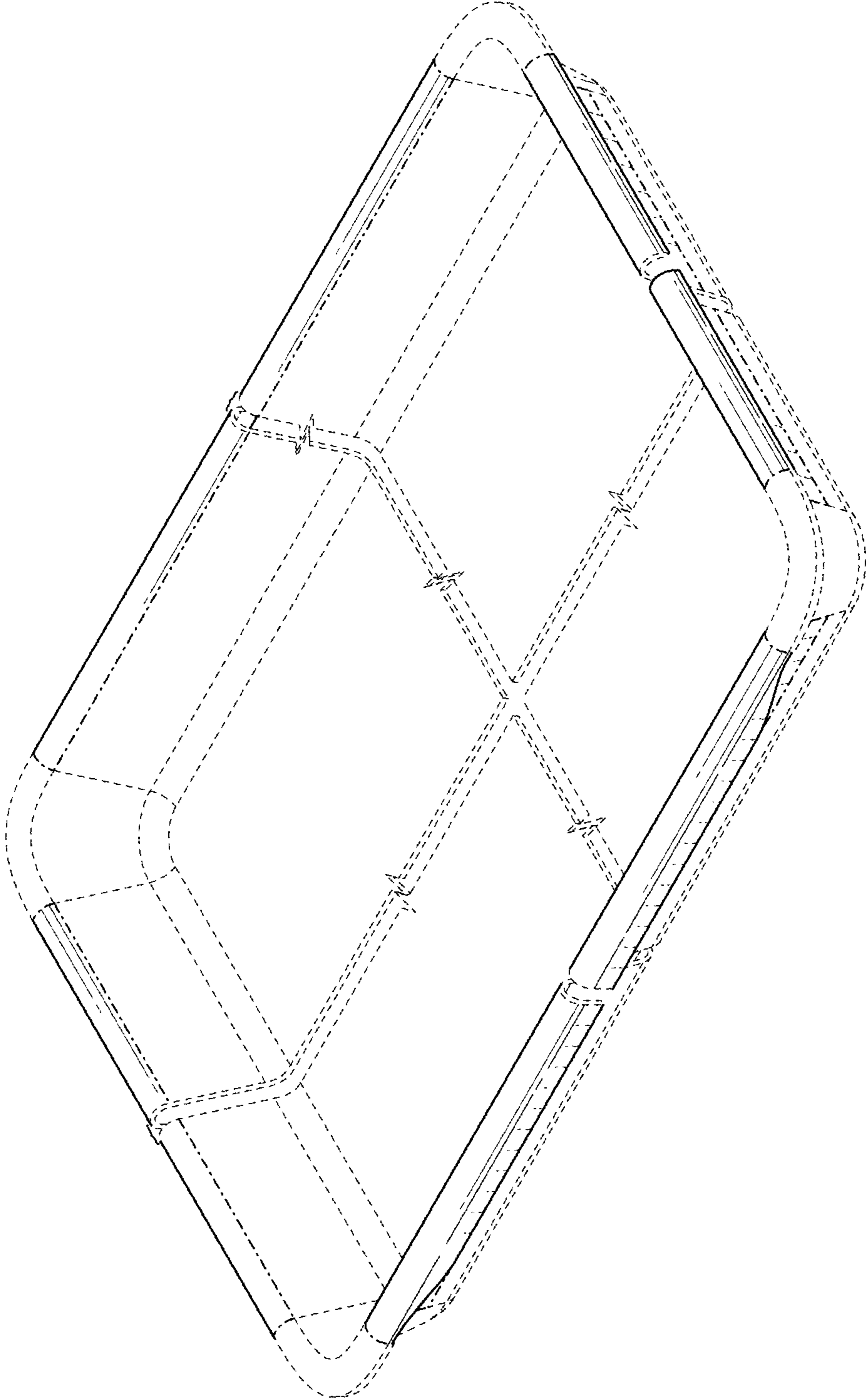


FIG. 1

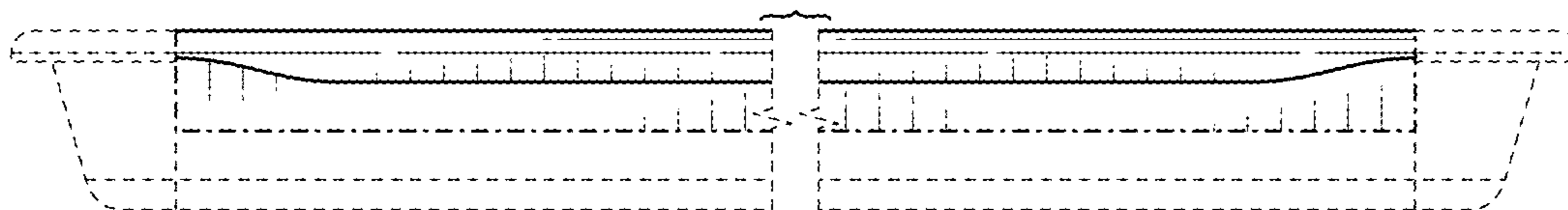


FIG. 2

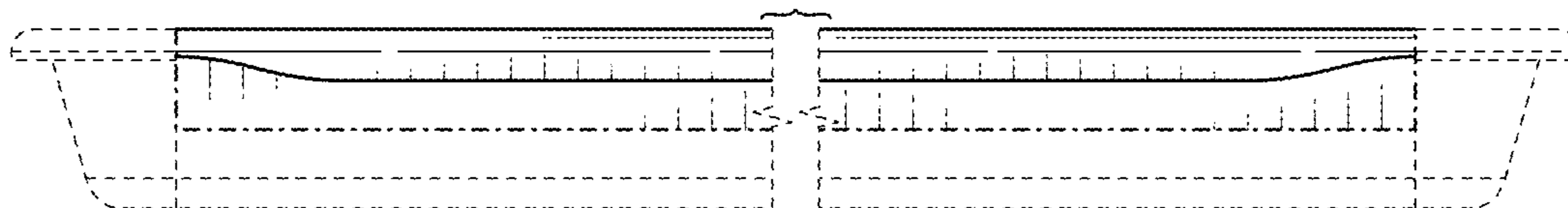


FIG. 3

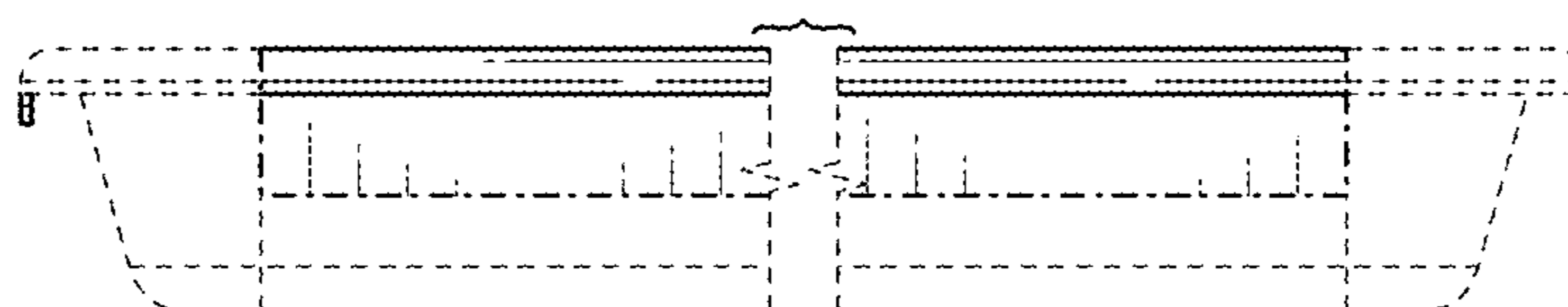


FIG. 4

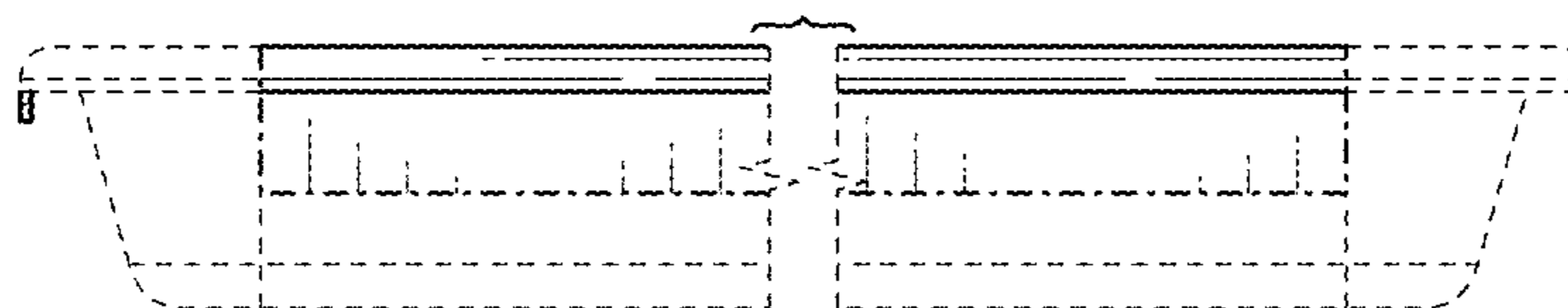


FIG. 5

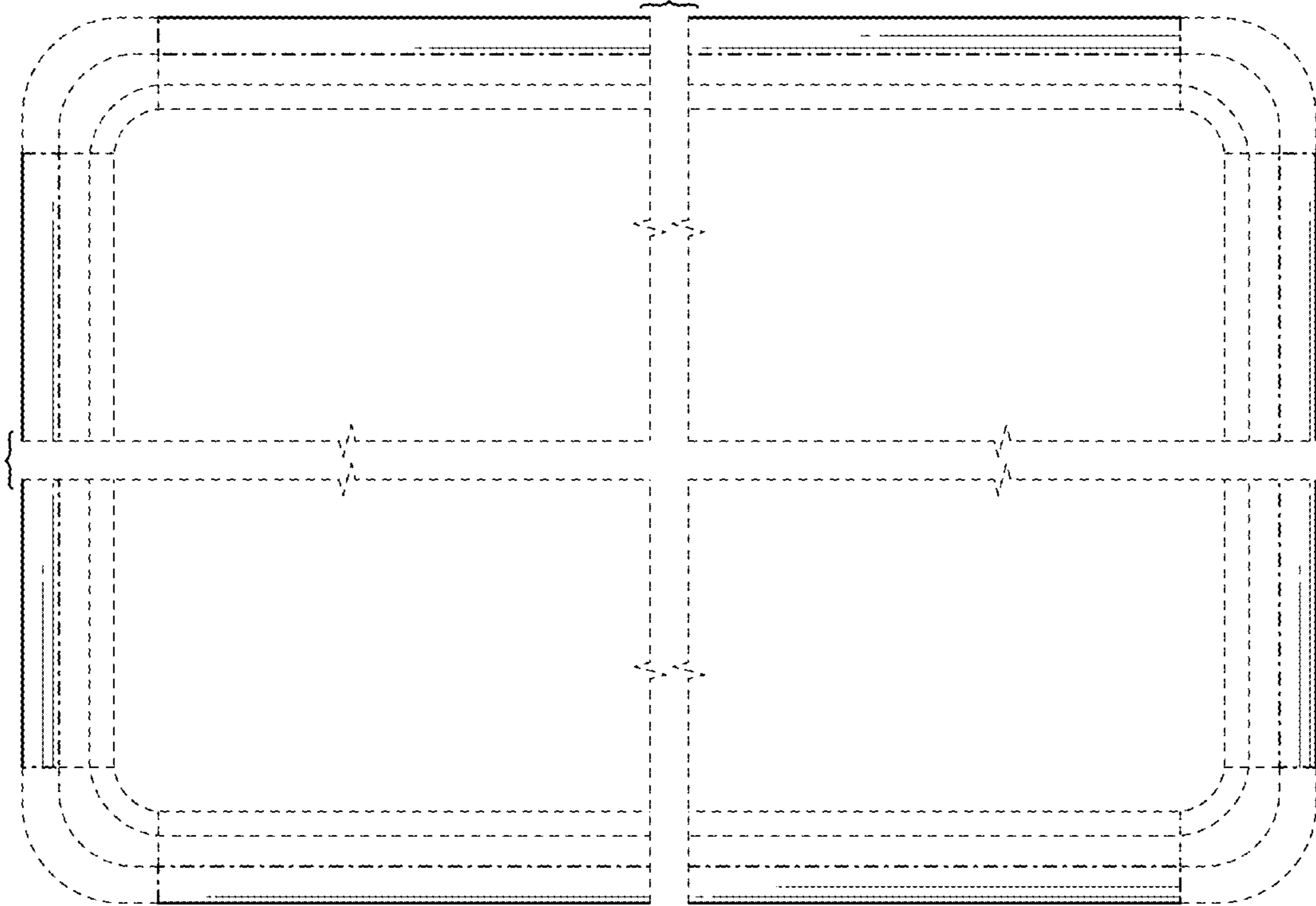


FIG. 6

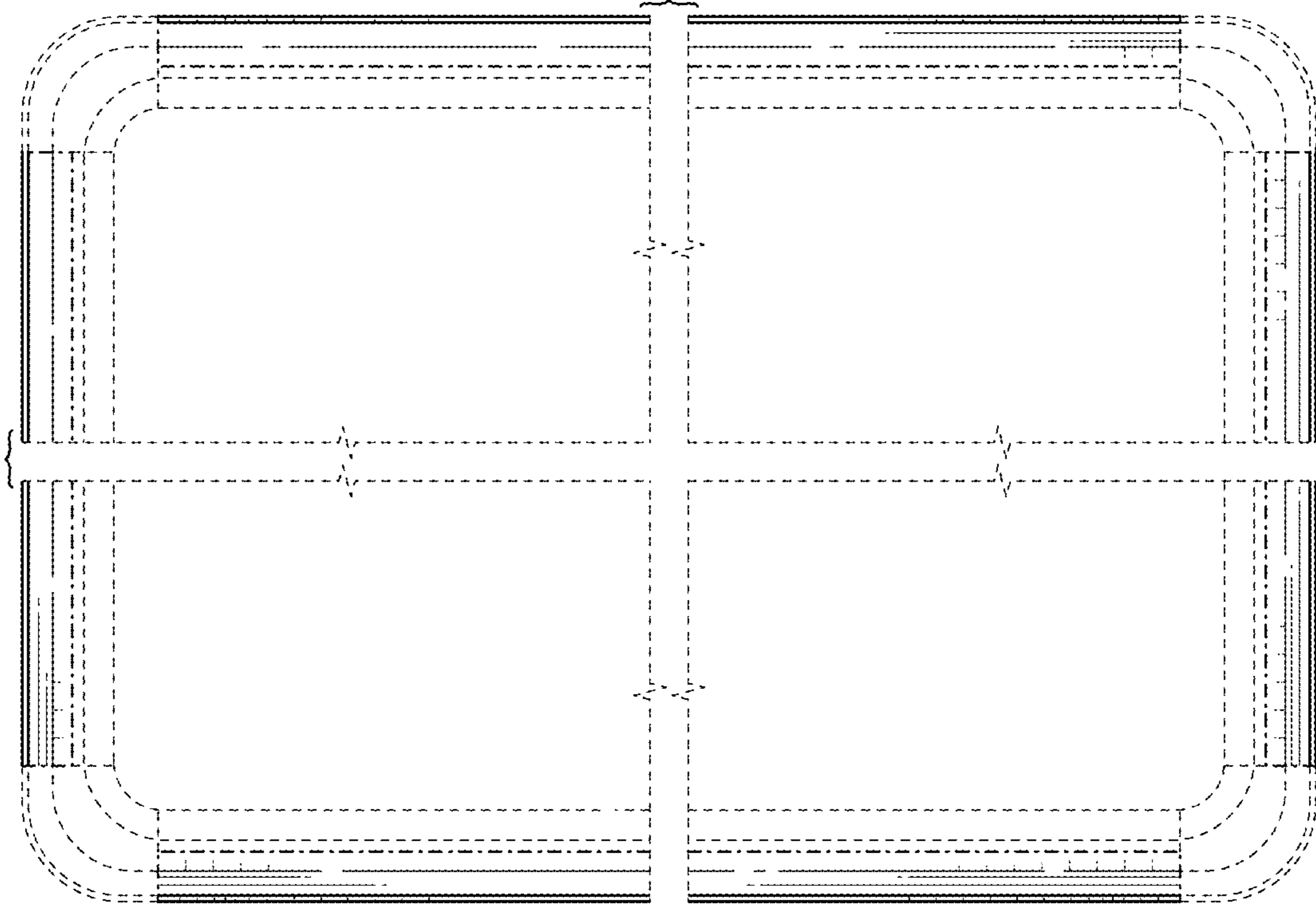


FIG. 7