



US00D921413S

(12) **United States Design Patent**
Fitzpatrick

(10) **Patent No.:** **US D921,413 S**

(45) **Date of Patent:** **** Jun. 8, 2021**

(54) **PELLET GRILL**

(71) Applicant: **Scott J. Fitzpatrick**, Nashville, IN
(US)

(72) Inventor: **Scott J. Fitzpatrick**, Nashville, IN
(US)

(**) Term: **15 Years**

(21) Appl. No.: **29/701,791**

(22) Filed: **Aug. 14, 2019**

(51) **LOC (13) Cl.** **07-02**

(52) **U.S. Cl.**
USPC **D7/334**

(58) **Field of Classification Search**

USPC D7/323, 327, 332, 334, 335, 339, 347,
D7/348, 350.2, 350.3, 350.4, 354, 402
CPC .. A47J 33/00; A47J 36/38; A47J 37/00; A47J
37/04; A47J 37/06; A47J 37/0623; A47J
37/0629; A47J 37/0635; A47J 37/0647;
A47J 37/0652; A47J 37/0658; A47J
37/07; A47J 37/0704; A47J 37/0709;
A47J 37/0713; A47J 37/0718; A47J
37/0722; A47J 37/0727; A47J 37/075;
A47J 37/0754; A47J 37/0763; A47J
37/0786; A47J 2037/0777; F24C 1/16;
F24C 5/20

See application file for complete search history.

(56) **References Cited**

U.S. PATENT DOCUMENTS

9,186,020 B1 * 11/2015 Phillips A47J 37/0709
D790,901 S * 7/2017 Zhou A47J 37/0704
D7/334

D820,628 S * 6/2018 Zhou D7/334
D889,201 S * 7/2020 Measom D7/402
2017/0196400 A1 * 7/2017 Colston A47J 37/0704
2018/0098661 A1 * 4/2018 Dodds A23B 4/0523
2018/0368618 A1 * 12/2018 Measom A47J 37/0713

OTHER PUBLICATIONS

Z Grills ZPG-7002E 2020 Upgrade Wood Pellet Grill & Smoker, Amazon, [online], [site visited Feb. 18, 2021], Available from internet URL: <https://www.amazon.com/GRILLS-ZPG-7002E-2019-New-Model/dp/B07GC2F1YW> (Year: 2021).
YS640S Pellet Grill, Yoder Smokers, [online], [site visited Feb. 18, 2021], Available from internet URL: <https://www.yodersmokers.com/pellet/the-ys640s-pellet-grill/> (Year: 2021).*

* cited by examiner

Primary Examiner — Mary Ann Calabrese
Assistant Examiner — Natalya M Rapundalo
(74) *Attorney, Agent, or Firm* — Buss & Benefield, PLLC; Michael A. Benefield

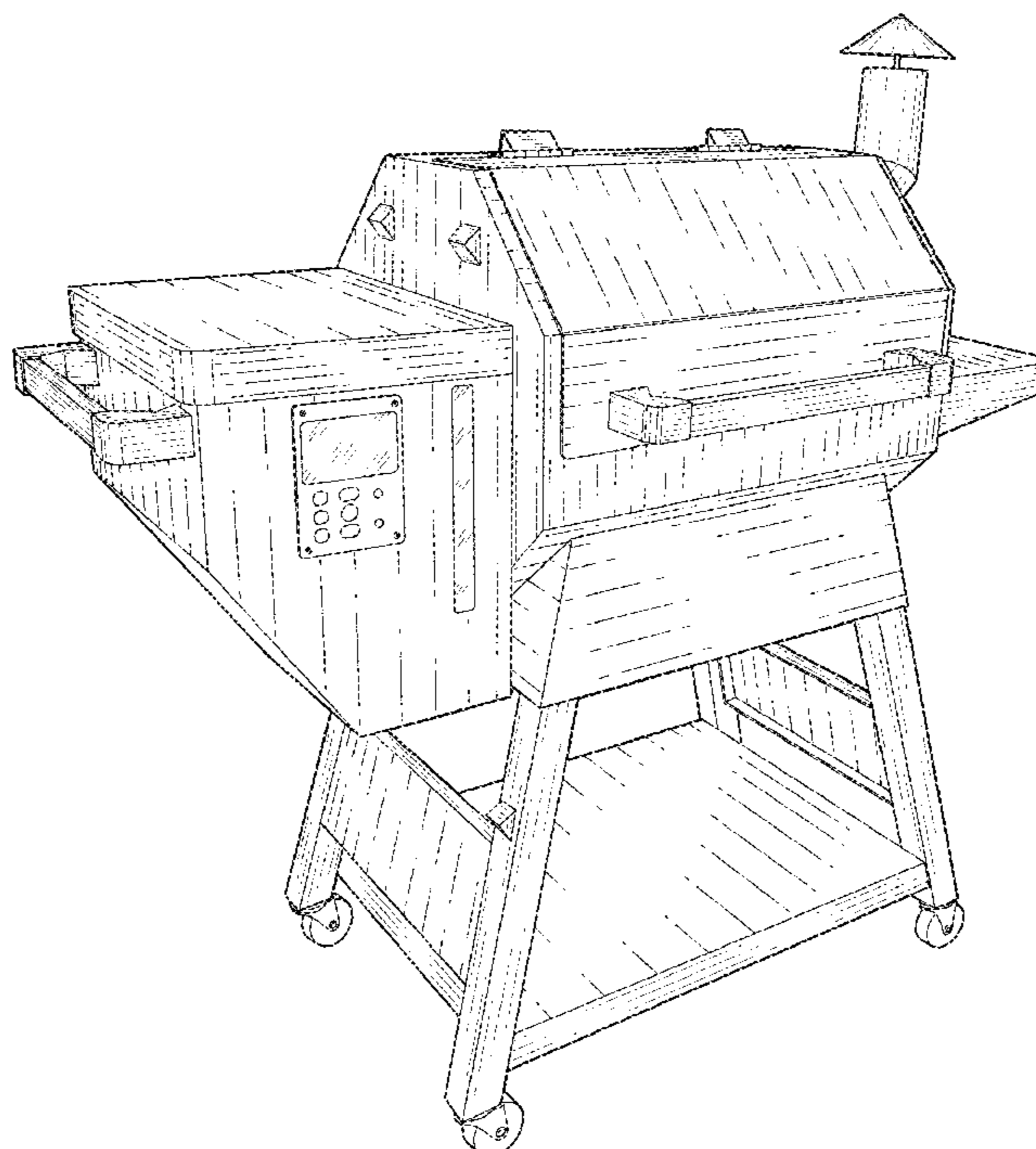
(57) **CLAIM**

The ornamental design for a pellet grill, as shown and described.

DESCRIPTION

FIG. 1 is an upper-left-front perspective view of my new pellet grill design;
FIG. 2 is a front elevational view thereof;
FIG. 3 is a top plan view thereof;
FIG. 4 is a right side elevational view thereof;
FIG. 5 is a left side elevational view thereof; and,
FIG. 6 is a back elevational view thereof.

1 Claim, 4 Drawing Sheets



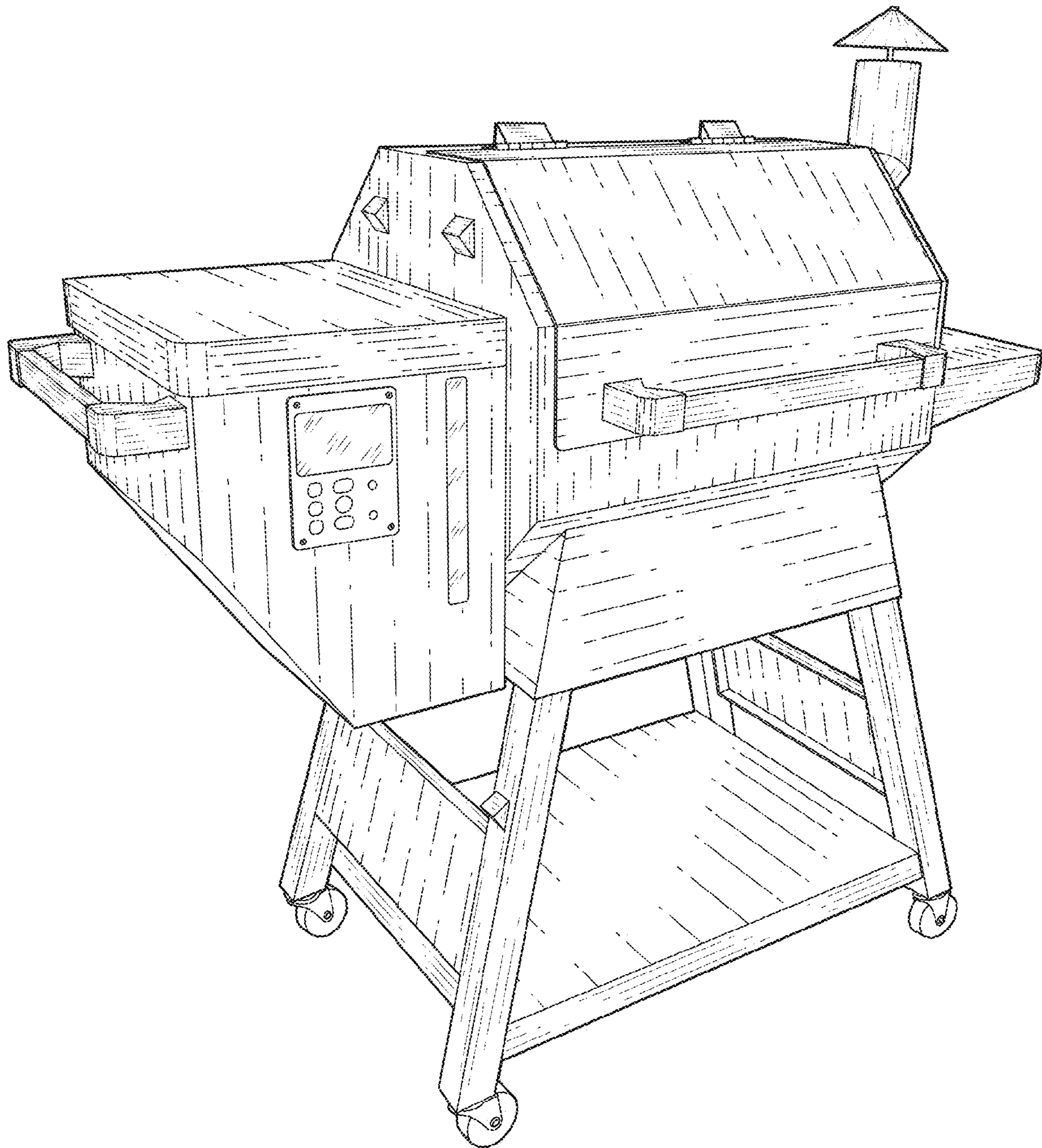


Fig. 1

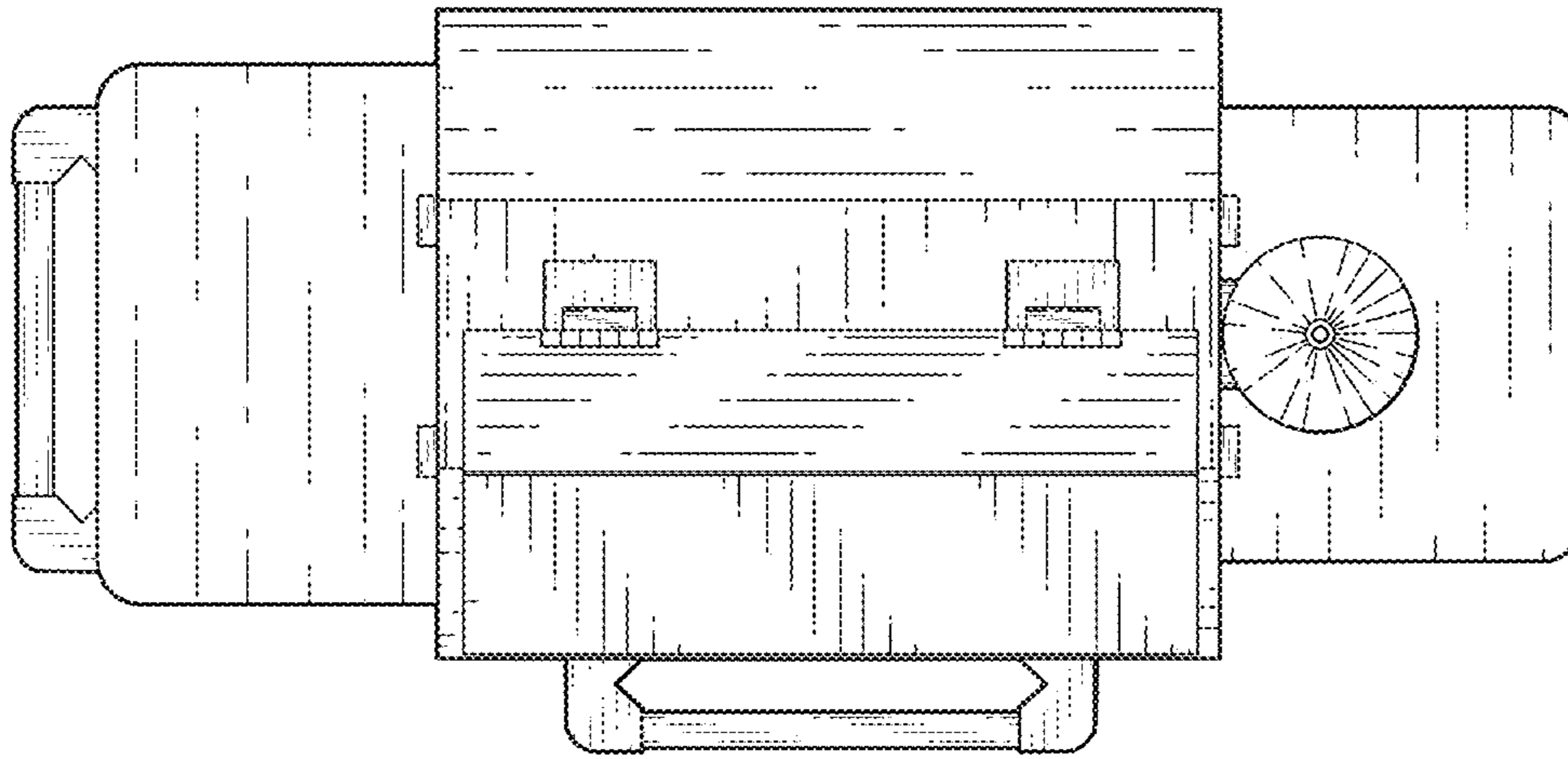


Fig. 3

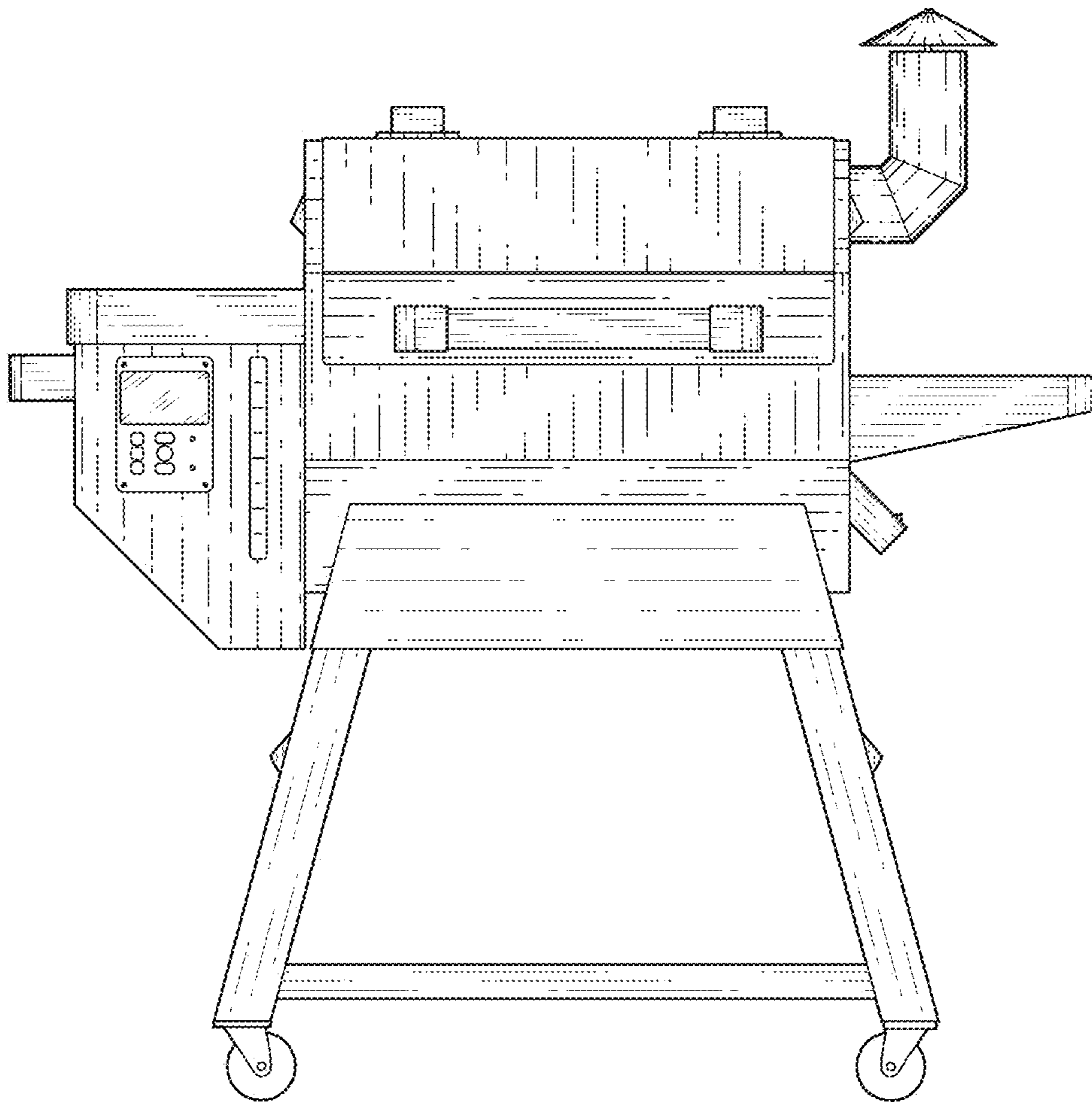


Fig. 2

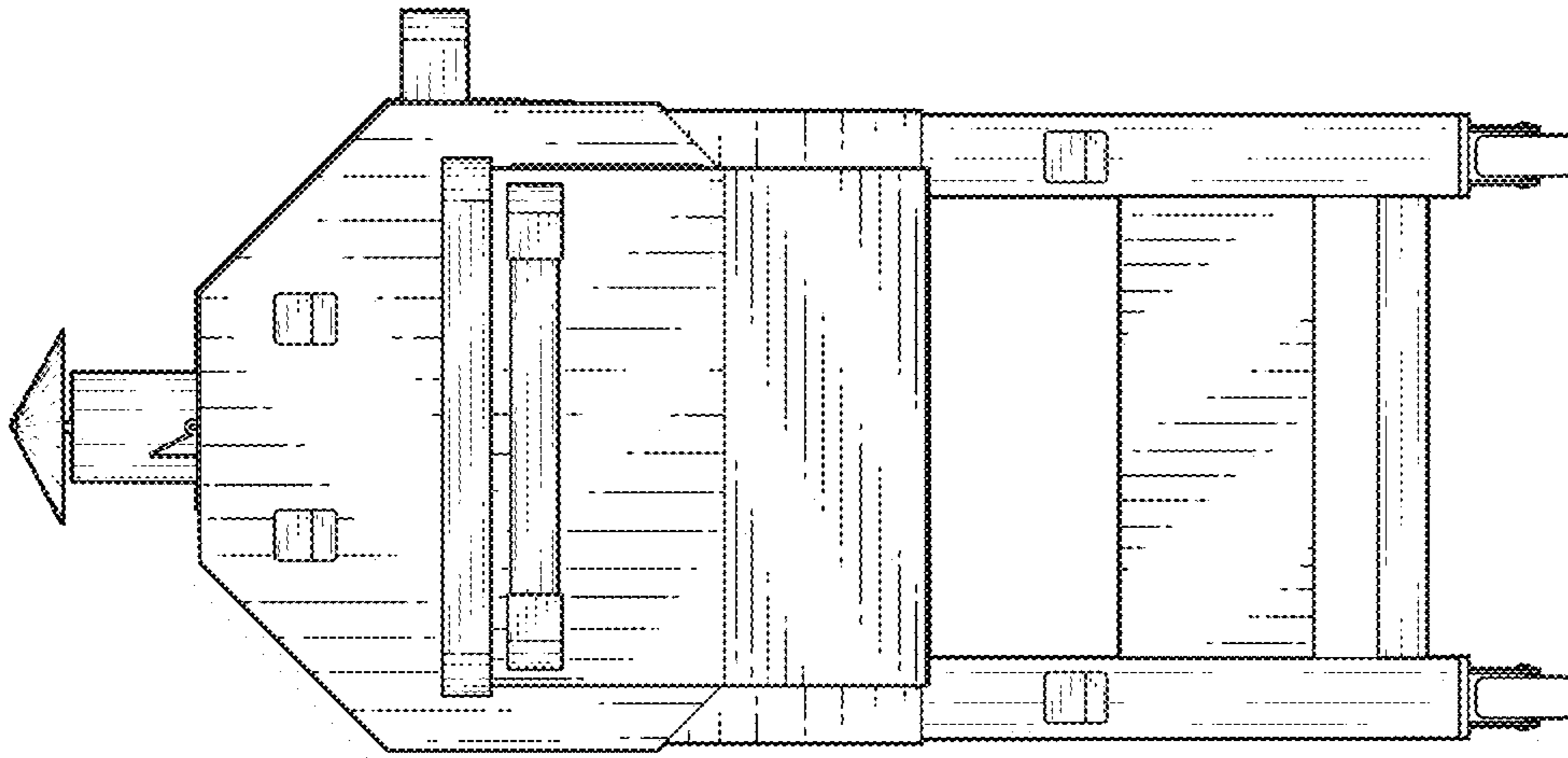


Fig. 5

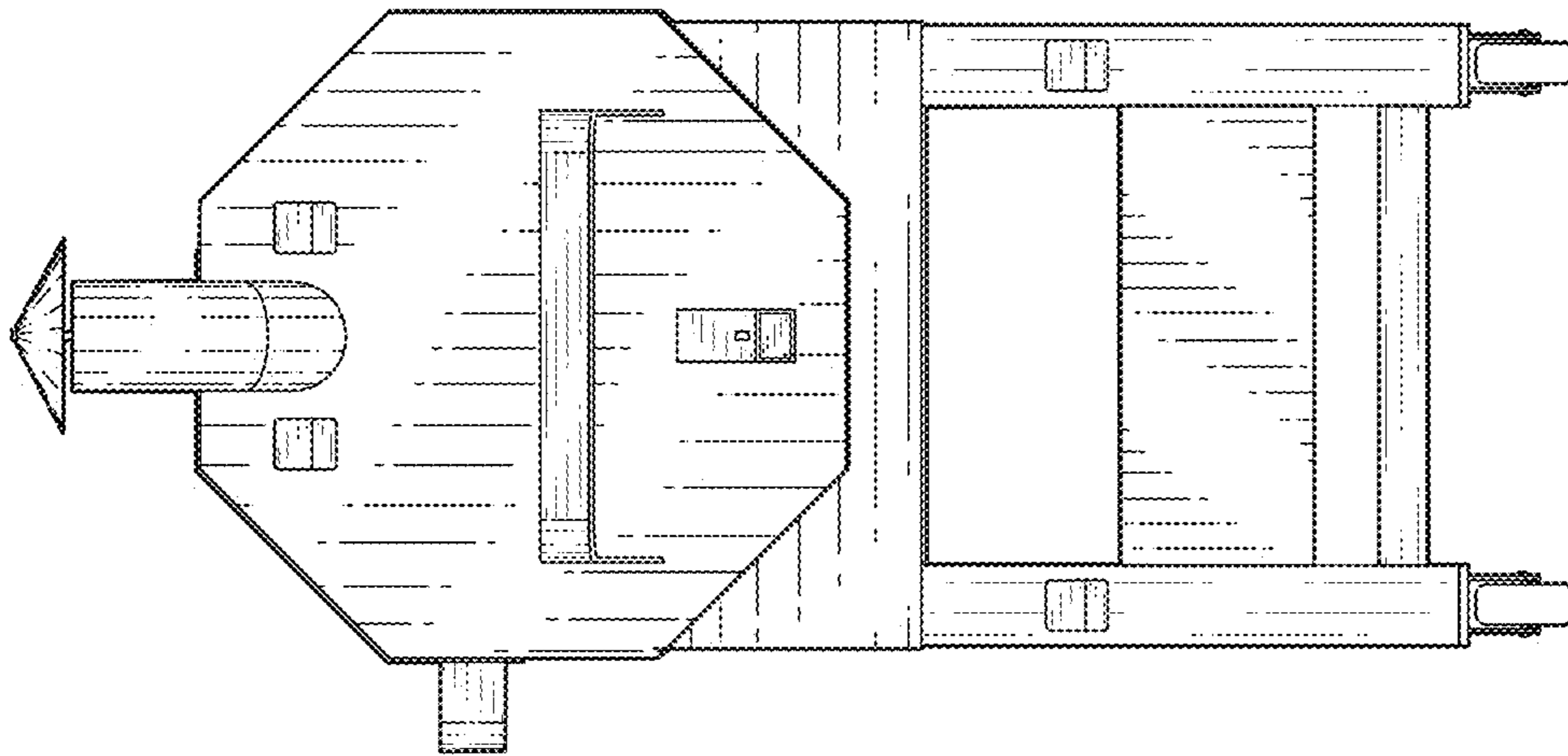


Fig. 4

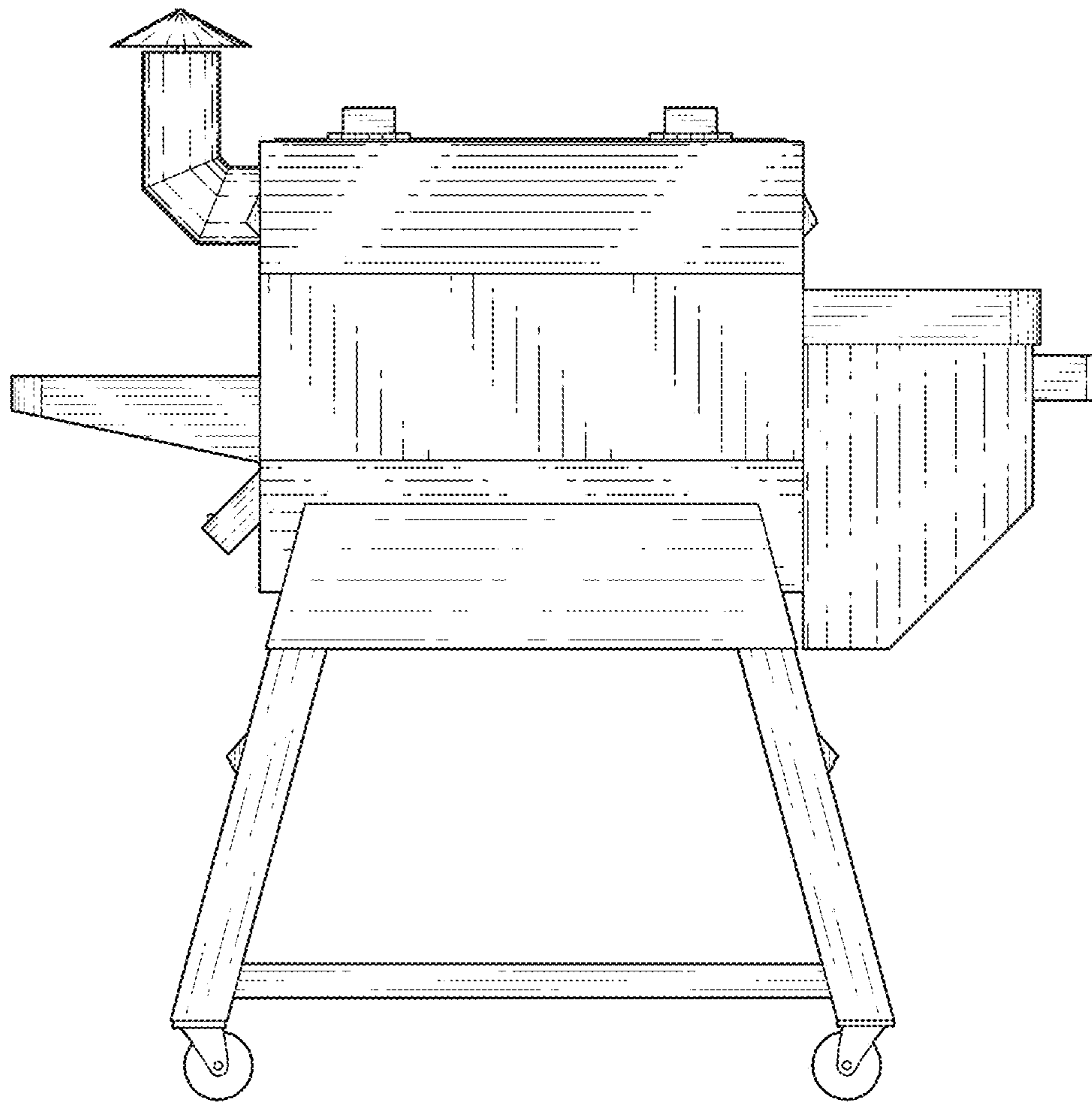


Fig. 6