



US00D921412S

(12) **United States Design Patent**
Steiner

(10) **Patent No.:** **US D921,412 S**
(45) **Date of Patent:** **** Jun. 8, 2021**

(54) **TOASTER**

(71) Applicant: **Hamilton Beach Brands, Inc.**, Glen Allen, VA (US)
(72) Inventor: **Mark C Steiner**, Midlothian, VA (US)
(73) Assignee: **Hamilton Beach Brands, Inc.**, Glen Allen, VA (US)

(**) Term: **15 Years**

(21) Appl. No.: **29/721,159**

(22) Filed: **Jan. 17, 2020**

(51) **LOC (13) Cl.** **07-02**

(52) **U.S. Cl.**
USPC **D7/330**

(58) **Field of Classification Search**
USPC D7/328, 329, 330, 331, 339, 340, 341, D7/342, 343, 344, 345, 346, 347, 348, D7/349, 351, 352, 390, 402, 405, 406; D21/523, 524
CPC A47J 37/08; A47J 37/0807; A47J 37/0814; A47J 37/0821; A47J 37/0828; A47J 37/0835; A47J 37/0842; A47J 37/085; A47J 37/0857; A47J 37/0864; A47J 37/0871; A47J 37/0878; A47J 37/0885; A47J 37/0892; A47J 37/0611; A47J 37/0623; A47J 37/0629; A47J 37/00; A47J 37/04; A47J 37/06; A21B 1/50; A21B 1/52; A21B 5/00; F24C 15/02; F24C 15/04; F24C 15/10
See application file for complete search history.

(56) **References Cited**

U.S. PATENT DOCUMENTS

D345,074 S * 3/1994 Myers D7/328
D388,276 S * 12/1997 Cruz D7/330
D394,983 S * 6/1998 Garrett D7/330
D413,224 S * 8/1999 Cruz D7/330
D422,832 S * 4/2000 Gaynor D7/330
D445,629 S * 7/2001 Davis D7/330

D475,884 S * 6/2003 Holderfield D7/330
D488,341 S * 4/2004 Enriquez D7/330
D503,581 S * 4/2005 Wong D7/330
D510,676 S * 10/2005 Picozza D7/330
D524,591 S * 7/2006 Averty D7/330
D554,931 S * 11/2007 Genslak D7/330
D582,196 S * 12/2008 Jerstroem D7/330
D598,697 S * 8/2009 De Pra' D7/330
D640,894 S * 7/2011 Duncan D7/330

(Continued)

OTHER PUBLICATIONS

Hamilton Beach 24850 Proctor-Silex PopUp Toaster, announced © 2020 [online], retrieved Nov. 3, 2020, retrieved from internet, https://www.culinarydepotinc.com/hamilton-beach-24850-proctor-silex-pop-up-toaster?utm_source=google&utm_medium=ppc&utm_campaign={SmartBelow200Shop}&gclid=CjwKCAiAnlT9BRAMeiwANaoE1bjl3dO.*

(Continued)

Primary Examiner — Dana K Weiland
Assistant Examiner — Messina L Smith
(74) *Attorney, Agent, or Firm* — Alexander D Raring

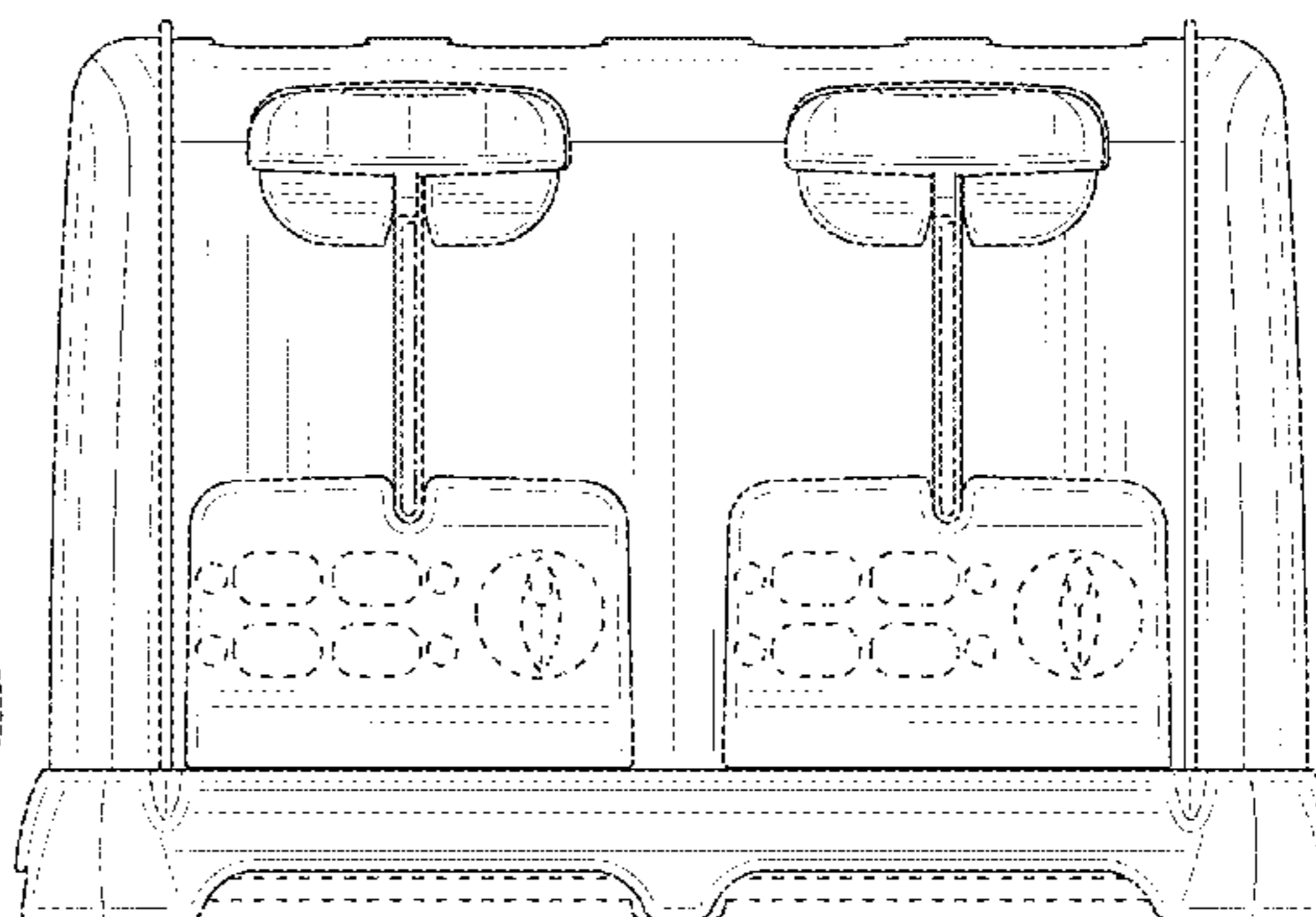
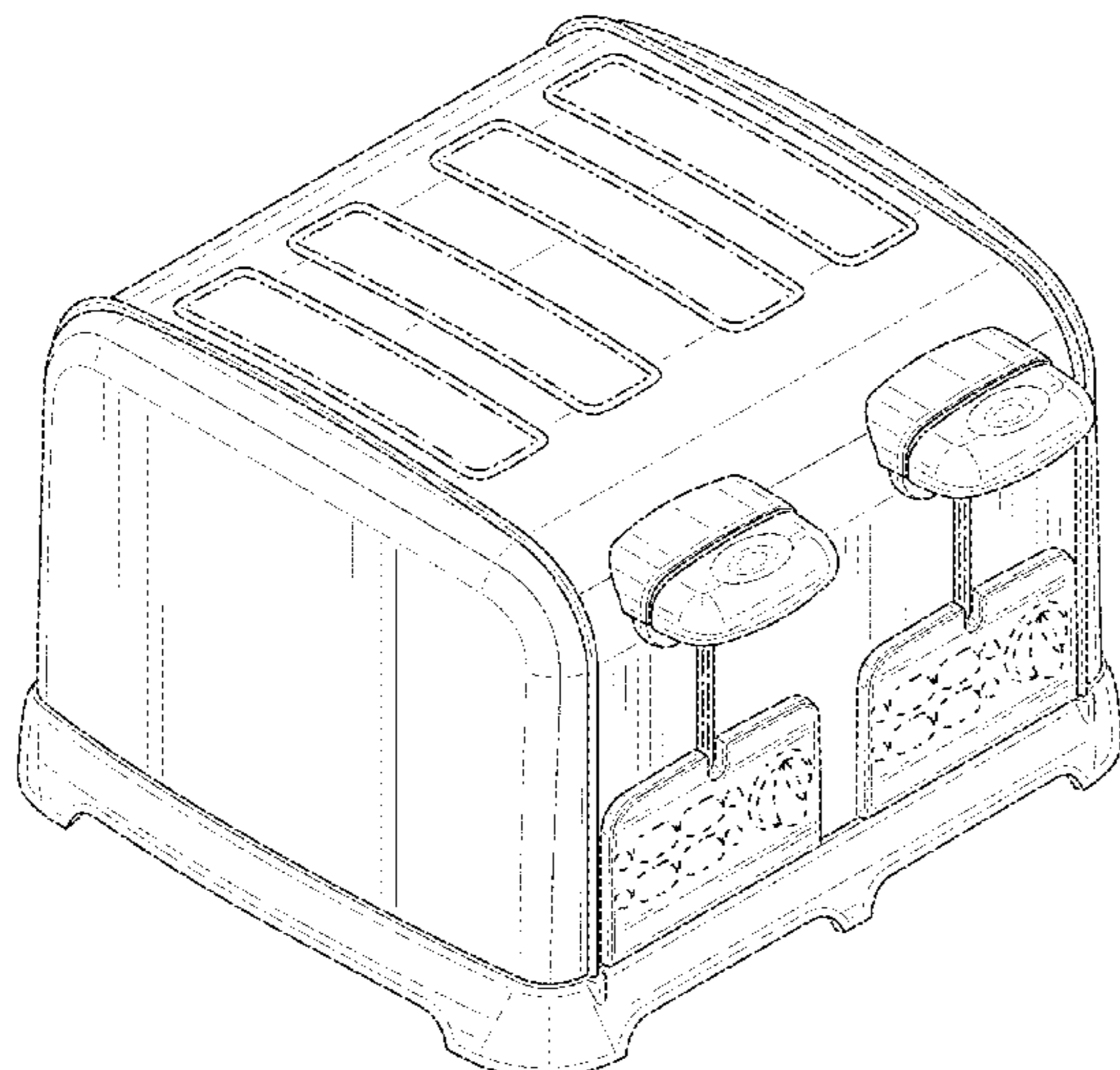
(57) **CLAIM**

The ornamental design for a toaster, as shown and described.

DESCRIPTION

FIG. 1 is a perspective view as seen from the top, left and front sides of a toaster showing the new design; FIG. 2 is a front side view thereof; FIG. 3 is a rear view thereof; FIG. 4 is a left side view thereof; FIG. 5 is a right side view thereof; FIG. 6 is a top view thereof; and, FIG. 7 is a bottom view thereof. The dashed broken lines in the drawings depict portions of the toaster that form no part of the claimed design. The dot-dashed broken lines define the bounds of the claimed design and form no part thereof.

1 Claim, 7 Drawing Sheets



(56)

References Cited

U.S. PATENT DOCUMENTS

D661,941 S * 6/2012 Averty D7/330
D663,993 S * 7/2012 Prevete D7/330
D667,677 S * 9/2012 Choi D7/330
D686,866 S * 7/2013 De'Longhi D7/330
D702,074 S * 4/2014 De'Longhi D7/330
D749,348 S * 2/2016 Carlson D7/330
D777,501 S * 1/2017 Lee D7/330
D792,147 S * 7/2017 Averty D7/330
D796,248 S * 9/2017 De'Longhi D7/330
D798,098 S * 9/2017 Bournay, Jr. D7/330
D799,884 S * 10/2017 Rose D7/330
D838,534 S * 1/2019 Bodum D7/330
D859,856 S * 9/2019 Josancy D6/330
D886,506 S * 6/2020 Thun D7/330
2016/0166110 A1 * 6/2016 Barnes A23L 5/15
426/466

OTHER PUBLICATIONS

Classic Chrome 4 Slice Toaster, announced © 2020 [online],
retrieved Nov. 3, 2020, retrieved from internet, <https://hamiltonbeach.com/classic-chrome-4-slice-toaster-24790>.*

Hamilton Beach 24633 Extra-Wide Slot 4 Slice Bagel Toaster,
announced Jan. 3, 2020 [online], retrieved Nov. 3, 2020, retrieved
from internet, <https://www.webstaurantstore.com/hamilton-beach-24633-extra-wide-slot-4-slice-bagel-toaster/41224633.html>.*

Kroger, no announcement date [online], retrieved Nov. 3, 2020,
retrieved from internet, <https://www.kroger.com/product/images/xlarge/front/0004009424782>.*

* cited by examiner

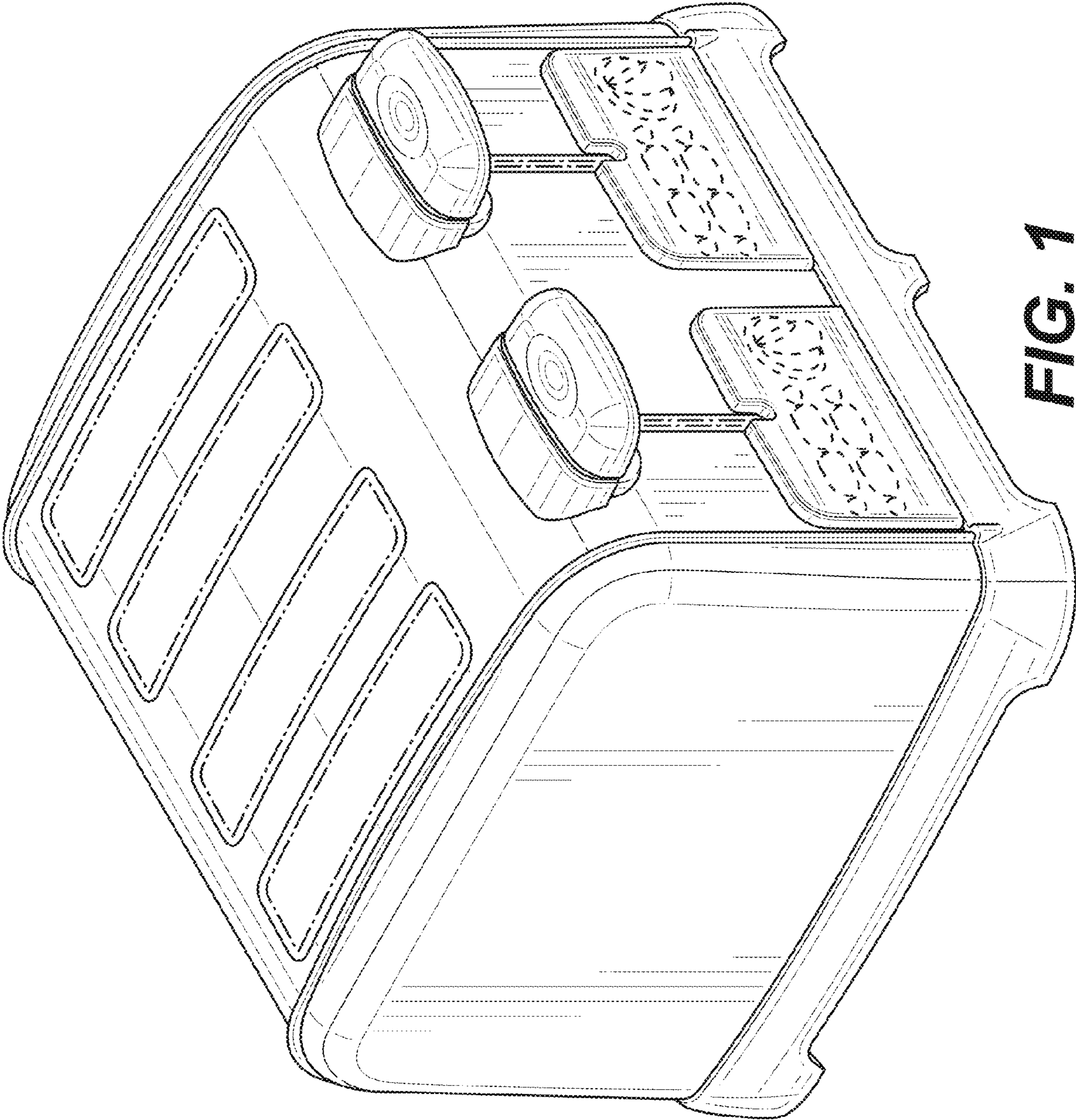


FIG. 1

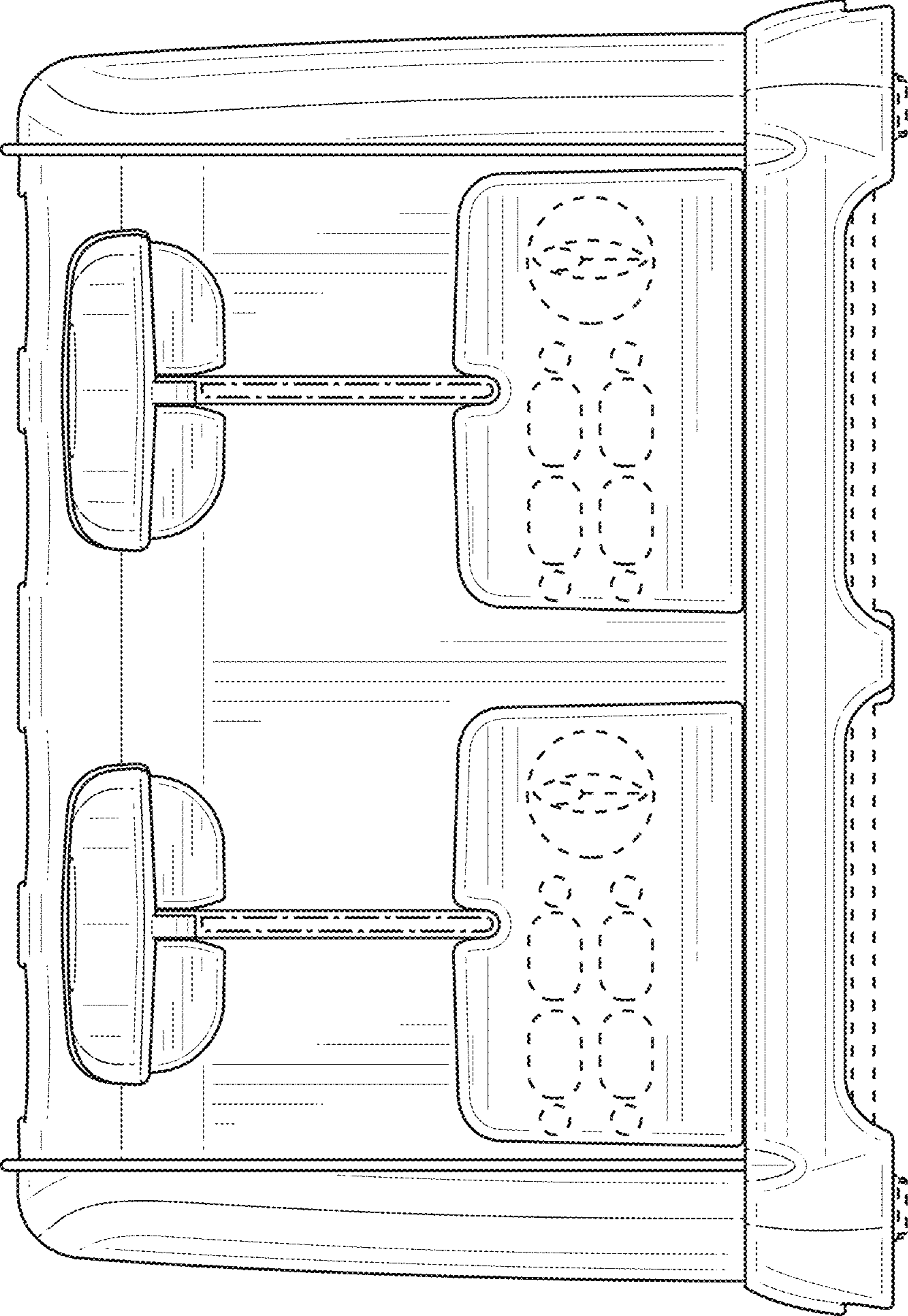


FIG. 2

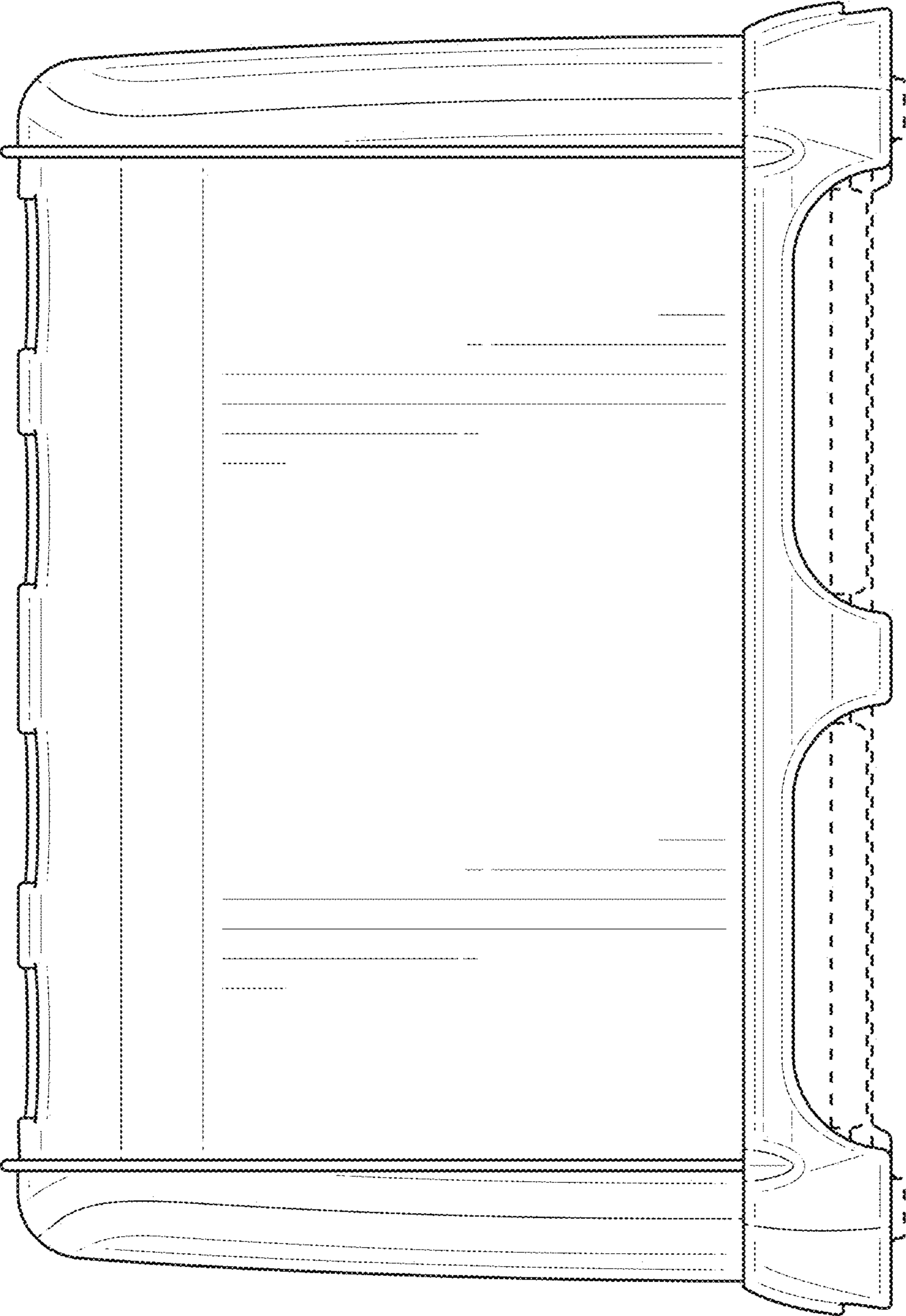


FIG. 3

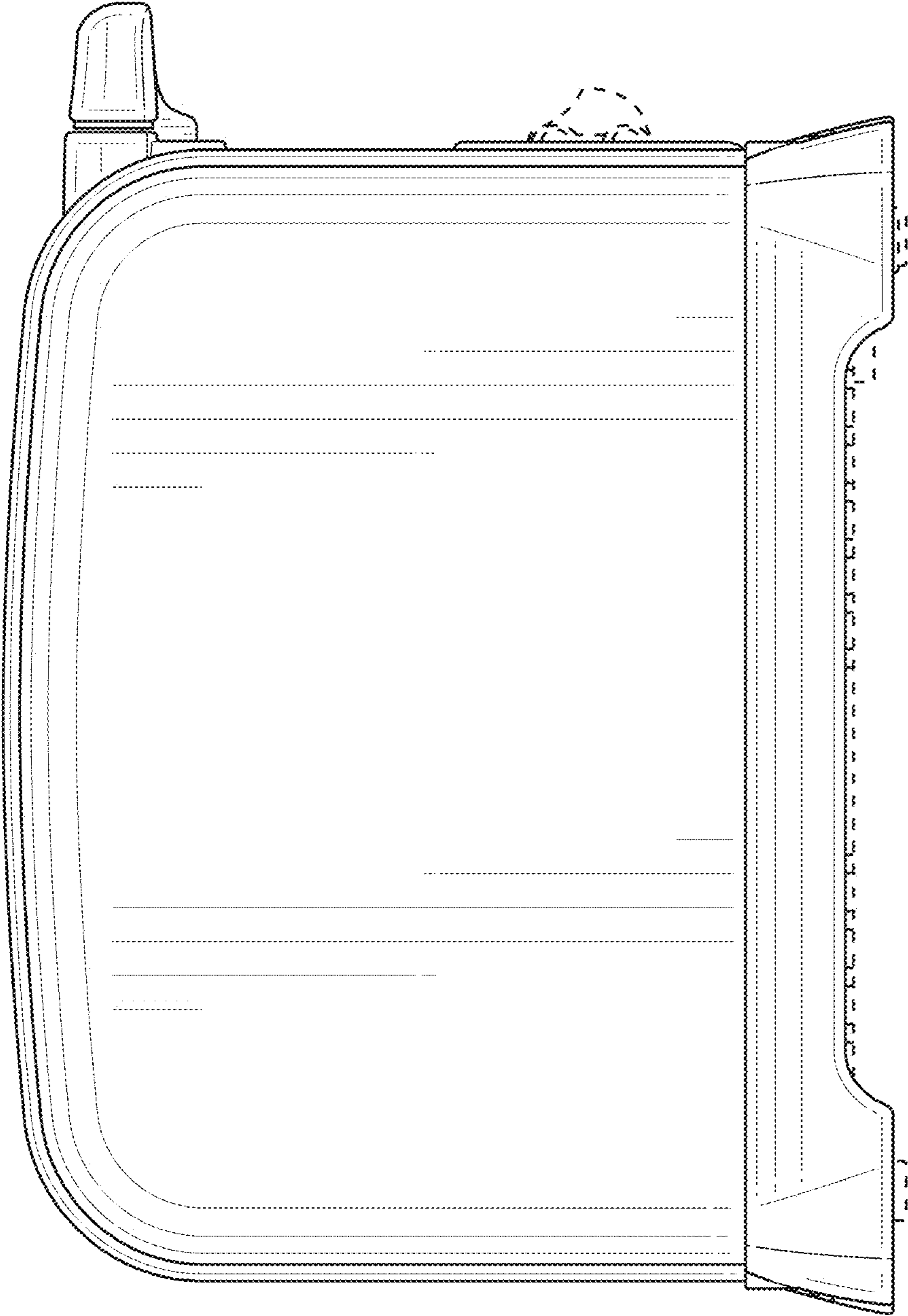


FIG. 4

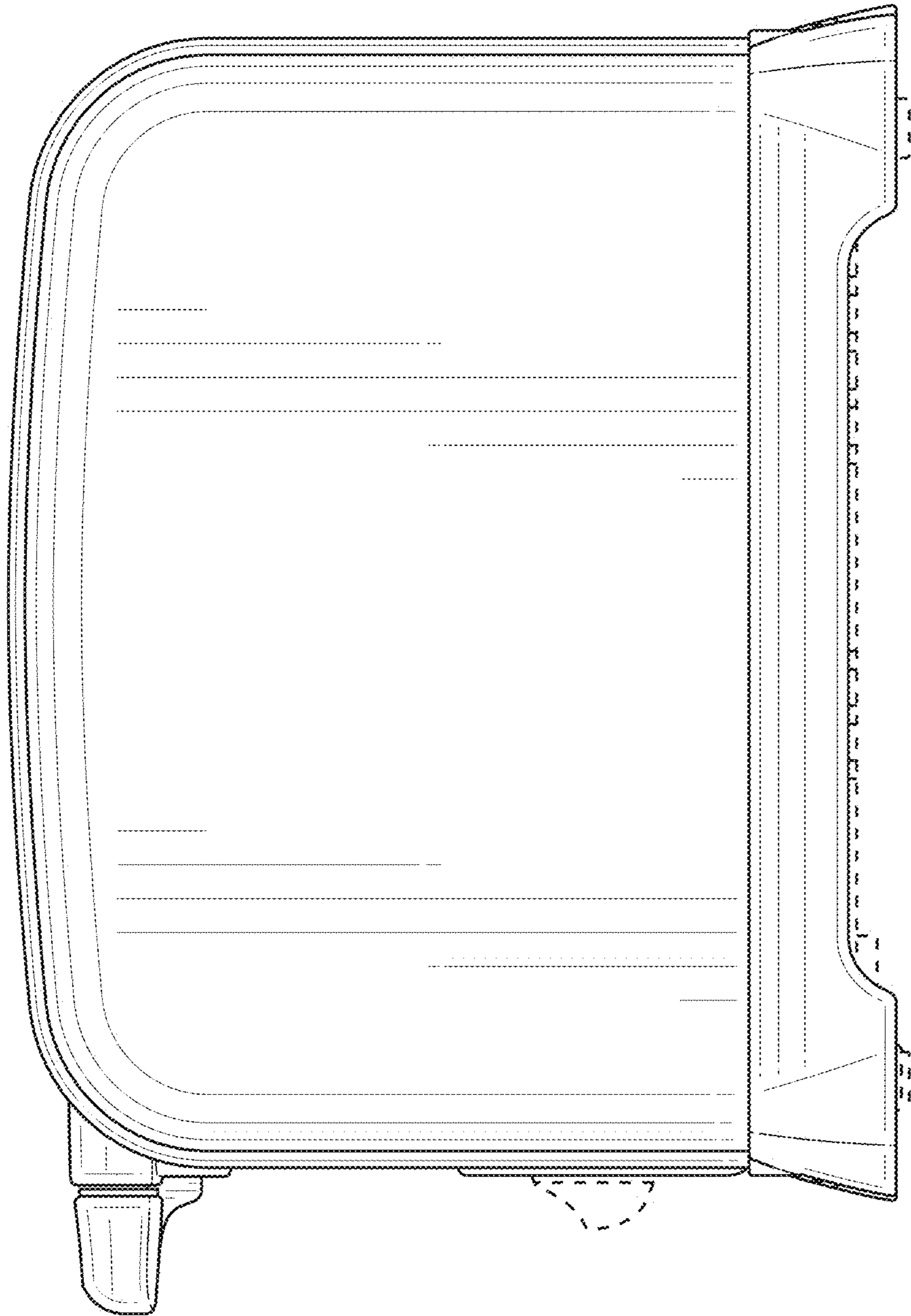


FIG. 5

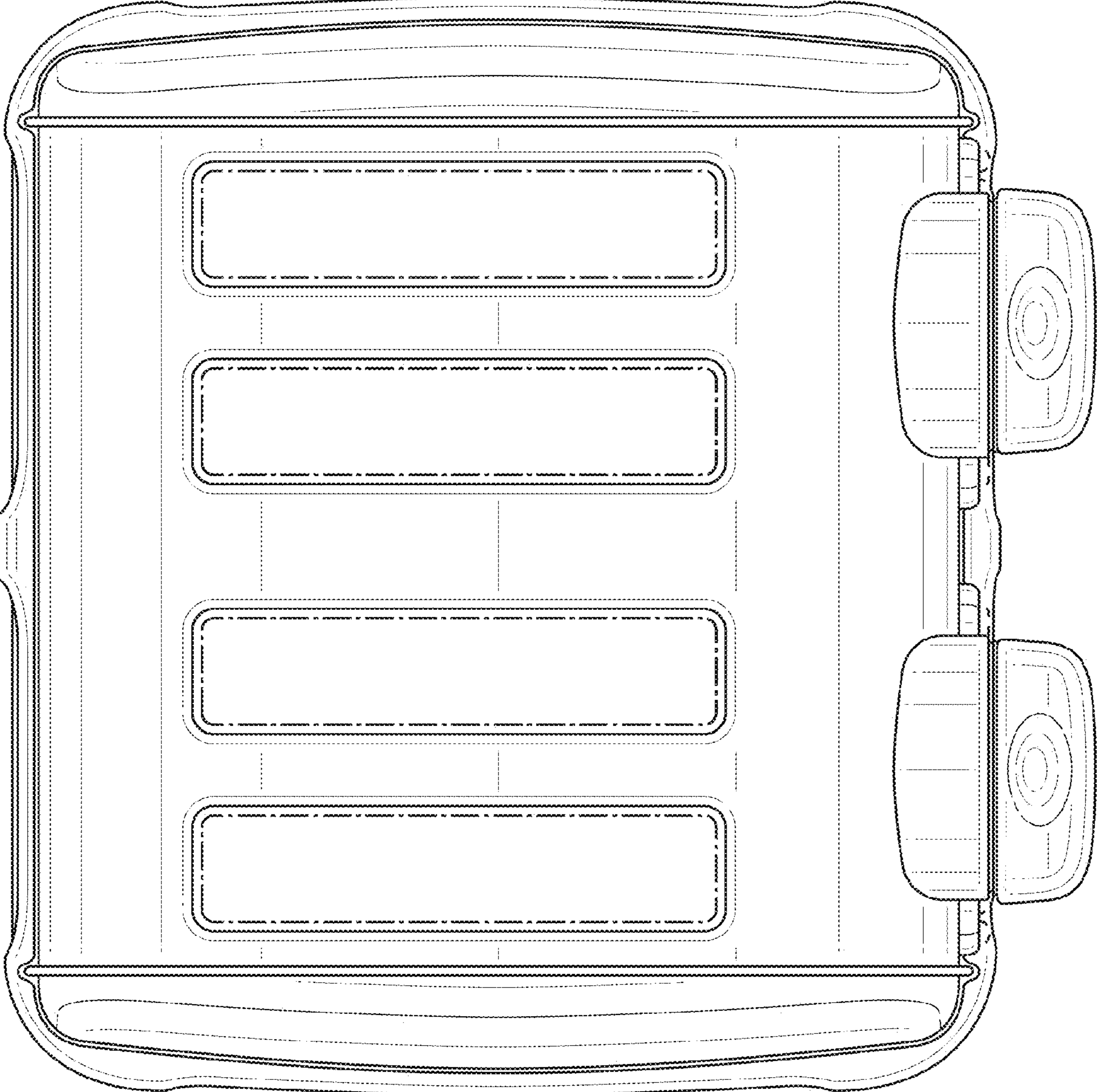


FIG. 6

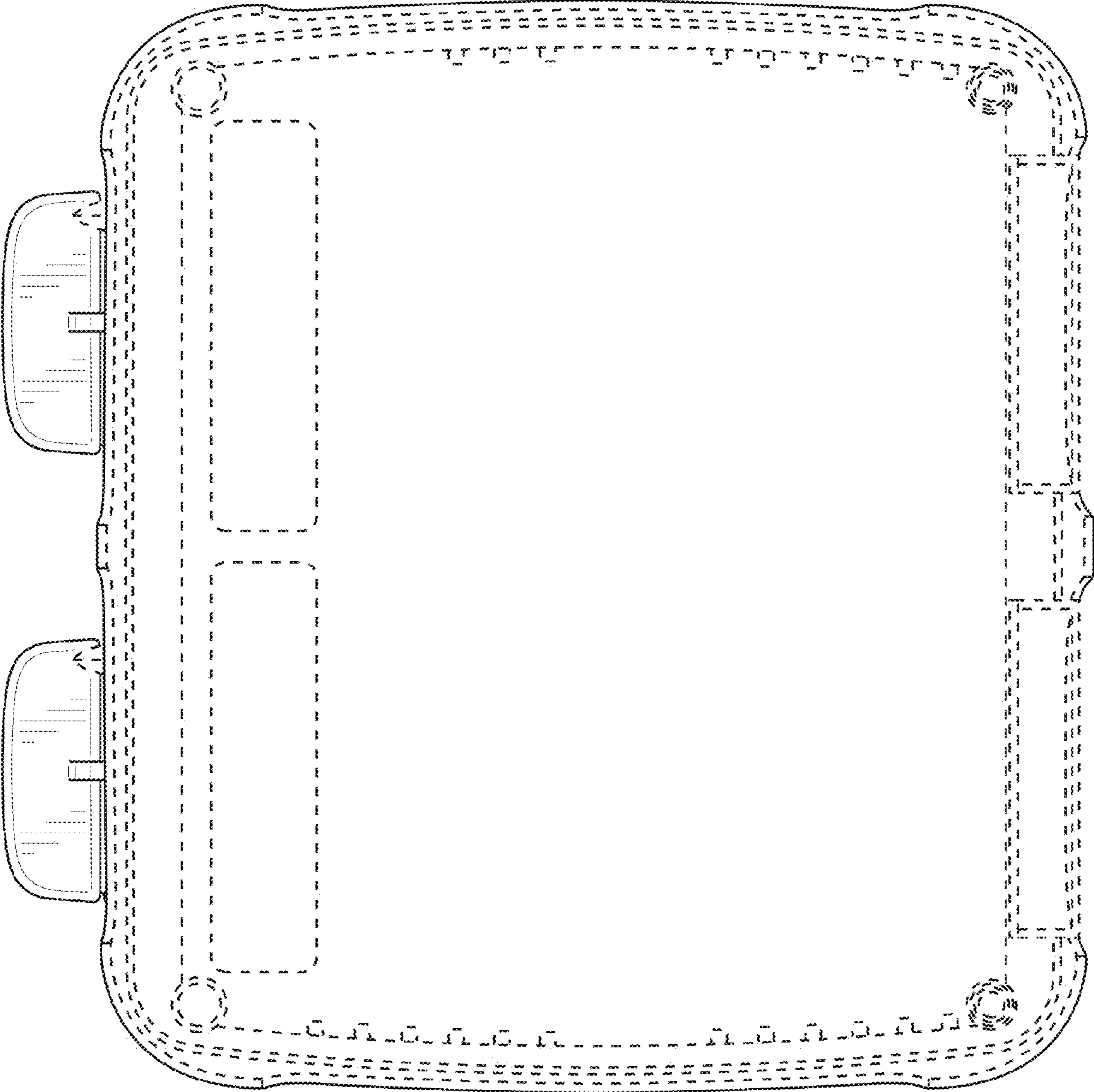


FIG. 7