



US00D921411S

(12) **United States Design Patent**
Kennedy et al.

(10) **Patent No.:** **US D921,411 S**
(45) **Date of Patent:** **** Jun. 8, 2021**

(54) **ENDBOARD**
(71) Applicant: **Stryker Corporation**, Kalamazoo, MI (US)
(72) Inventors: **Jeffrey Alan Kennedy**, Kalamazoo, MI (US); **Kyle Stephen Spieker**, Kalamazoo, MI (US); **Justin Benacquisto**, New Baltimore, MI (US)

D817,058 S * 5/2018 Newkirk A61B 5/1115
D6/718.3
D819,382 S * 6/2018 O'Neal D6/718.3
D826,616 S * 8/2018 Newkirk A61G 7/0507
D6/718.3
10,188,569 B2 1/2019 Elku et al.
D852,565 S * 7/2019 Zerhusen B60T 1/04
D6/718.3
2009/0307844 A1* 12/2009 Hornbach B60T 1/04
5/600
2019/0167499 A1 6/2019 Nahavandi et al.

(73) Assignee: **Stryker Corporation**, Kalamazoo, MI (US)

OTHER PUBLICATIONS

(**) Term: **15 Years**

Malvestio, "I.C.U. Bed", 2019, 2 pages.
Stryker "S3 MedSurg Bed Brochure", 2016, 2 pages.
Umano Medical, "Bariatric & Med-Surg Bed Specification Sheet", 2019, 1 page.

(21) Appl. No.: **29/685,705**

(Continued)

(22) Filed: **Mar. 29, 2019**

(51) **LOC (13) Cl.** **06-06**

Primary Examiner — Mary Ann Calabrese

(52) **U.S. Cl.**
USPC **D6/718.3**

(74) *Attorney, Agent, or Firm* — Howard & Howard
Attorneys PLLC

(58) **Field of Classification Search**
USPC D6/391-392, 718.3
CPC A47G 7/00; A47G 7/005; A47G 7/015;
A47G 7/0506; A47G 7/0507; A47G
7/0513; A47G 7/0514; A47C 21/08
See application file for complete search history.

(57) **CLAIM**

The ornamental design for an endboard, as shown and described.

DESCRIPTION

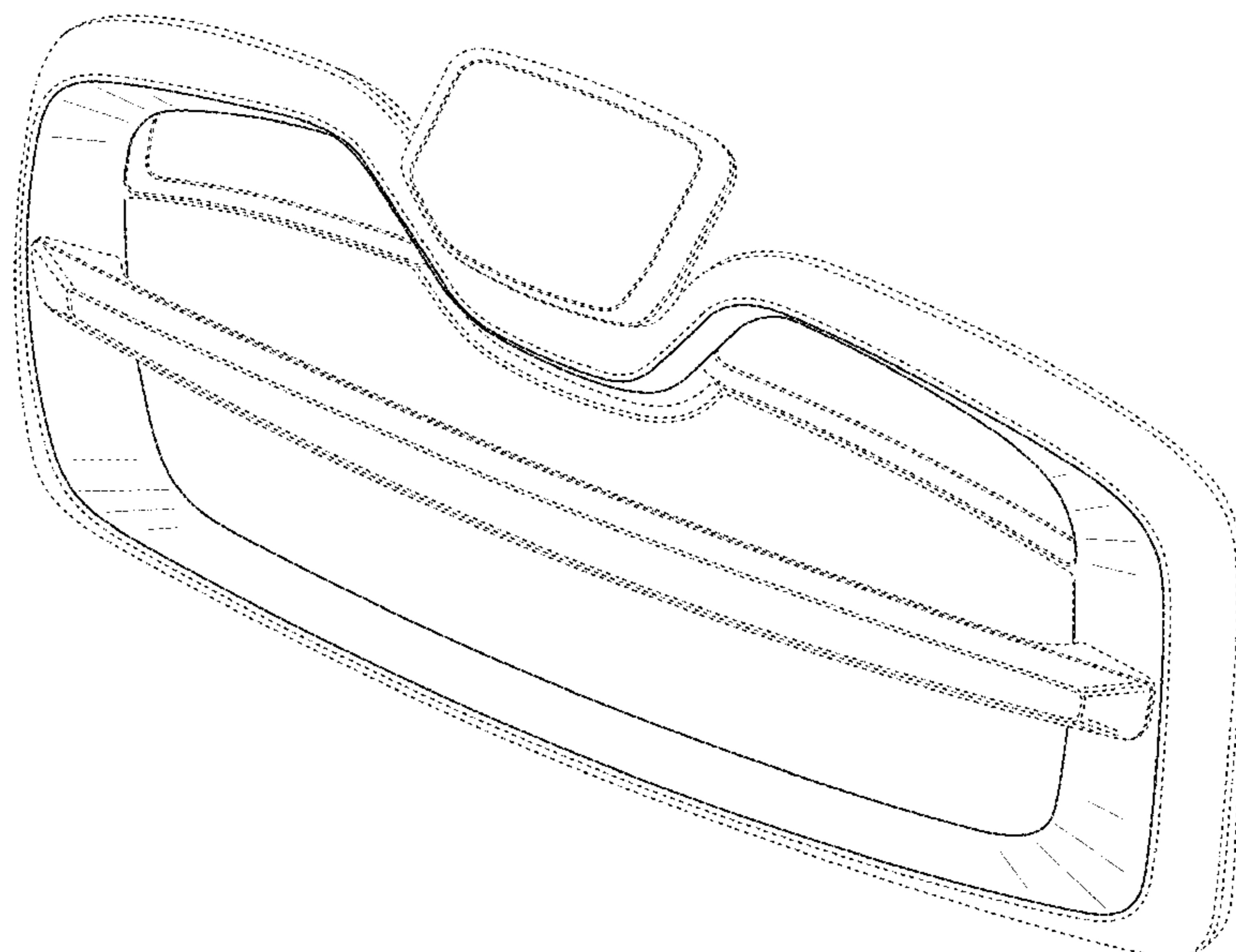
(56) **References Cited**

U.S. PATENT DOCUMENTS

D479,070 S * 9/2003 Goodwin A61G 7/0507
D6/718.3
D514,565 S 2/2006 Haygood
7,253,366 B2* 8/2007 Bhai A61B 5/1115
177/144
7,296,312 B2* 11/2007 Menkedick A61B 5/1115
5/611
D706,427 S * 6/2014 Leng D24/183
D710,510 S * 8/2014 Leng D24/184
9,615,983 B2 4/2017 Stryker et al.

FIG. 1 is a top front, right side, perspective view of an endboard showing our new design.
FIG. 2 is a top back, left side, perspective view thereof.
FIG. 3 is a front view thereof.
FIG. 4 is a right side view thereof.
FIG. 5 is a left side view thereof.
FIG. 6 is a back view thereof.
FIG. 7 is a top view thereof; and,
FIG. 8 is a bottom view thereof.
The broken lines in FIGS. 1 through 8 depict portions of the endboard and form no part of the claimed design.

1 Claim, 6 Drawing Sheets



(56)

References Cited

OTHER PUBLICATIONS

Umano Medical, “Ook Snow—A Bed That Does It All Webpage and Video”, <https://www.umanomedical.com/en-us/its/ook-snow-all>, 2019, 3 pages.

Malvestio, “Vivo ICU Bed”, <http://pdf.medicaexpo.com/pdf/malvestio-furniture-healthcare-facilities/vivo-icu-bed/68854-184906.html>, 2019, 2 pages.

Soundstream Technologies, “Soundstream Products Catalog”, 2017, 27 pages.

Samson Design, “Hospital Bed—Smart User Experience Webpage”, <http://samsondesign.com/portfolio/hospital-bed>, 2019, 1 page.

* cited by examiner

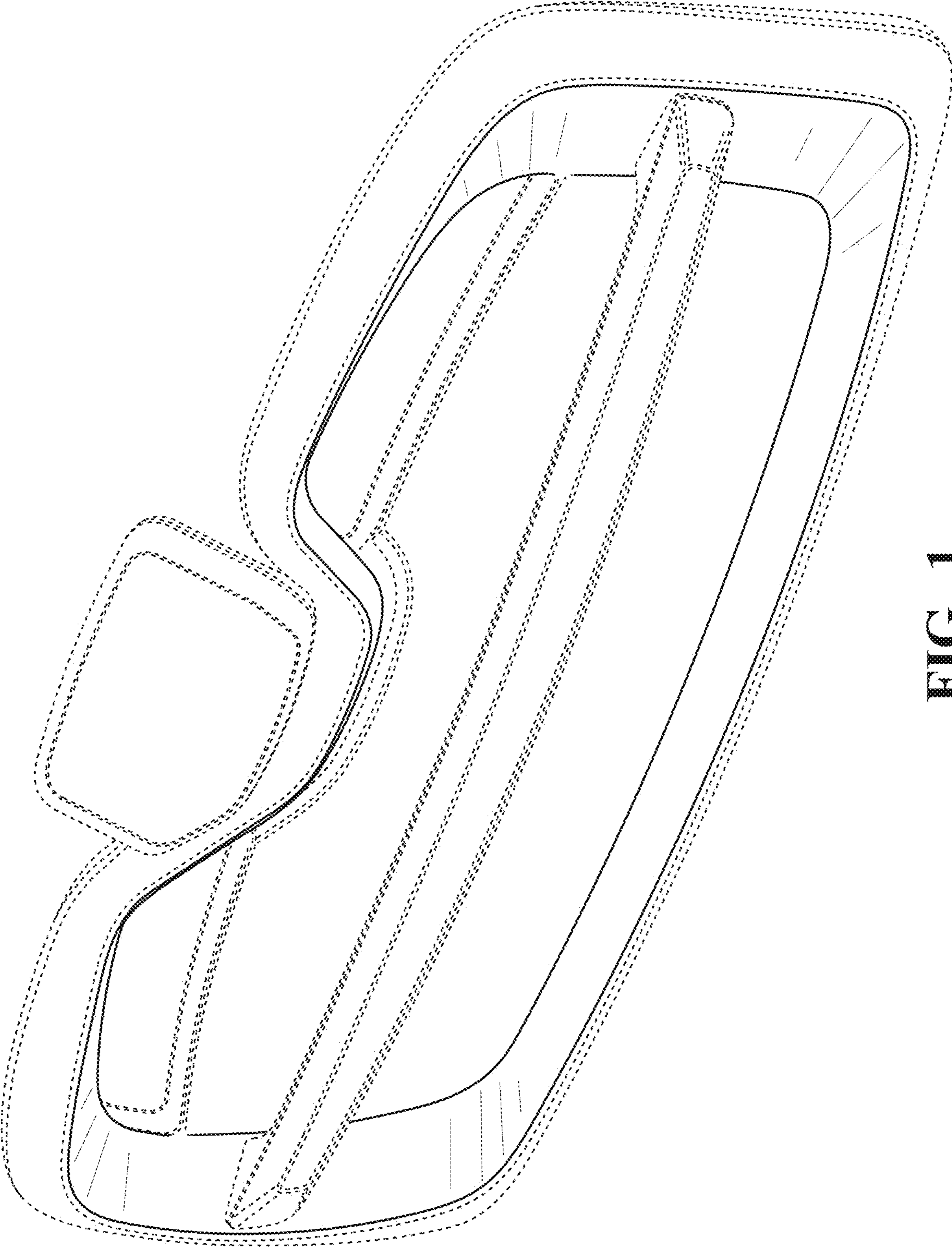


FIG. 1

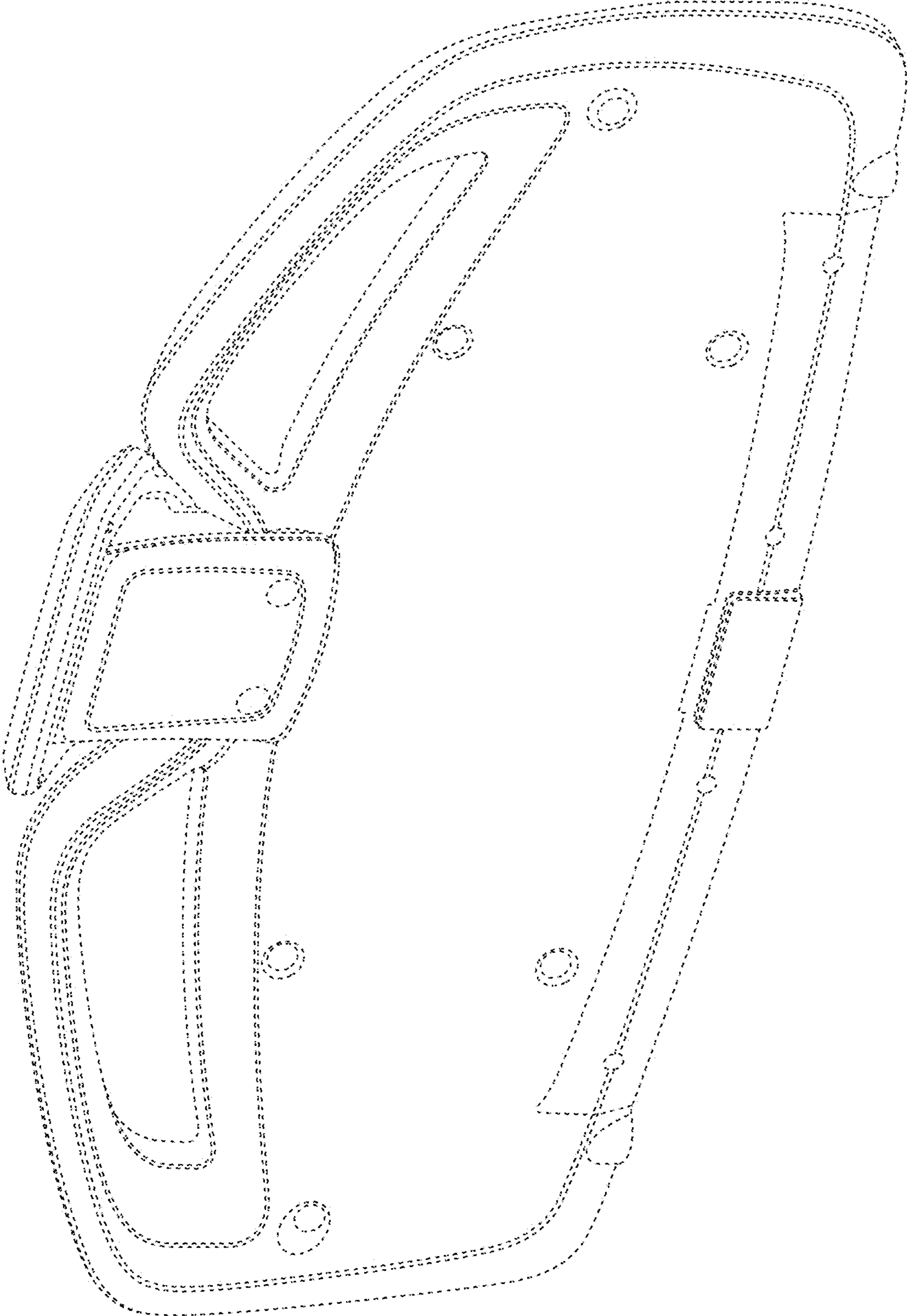


FIG. 2

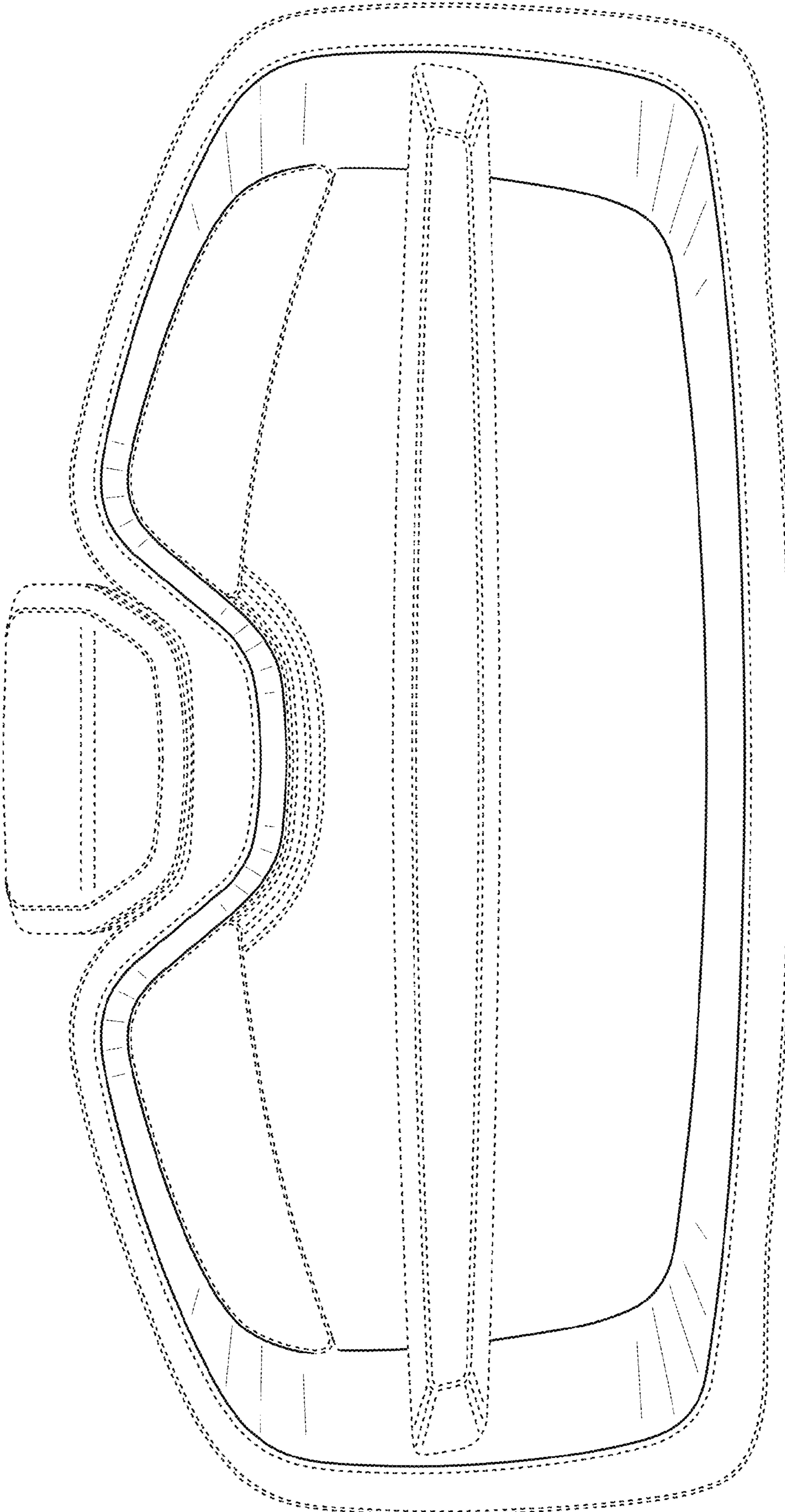


FIG. 3

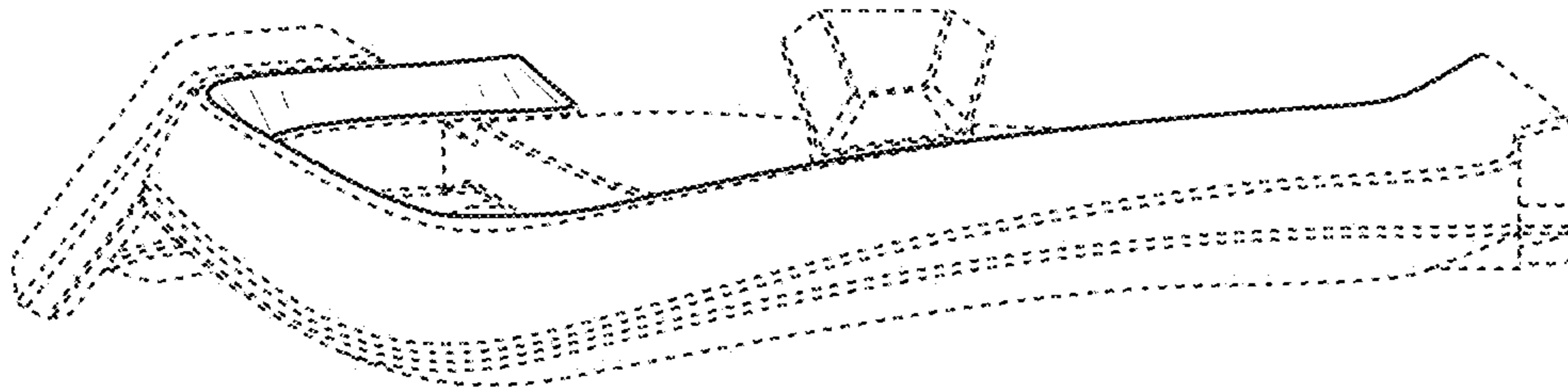


FIG. 5

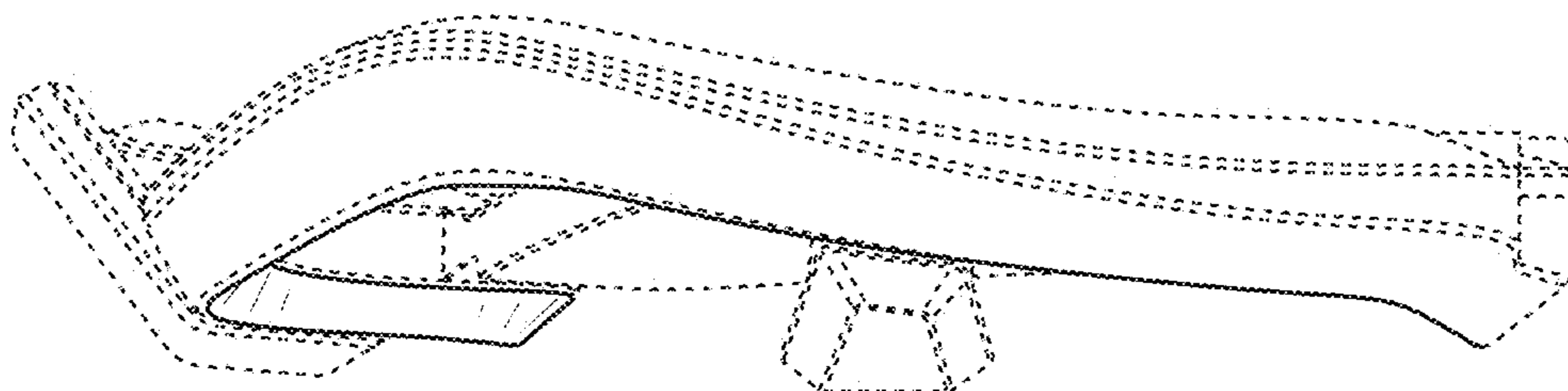


FIG. 4

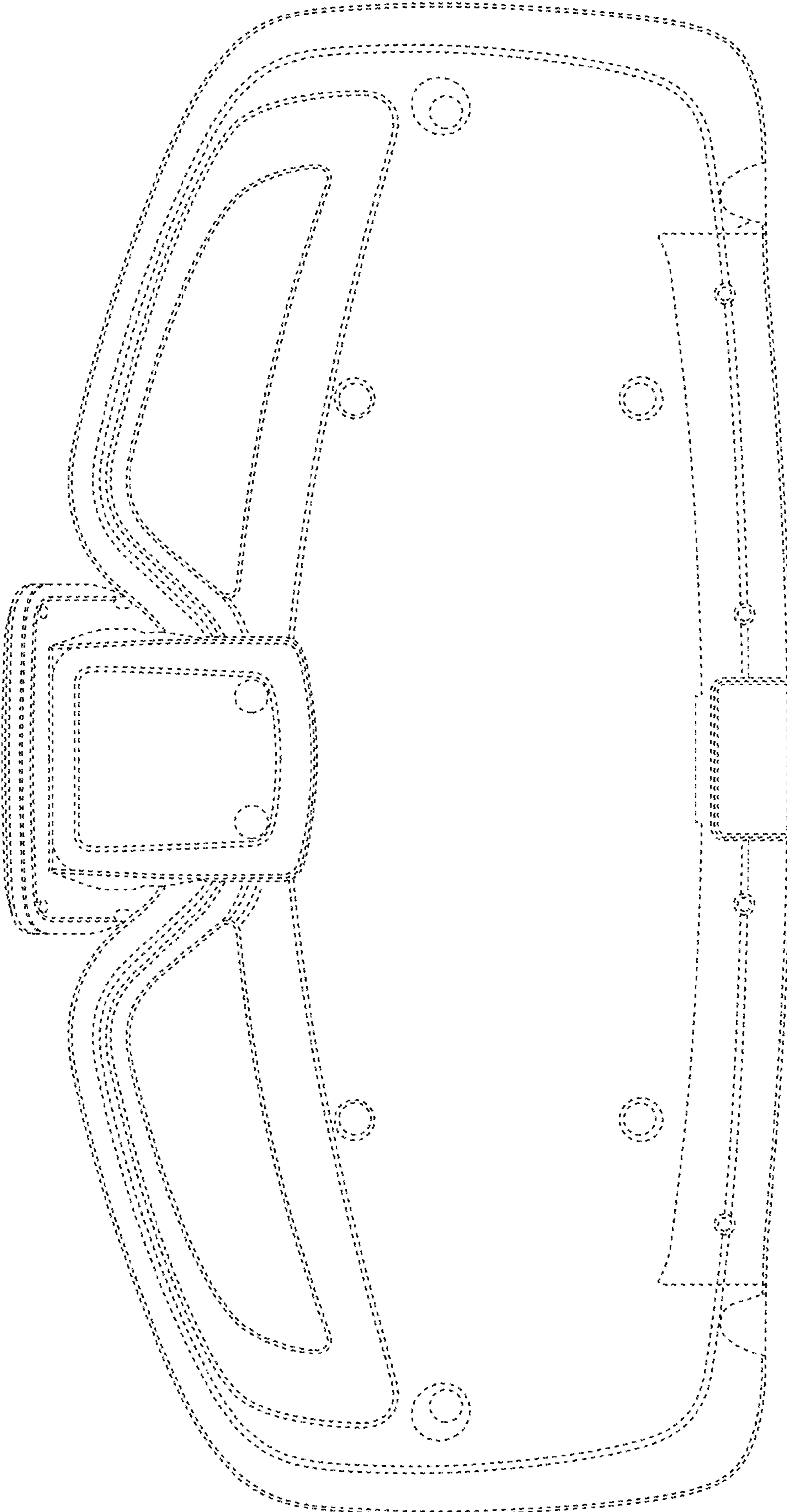


FIG. 6

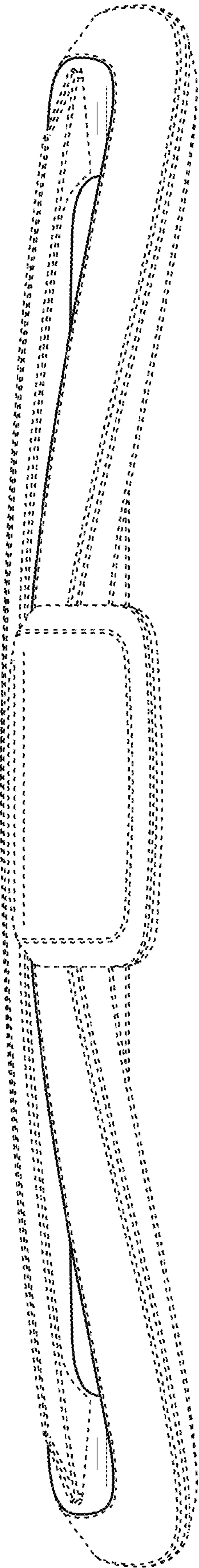


FIG. 7

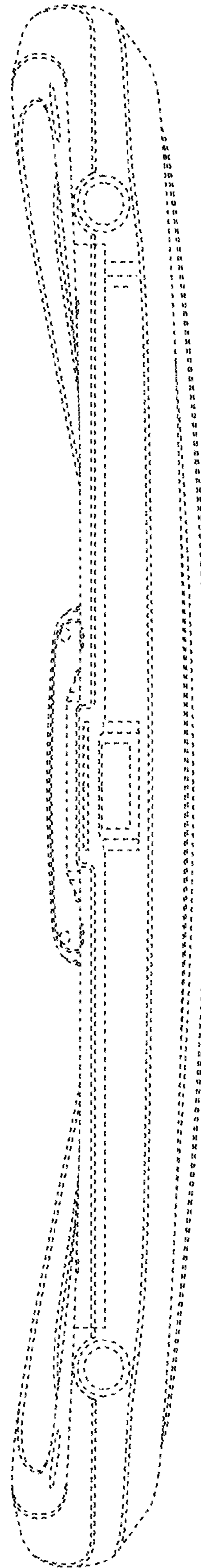


FIG. 8