



US00D921410S

(12) **United States Design Patent**
Deevers et al.

(10) **Patent No.:** **US D921,410 S**
(45) **Date of Patent:** **** Jun. 8, 2021**

- (54) **CHAIR**
- (71) Applicant: **Steelcase Inc.**, Grand Rapids, MI (US)
- (72) Inventors: **Nickolaus William Charles Deevers**, Holland, MI (US); **Bruce Smith**, Grand Rapids, MI (US); **Mark Spoelhof**, Grand Rapids, MI (US); **Kurt R. Heidmann**, Grand Rapids, MI (US); **Pascal Hien**, Radebeul (DE)
- (73) Assignee: **Steelcase Inc.**, Grand Rapids, MI (US)
- (**) Term: **15 Years**
- (21) Appl. No.: **29/714,582**
- (22) Filed: **Nov. 25, 2019**

- 3,652,809 A 3/1972 Dickopp et al.
 - 3,653,233 A 4/1972 Titone
 - 3,709,559 A 1/1973 Rowland
 - 3,720,568 A 3/1973 Rowland
 - 3,724,402 A 4/1973 Thyberg et al.
- (Continued)

FOREIGN PATENT DOCUMENTS

- CN 2256246 Y 6/1997
 - CN 10149202 10/2007
- (Continued)

OTHER PUBLICATIONS

- Dolla et al., "Structural and Drug Diffusion Models of Conventional and Auxetic Drug-Eluting Stents" Research Paper dated Aug. 3, 2006, pp. 1-32.
- (Continued)

Related U.S. Application Data

- (63) Continuation of application No. 29/628,527, filed on Dec. 5, 2017, now Pat. No. Des. 869,890, and a continuation-in-part of application No. 29/628,528, filed on Dec. 5, 2017, now Pat. No. Des. 870,479.
- (51) **LOC (13) Cl.** **06-01**
- (52) **U.S. Cl.**
USPC **D6/716; D6/366**
- (58) **Field of Classification Search**
USPC D6/334-336, 364, 365, 366, 374, 375, D6/379, 380, 716, 716.1, 716.2, 716.4
CPC A47C 7/002; A47C 7/004; A47C 7/02; A47C 7/18; A47C 7/24; A47C 7/282; A47C 7/285; A47C 7/40; A47C 7/44; A47C 7/54
See application file for complete search history.

- Primary Examiner* — Mimosa De
- (74) *Attorney, Agent, or Firm* — Brinks Gilson & Lione

(57) **CLAIM**

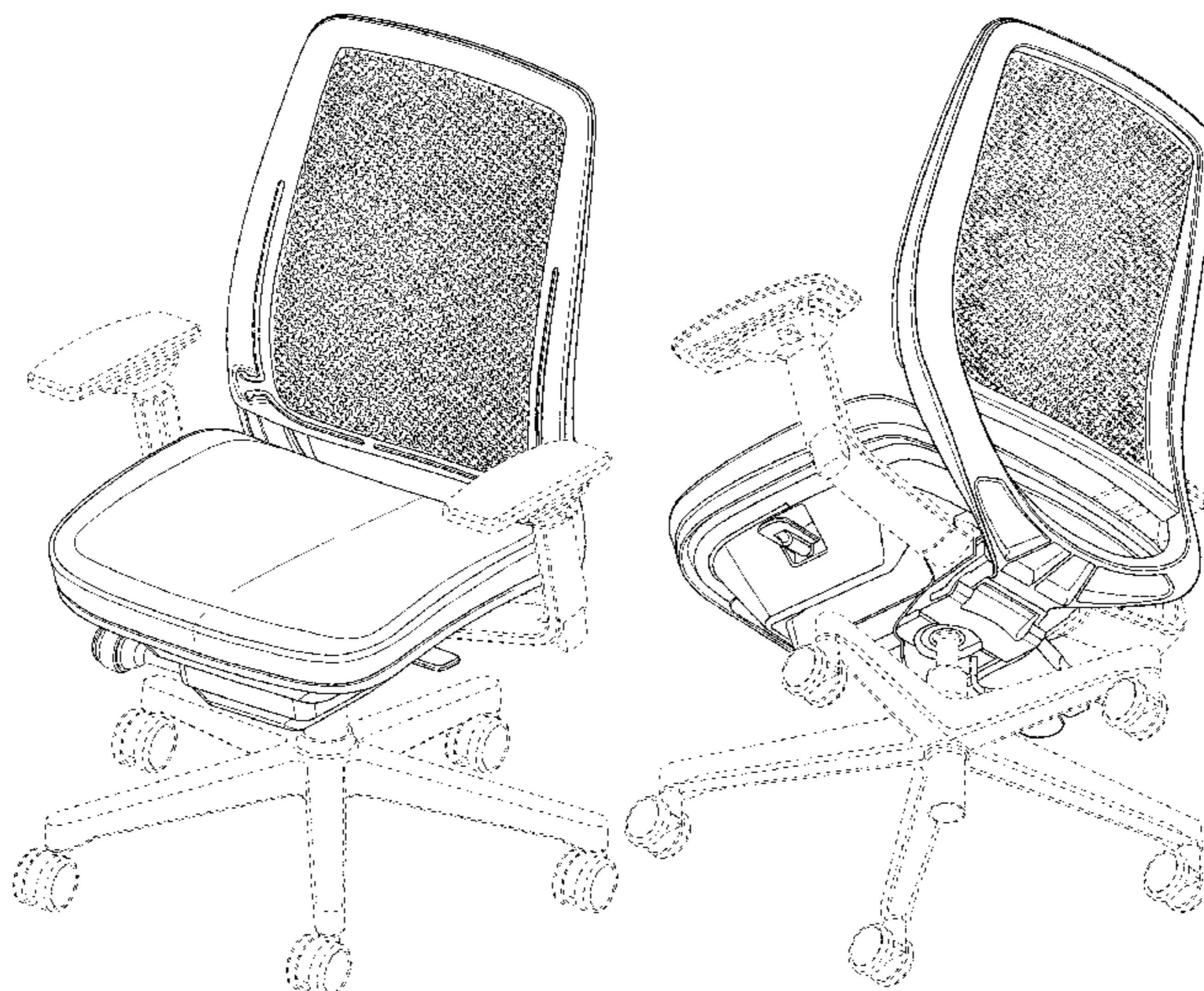
We claim the ornamental design for a chair, as shown and described.

DESCRIPTION

FIG. 1 is a top upper perspective view of a chair; FIG. 2 is a top plan view thereof; FIG. 3 is a bottom plan view thereof; FIG. 4 is a rear elevation view thereof; FIG. 5 is a front elevation view thereof; FIG. 6 is a right side elevation view thereof; FIG. 7 is a left side elevation view thereof; and, FIG. 8 is a rear lower perspective view thereof. The ornamental design which is claimed is shown in solid lines in the drawings. The broken lines shown in the drawing are for the purpose of illustrating environmental structure and form no part of the claimed design.

1 Claim, 8 Drawing Sheets

- (56) **References Cited**
U.S. PATENT DOCUMENTS
2,678,685 A 5/1954 Volsk
2,726,713 A 12/1955 Turner
3,559,978 A 2/1971 Molt



(56)

References Cited

U.S. PATENT DOCUMENTS

3,767,261 A 10/1973 Rowland
 3,774,967 A 11/1973 Rowland
 3,843,477 A 10/1974 Rowland
 3,948,558 A 4/1976 Obermeier et al.
 4,502,728 A 3/1985 Sheldon et al.
 D279,244 S 6/1985 Bergquist
 4,574,100 A 3/1986 Mercer
 4,634,178 A 1/1987 Carney
 4,668,557 A 5/1987 Lakes
 4,680,215 A 7/1987 Mercer
 4,718,724 A 1/1988 Quinton et al.
 5,154,485 A 10/1992 Fleishman
 5,269,631 A 12/1993 Mercer et al.
 5,711,575 A 1/1998 Hand et al.
 5,747,140 A 5/1998 Heerklotz
 5,791,933 A 8/1998 Saka et al.
 5,863,095 A 1/1999 Rivard et al.
 5,871,258 A 2/1999 Battey et al.
 5,934,758 A 8/1999 Ritch et al.
 5,951,109 A 9/1999 Roslund, Jr. et al.
 6,035,901 A 3/2000 Stumpf et al.
 6,062,649 A 5/2000 Nagel et al.
 6,079,785 A 6/2000 Peterson et al.
 D437,501 S 2/2001 Rehmert et al.
 6,189,972 B1 2/2001 Chu et al.
 6,286,900 B1 9/2001 Roark
 6,299,248 B1 10/2001 Gennaro et al.
 D451,293 S 12/2001 Su
 6,354,662 B1 3/2002 Su
 6,412,593 B1 7/2002 Jones
 6,419,318 B1 7/2002 Albright
 6,471,294 B1 10/2002 Dammermann et al.
 D471,042 S 3/2003 Schmitz et al.
 6,550,866 B1 4/2003 Su
 6,568,760 B2 5/2003 Davis et al.
 6,572,190 B2 6/2003 Koepke et al.
 6,575,530 B1 6/2003 Fischer et al.
 6,626,497 B2 9/2003 Nagamitsu et al.
 6,644,752 B2 11/2003 Takata
 6,709,060 B1 3/2004 Su
 6,726,285 B2 4/2004 Caruso et al.
 D489,191 S 5/2004 Ma
 6,729,691 B2 5/2004 Koepke et al.
 6,733,080 B2 5/2004 Stumph et al.
 D494,792 S 8/2004 Schmitz et al.
 6,805,405 B2 10/2004 Koo
 6,874,852 B2 4/2005 Footitt
 6,890,030 B2 5/2005 Wilkerson et al.
 6,957,861 B1 10/2005 Chou et al.
 D513,134 S 12/2005 Asano et al.
 D513,457 S 1/2006 Asano et al.
 6,981,743 B2 1/2006 Edwards et al.
 D521,755 S 5/2006 Kinoshita et al.
 7,059,682 B2 6/2006 Caruso et al.
 7,213,886 B2 5/2007 Schmitz et al.
 7,234,773 B2 6/2007 Raftery et al.
 7,247,265 B2 7/2007 Alderson et al.
 7,249,802 B2 7/2007 Schmitz et al.
 7,252,870 B2 8/2007 Anderson et al.
 7,275,793 B2 10/2007 Fujita et al.
 7,303,232 B1 12/2007 Chen
 D558,995 S 1/2008 Igarashi
 7,344,194 B2 3/2008 Maier et al.
 7,347,495 B2 3/2008 Beyer et al.
 D571,568 S 6/2008 Overthun et al.
 7,406,733 B2 8/2008 Coffield et al.
 7,419,215 B2 9/2008 Wilkerson et al.
 7,441,758 B2 10/2008 Coffield et al.
 7,455,365 B2 11/2008 Caruso et al.
 7,472,962 B2 1/2009 Caruso et al.
 7,484,802 B2 2/2009 Beyer et al.
 D591,969 S 5/2009 Overthun et al.
 D600,462 S * 9/2009 Ooki D6/366
 7,604,298 B2 10/2009 Peterson et al.
 7,647,714 B2 1/2010 Coffield et al.

D613,085 S 4/2010 Fujita
 D613,086 S 4/2010 Fujita
 7,712,834 B2 5/2010 Knoblock et al.
 7,731,295 B2 6/2010 Lin
 7,740,321 B2 6/2010 Brill et al.
 7,794,017 B2 9/2010 Kan et al.
 7,794,022 B2 9/2010 Caruso et al.
 7,841,665 B2 11/2010 Geister et al.
 7,857,388 B2 12/2010 Bedford et al.
 7,887,131 B2 2/2011 Chadwick et al.
 7,931,257 B2 4/2011 VanDeRiet et al.
 D648,554 S 11/2011 Smith
 D655,522 S 3/2012 Czumaj-Bront et al.
 8,157,329 B2 4/2012 Masoud et al.
 D660,612 S 5/2012 Smith
 8,172,332 B2 5/2012 Masunaga et al.
 8,186,761 B2 5/2012 Brill et al.
 8,191,970 B2 6/2012 Igarashi et al.
 D665,589 S 8/2012 Wagner
 D666,841 S 9/2012 Czumaj-Bront et al.
 8,297,708 B2 10/2012 Mizobata et al.
 D671,330 S 11/2012 Izawa
 D671,332 S 11/2012 Izawa
 D673,394 S 1/2013 Hurford
 8,436,508 B2 5/2013 Kornbluh et al.
 8,449,037 B2 5/2013 Behar et al.
 D686,833 S 7/2013 Chan
 D687,641 S 8/2013 Barrell
 8,534,648 B2 9/2013 Coffield et al.
 D695,537 S 12/2013 Geelen
 8,652,602 B1 2/2014 Dolla
 D701,068 S 3/2014 Usumoto et al.
 D710,640 S 8/2014 Usumoto et al.
 8,926,016 B2 1/2015 Behar et al.
 D726,431 S 4/2015 Ye
 D733,446 S 7/2015 Izawa et al.
 D741,099 S 10/2015 Igarashi et al.
 9,155,393 B2 10/2015 Hurford et al.
 9,192,237 B2 11/2015 Bachar
 9,211,014 B2 12/2015 Schmitz et al.
 9,301,615 B2 4/2016 Behar et al.
 9,332,851 B2 5/2016 Machael et al.
 9,486,079 B2 11/2016 Romero
 D773,199 S * 12/2016 Neil D6/366
 D782,240 S 3/2017 Wada
 9,603,451 B2 3/2017 Masunaga et al.
 D793,141 S 8/2017 Igarashi
 D834,844 S 12/2018 Chan et al.
 D869,890 S * 12/2019 Deevers D6/716.4
 D870,479 S * 12/2019 Deevers D6/366
 10,813,463 B2 * 10/2020 Deevers A47C 7/40
 D907,423 S * 1/2021 Cross D6/716.4
 2002/0021040 A1 2/2002 Caruso et al.
 2004/0140701 A1 7/2004 Schmitz et al.
 2005/0025948 A1 2/2005 Johnson et al.
 2005/0146193 A1 7/2005 Shieh
 2006/0022506 A1 2/2006 Chan
 2006/0267258 A1 11/2006 Coffield et al.
 2006/0286359 A1 12/2006 Coffield et al.
 2007/0031667 A1 2/2007 Hook et al.
 2008/0011021 A1 1/2008 Starbuck et al.
 2008/0248710 A1 10/2008 Wittner
 2009/0020931 A1 1/2009 Coffield et al.
 2009/0239049 A1 9/2009 Hook et al.
 2011/0046715 A1 2/2011 Ugbolue et al.
 2011/0282452 A1 11/2011 Koerner et al.
 2012/0007400 A1 1/2012 Behar et al.
 2012/0129416 A1 5/2012 Anand et al.
 2015/0190269 A1 7/2015 Lenoble et al.
 2015/0296989 A1 10/2015 Machael et al.
 2015/0320220 A1 11/2015 Eberlein et al.
 2016/0135603 A1 5/2016 Chan et al.

FOREIGN PATENT DOCUMENTS

CN 202932442 U 5/2013
 CN 203524214 U 4/2014
 DE 102016010929 4/2017
 GB 1224810 3/1971

(56)

References Cited

FOREIGN PATENT DOCUMENTS

JP	3974636	6/2007	
JP	2008/000364	1/2008	
JP	2008/237332	10/2008	
JP	4462227	2/2010	
JP	2014/054578	3/2014	
KR	10-1575774	12/2015	
KR	10-1649795	11/2016	
WO	WO 1988/00523	1/1988	
WO	WO 1991/01210	2/1991	
WO	WO 2000/53330	9/2000	
WO	WO 2004/032686	4/2004	
WO	WO 2004/088015	10/2004	
WO	WO 2004/104315	12/2004	
WO	WO 2007/133458	11/2007	
WO	WO 2009/002479	12/2008	
WO	WO 2010/049511	5/2010	
WO	WO 2012/171911	12/2012	
WO	WO 2015/108143	7/2015	
WO	WO-2019112956 A1 *	6/2019 A47C 7/40

OTHER PUBLICATIONS

Dolla et al., Structural and Drug Diffusion Models of Conventional and Auxetic Drug-Eluting Stents, *Journal of Medical Devices*, vol. 1, Mar. 2007, downloaded from the Internet on Jan. 8, 2018, pp. 47-55.

Proceedings of NanoBio 2006, *Frontiers in Biomedical Devices Conference*, NanoBios2006-18035, Jun. 8-9, 2006, Irvine, California, U.S.A., pp. 1-2.

Alderson, A Triumph of Lateral Thought, *Chemistry & Industry*, dated May 17, 1999, pp. 384-391.

Roguin et al., BeStent—The Serpentine Balloon Expandable Stent: Review of Mechanical Properties and Clinical Experience, *Artif Organs*, vol. 22 (3), 1998, presented in part on Jun. 29-Jul. 1, 1997, in Providence, Rhode Island, U.S.A., pp. 243-249.

Dolla, Drug Diffusion and Structural Design Criteria for Conventional and Auxetic Drug-Eluting Stents, *Dissertation in Engineering and Chemistry*, 2006, pp. 1-149.

Hwang, et al. 2003, downloaded from the Internet on Oct. 26, 2014, "Impact of Transport and Drug Properties on the Local Pharmacology of Drug-Eluting Stents," *International Journal of Cardiovascular Interventions*, 5, pp. 7-12.

Walline, K.S., 2004, "Drug Delivery Coatings for Cardiovascular Stents: Silicone Elastomer and Thrombin Responsive Hydrogel Coatings," M.S. Thesis, University of Washington.

Windecker et al., 2003, "Sirolimus Eluting Stent: A New Era in Interventional Cardiology," *Current Pharmaceutical Design*, 9, pp. 1077-1094.

Lu et al., 2004, "Biaxial Incremental Homeostatic Elastic Modull of Coronary Artery: Two-Layers Model," *American Journal of Physiology—Heart*, vol. 287, pp. H1663-H1669.

Boulanger et al., 1998, "Poisson's ratio of Orthorhombic Materials," *Journal of Elasticity*, vol. 50, pp. 87-89.

Clark et al., 1994, "Negative Poisson's Ratios in Angle-Ply Laminates: Theory and Experiment," *Composites*, vol. 25, No. 9, pp. 863-868.

Evans et al., 2004, "The Design, Matching and Manufacture of Auxetic Carbon Fiber Laminates," *Journal of Composite Materials*, vol. 38, No. 2, pp. 95-106.

Hine et al., 1997, Negative Poisson's Ratios in Angle-Ply Laminates, *Journal of Materials Science Letters*, vol. 16, No. 7, pp. 541-544.

Lakes, R.S., 1987(a), Foam Structures with a Negative Poisson's Ratio, *Science*, vol. 235, pp. 1038-1040, dated Feb. 27, 1987.

Lakes, R.S. et al., 1993, Indentability of Conventional and Negative Poisson's Ratio Foams, *Journal of Composite Materials*, vol. 27, pp. 1193-1202.

Warren, T.L., 1990, "Negative Poisson's Ratio in a Transversely Isotropic Foam Structure," *Journal of Applied Physics*, vol. 67, No. 12, pp. 7591-7594, dated Jun. 15, 1990.

Baughman et al., "Negative Poisson's Ratios as a Common Feature of Cubic Metals," *Letters to Nature*, vol. 392, MacMillan Publishers Ltd., 1998; dated Mar. 26, 1998, pp. 362-365.

Choi et al., "Fracture Toughness of Renetrant Foam Materials with a Negative Poisson's Ratio: Experiment and Analysis," *Int. J. Fracture*, vol. 80, 1996, pp. 73-83.

Amir Yeganeh-Haeri et al. "Elasticity of #-Christobalite: A Silicon Dioxide with a Negative Poisson's Ratio," *Science*, vol. 257, No. 5070, pp. 650-652, dated Jul. 31, 1992.

Smardzewski et al., "Auxetic Spring Elements for Elastically Supporting a Sitting or Lying," Article, WULS-SGGW, *Forest and Wood Technology* 73, 2011, 9 pages.

Smardzewski, "Auxetic Springs for Seating," *Journal*, May 6, 2013, 8 pages, Poznan, Poland.

Smardzewski et al., "Design of Small Auxetic Springs for Furniture," 2 pgs.

* cited by examiner

Fig. 1

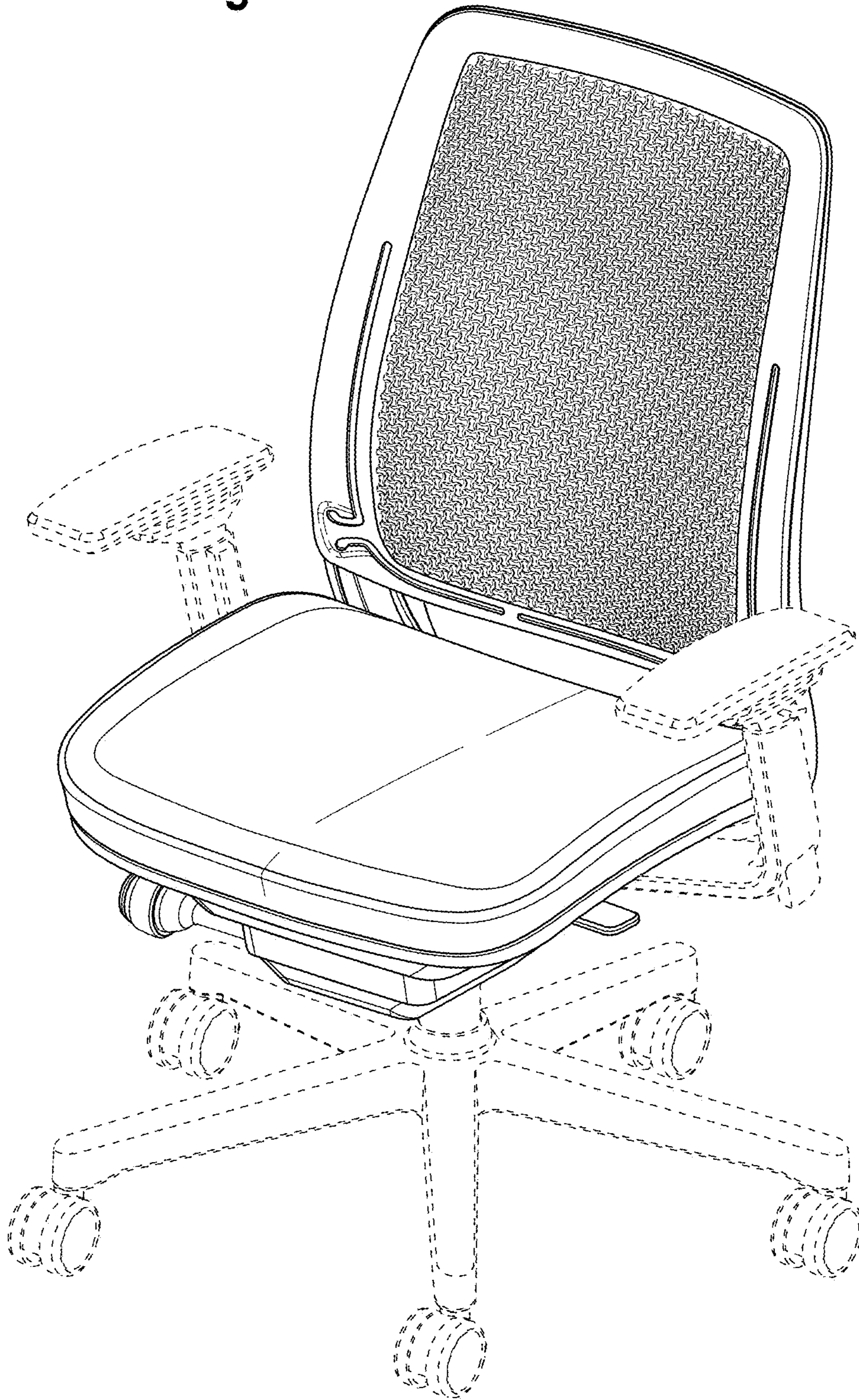


Fig. 2

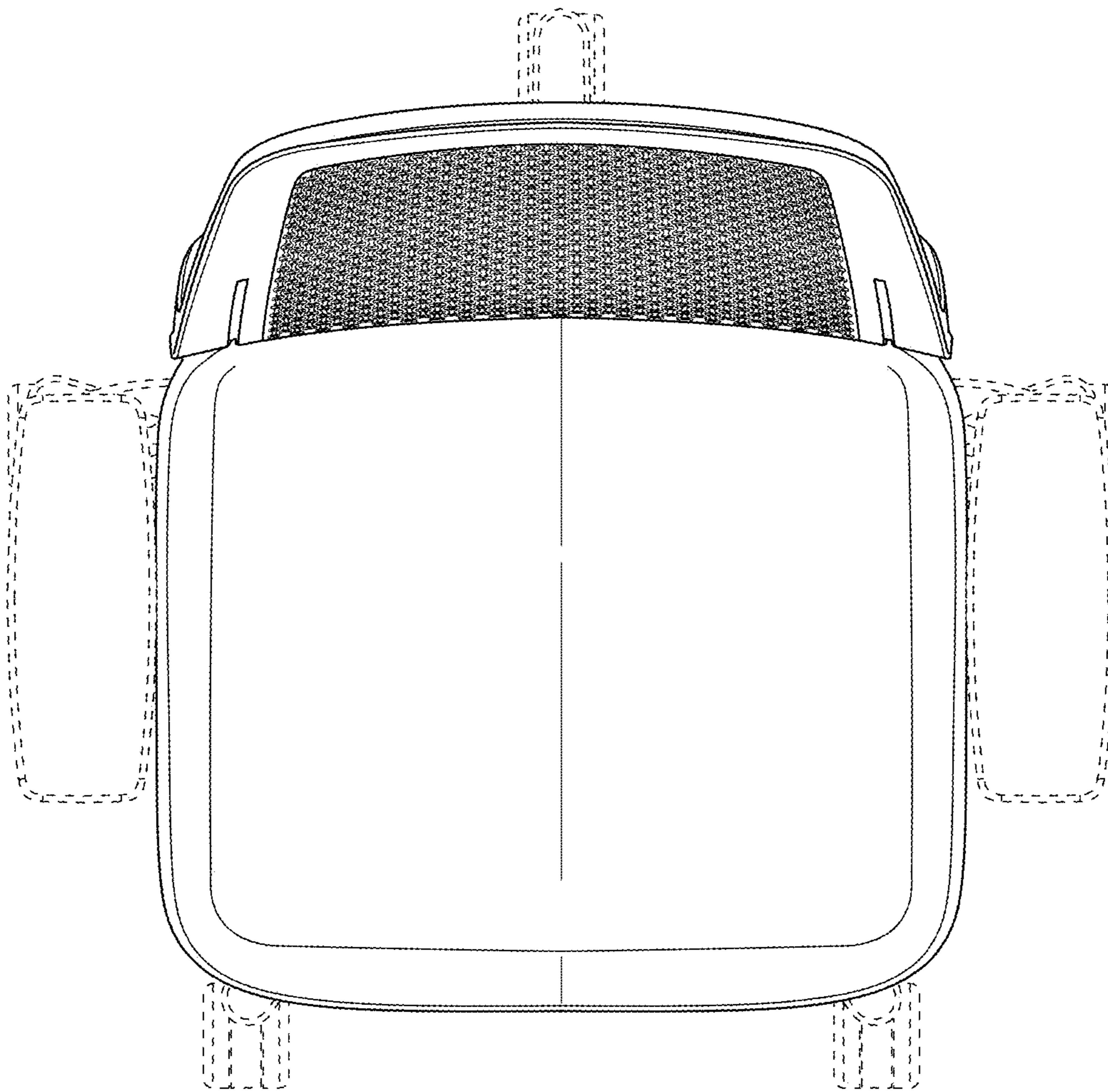


Fig. 3

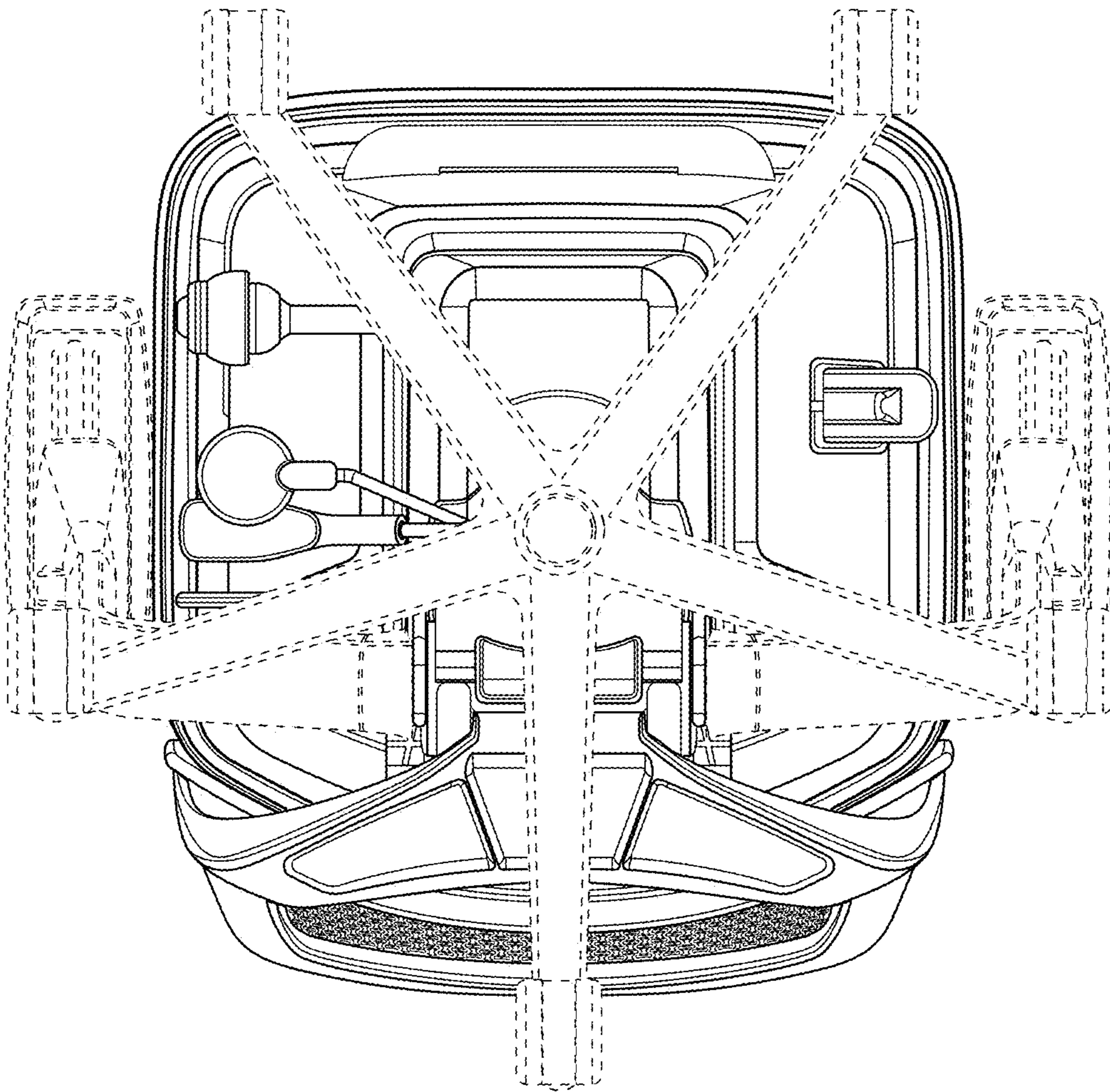


Fig. 4

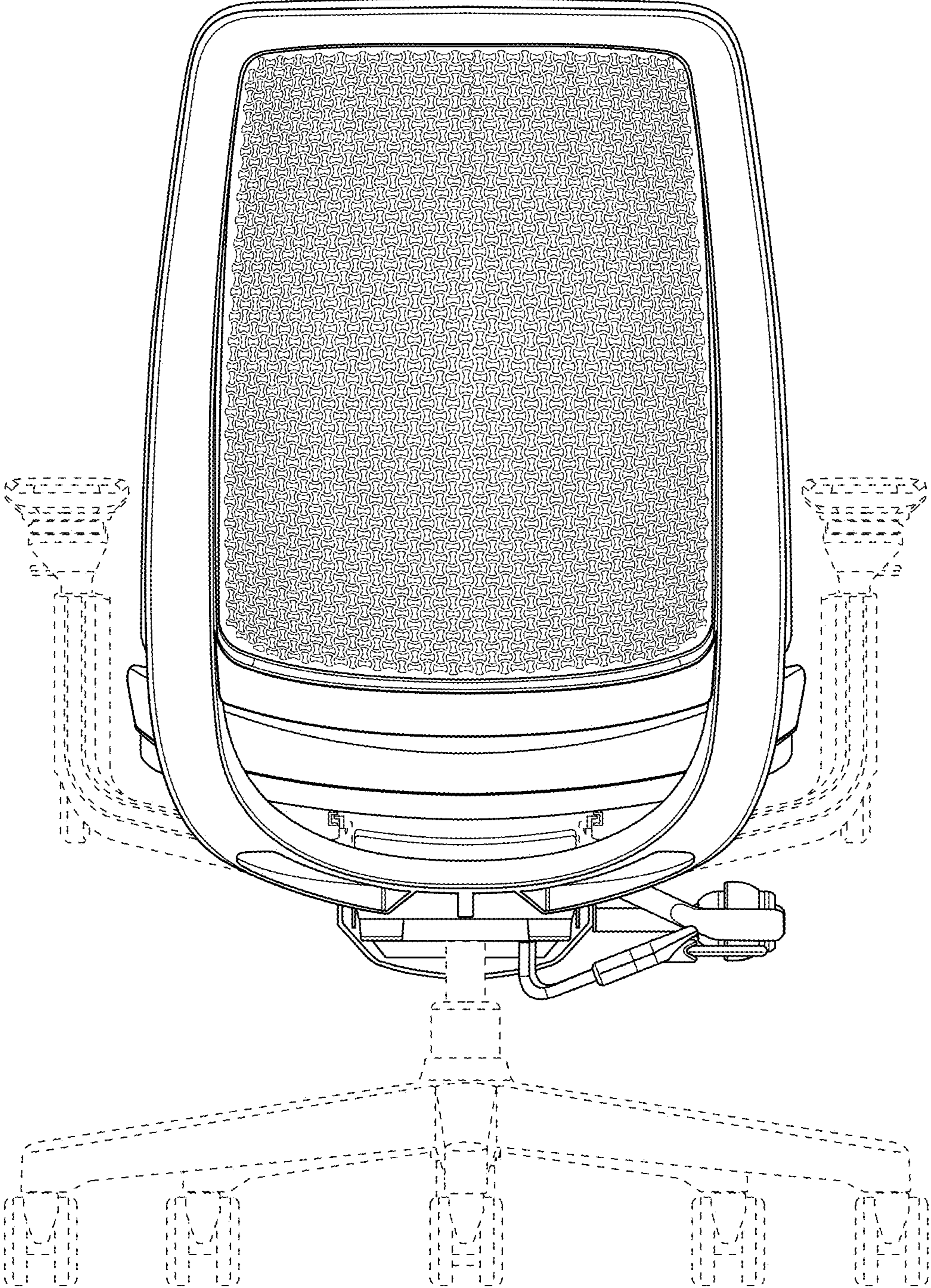


Fig. 5

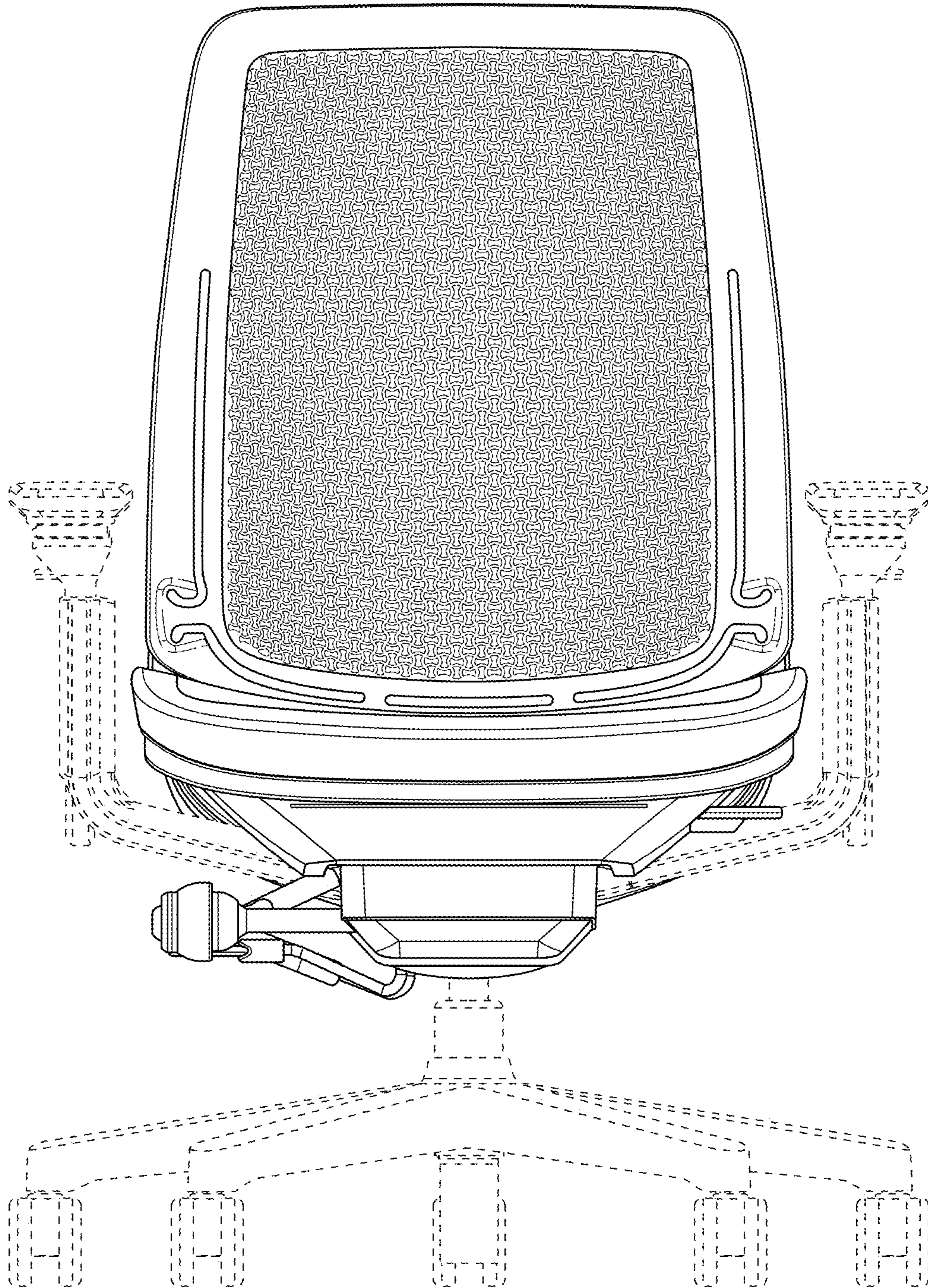


Fig. 6

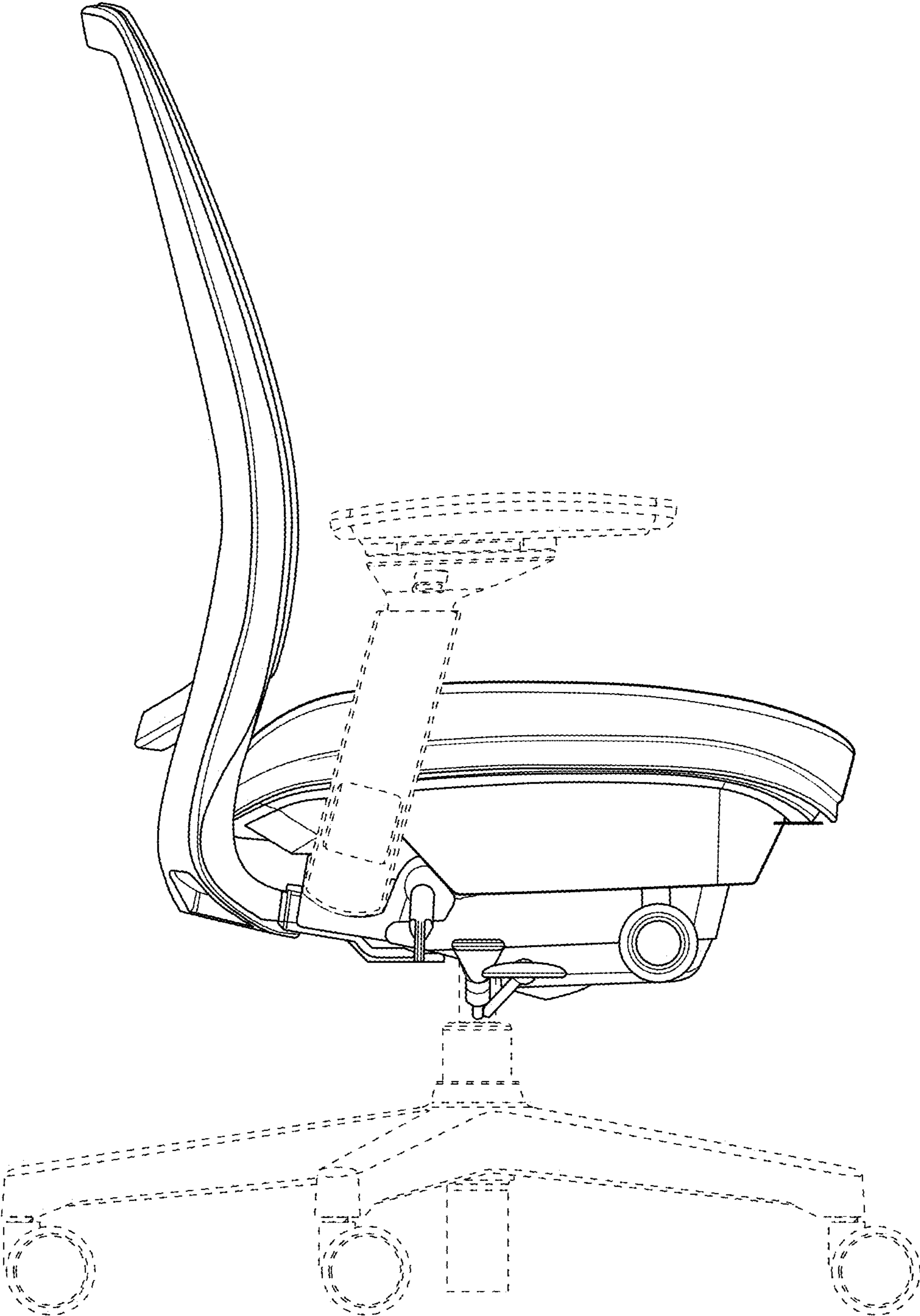


Fig. 7

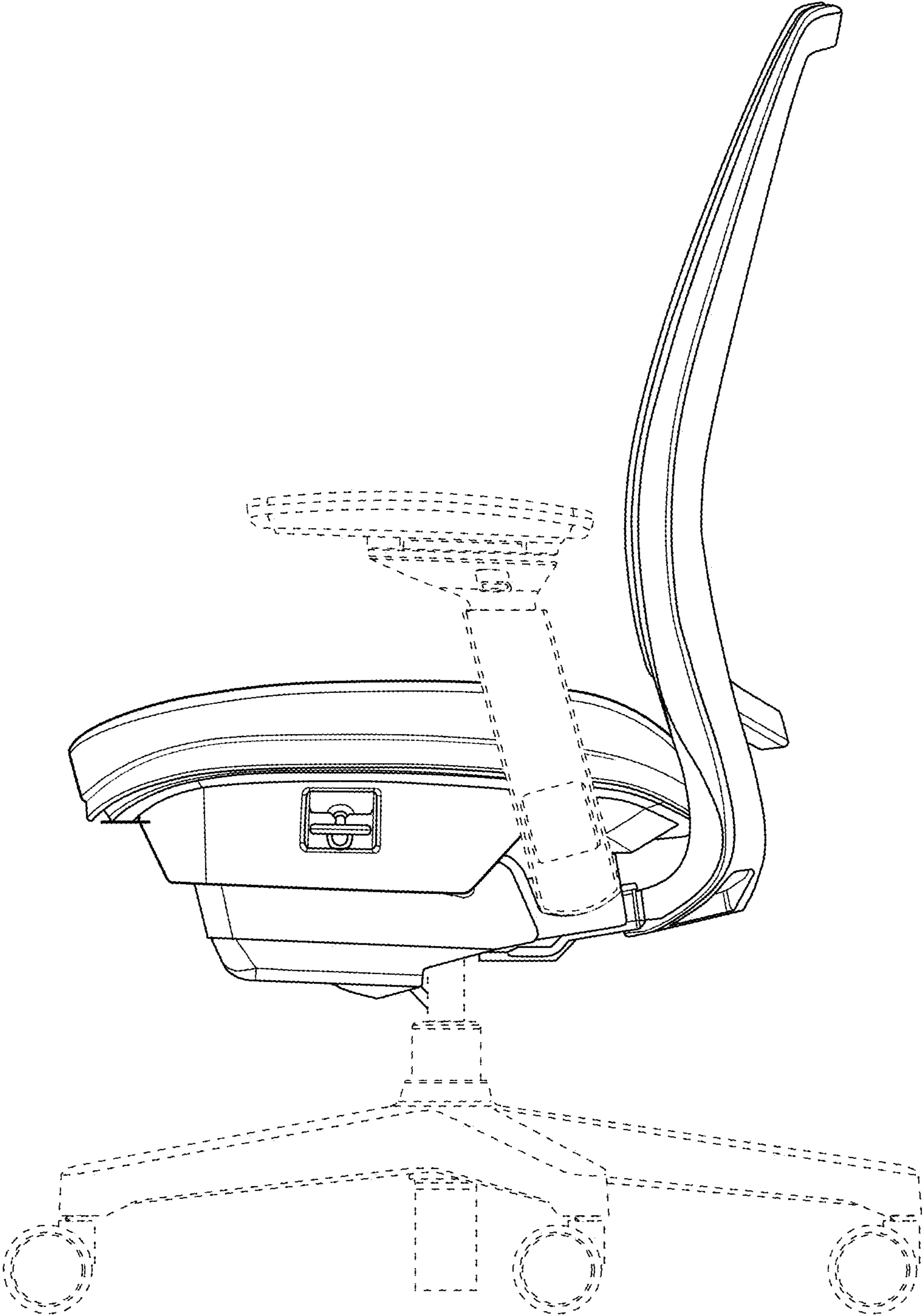


Fig. 8

